



US00D948767S

(12) **United States Design Patent**
Yu

(10) **Patent No.:** **US D948,767 S**

(45) **Date of Patent:** **** Apr. 12, 2022**

(54) **STAGE LIGHT**

(71) Applicant: **Xiaoe Yu**, Guangdong (CN)

(72) Inventor: **Xiaoe Yu**, Guangdong (CN)

(**) Term: **15 Years**

(21) Appl. No.: **29/740,868**

(22) Filed: **Jul. 8, 2020**

(51) **LOC (13) Cl.** **26-05**

(52) **U.S. Cl.**
USPC **D26/63; D26/61**

(58) **Field of Classification Search**
USPC D26/1, 24, 37, 51, 61–67, 72, 80, 85, 92,
D26/93, 102, 118–120, 38, 40, 46, 50, 28,
D26/29, 138, 139, 104–113; D16/239,
D16/244

CPC F21K 5/023; F21S 4/00; F21S 6/00; F21S
6/002; F21S 6/004; F21S 6/005; F21S
6/006; F21S 8/00; F21S 8/003; F21S
8/03; F21S 8/033; F21S 8/036; F21S
8/04; F21S 8/043; F21S 9/00; F21S 9/02;
F21S 10/00; F21S 13/02; F21V 14/02;
F21V 15/01; F21V 15/02; F21V 17/02;
F21V 21/00; F21V 21/02; F21V 21/06;
F21V 21/14; F21V 21/26; F21V 21/30;
F21W 2121/00; F21W 2131/30

See application file for complete search history.

(56) **References Cited**

U.S. PATENT DOCUMENTS

1,592,561	A	*	7/1926	Godley	F21S 41/29 362/339
3,949,350	A	*	4/1976	Smith	F21S 6/002 362/86
D405,213	S	*	2/1999	Chen	D26/108
D425,232	S	*	5/2000	Chang	D26/63
D689,221	S	*	9/2013	Isaac	D26/24
D814,090	S	*	3/2018	Deng	D26/63
D814,686	S	*	4/2018	Chen	D26/110

D815,769	S	*	4/2018	Gong	D26/63
D841,211	S	*	2/2019	Wang	D26/63
D845,530	S	*	4/2019	Yu	D26/63
D858,860	S	*	9/2019	Lin	D26/106
D860,492	S	*	9/2019	Wang	D26/41
D866,838	S	*	11/2019	Weishaupt	D26/63
D875,994	S	*	2/2020	Yu	D26/104

(Continued)

FOREIGN PATENT DOCUMENTS

CN	306133076	*	10/2020
GB	6094423	*	7/2020

OTHER PUBLICATIONS

LED flashing light Sound Activated Disco Ball, Nov. 12, 2017, YouTube, site visited Aug. 30, 2021, url: <https://www.youtube.com/watch?v=1EDeJUKmFPg> (Year: 2017).*

(Continued)

Primary Examiner — T Chase Nelson

Assistant Examiner — Rachel Wolfe

(57) **CLAIM**

The ornamental design for a stage light, as shown and described.

DESCRIPTION

FIG. 1 is a perspective view of a stage light showing my new design;

FIG. 2 is a front elevational view thereof;

FIG. 3 is a rear elevational view thereof;

FIG. 4 is a left side elevational view thereof;

FIG. 5 is a right side elevational view thereof;

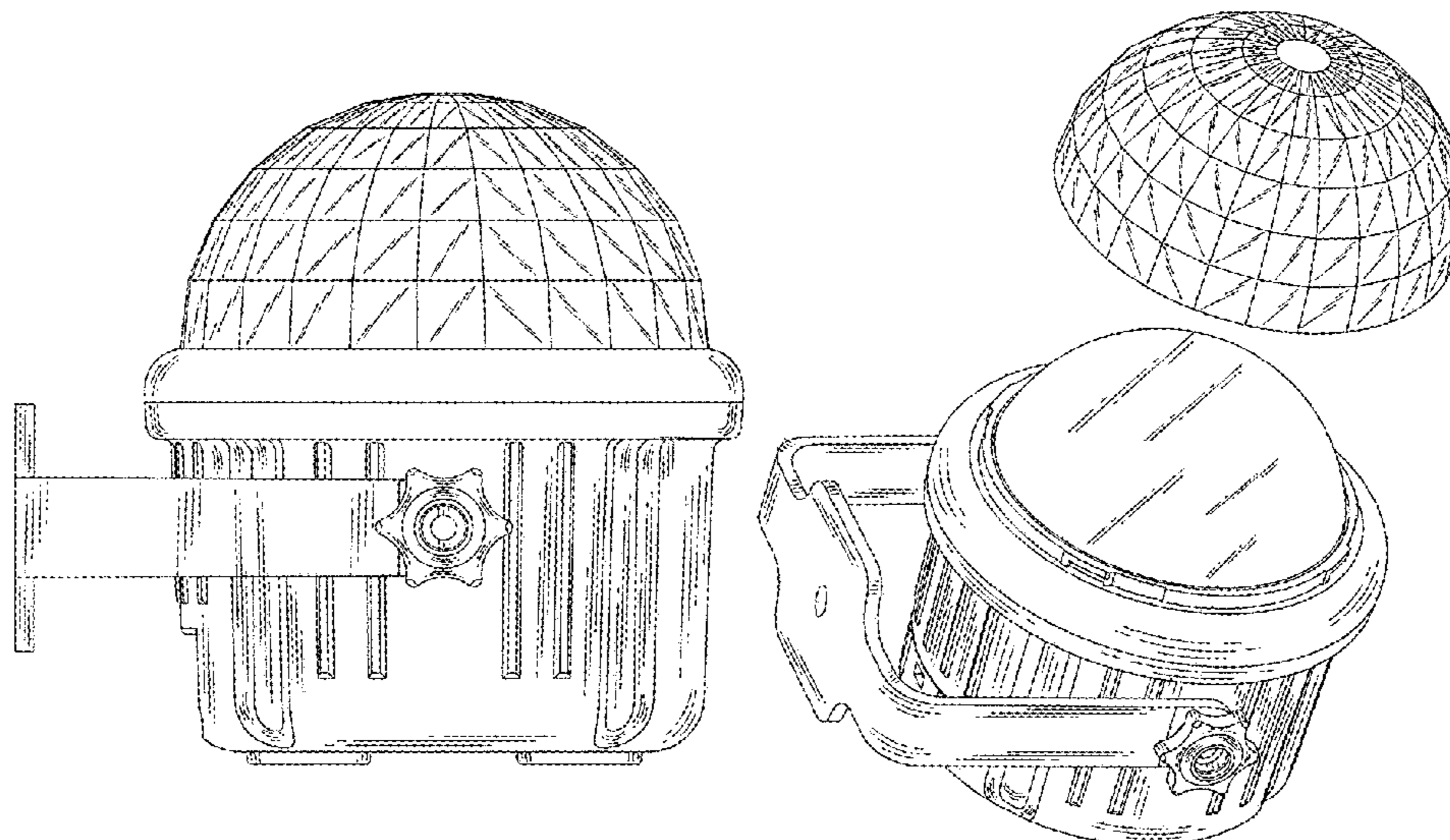
FIG. 6 is a top plan view thereof;

FIG. 7 is a bottom plan view thereof; and,

FIG. 8 is a perspective view thereof, shown with the lampshade off.

The broken lines in the drawings depict portions of the stage light that form no part of the claimed design.

1 Claim, 8 Drawing Sheets



(56)

References Cited

U.S. PATENT DOCUMENTS

D889,022 S *	6/2020	Zhang	D26/106
D894,460 S *	8/2020	Yu	D26/63
D907,281 S *	1/2021	Wu	D26/104
D909,651 S *	2/2021	Tan	D26/63
D911,568 S *	2/2021	Lv	D26/63
D912,883 S *	3/2021	Zheng	D26/110
D914,945 S *	3/2021	Wu	D26/63
D915,651 S *	4/2021	Tan	D26/63
D917,739 S *	4/2021	Lum	D26/24
D918,437 S *	5/2021	Lum	F21S 6/002 D26/24
D928,379 S *	8/2021	Song	F21S 41/29 D26/63

OTHER PUBLICATIONS

YSSHUI Mini Disco Ball Light, Nov. 6, 2017, Amazon.ca, site visited Aug. 30, 2021, url: <https://www.amazon.ca/dp/B076T3D41S> (Year: 2017).*

Disco Ball Lights LED Party Light, Jun. 17, 2019, Amazon.com, site visited Aug. 30, 2021, url: <https://www.amazon.com/dp/B07SH81BB7> (Year: 2019).*

* cited by examiner

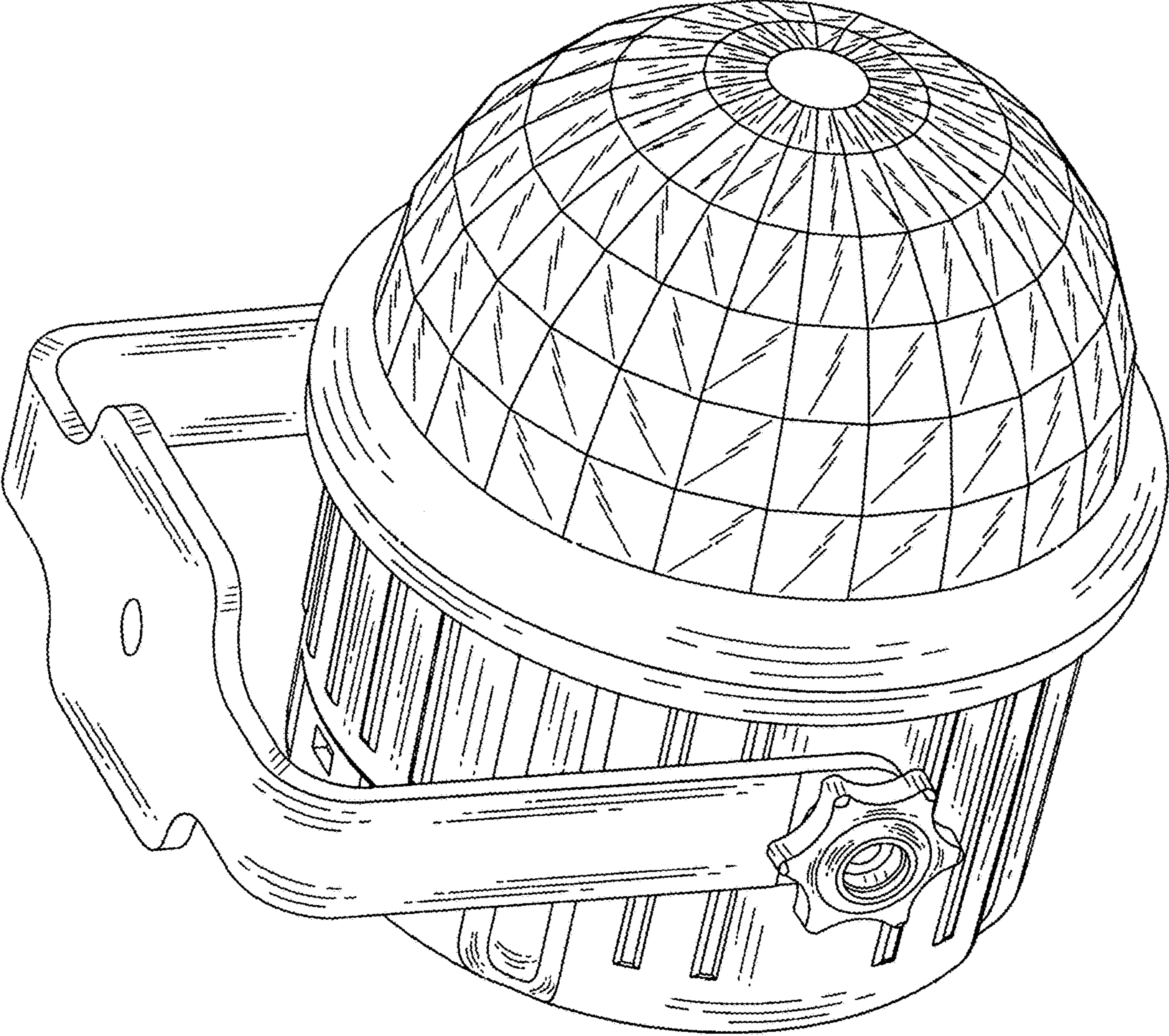


FIG. 1

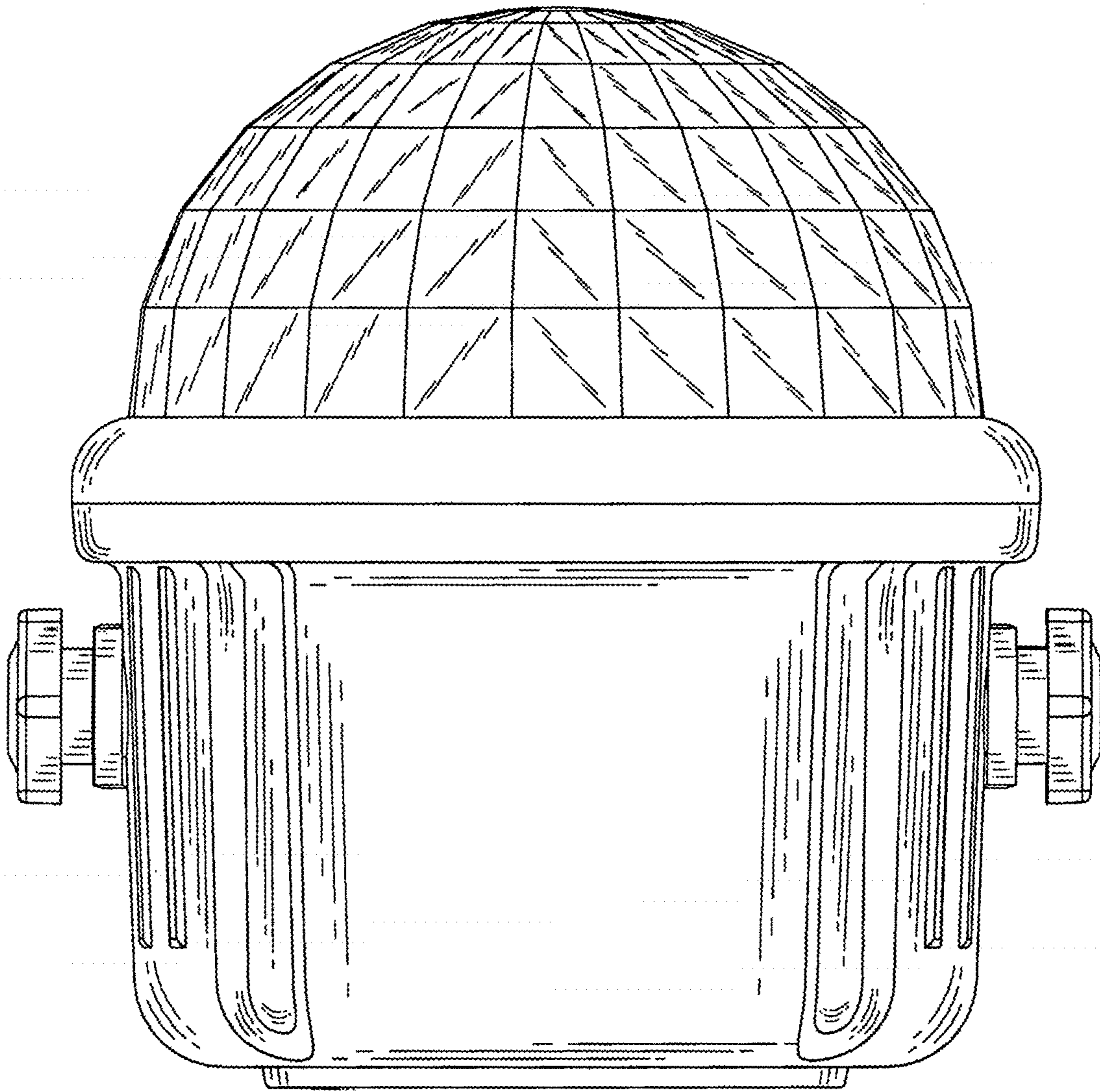


FIG. 2

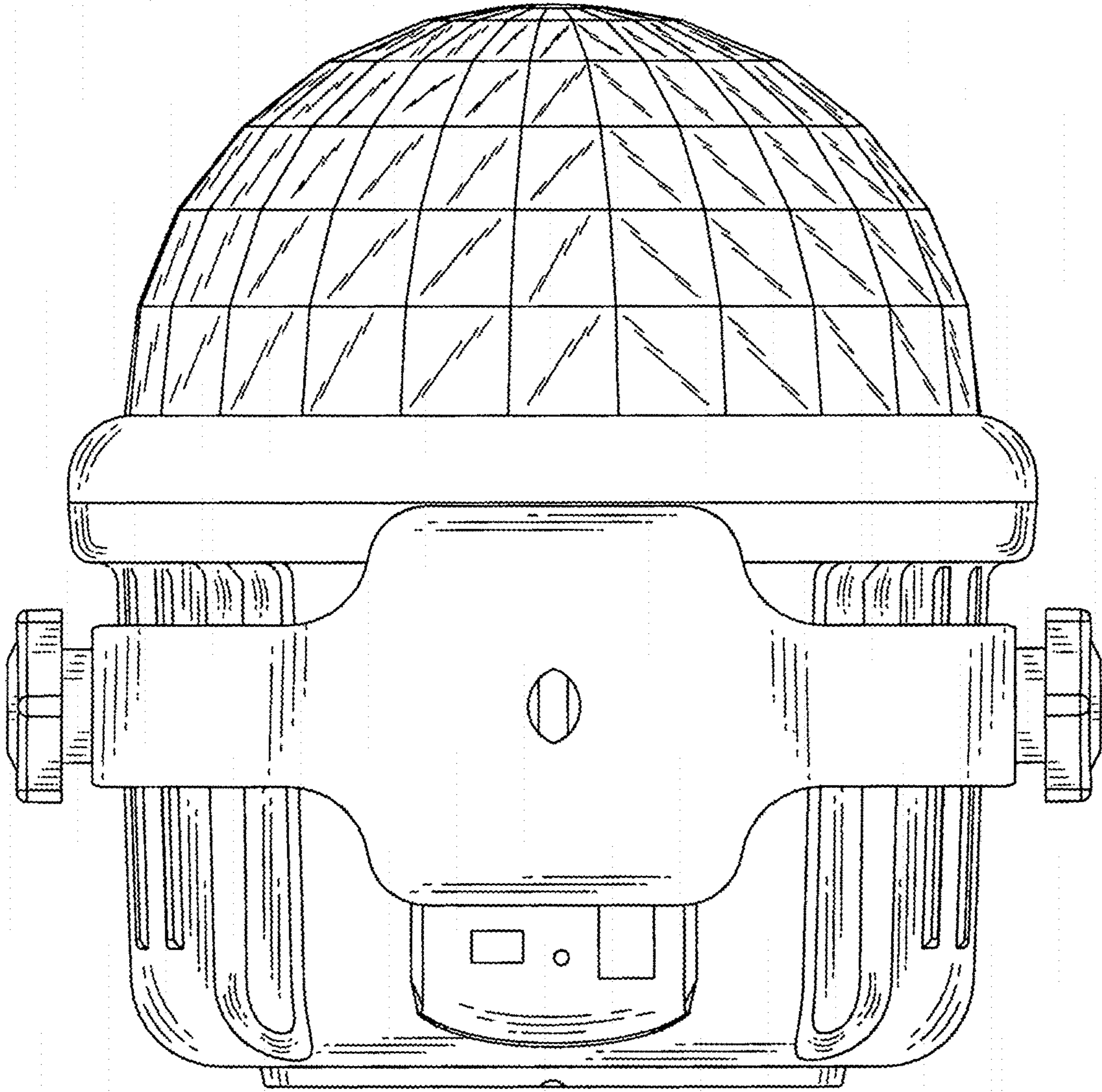


FIG. 3

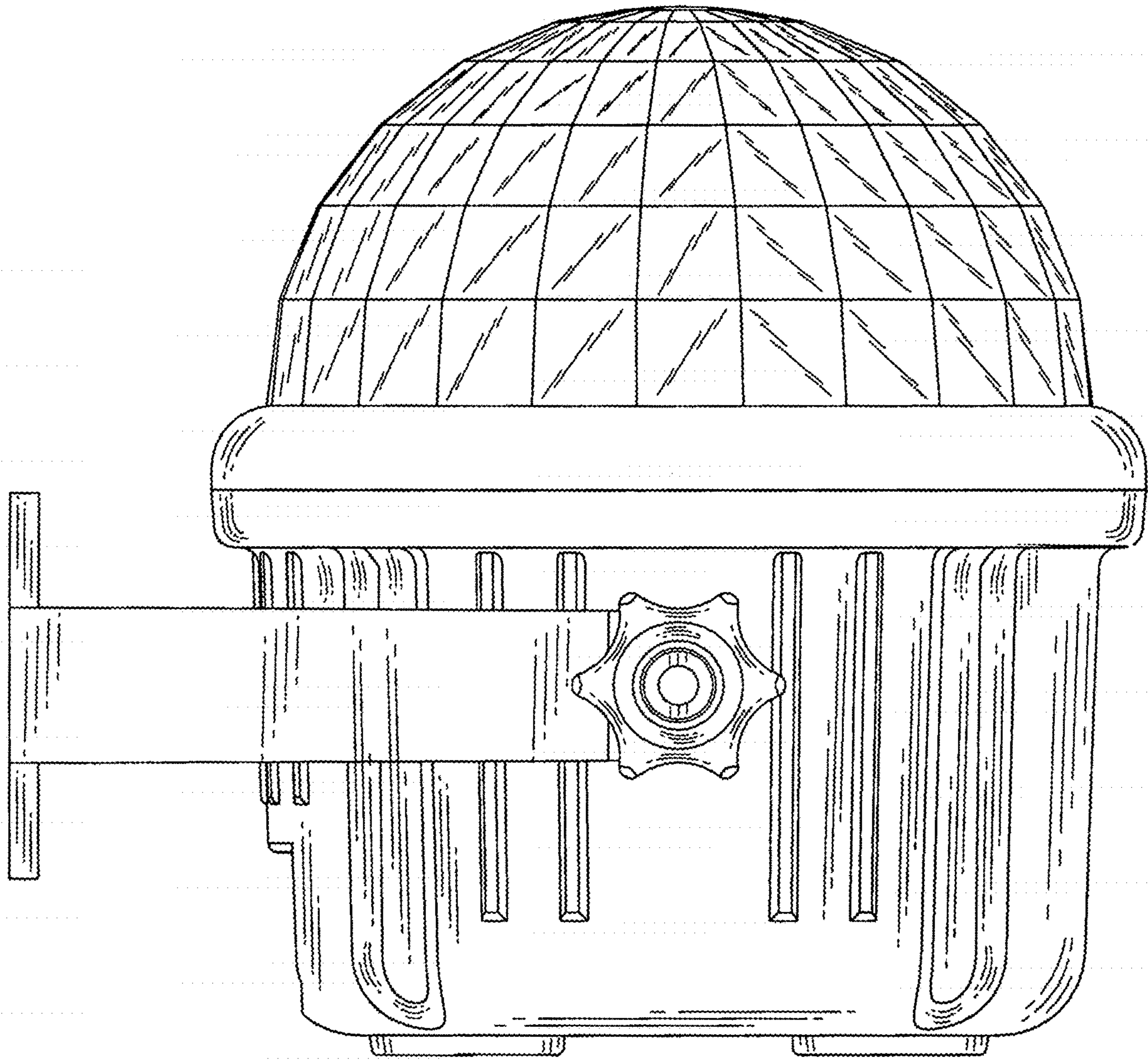


FIG. 4

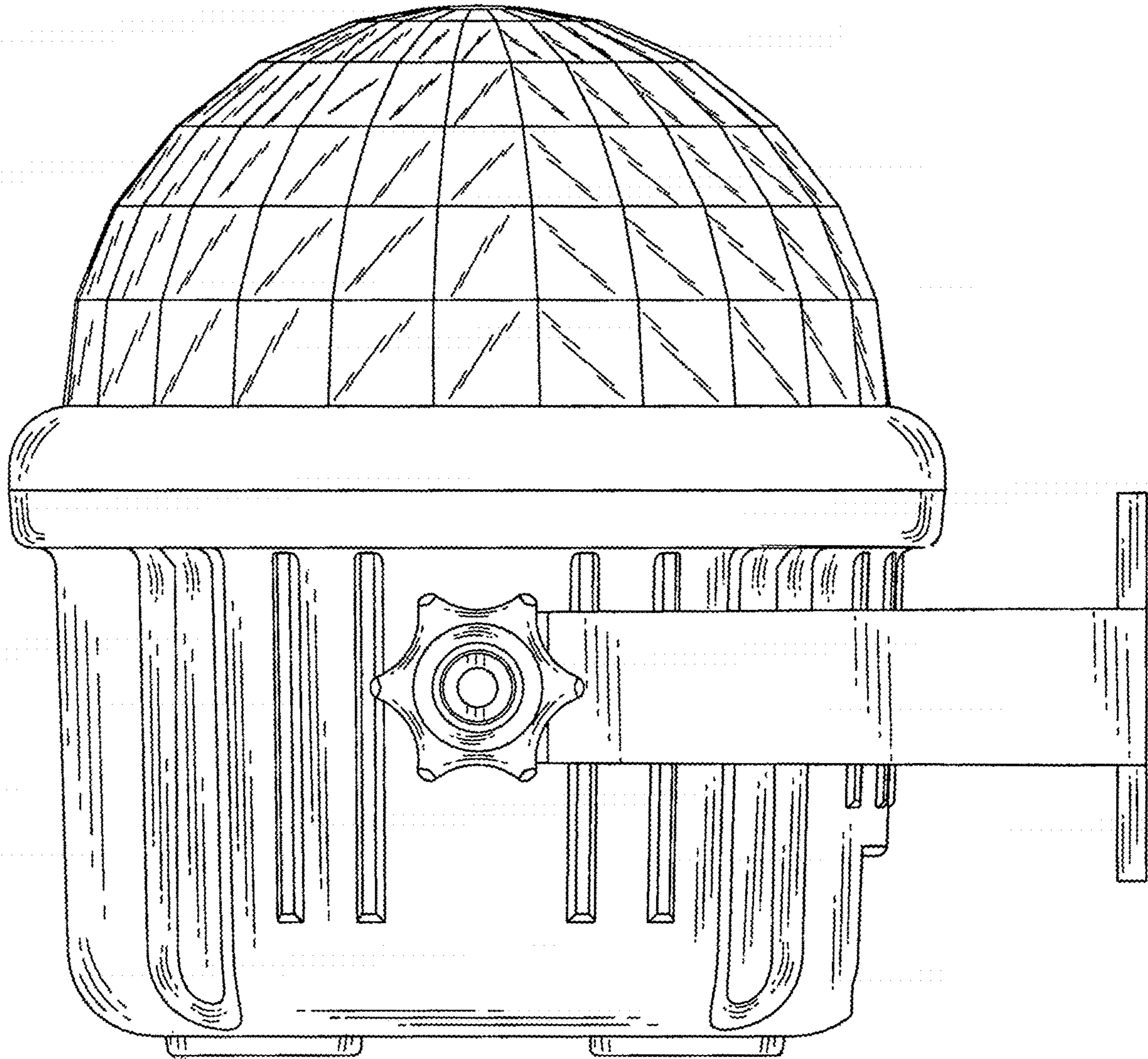


FIG. 5

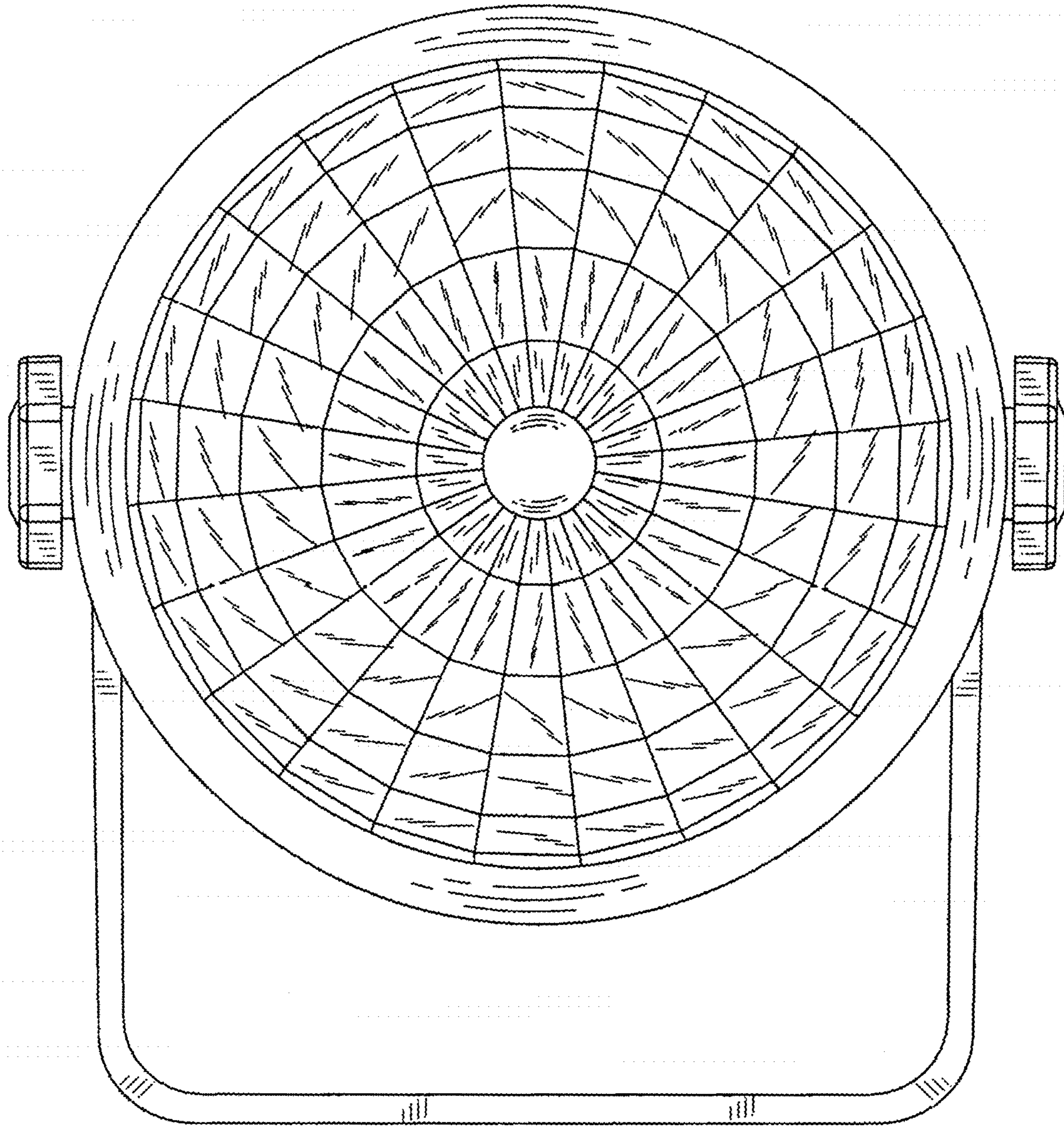


FIG. 6

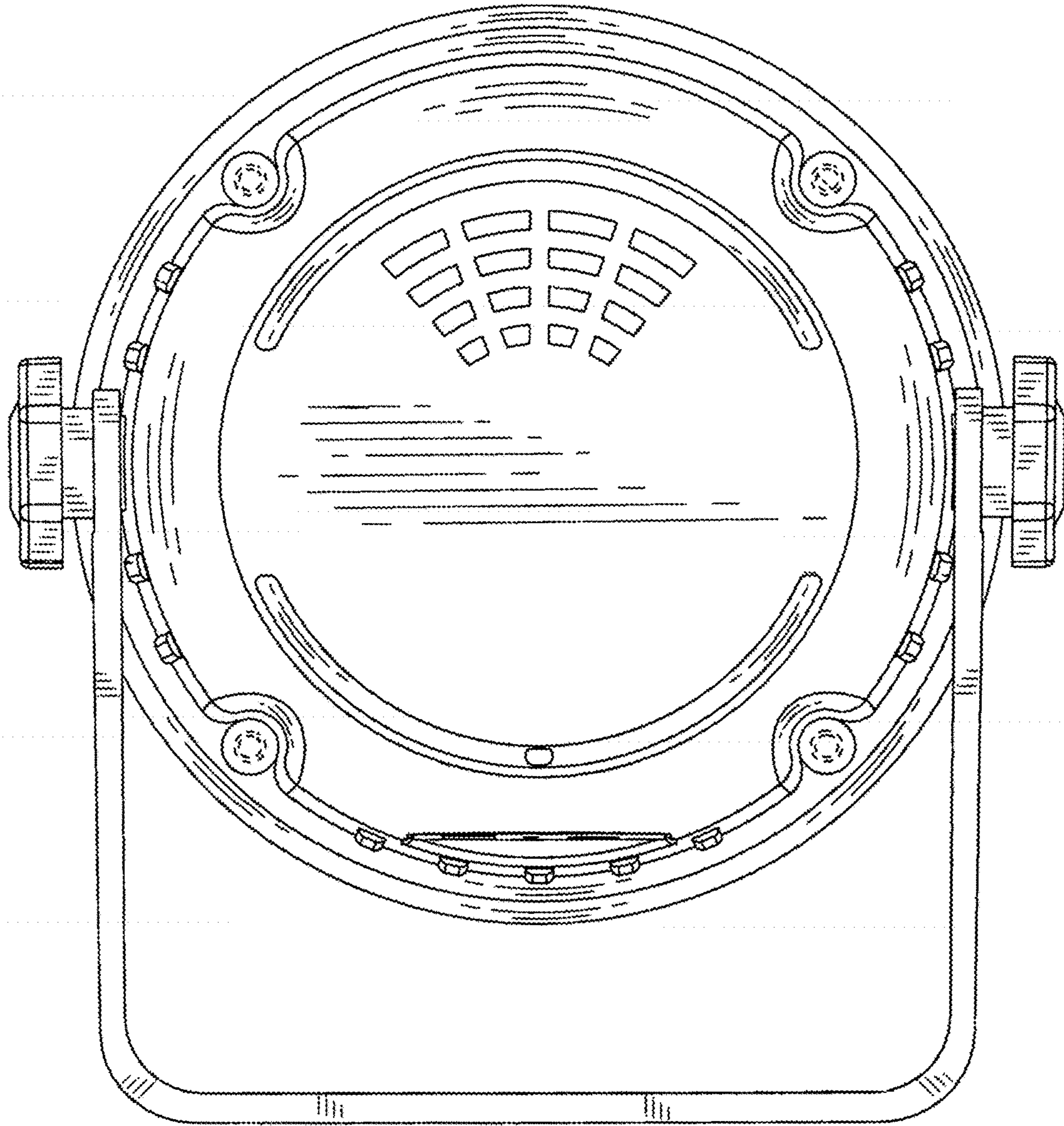


FIG. 7

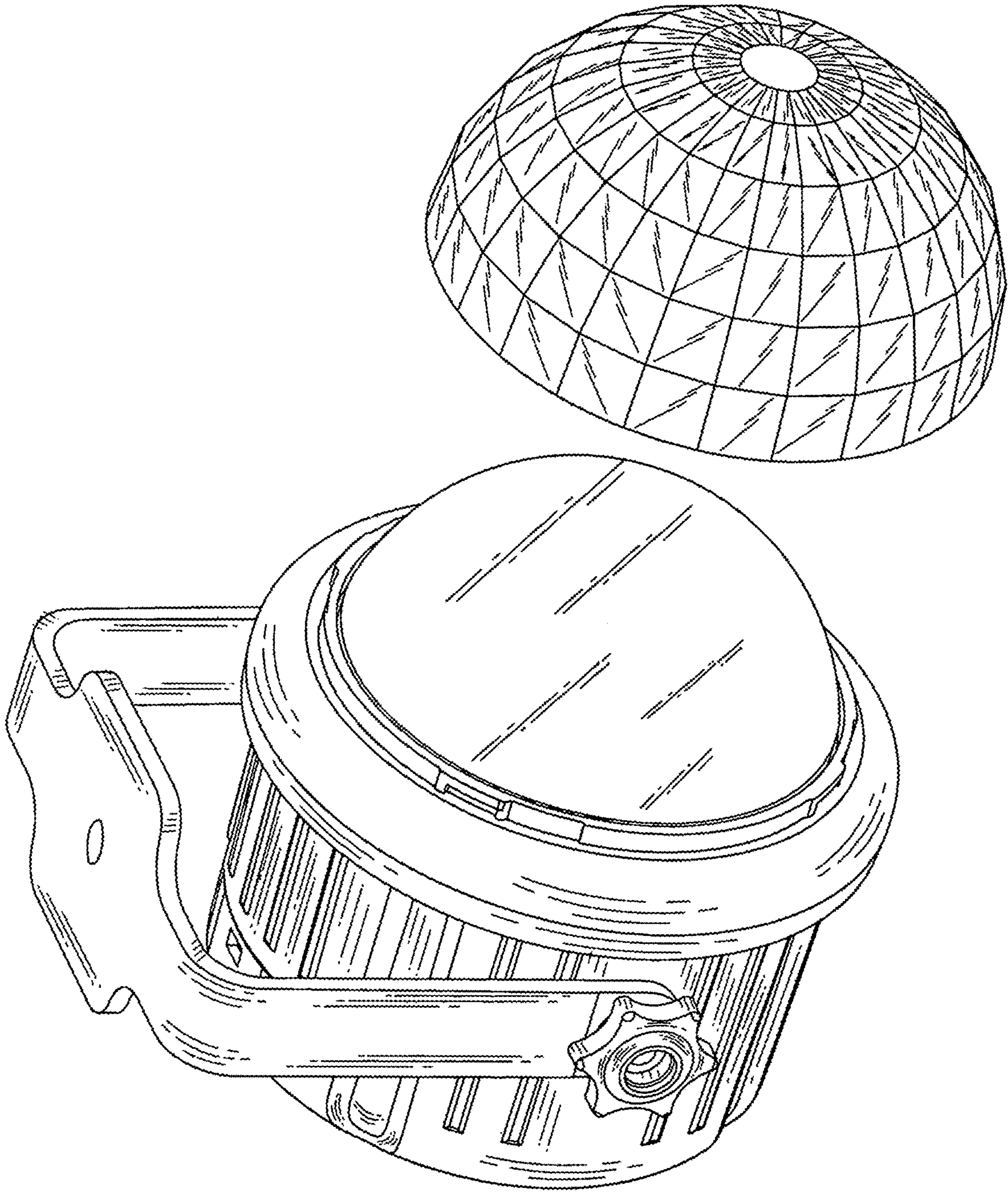


FIG. 8