



US00D948766S

(12) **United States Design Patent**
Holmes et al.

(10) **Patent No.:** **US D948,766 S**

(45) **Date of Patent:** **** Apr. 12, 2022**

(54) **COMBINED CEILING FAN LIGHT GLASS AND MOTOR HOUSING**

D573,243 S 7/2008 Pan
D574,945 S 8/2008 Hidalgo
D584,810 S 1/2009 Pickett
D596,734 S 7/2009 Kihara

(71) Applicant: **HUNTER FAN COMPANY**,
Memphis, TN (US)

(Continued)

(72) Inventors: **Christine Holmes**, Memphis, TN (US);
Patrick R. O'Connell, Germantown,
TN (US)

OTHER PUBLICATIONS

<http://www.fanimation.com/products/index.php/fans/zonix-led.html>, Fanimation Zonix LED Ceiling Fan, Model No. FP4650, accessed Feb. 1, 2018.

(73) Assignee: **Hunter Fan Company**, Memphis, TN (US)

(Continued)

(**) Term: **15 Years**

Primary Examiner — Sharon S Oum

(21) Appl. No.: **29/737,697**

(74) *Attorney, Agent, or Firm* — McGarry Bair PC

(22) Filed: **Jun. 11, 2020**

(57) **CLAIM**

The ornamental design for a combined ceiling fan light glass and motor housing, as shown and described.

Related U.S. Application Data

DESCRIPTION

(63) Continuation of application No. 29/636,810, filed on Feb. 12, 2018, now Pat. No. Des. 890,321.

(51) **LOC (13) Cl.** **26-05**

(52) **U.S. Cl.**
USPC **D26/59**; D23/377; D23/411

(58) **Field of Classification Search**
USPC D23/370, 377, 379, 385, 411–414;
D26/59

CPC F04D 25/088; F04D 29/38; F04D 29/384;
F04D 29/386; F21V 33/0096

See application file for complete search history.

FIG. 1 is a top perspective view of a combined ceiling fan light glass and motor housing, showing our new design; FIG. 2 is a bottom perspective view of the combined ceiling fan light glass and motor housing of FIG. 1; FIG. 3 is a top view of the combined ceiling fan light glass and motor housing of FIG. 1; FIG. 4 is a bottom view of the combined ceiling fan light glass and motor housing of FIG. 1; FIG. 5 is a front view of the combined ceiling fan light glass and motor housing of FIG. 1, with the rear view being identical thereto; and, FIG. 6 is a right side view of the combined ceiling fan light glass and motor housing of FIG. 1, with the left side view being identical thereto.

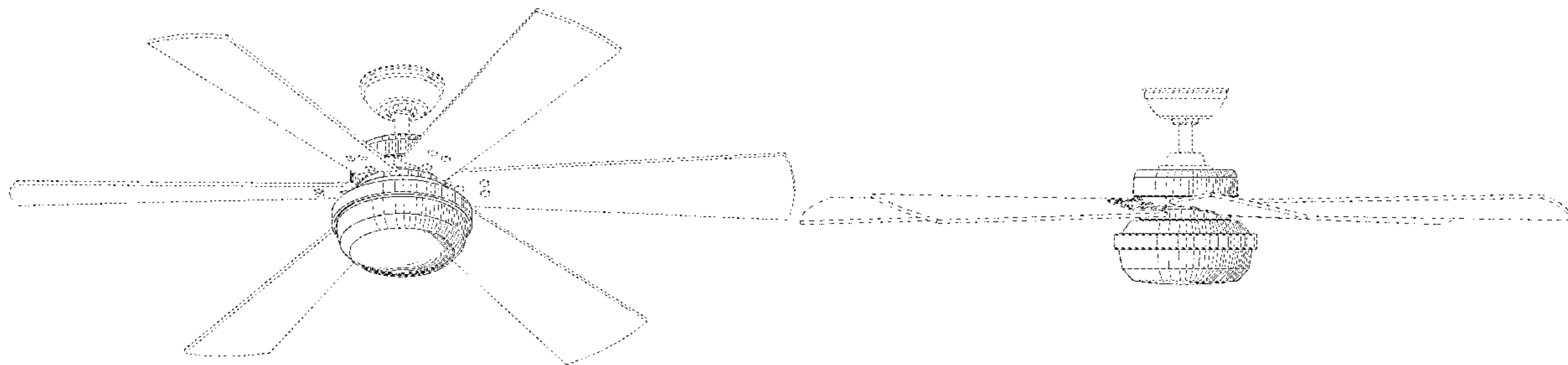
The broken lines illustrate portions of the combined ceiling fan light glass and motor housing and environmental structure. None of the broken lines form part of the claimed design.

(56) **References Cited**

U.S. PATENT DOCUMENTS

D169,972 S 7/1953 Glatthar et al.
D314,618 S 2/1991 Yen
D331,101 S 11/1992 Rezek
D411,615 S 6/1999 Lo
D451,191 S 11/2001 Goodman
D506,565 S 6/2005 Yurich

1 Claim, 6 Drawing Sheets



(56)

References Cited

U.S. PATENT DOCUMENTS

D609,324	S	2/2010	Lee	
D628,687	S	12/2010	Yao	
D704,819	S	5/2014	Wang	
D706,406	S	6/2014	Wang	
D706,477	S	6/2014	Wang	
D707,336	S	6/2014	Pan	
D743,528	S	11/2015	Wang	
D759,799	S	6/2016	Wang	
D773,640	S	12/2016	Wang	
D785,155	S	4/2017	Wang	
D795,412	S	8/2017	Schulzman	
D796,024	S	8/2017	Holmes	
D799,660	S	10/2017	Jones	
D799,668	S	10/2017	Wang	
D800,288	S	10/2017	Jones	
D800,290	S	10/2017	Searle	
D800,370	S	10/2017	Sonneman	
D804,010	S	11/2017	Guthrie	
D805,174	S	12/2017	Guthrie	
D810,915	S	2/2018	Guthrie et al.	
D824,558	S	7/2018	Guthrie	
D825,052	S	8/2018	Guthrie	
D855,172	S	7/2019	Holmes	
D874,635	S *	2/2020	Holmes	D23/377
D890,320	S *	7/2020	Holmes	D23/377
D890,321	S *	7/2020	Holmes	D23/377
D906,506	S *	12/2020	McRoberts	D23/377
D917,688	S *	4/2021	Guthrie	D23/411
2005/0214145	A1	9/2005	Grinbergs	

OTHER PUBLICATIONS

<http://ceilingfans.emerson.com/shop/en/fan/fans-s-emerson-fans/fans-s-transitional/portland-eco-fan-p-cf965>, Emerson Portland Eco Brushed Steel Ceiling Fan with Dark Mahogany/Walnut Finish Blades and Opal Matte Glass, Model No. P-CF965, accessed Feb. 1, 2018.
<https://www.amazon.com/Emerson-Ceiling-CF430BS-Highrise-Control/dp/B00HS64V0E>, Emerson Highrise Modern Ceiling Fan

with Light and Wall Control, 50 inch Blades in Brushed Steel Finish, Model No. CF430BS, accessed Feb. 1, 2018.
<http://www.craftmade.com/Craftmade-MO56CH4-Chrome-Ceiling-Fan.HTM>, Craftmade Midoro 56" Ceiling Fan with Blades and Light, Model No. MO56CH4, accessed Feb. 1, 2018.
<http://www.montecarlofans.com/32462/52-Dakota-Fan-Heritage-Bronze-5DKR52HBD.html>, Monte Carlo 52" Dakota Fan in Heritage Bronze (Discontinued), Product No. 5DKR52HBD, accessed Feb. 1, 2018.
<http://www.minkagroup.net/products/f734-gl>, Minka Strata 52" Ceiling Fan in galvanized Finish with 4 (ABS) Blades in Silver, Model No. F734-GL, accessed Feb. 1, 2018.
<https://www.amazon.com/Kichler-Lighting-300181OZ-52-Inch-Ceiling/dp/B004NXX15G>, Kichler Lacey 52" Ceiling Fan in Old Bronze, Model No. 300181OZ, accessed Feb. 1, 2018.
https://www.amazon.com/Fanimation-FP7951OB-Breckenfield-Rubbed-Bronze/dp/B009E3XDNU/ref=sr_1_1?s=hi&ie=UTF8&qid=1517586383&sr=1-1&keywords=Fanimation+FP7951OB+Breckenfield, Fanimation Breckenfield 52" Ceiling Fan in Oil-Rubbed Bronze, Model No. FP7951OB, accessed Feb. 1, 2018.
<https://www.craftmade.com/braxton-brx52>, Craftmade Braxton 52" Ceiling Fan with Blades Included, Model No. BRX52, accessed Feb. 1, 2018.
<https://www.menards.com/main/lighting-ceiling-fans/ceiling-fans/shop-all-ceiling-fans/turn-of-the-century-reg-latitude-52-matte-black-contemporary-damp-rated-ceiling-fan/p-1444433463117-c-7487.htm?tid=-7859959171264654652&ipos=46>, Turn of the Century Latitude 52" Matte Black, Contemporary Damp-Rated Ceiling Fan, Model No. 30136, accessed Feb. 1, 2018.
<https://www.craftmade.com/triad-tri54>, Craftmade 54" Ceiling Fan with Blades Included, Model No. TRI54BNK3, accessed Feb. 1, 2018.
<https://www.craftmade.com/pub/media/guides/TRI54.pdf>, Craftmade Triad Installation Guide for Model TRI54BNK3, accessed Sep. 27, 2017.
<http://www.craftmade.com/beltre-bel52bnk3crw>, 52" Ceiling Fan with Blades and Light, Model No. BEL52BNK3CRW, accessed Feb. 1, 2018.

* cited by examiner

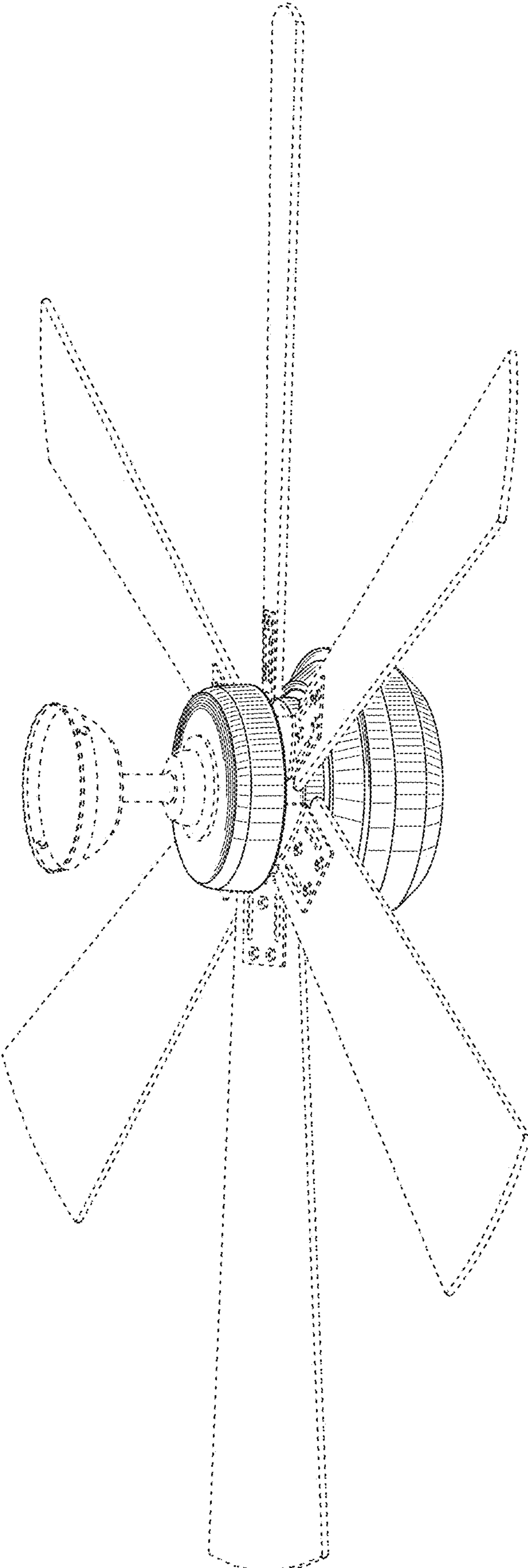


FIG. 1

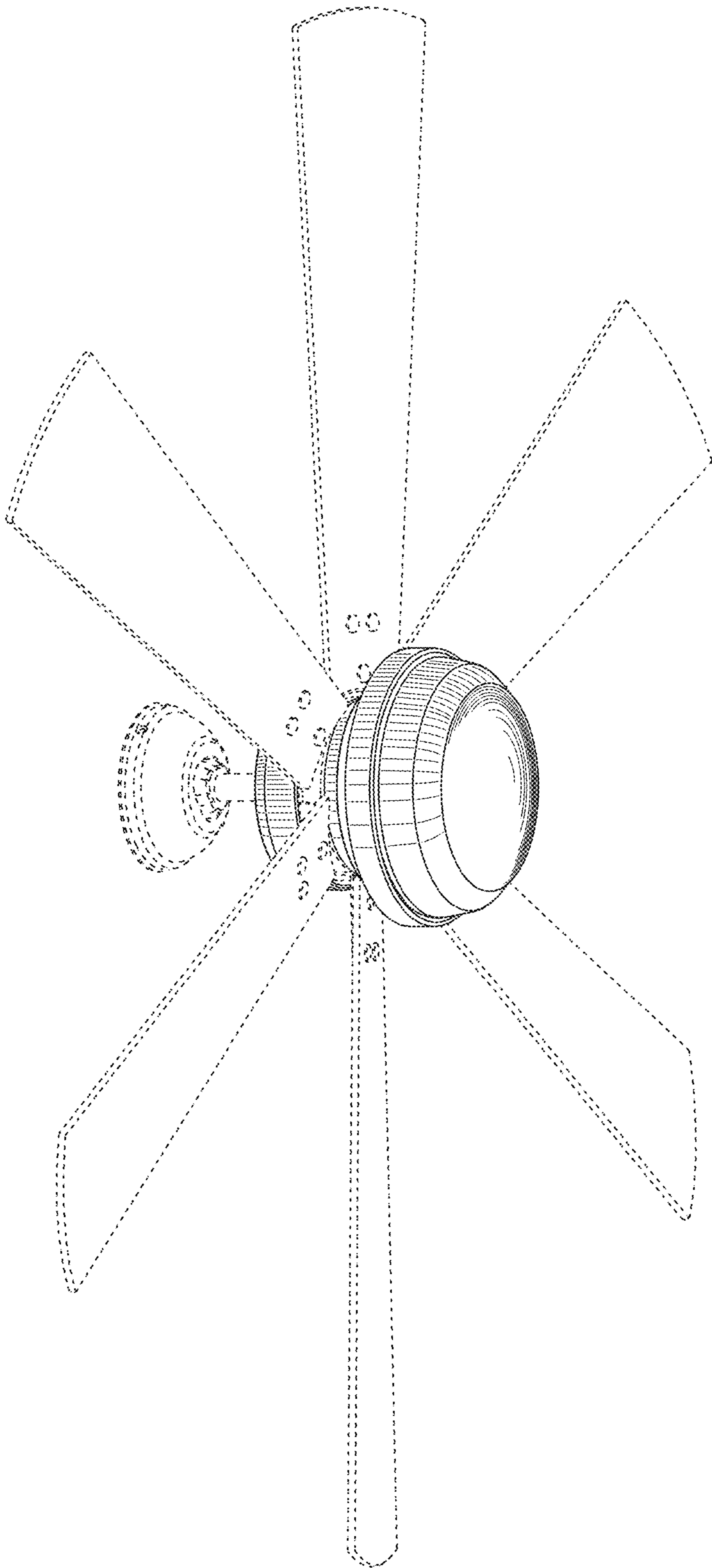


FIG. 2

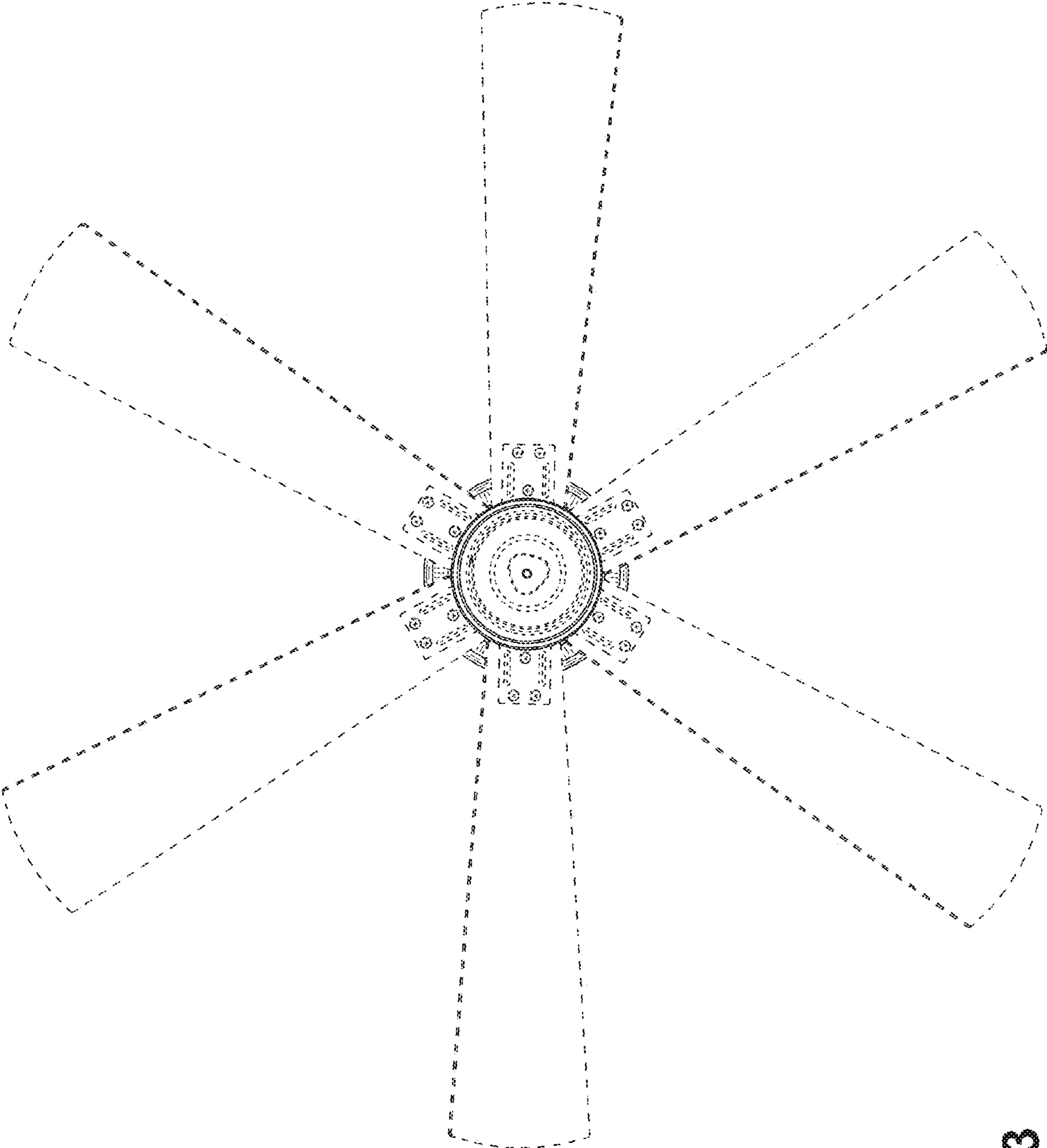


FIG. 3

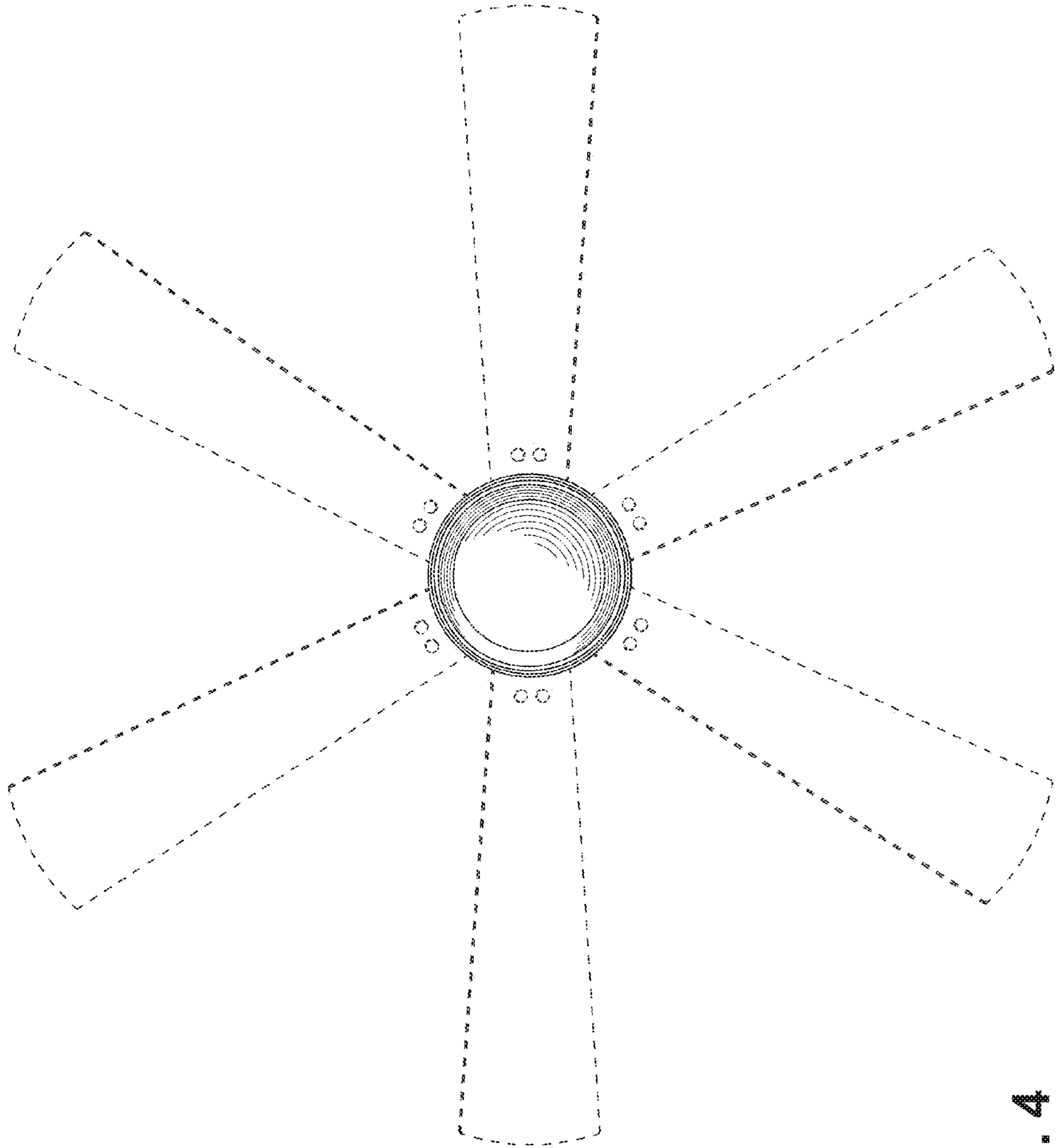


FIG. 4

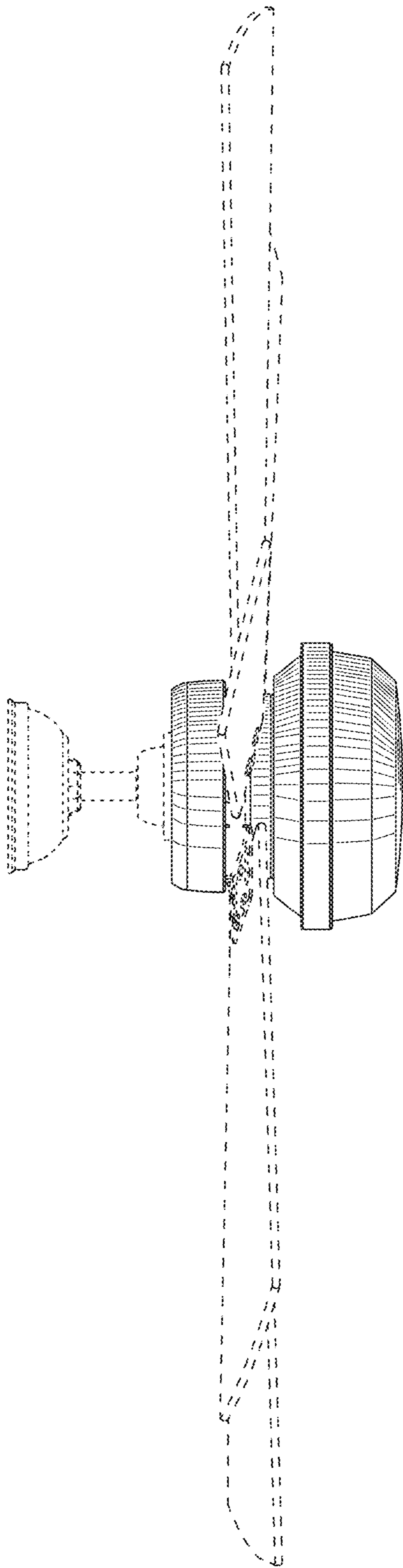


FIG. 5

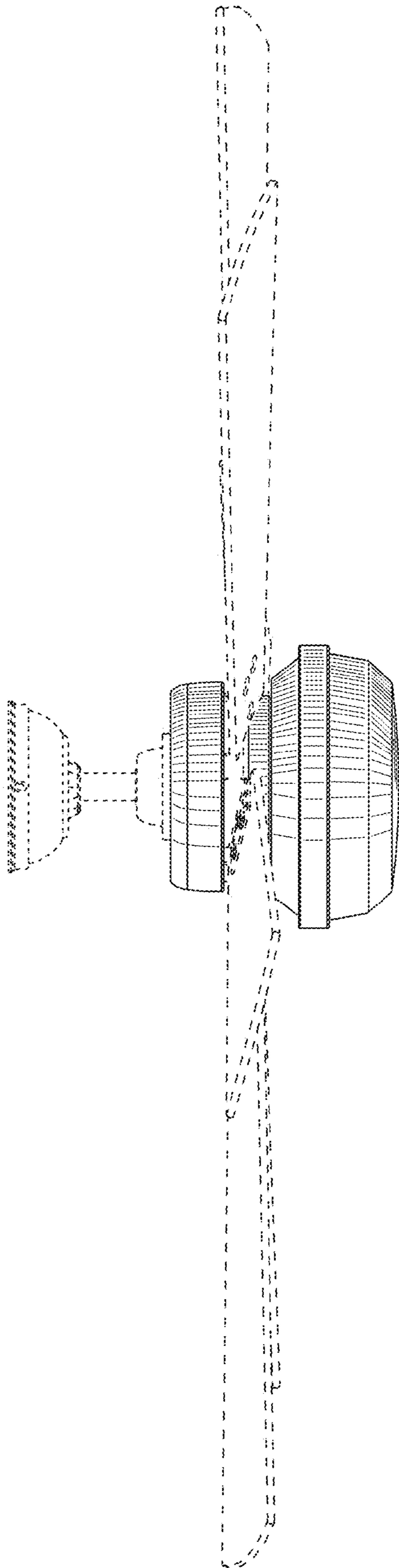


FIG. 6