



US00D948765S

(12) **United States Design Patent** (10) **Patent No.:** **US D948,765 S**
Xie (45) **Date of Patent:** **** Apr. 12, 2022**

(54) **FLASHLIGHT**

D901,738 S 11/2020 Muyschondt
D905,308 S 12/2020 Hong
D905,885 S * 12/2020 Kotsis D26/49
(Continued)

(71) Applicant: **Shenzhen Yushengda Technology Co., Ltd.**, Shenzhen (CN)

(72) Inventor: **Hong Xie**, Shenzhen (CN)

FOREIGN PATENT DOCUMENTS

(**) Term: **15 Years**

CN 201330208012 * 10/2013
CN 201330395507 * 1/2014
CN 201430277345 * 12/2014

(21) Appl. No.: **29/764,823**

(Continued)

(22) Filed: **Jan. 4, 2021**

OTHER PUBLICATIONS

(51) **LOC (13) Cl.** **26-02**

(52) **U.S. Cl.**
USPC **D26/49**

Surefire Fury Dual Fuel Series. By SureFire. Dated May 8, 2019. Found online [Jul. 8, 2021]. <https://www.amazon.com/SureFire-Fury-Dual-Fuel-Series/dp/B07RL88DK7> (Year: 2019).*

(58) **Field of Classification Search**

USPC D26/8, 24, 26, 37-52
CPC . F21L 4/005; F21L 4/027; F21L 4/085; F21L 4/08; F21L 4/00; F21L 4/045; F21L 4/02; F21L 4/022; F21L 4/025; F21L 4/04; F21L 13/00; F21L 14/02; F21L 2/00
See application file for complete search history.

(Continued)

Primary Examiner — Marissa J Cash
Assistant Examiner — William B Melliar
(74) *Attorney, Agent, or Firm* — Rumit K. Kanakia

(56) **References Cited**

(57) **CLAIM**

U.S. PATENT DOCUMENTS

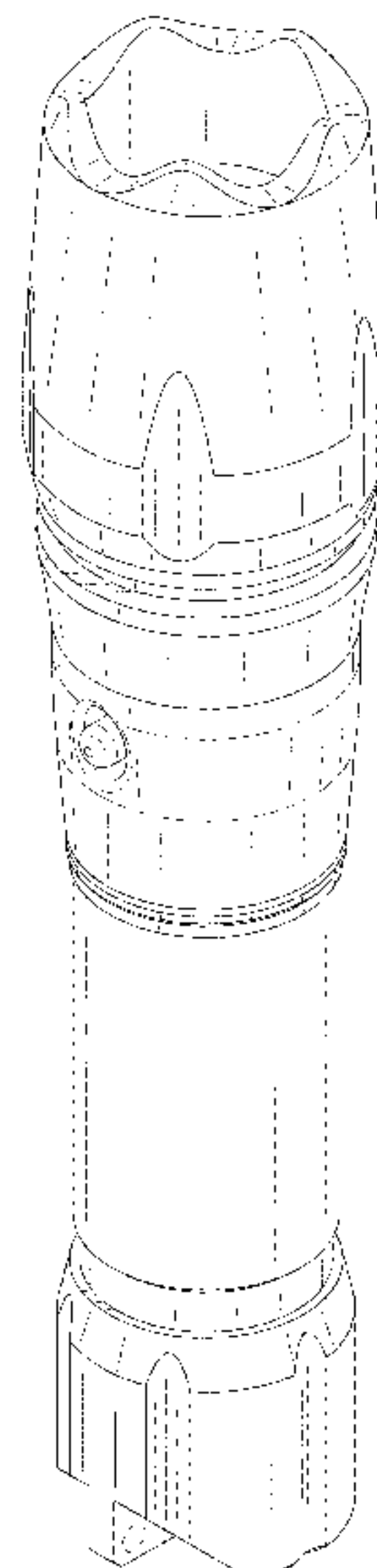
The ornamental design for a flashlight, as shown and described.

- D525,733 S * 7/2006 Shiao D26/37
- D554,281 S * 10/2007 Bushee D26/37
- D566,309 S * 4/2008 Kornfeld D26/37
- D590,970 S * 4/2009 Kornfeld D26/37
- D879,345 S * 3/2020 Chen D26/49
- D884,943 S * 5/2020 Petrucelli D26/38
- D895,183 S * 9/2020 Qiu D26/49
- D895,869 S * 9/2020 Qiu D26/49
- D897,578 S * 9/2020 Le D26/37
- D897,579 S 9/2020 Le
- D897,581 S * 9/2020 Qiu D26/49
- D898,966 S 10/2020 Qiu
- D899,646 S 10/2020 Shan
- D899,647 S 10/2020 Shan
- D899,648 S 10/2020 Qiu
- D899,649 S 10/2020 Qiu
- D900,367 S * 10/2020 Petrucelli D26/49
- D900,368 S * 10/2020 Petrucelli D26/49

DESCRIPTION

FIG. 1 is a front view of a flashlight showing my new design; FIG. 2 is a rear view thereof; FIG. 3 is a left-hand-side view thereof; FIG. 4 is a right-hand-side view thereof; FIG. 5 is a top view thereof; FIG. 6 is a bottom view thereof; and, FIG. 7 is a perspective thereof. The broken lines shown in the drawings depict portions of the flashlight that form no part of the claimed design.

1 Claim, 7 Drawing Sheets



(56)

References Cited

U.S. PATENT DOCUMENTS

D922,641 S * 6/2021 Hu D26/49
2019/0017694 A1* 1/2019 Parsons F21V 23/003

FOREIGN PATENT DOCUMENTS

CN	201530010187	*	7/2015
CN	201530415525	*	3/2016
CN	201730525236	*	5/2018
CN	201830432954.9	*	1/2019
CN	201930045753.8	*	1/2019
CN	201930661718.9	*	4/2020
CN	202030611863.9	*	3/2021
CN	202030797868.5	*	5/2021
EM	008589220-0003	*	6/2021

OTHER PUBLICATIONS

Leluo Handheld Flashlight. By Leluo. Dated Mar. 29, 2021. Found online [Jul. 8, 2021]. <https://www.amazon.com/LELUO-Handheld-Flashlight-Zoomable-Waterproof/dp/B0919NRVK5> (Year: 2021).*

* cited by examiner

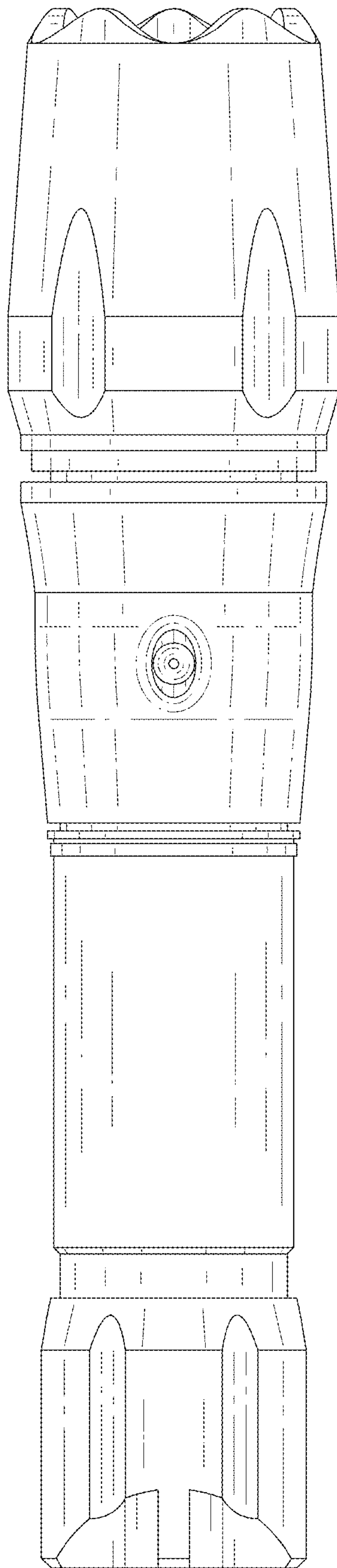


FIG. 1

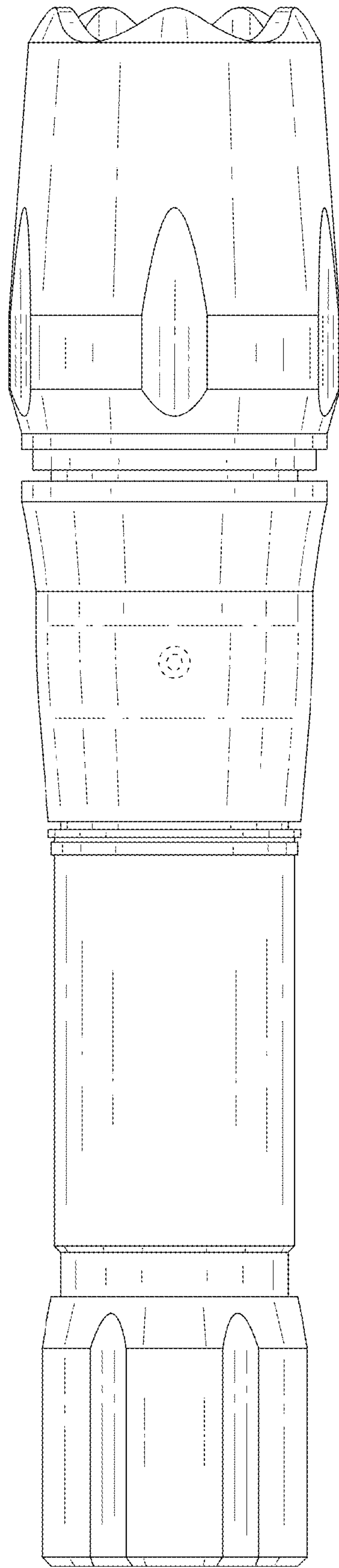


FIG. 2

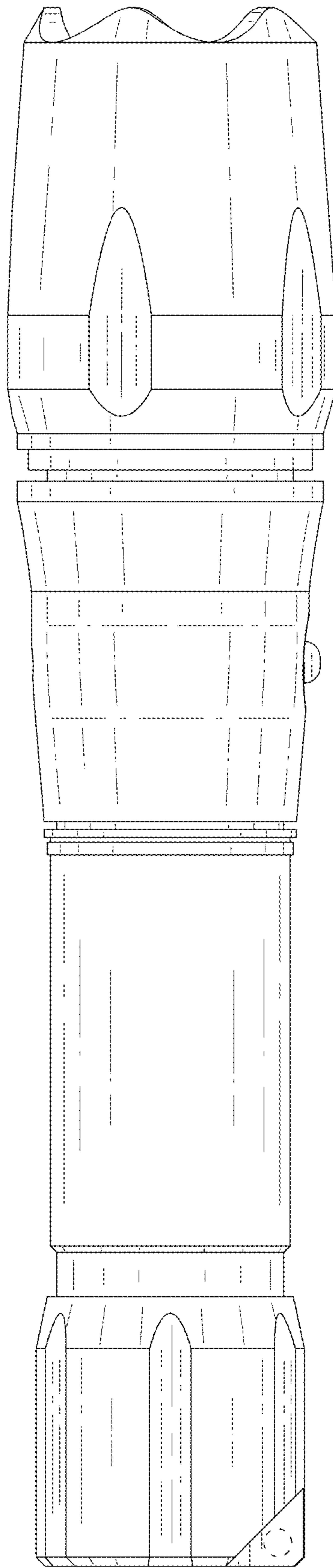


FIG. 3

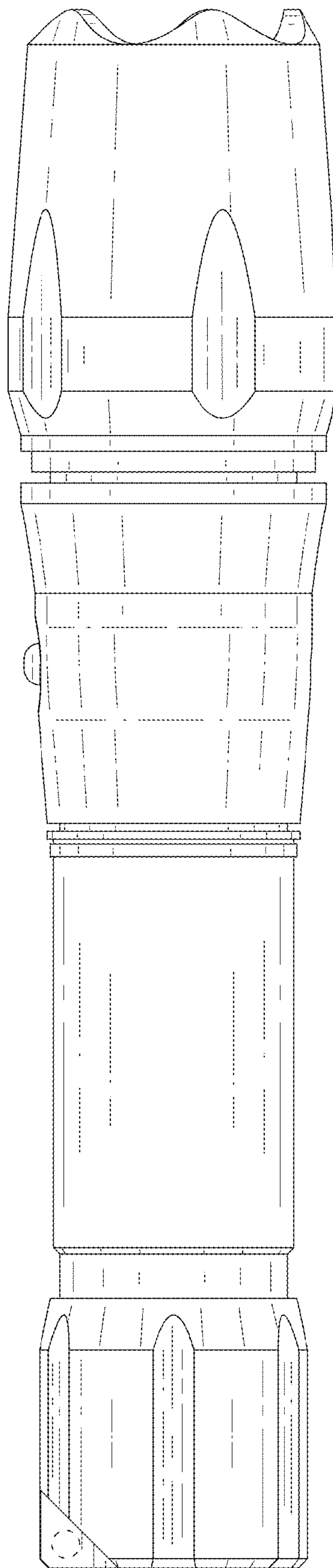


FIG. 4

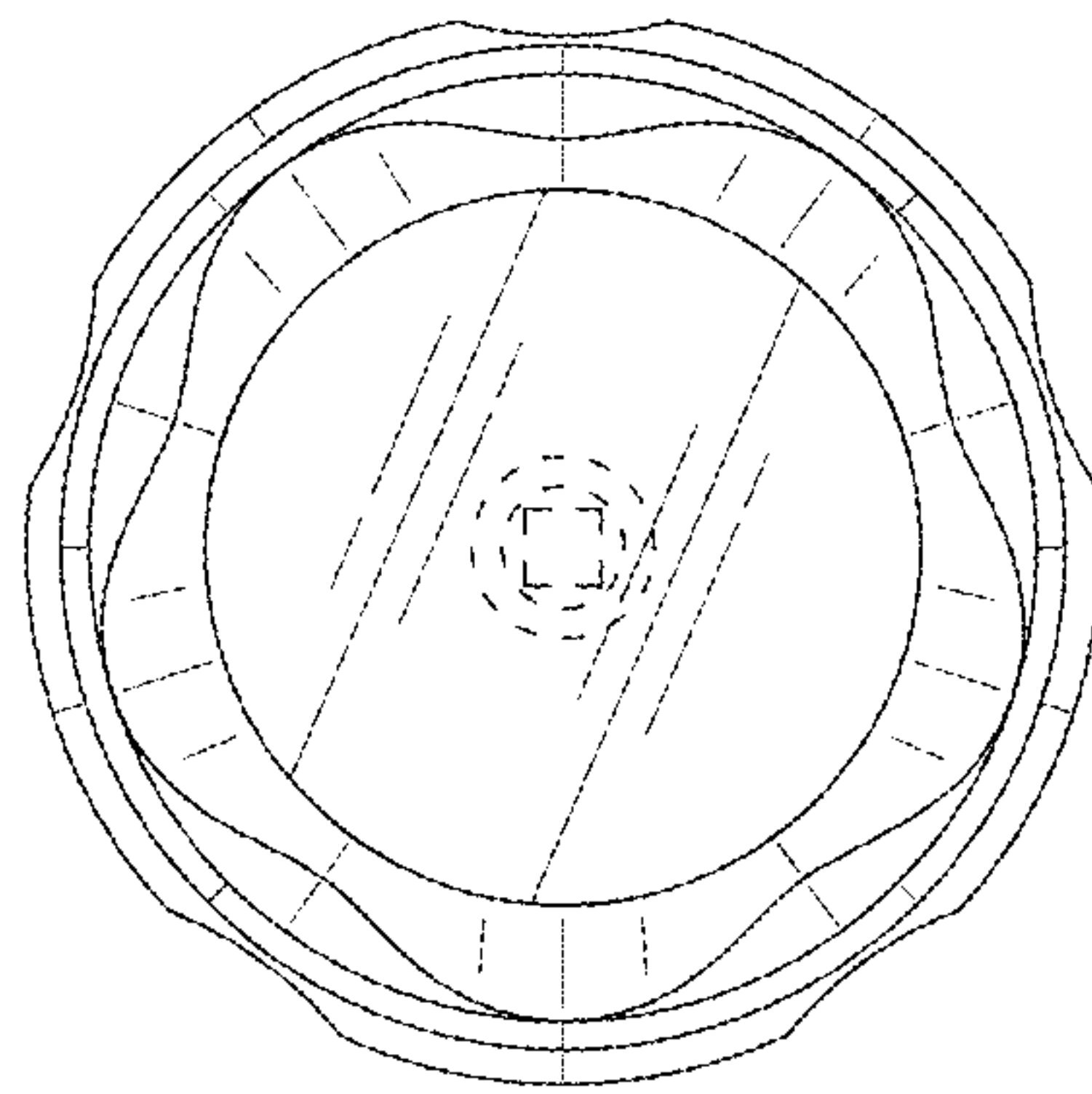


FIG. 5

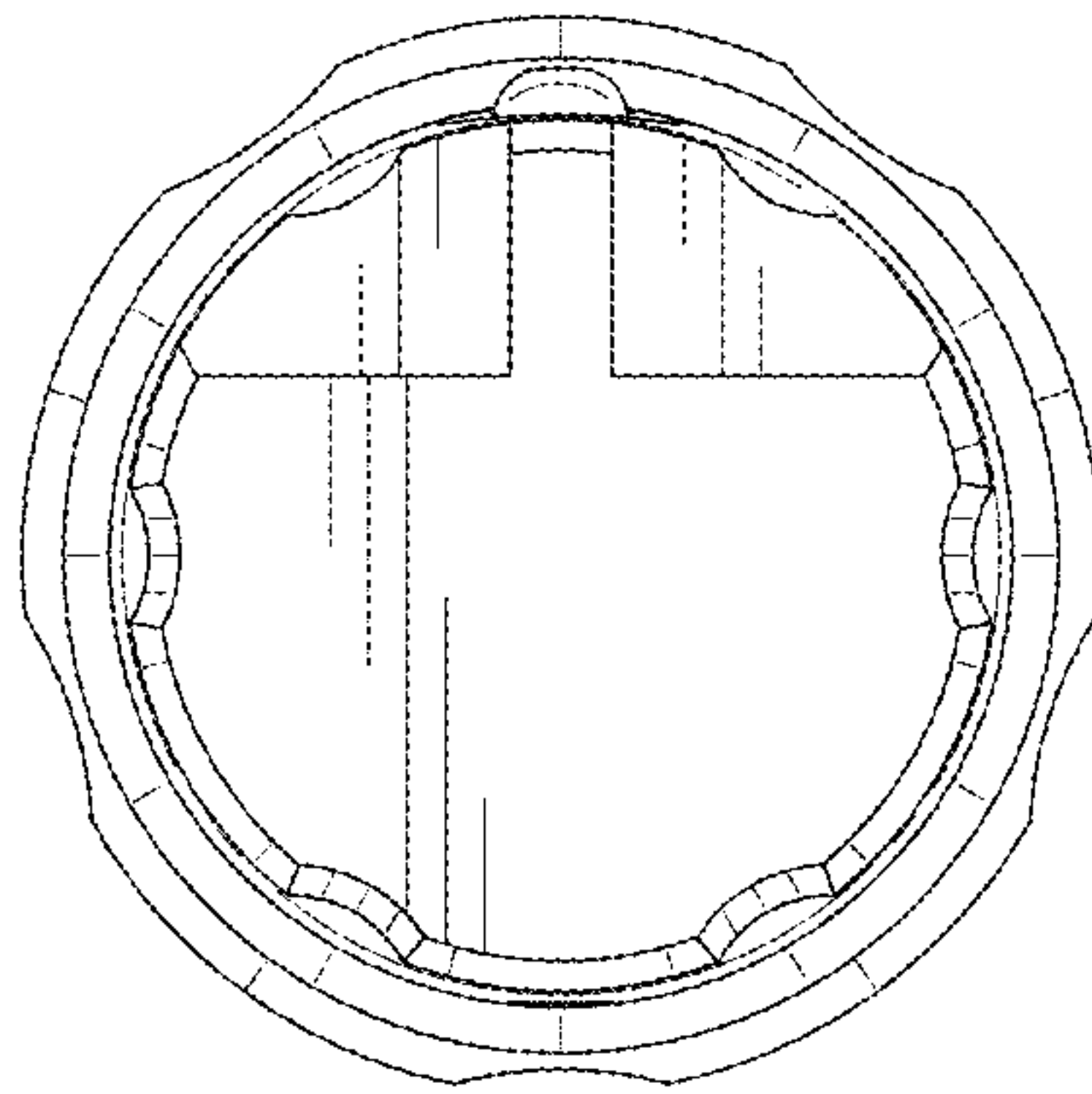


FIG. 6

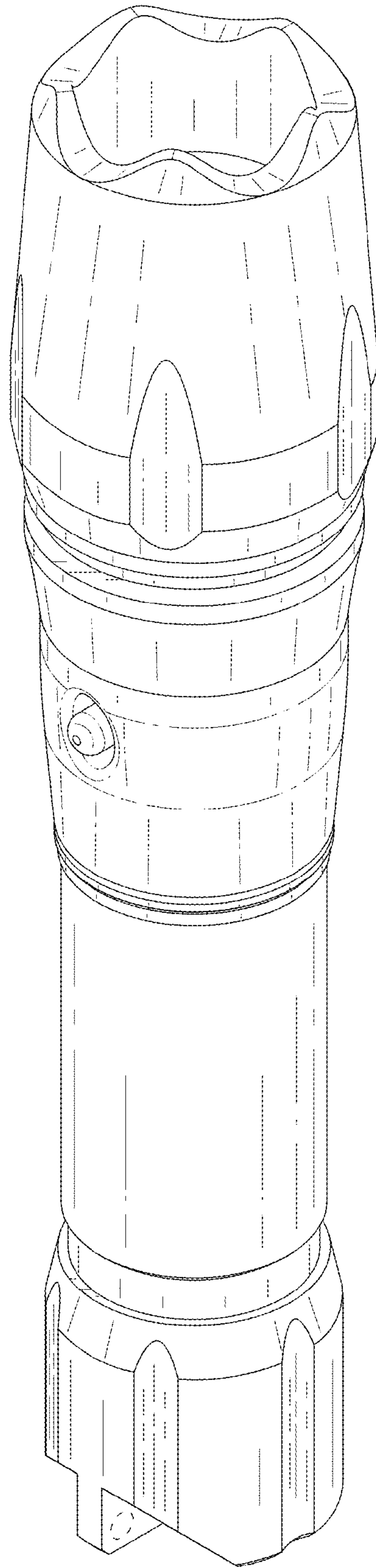


FIG. 7