



US00D948764S

(12) **United States Design Patent**
Peterson

(10) **Patent No.:** **US D948,764 S**

(45) **Date of Patent:** **** Apr. 12, 2022**

(54) **LED LIGHT SOURCE WITH CLIP ON
HOLDER**

(71) Applicant: **Terry J. Peterson**, St. George, UT (US)

(72) Inventor: **Terry J. Peterson**, St. George, UT (US)

(**) Term: **15 Years**

(21) Appl. No.: **29/693,007**

(22) Filed: **May 30, 2019**

(51) **LOC (13) Cl.** **26-02**

(52) **U.S. Cl.**
USPC **D26/39**; D26/37

(58) **Field of Classification Search**
USPC D26/33-39, 41, 44, 51, 52, 56, 60, 61,
D26/63, 65, 66; D10/111, 114.1, 114.2,
D10/114.3, 114.8, 114.9
CPC F21Y 2115/10; F21Y 2113/13; F21V
23/0414; F21V 21/08; F21V 21/30; F21V
21/0885; F21V 9/083; F21L 4/04; F21L
4/045; F21L 4/005; F21L 4/022; F21L
4/025; F21L 4/027
See application file for complete search history.

(56) **References Cited**

U.S. PATENT DOCUMENTS

D223,097 S *	3/1972	Krumin et al.	D14/191
D246,975 S *	1/1978	Hampf	D14/191
D292,616 S *	11/1987	Sexton	D26/37
D296,827 S *	7/1988	Yuen	D26/44
D311,067 S *	10/1990	Chabria	D26/46
D328,144 S *	7/1992	Yuen	D26/44
D344,358 S *	2/1994	Yuen	D14/168
D349,776 S *	8/1994	Yuen	D26/44
D366,337 S *	1/1996	Yuen	D26/44
D409,778 S *	5/1999	Chu	D26/44
D425,642 S *	5/2000	Zeller	F21V 21/0885 D26/44
D435,677 S *	12/2000	Hollinger	D26/60

6,953,259 B2 *	10/2005	Parsons	F21V 21/0885 362/191
D524,474 S *	7/2006	Lo	D26/37
D526,433 S *	8/2006	Li	D26/37
D549,379 S *	8/2007	Sharrah	D26/60
D614,334 S *	4/2010	Thomson	D26/38

(Continued)

FOREIGN PATENT DOCUMENTS

CN	303021641	*	12/2014
CN	304371705	*	11/2017

(Continued)

OTHER PUBLICATIONS

“Streamlight 61125 ClipMate,” Jan. 22, 2014, amazon.com, site visited May 6, 2021, URL: <https://www.amazon.com/Streamlight-61125-ClipMate-Rechargeable-Clip/dp/B00HZAX7YO/> (Year: 2014).*

(Continued)

Primary Examiner — Eric L Goodman

Assistant Examiner — Sarah L Smith

(74) *Attorney, Agent, or Firm* — Ezra Sutton

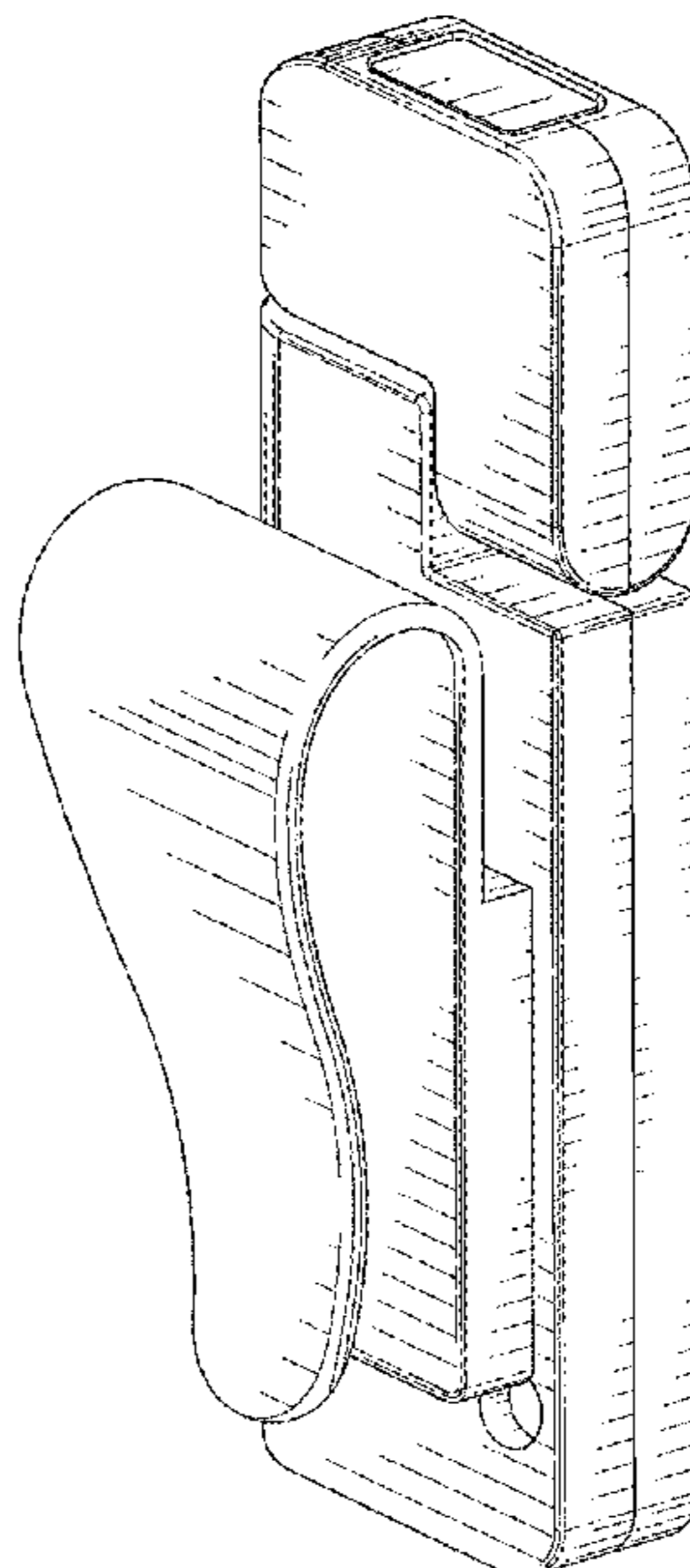
(57) **CLAIM**

The ornamental design for a LED light source with clip on holder, as shown and described.

DESCRIPTION

FIG. 1 is a top and front perspective view of a LED light source with clip on holder embodying my new design; FIG. 2 is a rear view thereof; FIG. 3 is a front view thereof; FIG. 4 is a right side elevational view thereof; FIG. 5 is a left side view thereof; FIG. 6 is a top view thereof; and, FIG. 7 is a bottom view thereof.

1 Claim, 6 Drawing Sheets



(56)

References Cited

U.S. PATENT DOCUMENTS

10,426,562 B1 * 10/2019 Philipp A45F 5/021
D889,426 S * 7/2020 Fu D14/159
D903,171 S * 11/2020 Bilanenko D26/38
D903,303 S * 12/2020 Guo F21V 21/0885
D3/209
2013/0329412 A1 * 12/2013 Ko F21V 21/0885
362/191
2018/0347794 A1 * 12/2018 Sieckert F21L 4/045

FOREIGN PATENT DOCUMENTS

CN 304568025 * 4/2018
CN 305024057 * 2/2019

OTHER PUBLICATIONS

“Nitecore Thumb 85,” customer review Nov. 16, 2016, amazon.com, site visited May 6, 2021, URL: https://www.amazon.com/Nitecore-THUMB-Lumens-Rechargeable-Keychain/dp/B01KP4QHWA/ref=sr_1_25?dchild=1&keywords=light+with+hat+clip&qid=1620325888&s=hi&sr=1-25 (Year: 2016).*

“TOMOL Clip Headlamp,” Jun. 2, 2017, amazon.com, site visited May 6, 2021, URL: <https://www.amazon.com/TOMOL-Headlamp-Rotatable-Reading-Hunting/dp/B079DBHHMN/> (Year: 2017).*

* cited by examiner

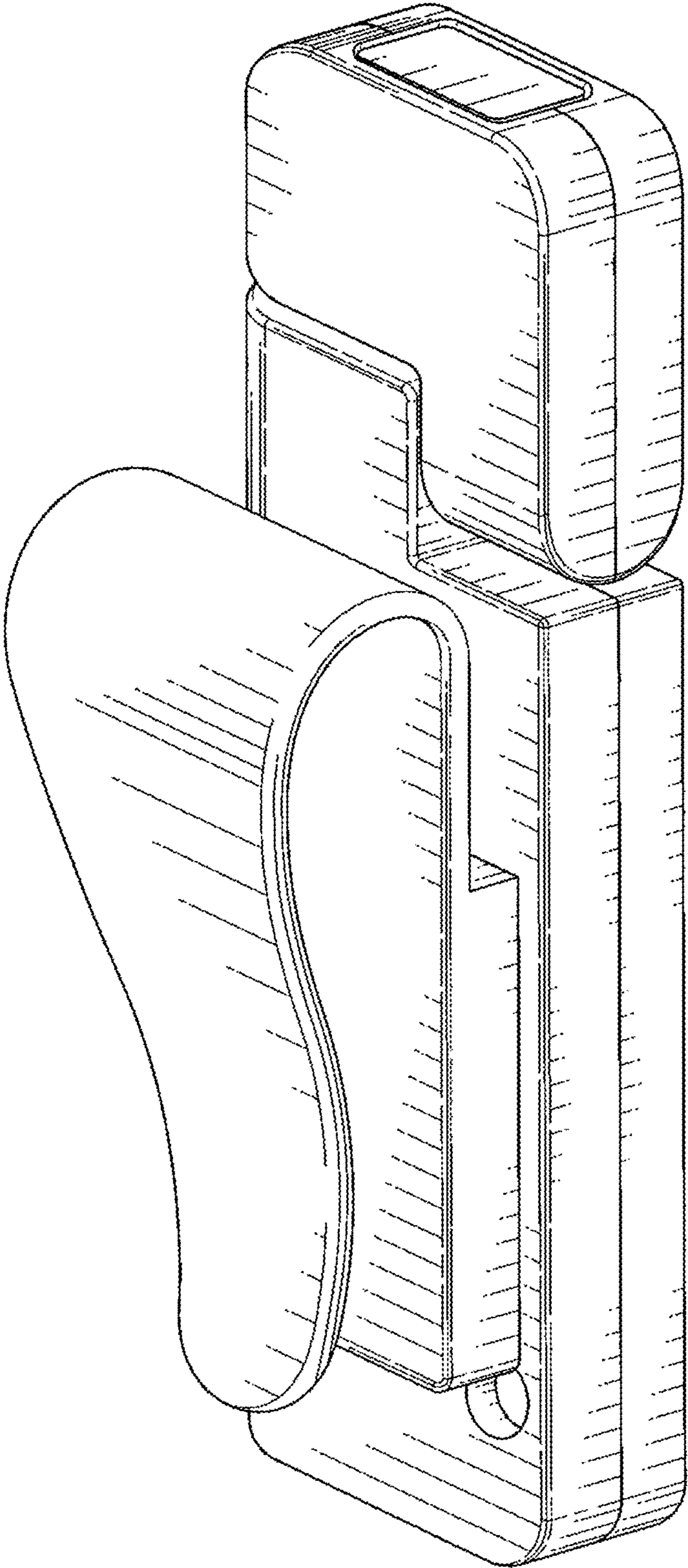


FIG. 1

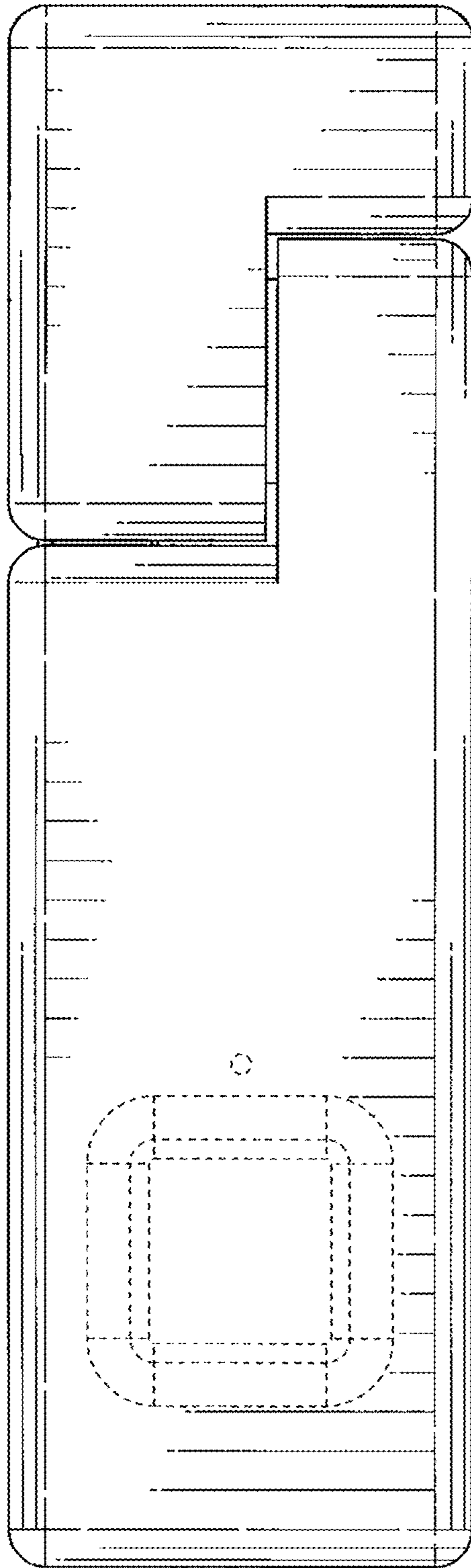


FIG. 2

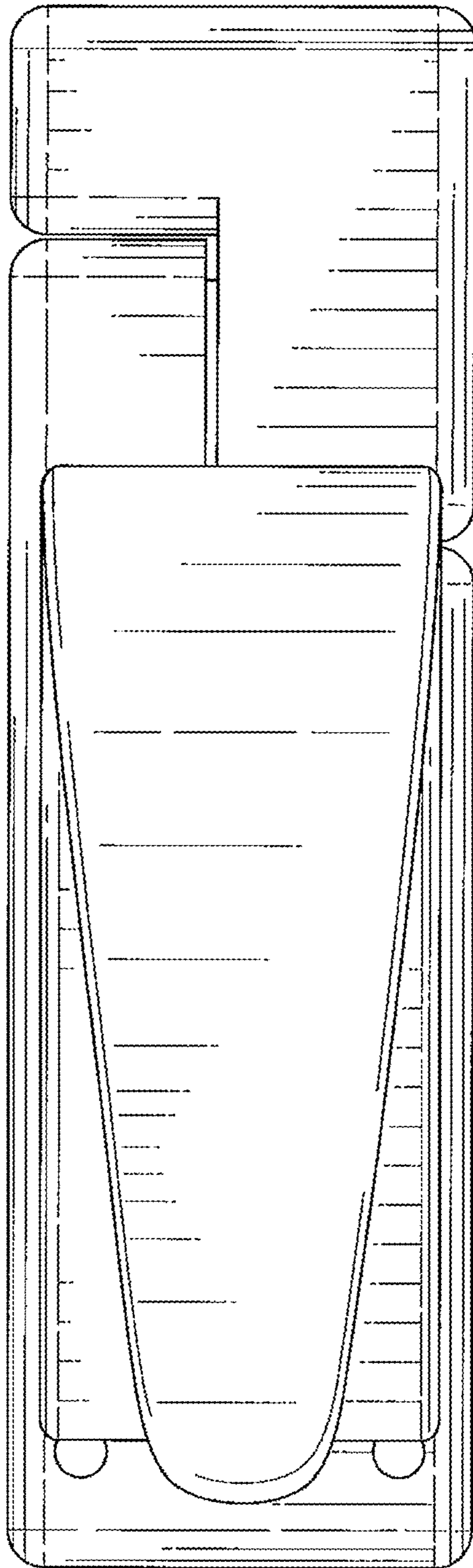


FIG. 3

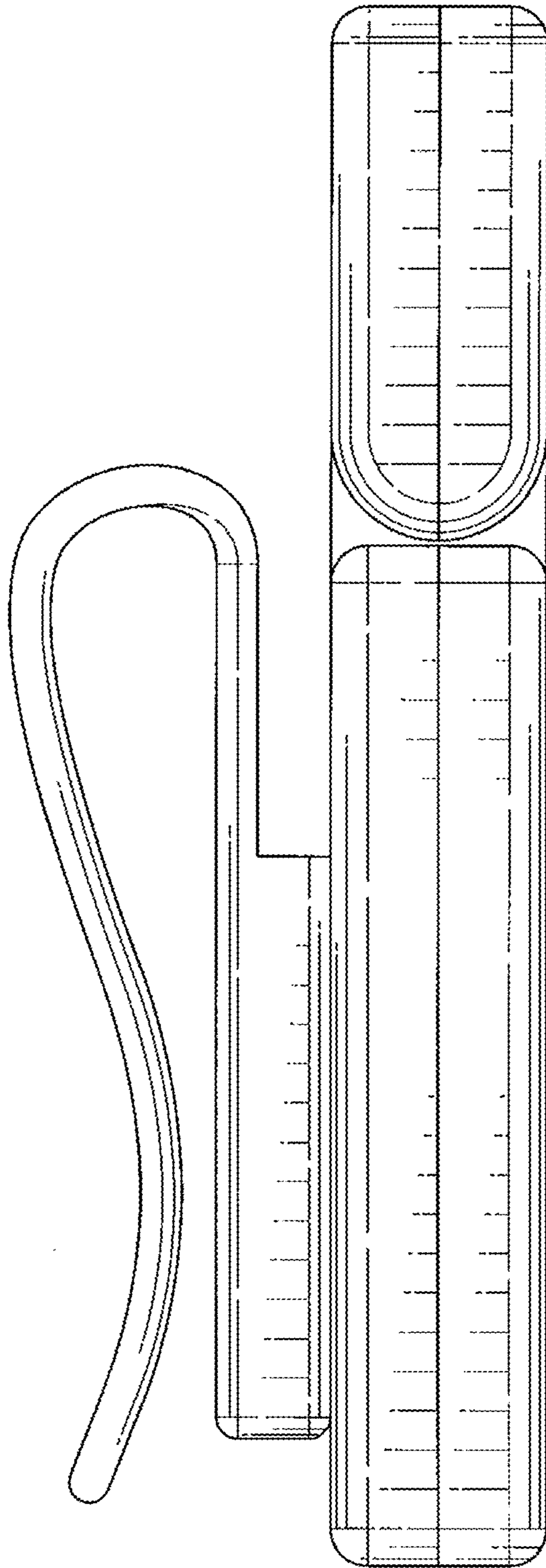


FIG. 4

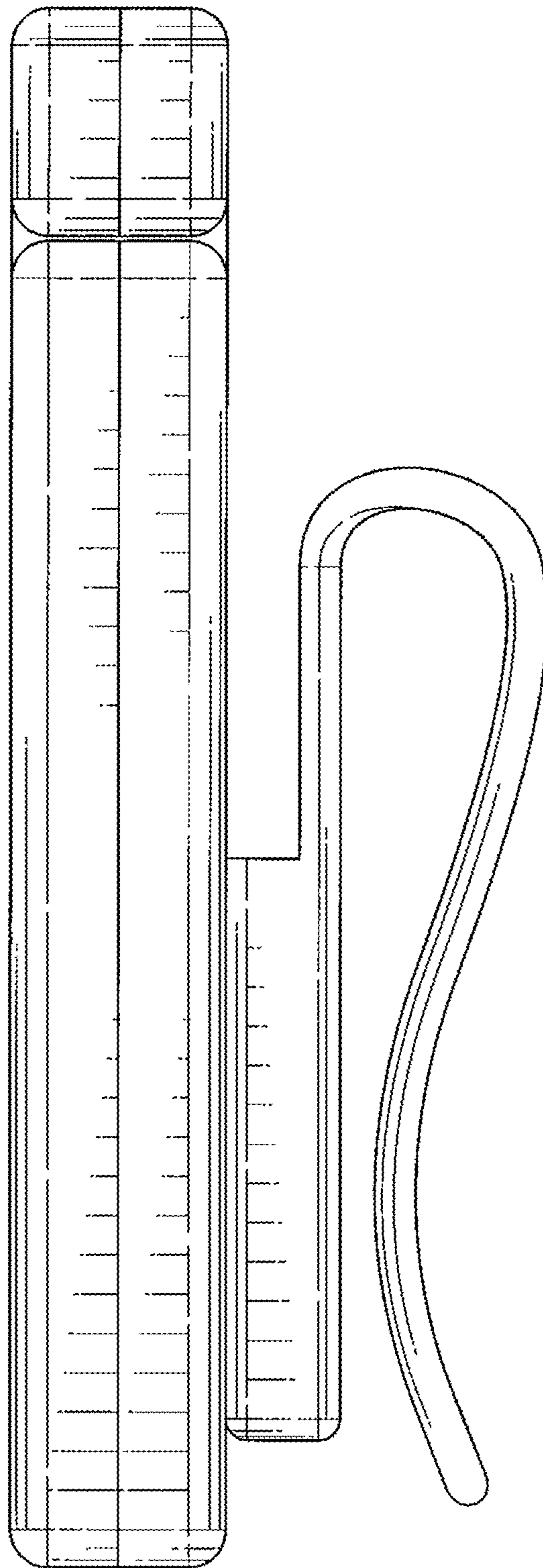


FIG. 5

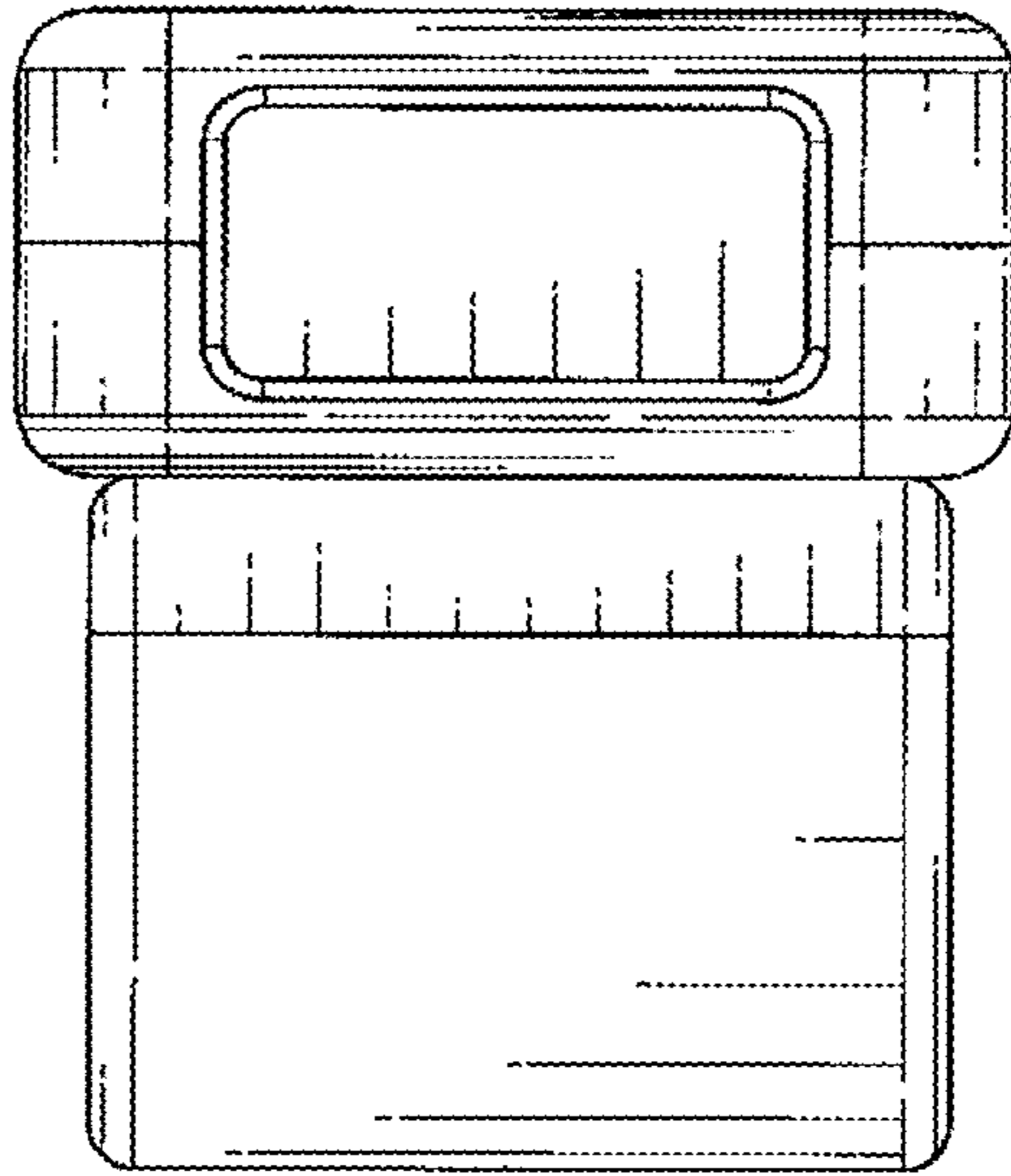


FIG. 6

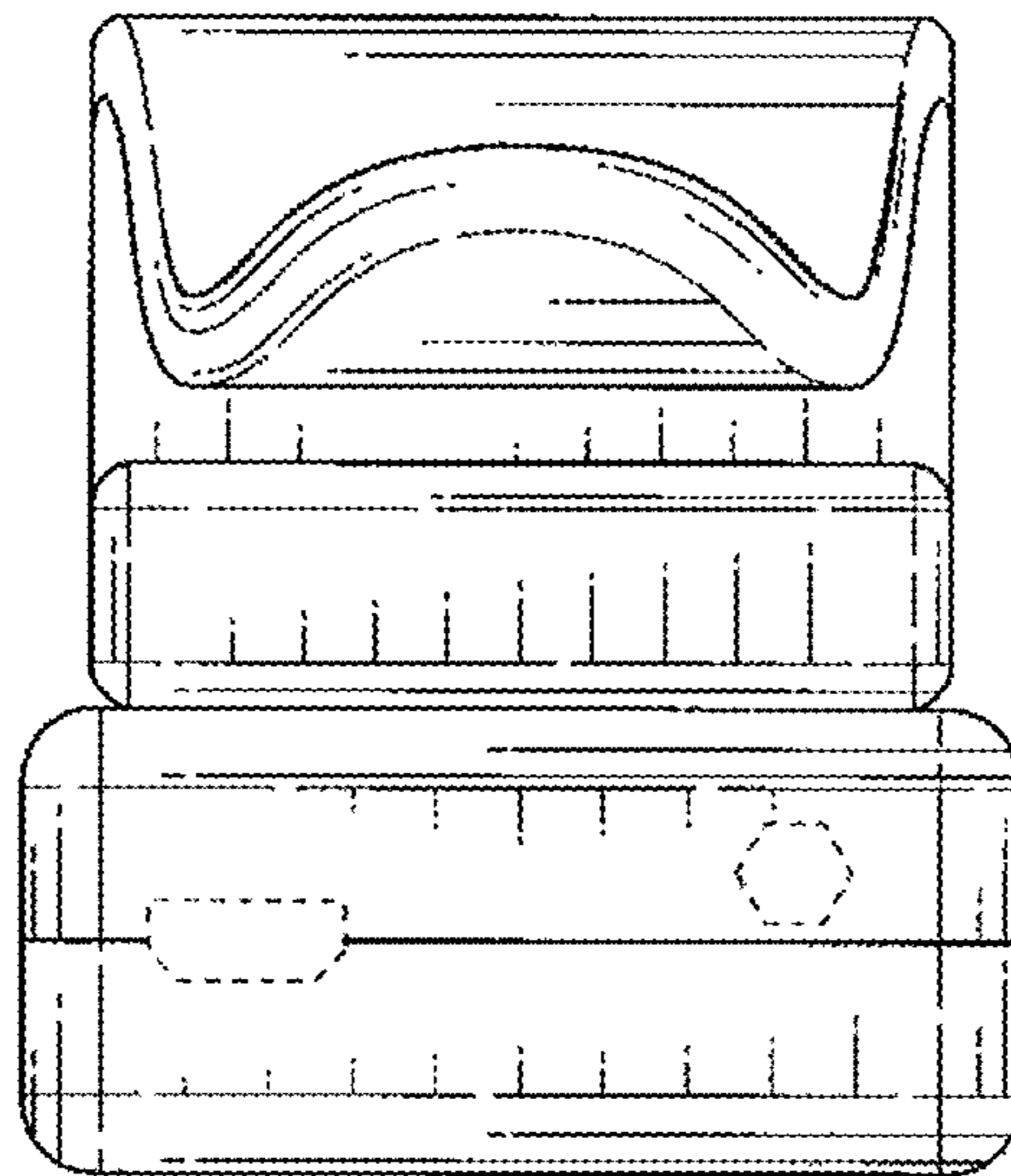


FIG. 7