



US00D948763S

(12) **United States Design Patent** (10) **Patent No.:** **US D948,763 S**  
**Petzl** (45) **Date of Patent:** **\*\* Apr. 12, 2022**

(54) **HEADLAMP**

F21V 7/00; F21V 7/22; F21V 9/08; F21V 9/40

(71) Applicant: **ZEDEL**, Crolles (FR)

See application file for complete search history.

(72) Inventor: **Paul Petzl**, Barraux (FR)

(56) **References Cited**

(73) Assignee: **ZEDEL**, Crolles (FR)

U.S. PATENT DOCUMENTS

(\*\*) Term: **15 Years**

(21) Appl. No.: **29/688,818**

D592,781 S *	5/2009	Petzl	D26/39
D739,585 S *	9/2015	Chun	D26/38
D788,337 S *	5/2017	Koshiba	D26/39
D857,958 S *	8/2019	Willows	D26/38
D861,209 S *	9/2019	Cooper	D26/37
D866,818 S *	11/2019	Lindholm	D26/28
D867,640 S *	11/2019	Windom	D26/39
D869,034 S *	12/2019	Eichelberger	D26/39
D877,950 S *	3/2020	Yau	D26/39
D884,234 S *	5/2020	Bao	D26/39
D884,944 S *	5/2020	Fitch	D26/39
D896,417 S *	9/2020	Huang	D26/37

(22) Filed: **Apr. 24, 2019**

(30) **Foreign Application Priority Data**

(Continued)

Oct. 24, 2018 (EM) ..... 005806957-0001

(51) **LOC (13) Cl.** ..... **26-02**

OTHER PUBLICATIONS

(52) **U.S. Cl.**

USPC ..... **D26/39**

Petzl Swift RL Headlamp Review. By Donald Buraglio. Dated Nov. 27, 2019. Found online [Aug. 18, 2021]. <https://ultrarunning.com/featured/petzl-swift-rl-headlamp-review/> (Year: 2019).\*

(58) **Field of Classification Search**

USPC ..... D26/24, 26, 37-51, 113, 119

CPC ..... F21Y 2115/10; F21Y 2101/00; F21Y

2103/10; F21Y 2105/10; F21Y 2105/16;

F21Y 2113/10; F21Y 2113/13; F21Y

2115/00; F21W 2102/13; F21W 2102/18;

F21W 2102/135; F21W 2102/19; F21W

2102/145; F21W 2102/16; F21W

2107/17; F21W 2102/00; F21W 2102/10;

F21W 2102/14; F21W 2102/155; F21W

2102/165; F21W 2102/20; F21W

2103/55; F21W 2103/60; F21V 9/14;

F21V 29/51; F21V 5/04; F21V 9/30;

F21V 14/04; F21V 17/18; F21V 19/04;

F21V 21/06; F21V 21/088; F21V 21/22;

F21V 2200/00; F21V 29/78; F21V 29/85;

F21V 5/00; F21V 5/045; F21V 5/048;

*Primary Examiner* — Marissa J Cash

*Assistant Examiner* — William B Melliar

(74) *Attorney, Agent, or Firm* — Oliff PLC

(57)

**CLAIM**

The ornamental design for a headlamp, as shown and described.

**DESCRIPTION**

FIG. 1 is a front, right-side, top perspective view of the headlamp, showing the new design;

FIG. 2 is a rear, right-side, top perspective view thereof;

FIG. 3 is a front elevational view thereof;

FIG. 4 is a rear elevational view thereof;

FIG. 5 is a left-side elevational view thereof;

FIG. 6 is a right-side elevational view thereof;

FIG. 7 is a top plan view thereof; and,

(Continued)

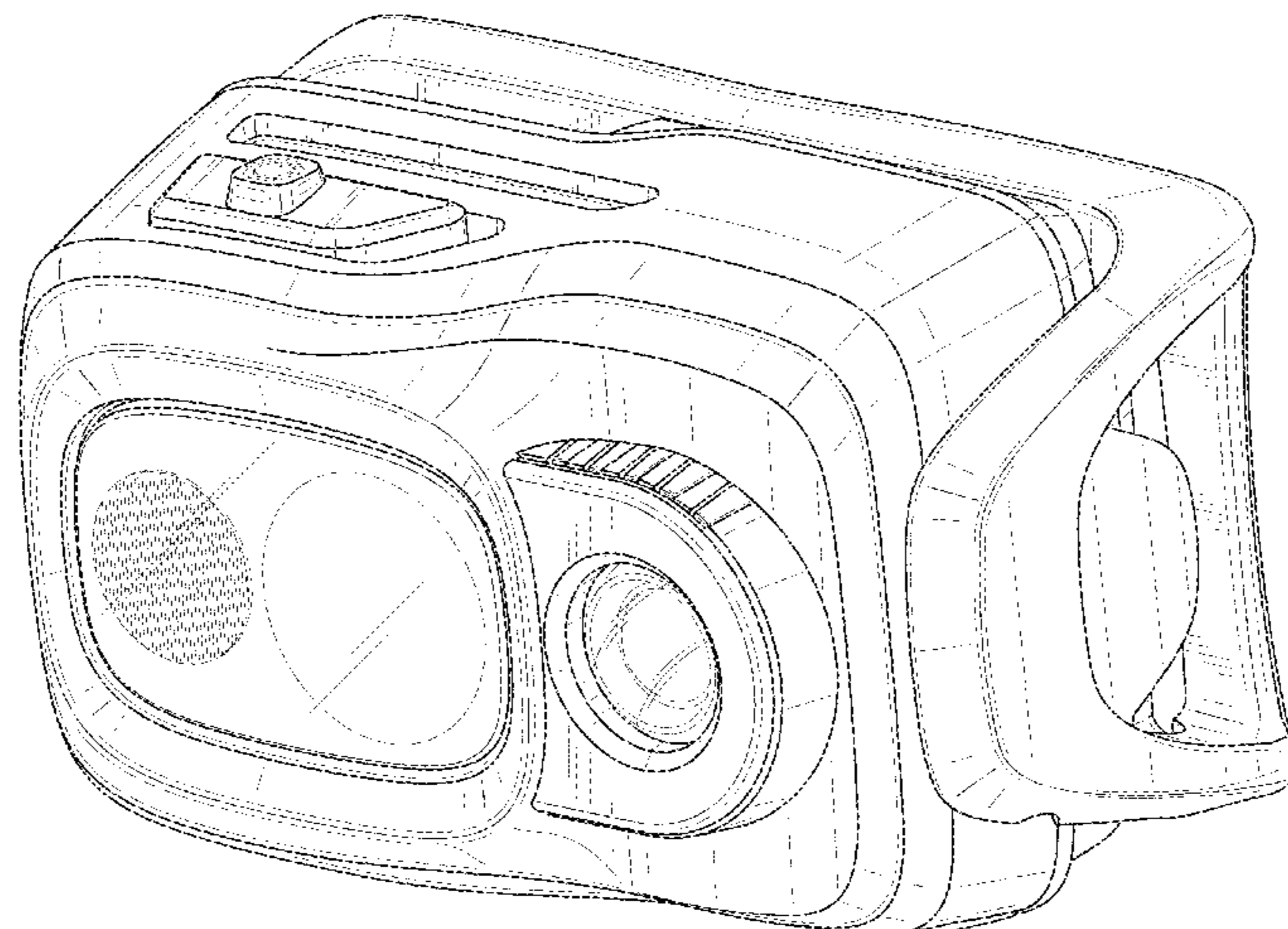


FIG. 8 is a bottom plan view thereof.  
The broken lines depict parts of the headlamp that form no part of the claimed design.

**1 Claim, 8 Drawing Sheets**

(56) **References Cited**

U.S. PATENT DOCUMENTS

D918,447 S *	5/2021	Sun	.....	D26/39
D919,143 S *	5/2021	Gao	.....	D26/39
D919,144 S *	5/2021	Gao	.....	D26/39
D919,145 S *	5/2021	Gao	.....	D26/39

\* cited by examiner

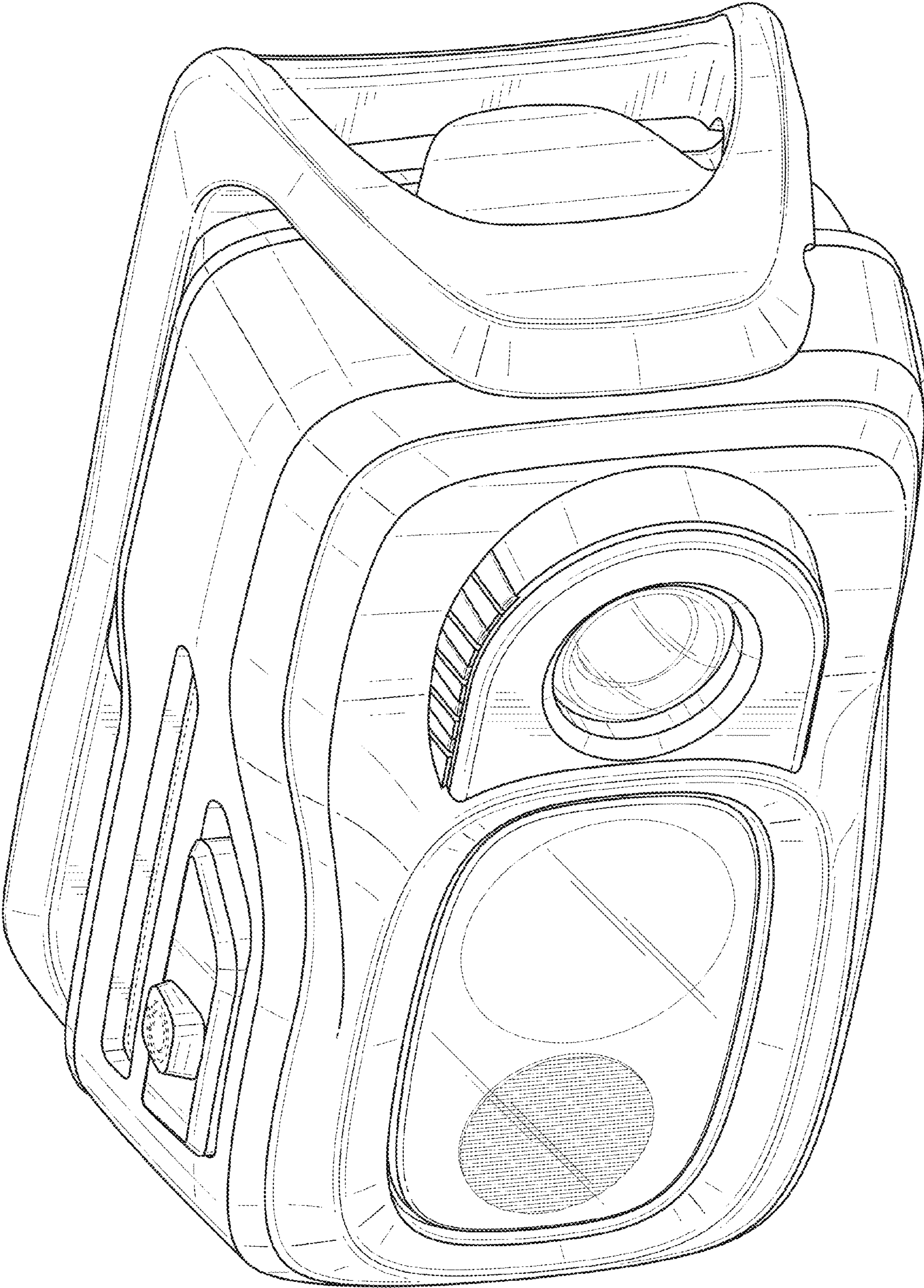


FIG. 1

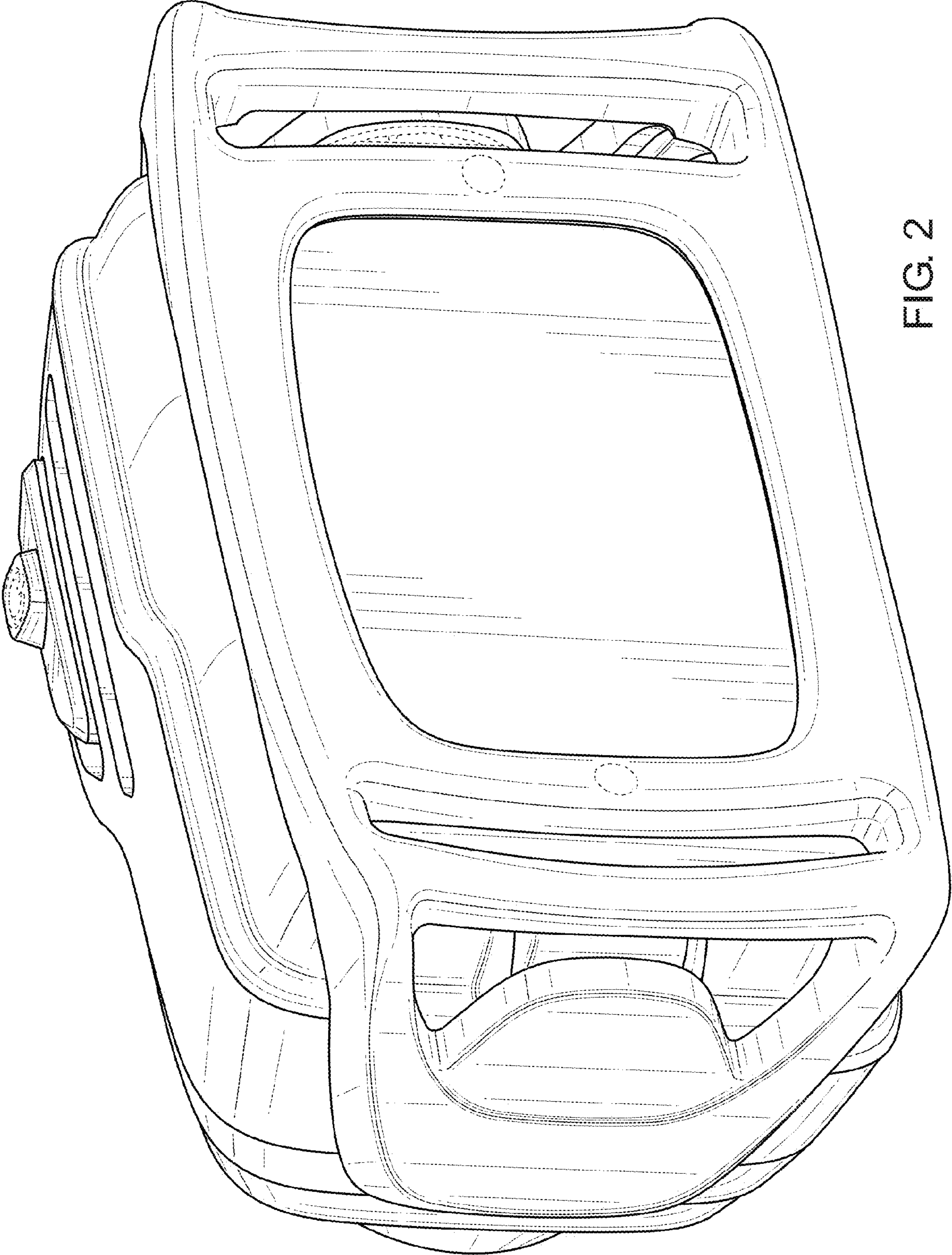


FIG. 2

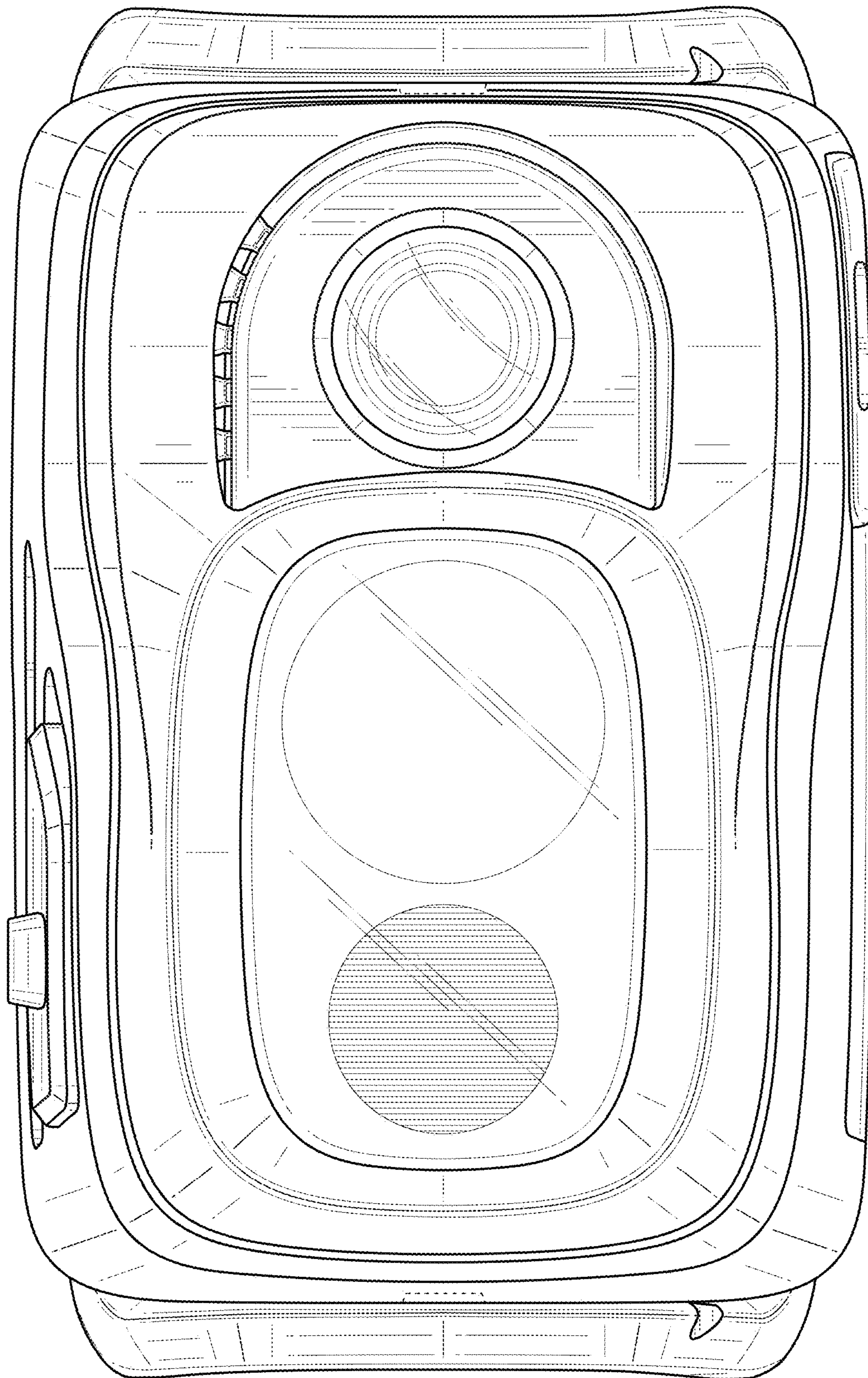


FIG. 3

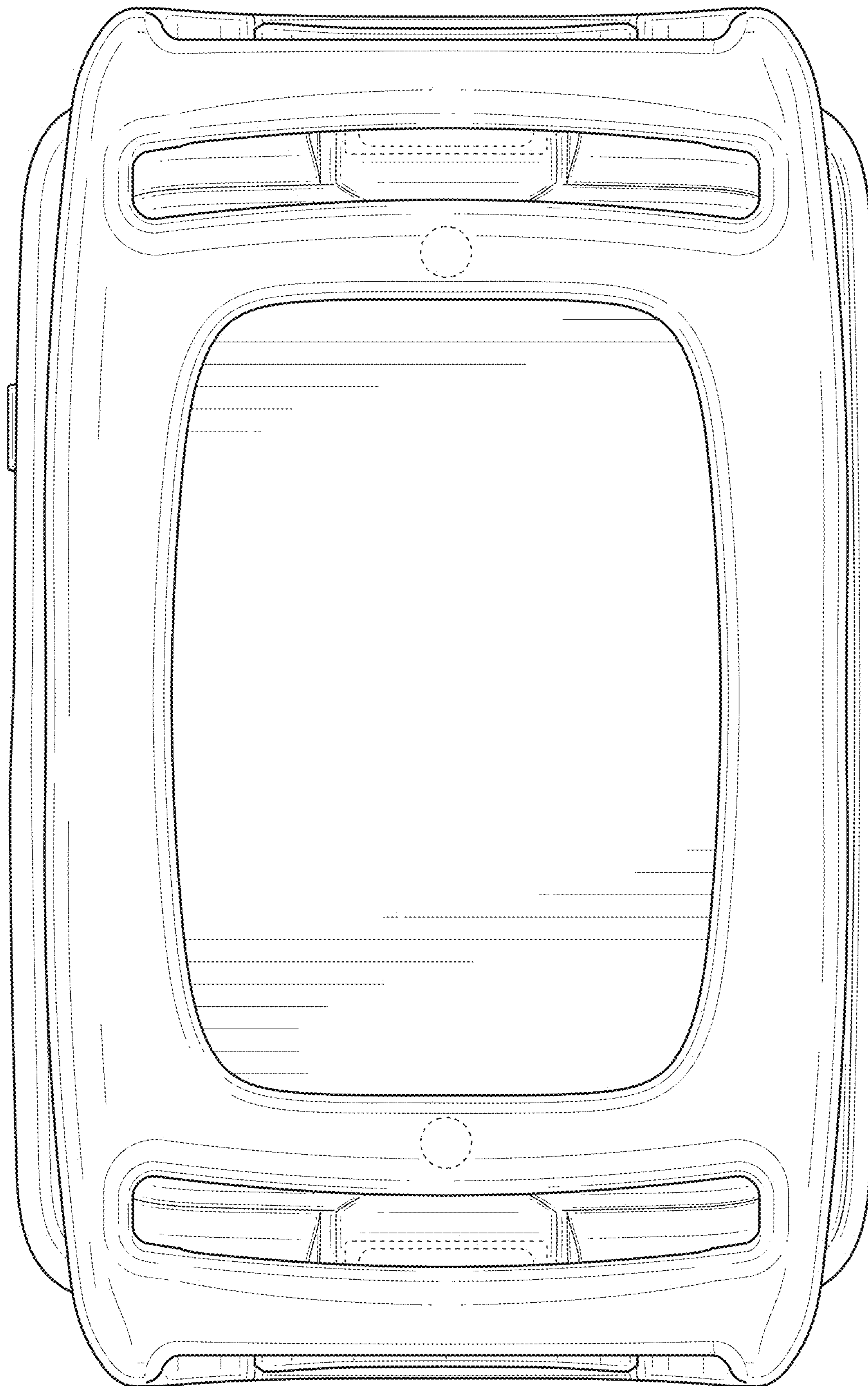


FIG. 4

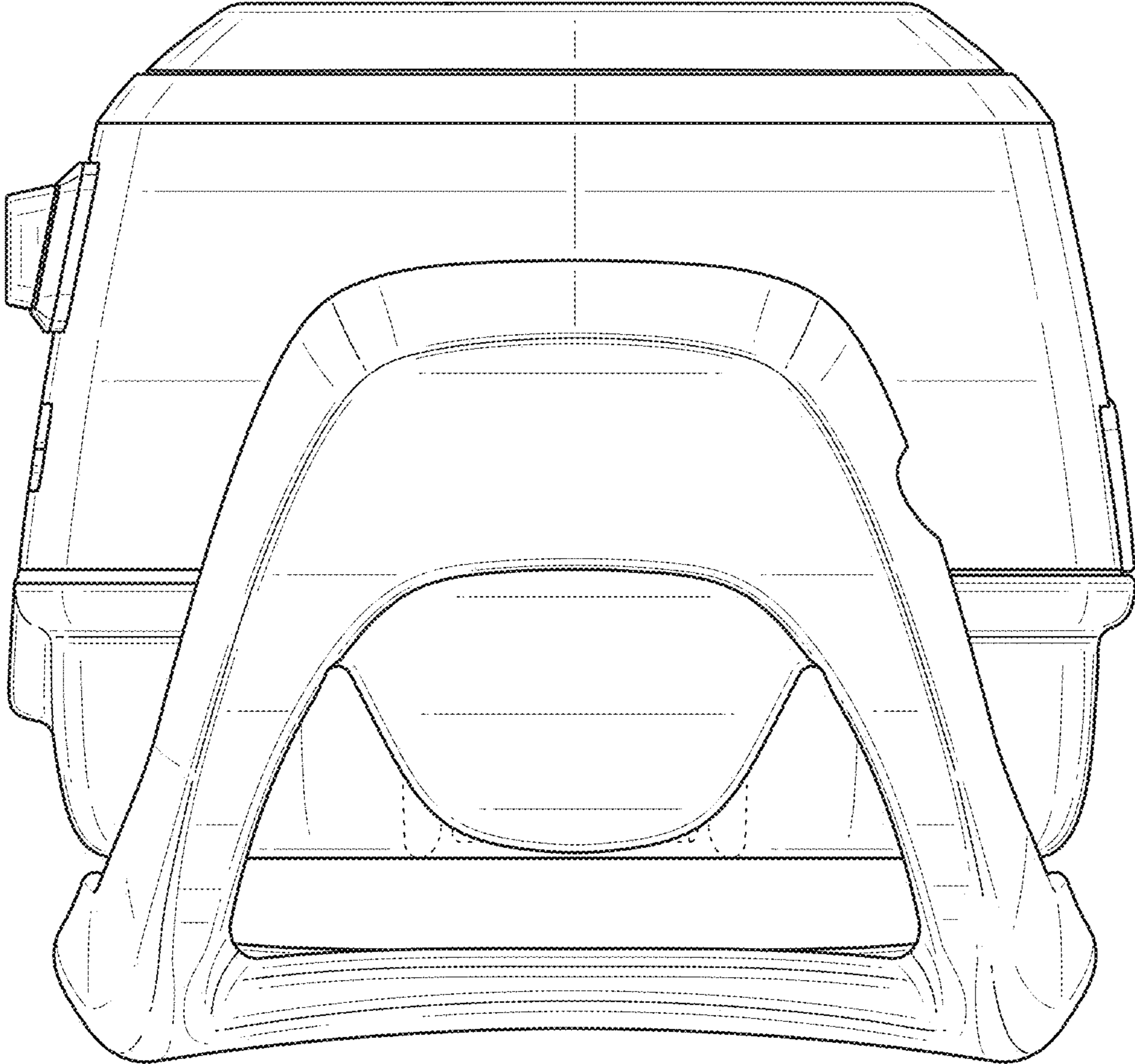


FIG. 5

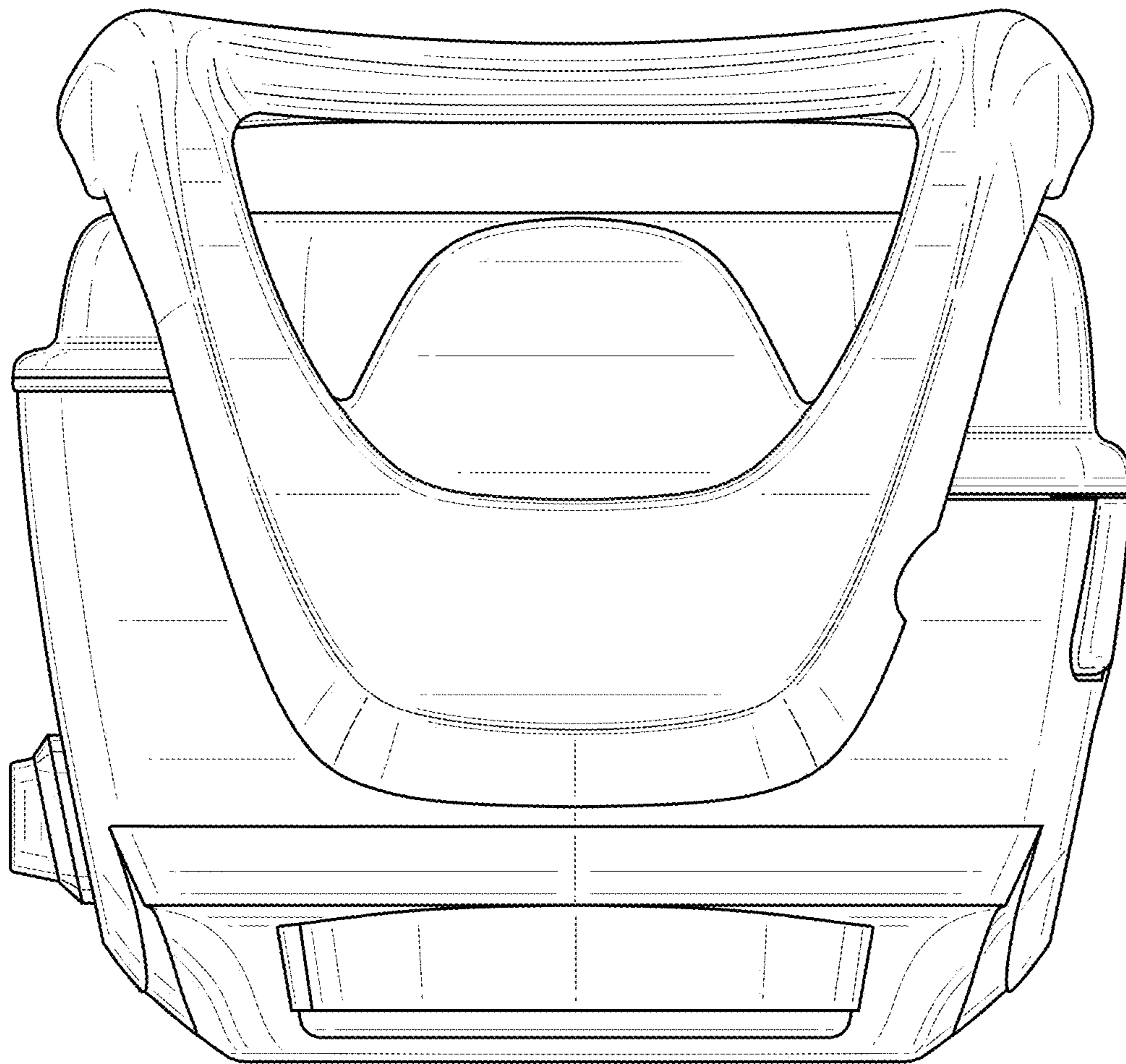


FIG. 6



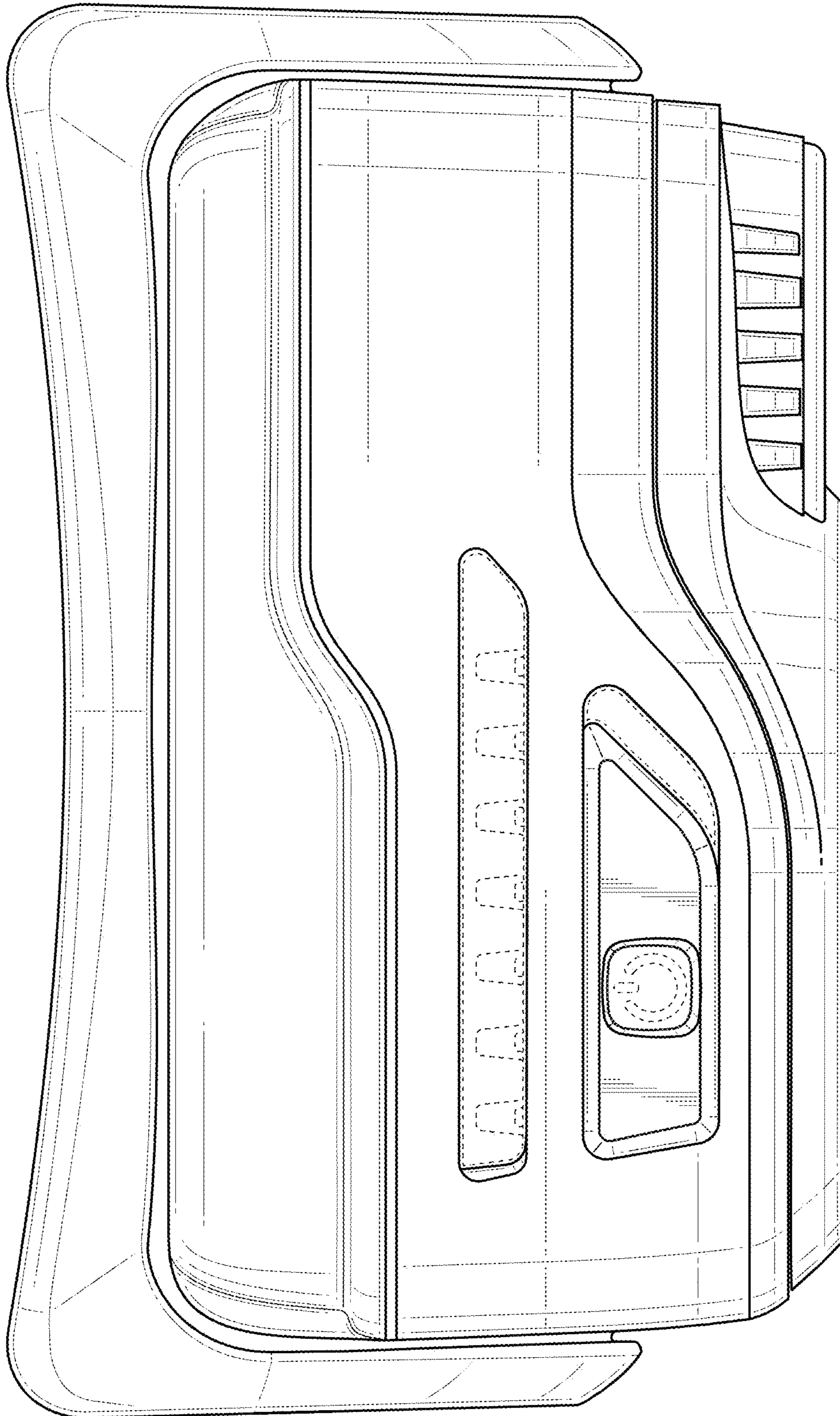


FIG. 7

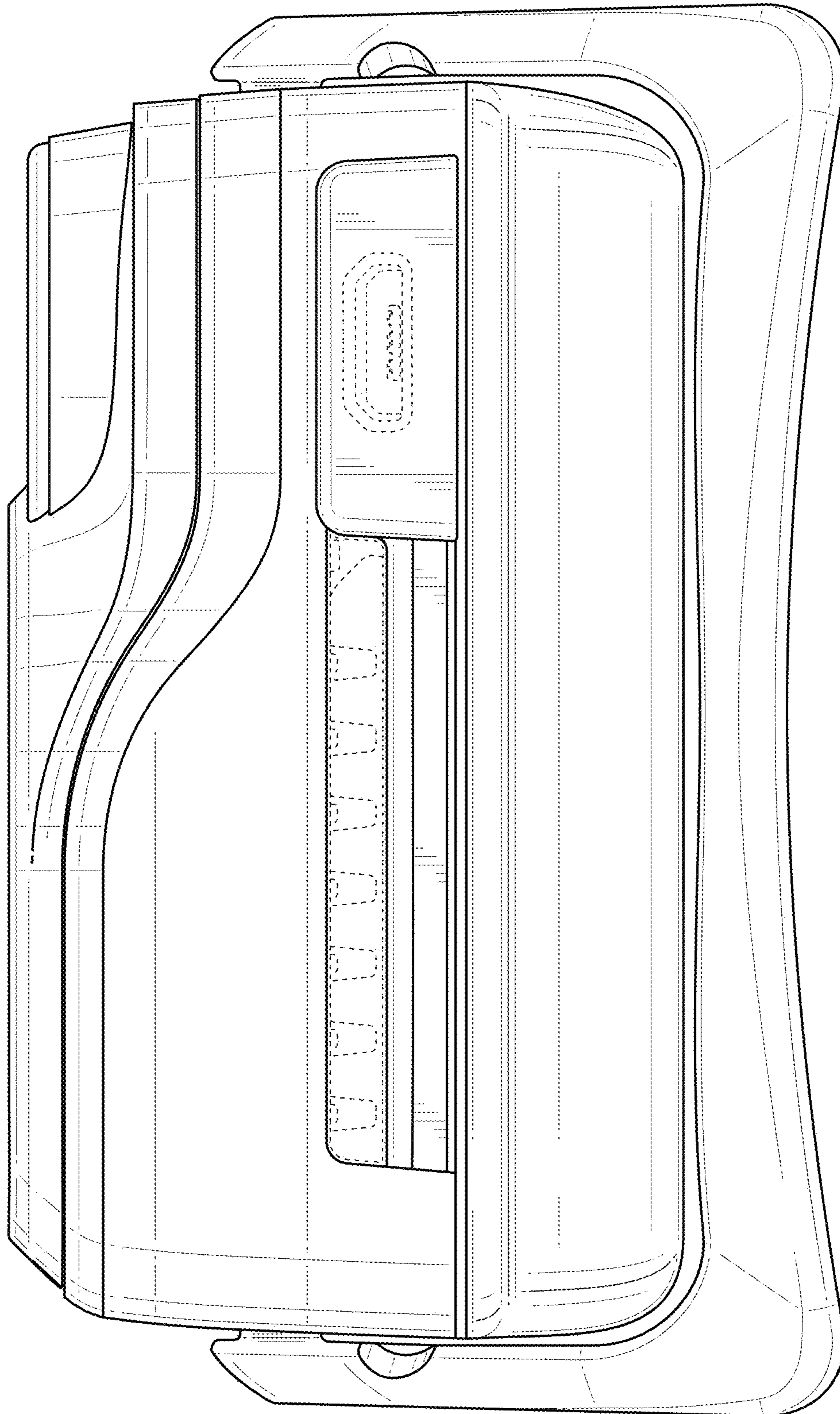


FIG. 8