



US00D948762S

(12) **United States Design Patent**  
**Pan et al.**

(10) **Patent No.:** **US D948,762 S**

(45) **Date of Patent:** **\*\* Apr. 12, 2022**

(54) **LIGHT**

(71) Applicant: **Ningbo Mayflower Optoelectronics Co., Ltd.**, Ningbo (CN)

(72) Inventors: **Jianguang Pan**, Ningbo (CN); **Stefan Feustel**, Ningbo (CN)

(73) Assignee: **Ningbo Mayflower Optoelectronics Co., Ltd.**, Ningbo (CN)

(\*\*) Term: **15 Years**

(21) Appl. No.: **29/625,092**

(22) Filed: **Nov. 7, 2017**

(30) **Foreign Application Priority Data**

May 11, 2017 (CN) ..... 201730184141.8

(51) **LOC (13) Cl.** ..... **26-02**

(52) **U.S. Cl.**  
USPC ..... **D26/37**

(58) **Field of Classification Search**  
USPC ..... D26/37-51  
CPC ..... F21L 2003/00; F21L 4/00; F21L 4/005;  
F21L 4/02; F21L 4/025; F21L 4/027;  
F21L 4/04; F21L 4/08; F21L 2005/00;  
F21L 7/00; F21L 11/00; F21L 13/00;  
F21L 13/04; F21L 13/08; F21L 14/02;  
F21L 17/00; F21L 19/00; F21L 25/00  
See application file for complete search history.

(56) **References Cited**

**U.S. PATENT DOCUMENTS**

D361,396 S \* 8/1995 Bruckler ..... D26/39  
D375,371 S \* 11/1996 May ..... D26/28  
D524,959 S \* 7/2006 Shiu ..... D26/28  
D528,676 S \* 9/2006 Leslie ..... D26/28

D595,884 S \* 7/2009 Liao ..... D26/28  
D709,222 S \* 7/2014 Poon ..... D26/28  
D744,132 S \* 11/2015 Hollingworth ..... D26/28  
D746,501 S \* 12/2015 Chen ..... D26/60  
D747,014 S \* 1/2016 Chen ..... D26/28  
D759,859 S \* 6/2016 Ng ..... D26/28  
D759,860 S \* 6/2016 Ng ..... D26/28  
D768,897 S \* 10/2016 Cooper ..... D26/37  
D788,332 S \* 5/2017 Amaduzzi ..... D26/28  
D799,085 S \* 10/2017 Huang ..... D26/39  
D814,677 S \* 4/2018 Sukphisit ..... D26/60  
D821,007 S \* 6/2018 Chen ..... D26/39  
D831,244 S \* 10/2018 Lai ..... D26/28  
D836,808 S \* 12/2018 Marshall ..... D26/28  
D840,078 S \* 2/2019 Marshall ..... D26/60  
D840,079 S \* 2/2019 Marshall ..... D26/60

\* cited by examiner

*Primary Examiner* — Marissa J Cash

*Assistant Examiner* — William B Melliar

(74) *Attorney, Agent, or Firm* — Raymond Y. Chan;  
David and Raymond Patent Firm

(57) **CLAIM**

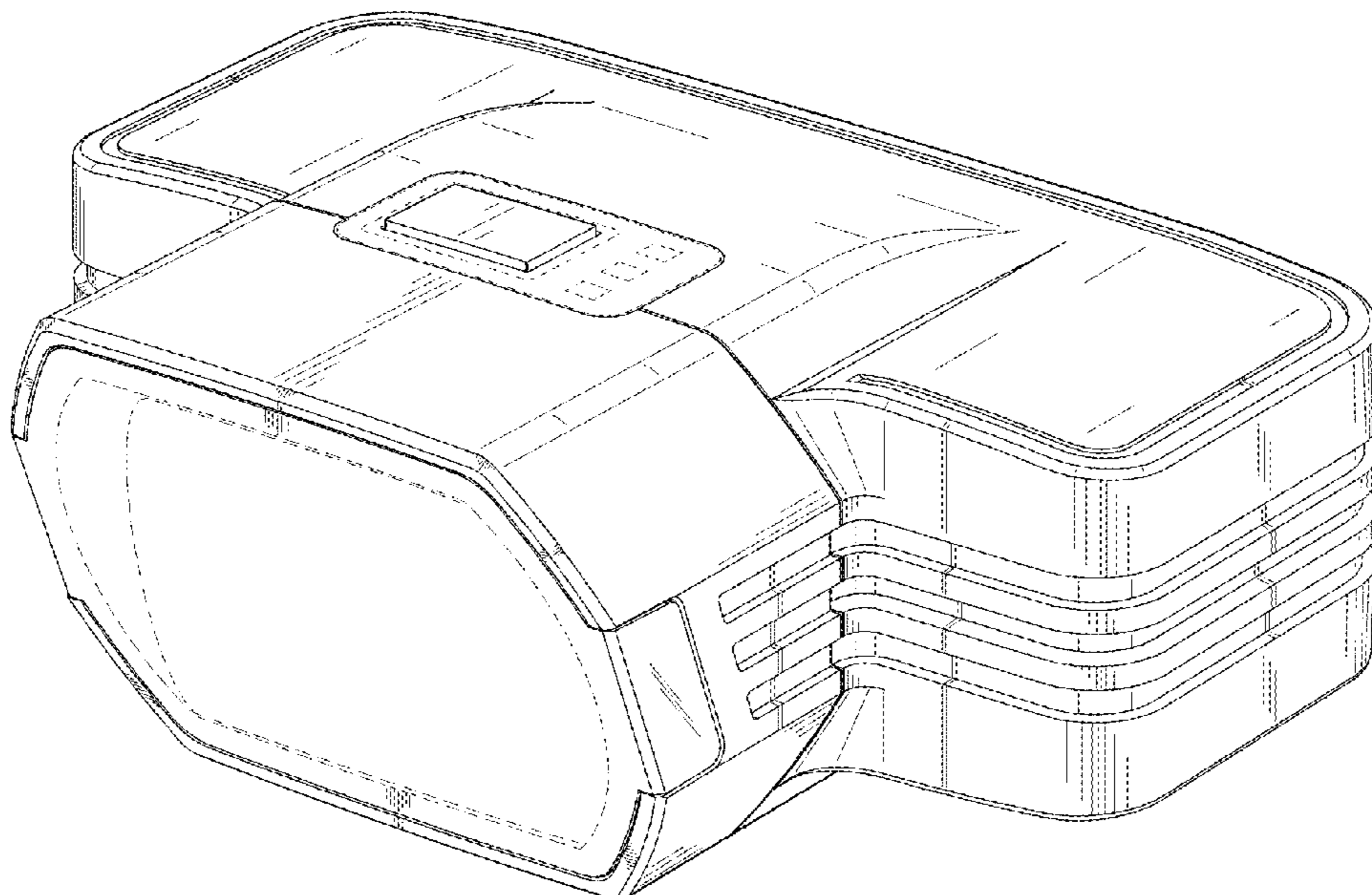
The ornamental design for a light, as shown and described.

**DESCRIPTION**

FIG. 1 is a perspective view of the light showing my new design;  
FIG. 2 is a front view thereof;  
FIG. 3 is a rear view thereof;  
FIG. 4 is a left view thereof;  
FIG. 5 is a right view thereof;  
FIG. 6 is a top view thereof; and,  
FIG. 7 is a bottom view thereof.

The broken lines represent unclaimed portions of the design article. All of the broken lines forms no part of the claimed design.

**1 Claim, 7 Drawing Sheets**



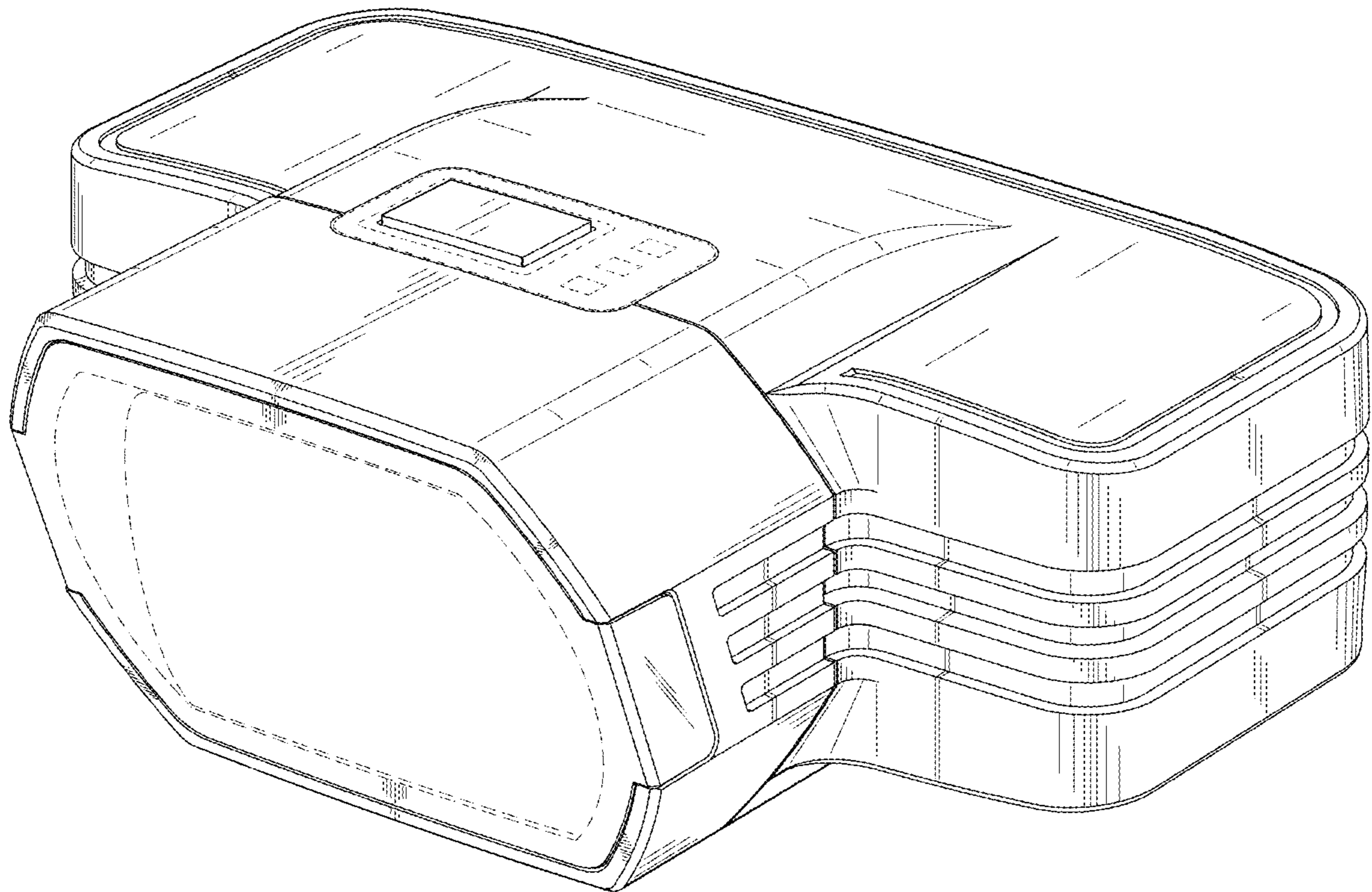


FIG.1

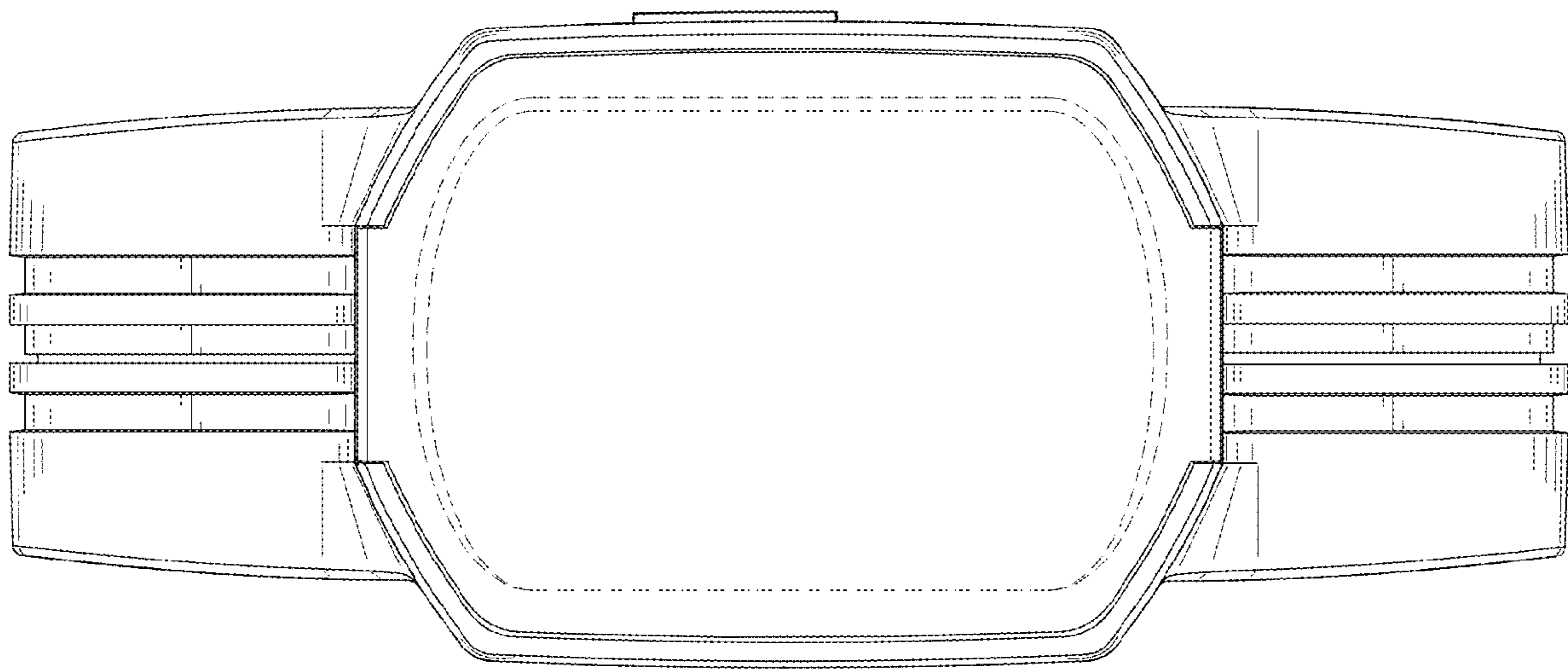


FIG.2

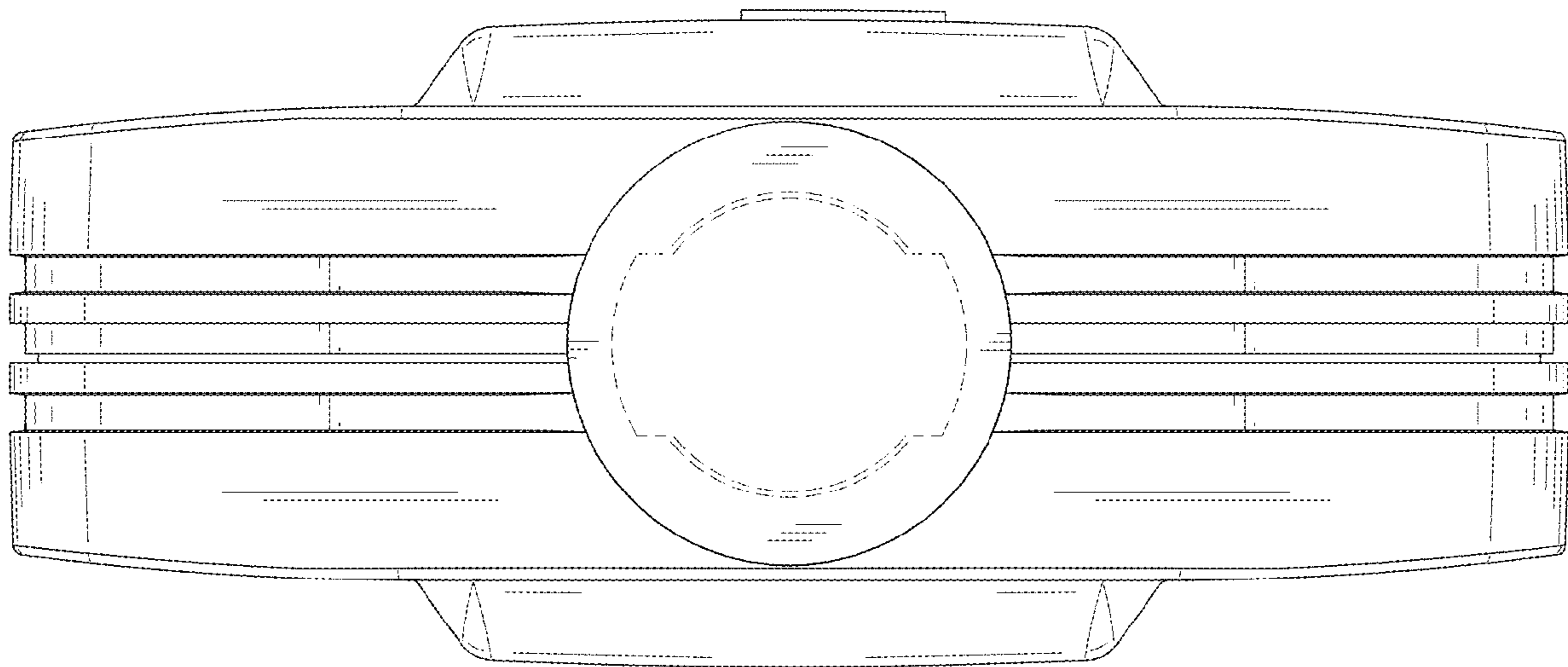


FIG.3



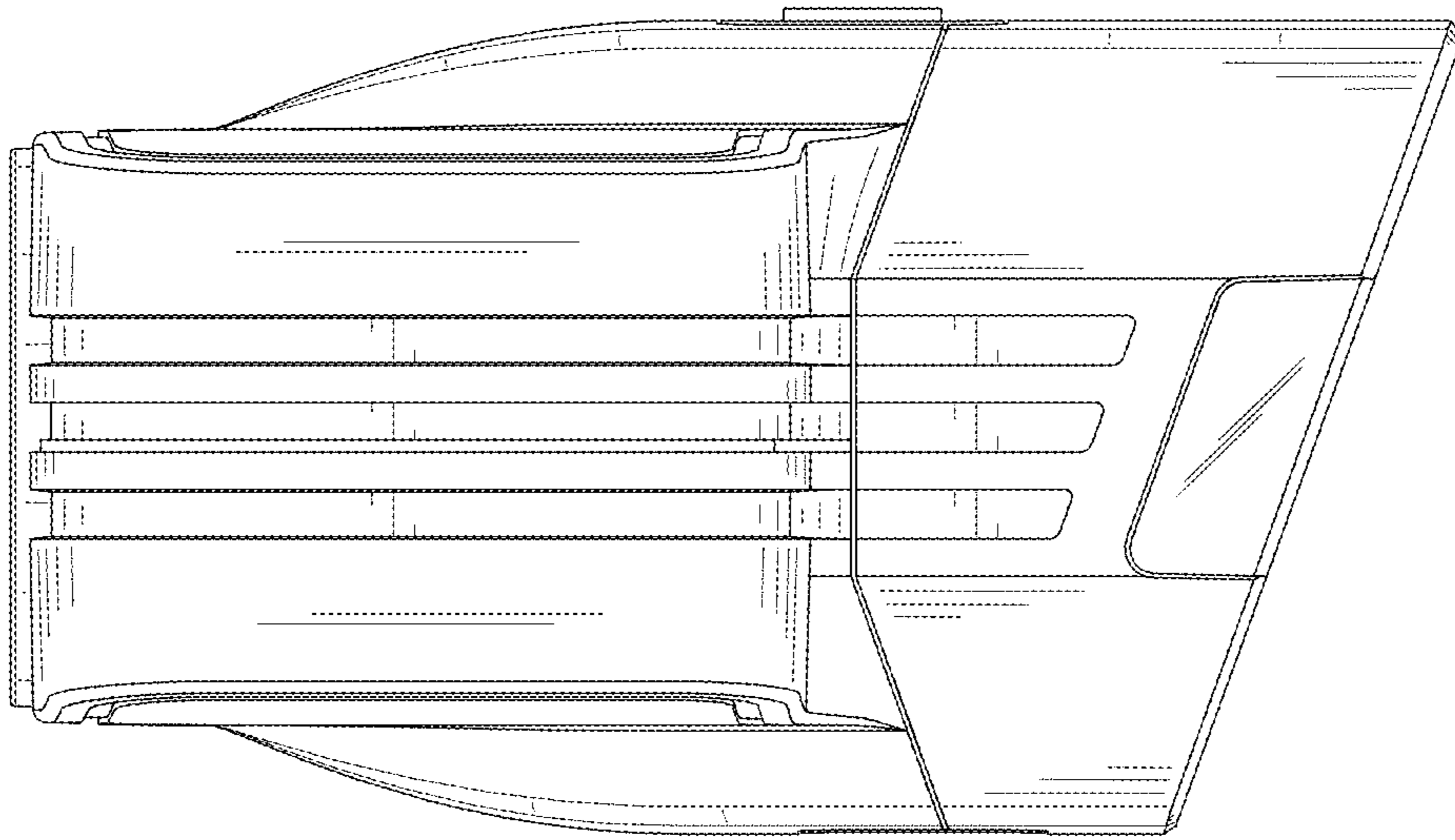


FIG.4

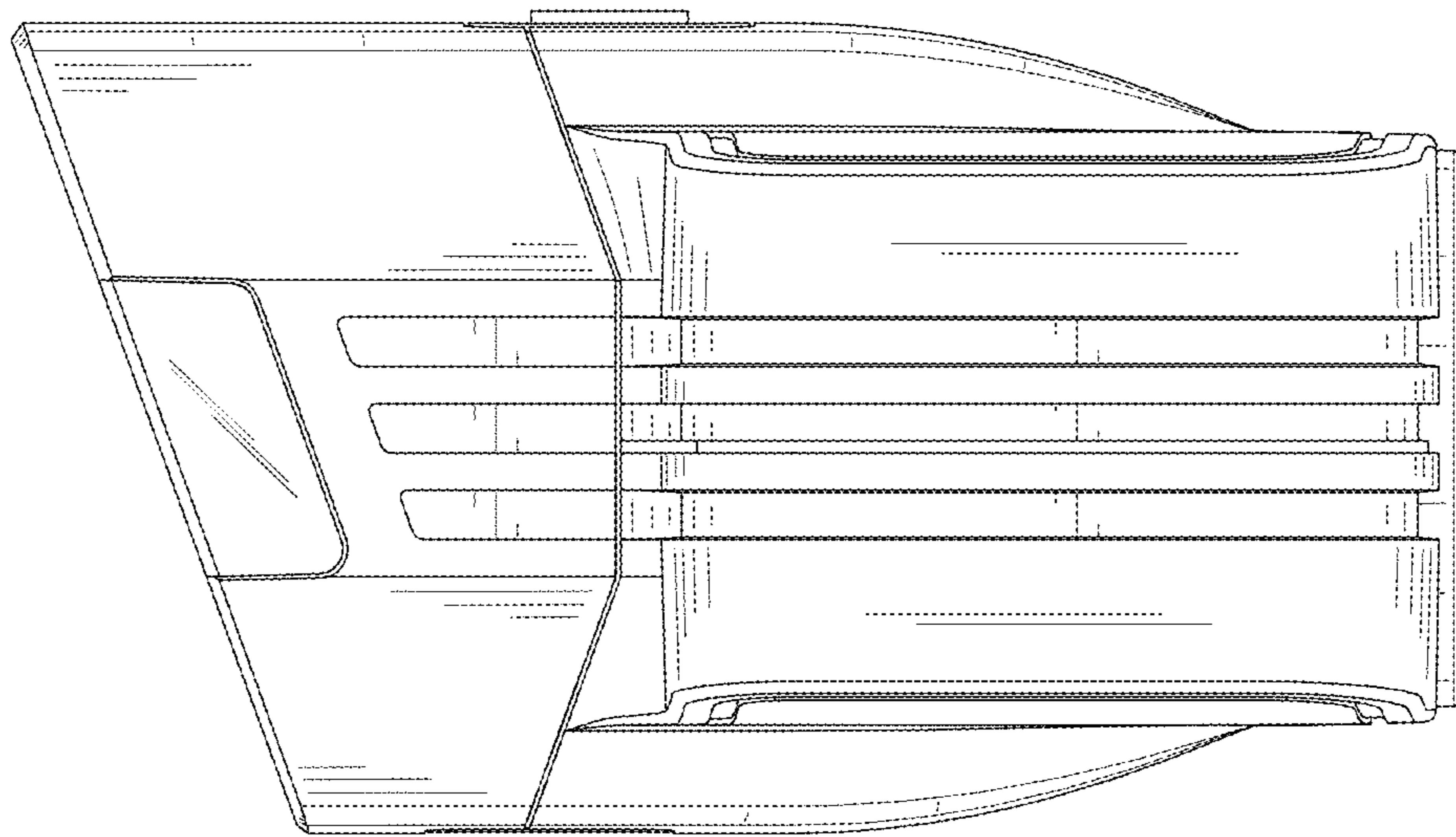


FIG.5

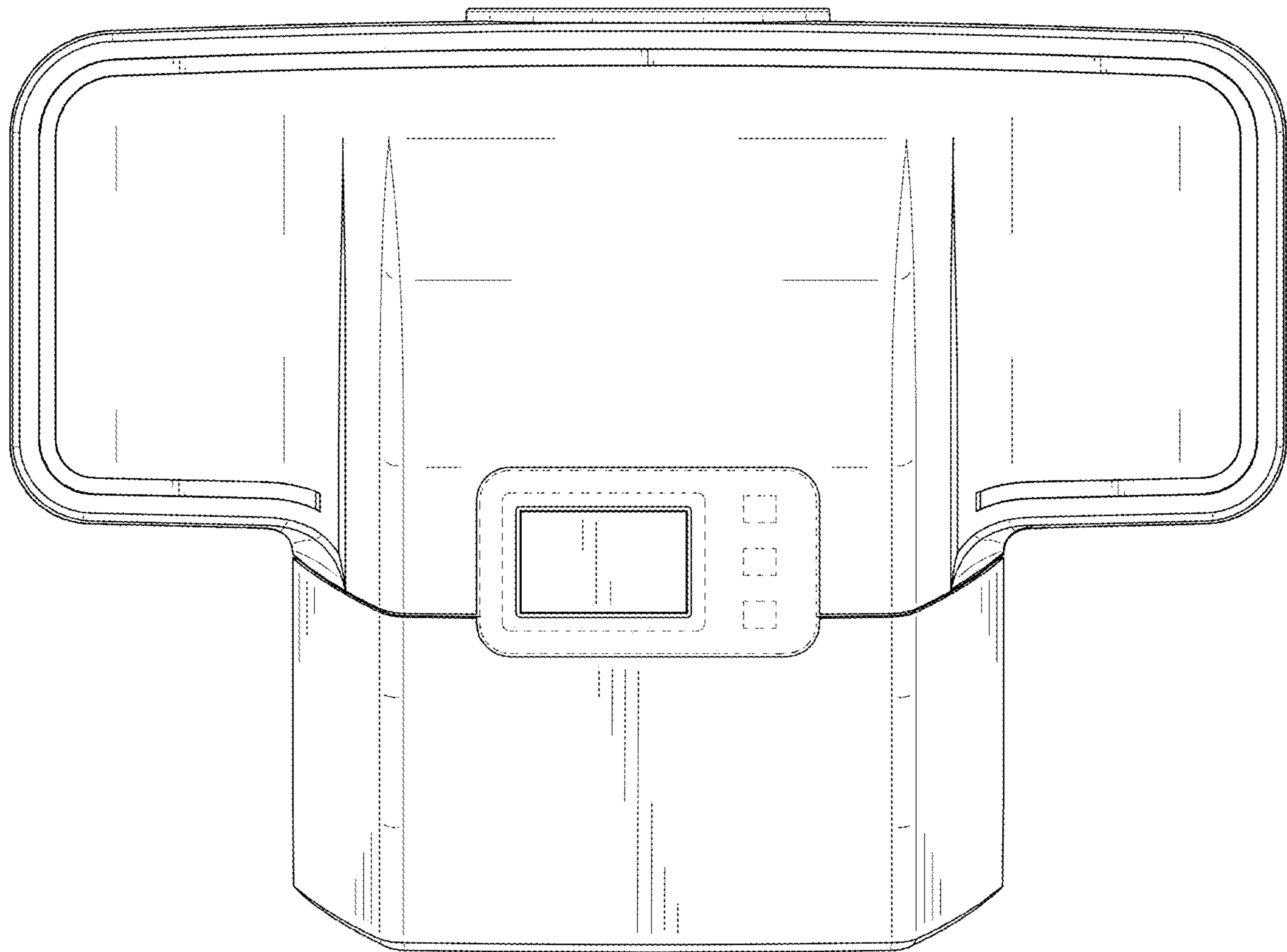


FIG.6

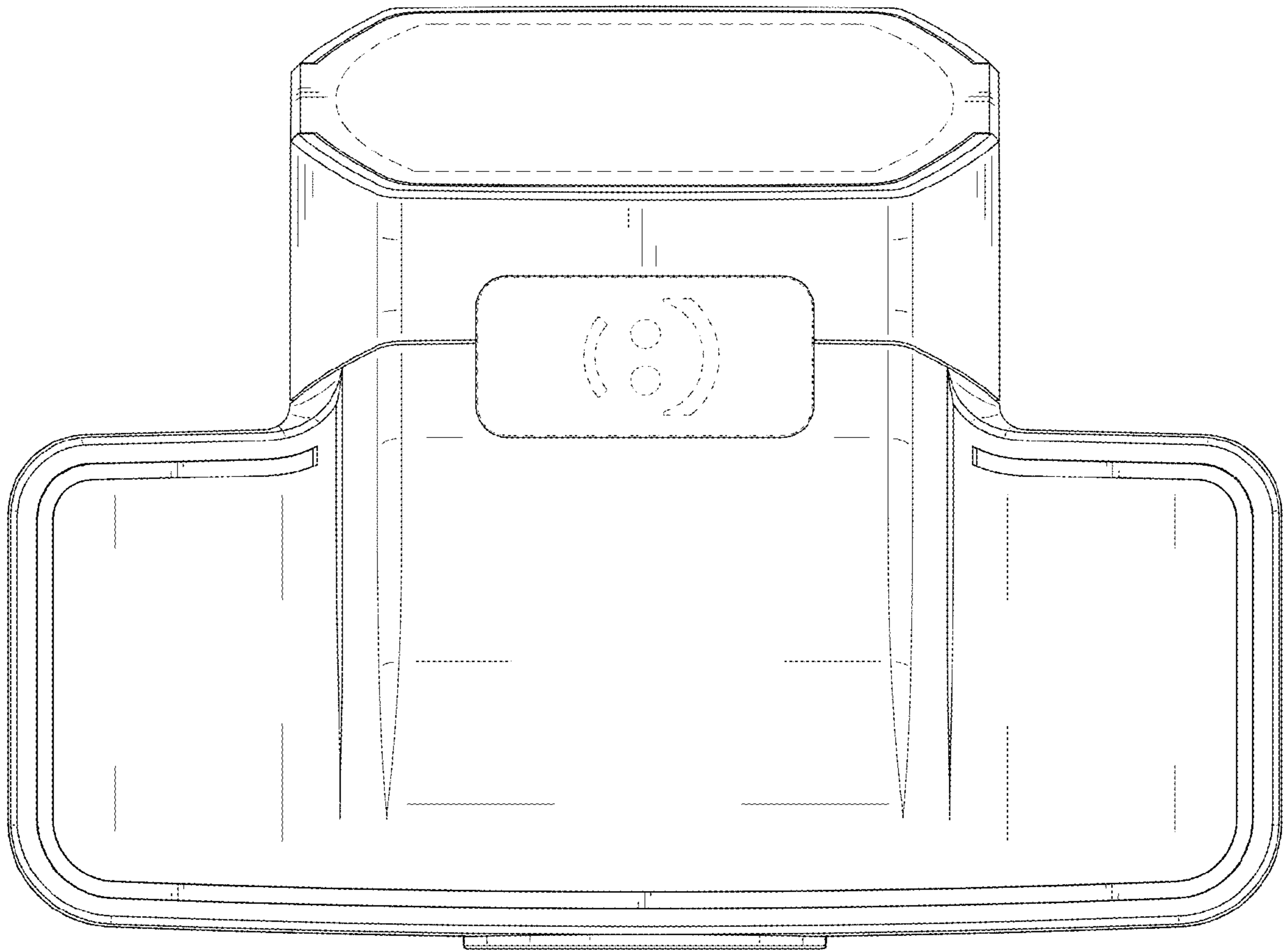


FIG.7