



US00D948760S

(12) **United States Design Patent** (10) **Patent No.:** **US D948,760 S**
Jeong et al. (45) **Date of Patent:** **** Apr. 12, 2022**

(54) **HEAD LAMP FOR VEHICLES**

(56) **References Cited**

(71) Applicants: **HYUNDAI MOTOR COMPANY**,
Seoul (KR); **KIA MOTORS**
CORPORATION, Seoul (KR)

U.S. PATENT DOCUMENTS

(72) Inventors: **Da-Young Jeong**, Seongnam-si (KR);
Dai-Sung Kim, Gunpo-si (KR);
Joon-Bo Shim, Seoul (KR)

D690,041	S	*	9/2013	Lai	D26/28
D743,070	S	*	11/2015	Lai	D26/28
D747,819	S	*	1/2016	Thole	D26/28
D761,462	S	*	7/2016	Lai	D26/28
D783,189	S	*	4/2017	Nishii	D26/28
D787,726	S	*	5/2017	Hong	D26/28
D792,622	S	*	7/2017	Briscoe	D26/28
D794,232	S	*	8/2017	Lai	D26/28
D803,433	S	*	11/2017	Yang	D26/28
D819,241	S	*	5/2018	Werner	D26/28
D819,847	S	*	6/2018	Woodhouse	D26/28

(73) Assignees: **Hyundai Motor Company**, Seoul
(KR); **Kia Motors Corporation**, Seoul
(KR)

(Continued)

(**) Term: **15 Years**

Primary Examiner — Steven J Czyz

(21) Appl. No.: **35/510,905**

(74) *Attorney, Agent, or Firm* — Mintz Levin Cohn Ferris
Glovsky and Popeo, P.C.; Peter F. Corless

(22) Filed: **Nov. 19, 2020**

(57) **CLAIM**

(80) **Hague Agreement Data**

The ornamental design for a head lamp for vehicles, as
shown and described.

Int. Filing Date: **Nov. 19, 2020**

DESCRIPTION

Int. Reg. No.: **DM/211463**

Int. Reg. Date: **Nov. 19, 2020**

Int. Reg. Pub. Date: **Dec. 11, 2020**

(30) **Foreign Application Priority Data**

Jul. 1, 2020 (KR) 30-2020-0030017

(51) **LOC (13) Cl.** **26-06**

(52) **U.S. Cl.**
USPC **D26/28**

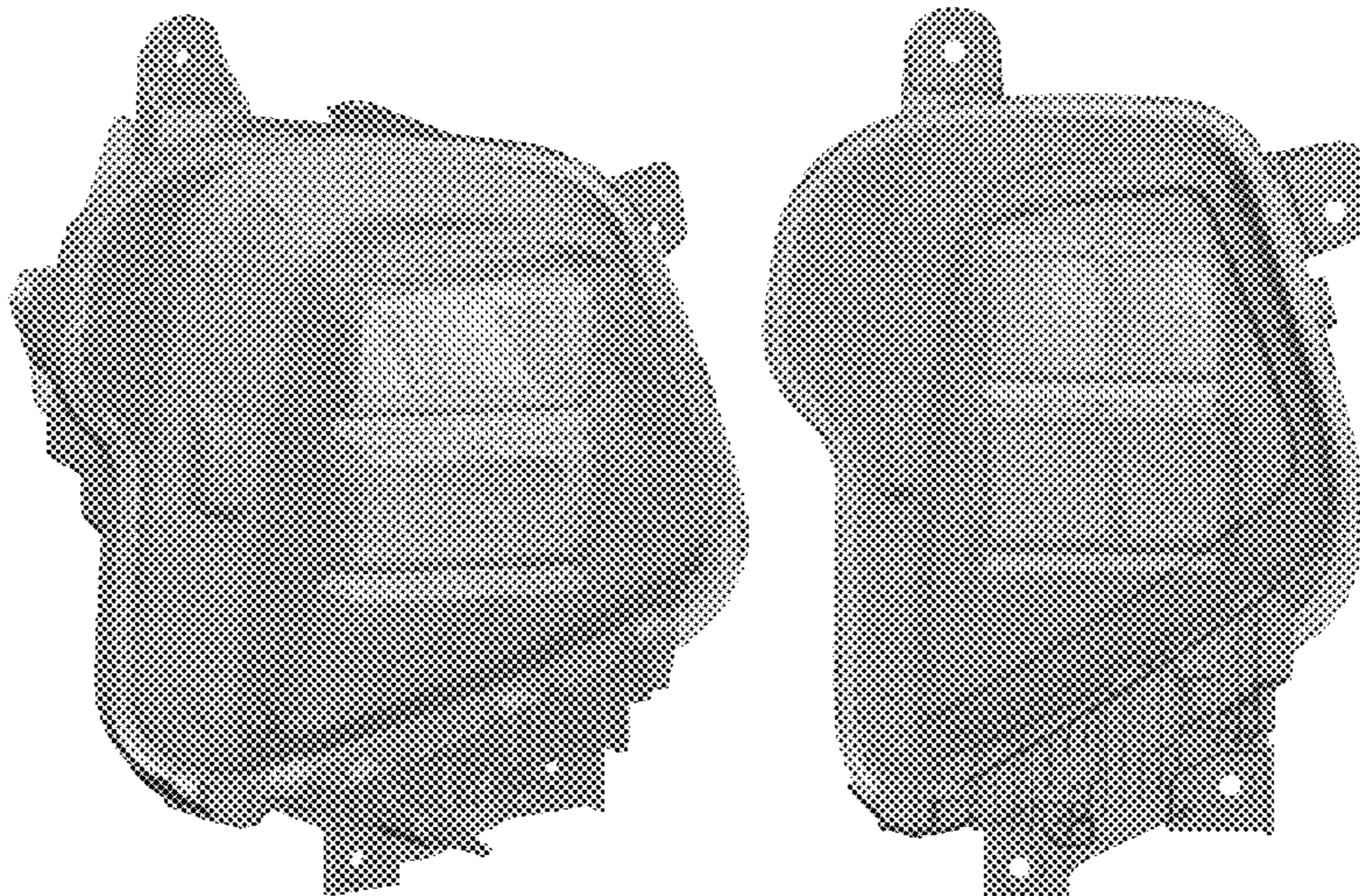
(58) **Field of Classification Search**
USPC D26/28, 29, 34, 35, 36
CPC F21S 41/00; F21S 41/14; F21S 41/141;
F21S 41/20; F21S 41/30; F21S 43/00;
F21S 43/10; F21S 43/14; F21S 43/15;
F21S 43/20; F21S 43/30; B60Q 1/26;
B60Q 1/2619; B60Q 1/122; B60Q 1/28;
B60Q 1/30; B60Q 1/34; B60Q 1/44;
B60Q 1/46

- 1. Head lamp for vehicles
- 1.1 : Perspective
- 1.2 : Front
- 1.3 : Back
- 1.4 : Left
- 1.5 : Right
- 1.6 : Top
- 1.7 : Bottom

Reproduction 1.1 is a perspective view of a head lamp for
vehicles showing our new design; Reproduction 1.2 is a
front elevation view thereof; Reproduction 1.3 is a rear
elevation view thereof; Reproduction 1.4 is a left side
elevation view thereof; Reproduction 1.5 is a right side
elevation view thereof; Reproduction 1.6 is a top plan view
thereof; and Reproduction 1.7 is a bottom plan view thereof;
this article is installed on a left and right side of the front of
vehicles to secure a driver's visibility at night or in case of
rain.

See application file for complete search history.

1 Claim, 7 Drawing Sheets



(56)

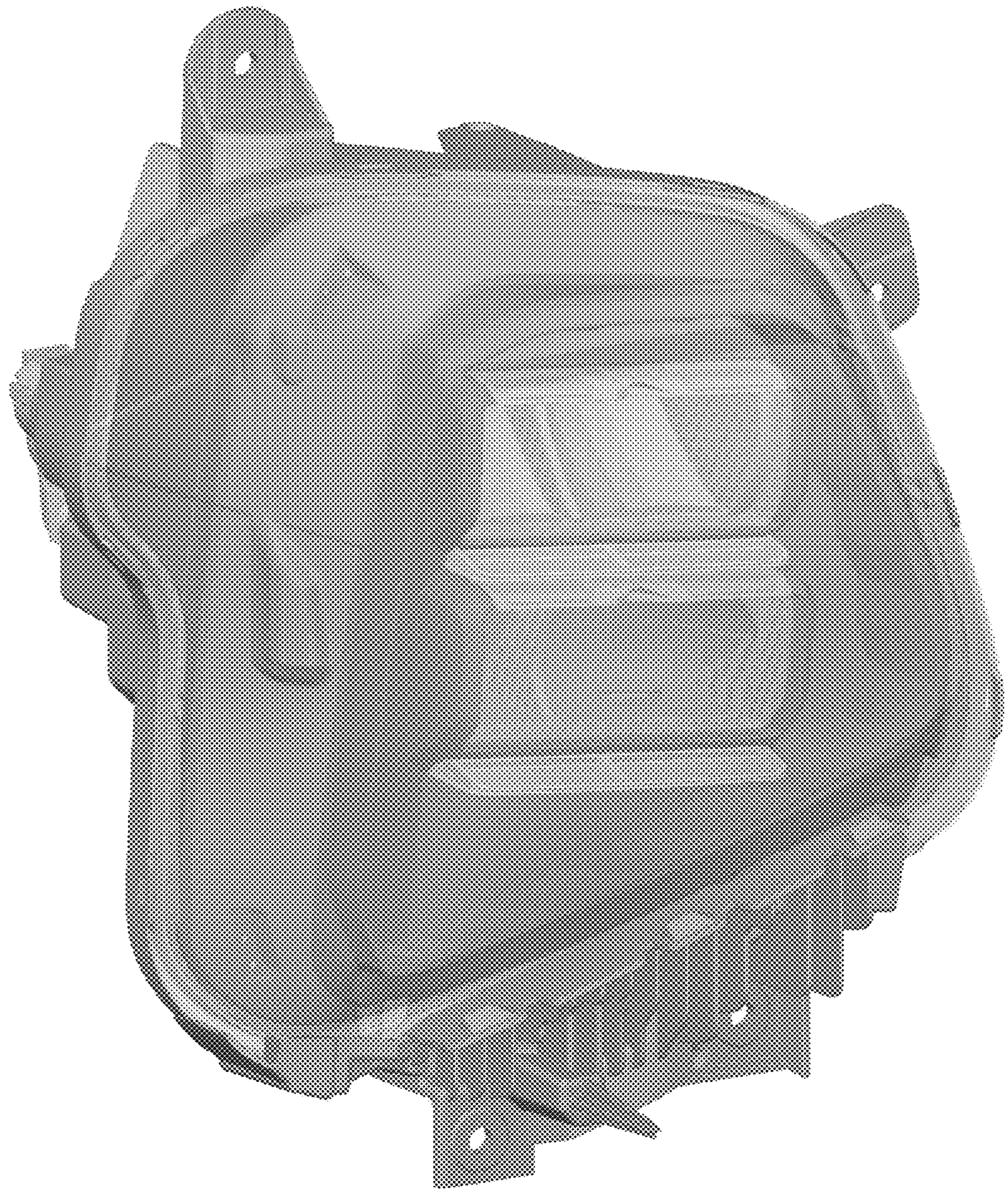
References Cited

U.S. PATENT DOCUMENTS

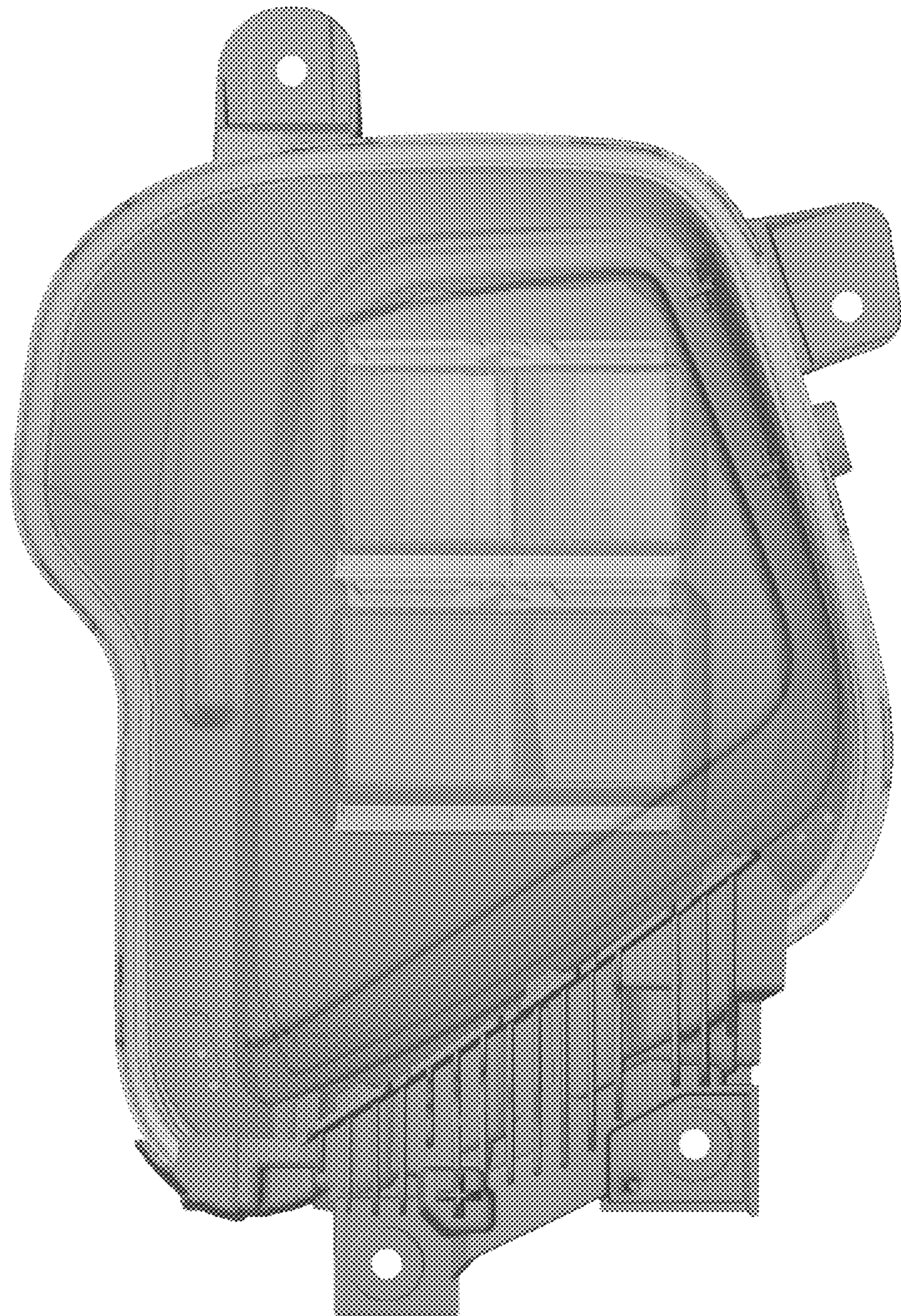
D852,999	S	*	7/2019	Allmendinger	D26/28
D853,607	S	*	7/2019	Allmendinger	D26/28
D867,638	S	*	11/2019	Kong	D26/28
D868,323	S	*	11/2019	Kim	D26/28
D868,324	S	*	11/2019	Kim	D26/28
D883,526	S	*	5/2020	Lin	D26/28
D883,538	S	*	5/2020	Lai	D26/28
D887,595	S	*	6/2020	Wu	D26/28
D889,008	S	*	6/2020	Lim	D26/28
D893,065	S	*	8/2020	He	D26/28
D893,771	S	*	8/2020	Lin	D26/28
D895,180	S	*	9/2020	Hong	D26/28
D896,410	S	*	9/2020	He	D26/28
D899,641	S	*	10/2020	He	D26/28
D900,359	S	*	10/2020	He	D26/28
D901,733	S	*	11/2020	Kim	D26/28
D905,876	S	*	12/2020	Wu	D26/28
D907,264	S	*	1/2021	Lin	D26/28
D907,821	S	*	1/2021	Jeong	D26/28
D908,260	S	*	1/2021	Jeong	D26/28
D912,863	S	*	3/2021	Wu	D26/28
D923,213	S	*	6/2021	He	D26/28
D923,214	S	*	6/2021	He	D26/28
D928,363	S	*	8/2021	Lin	D26/28
D929,622	S	*	8/2021	Wu	D26/28
D930,198	S	*	9/2021	Wu	D26/28
D933,267	S	*	10/2021	Lin	D26/28
D935,649	S	*	11/2021	Wu	D26/28
D936,870	S	*	11/2021	Wu	D26/28

* cited by examiner

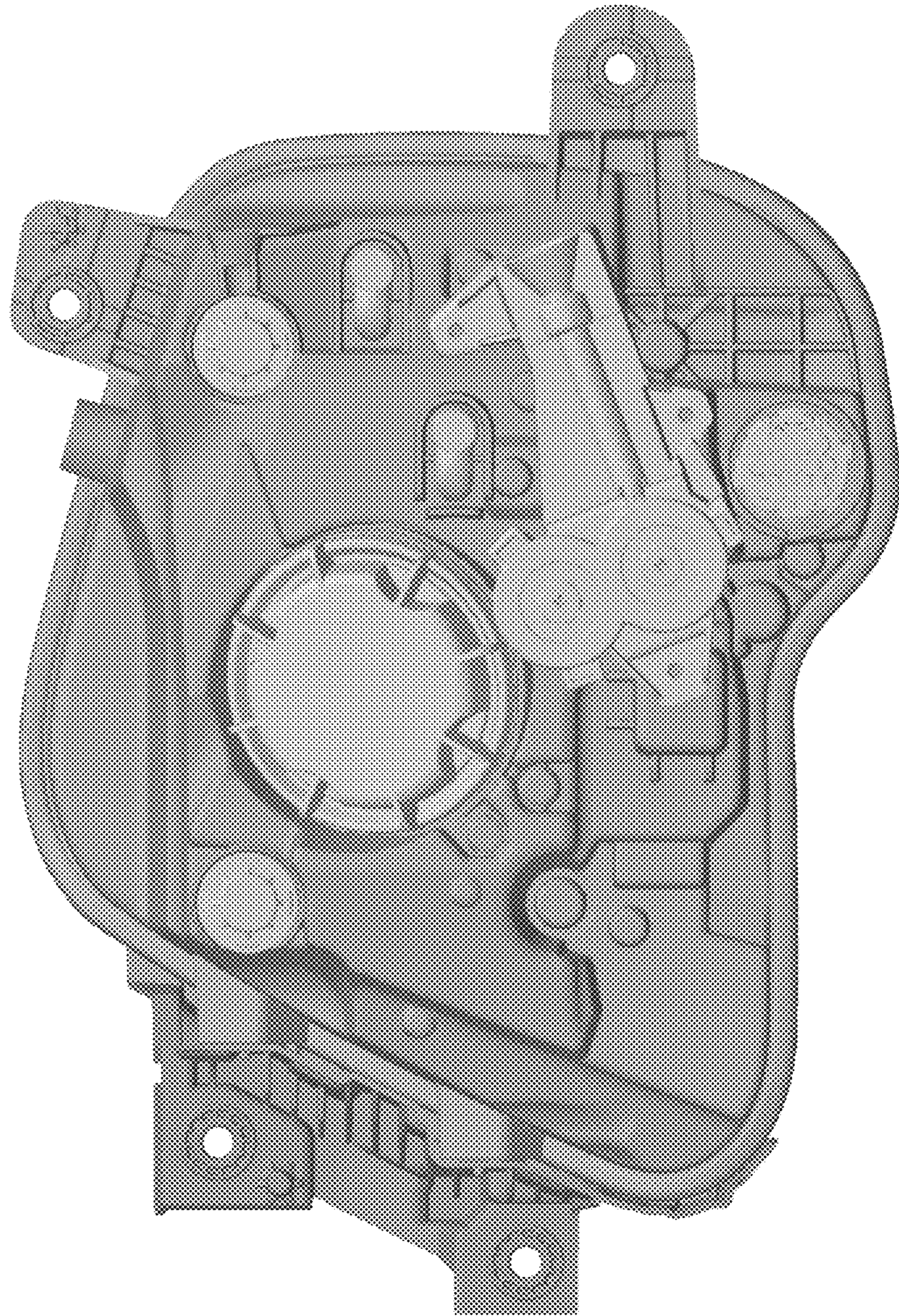
1.1



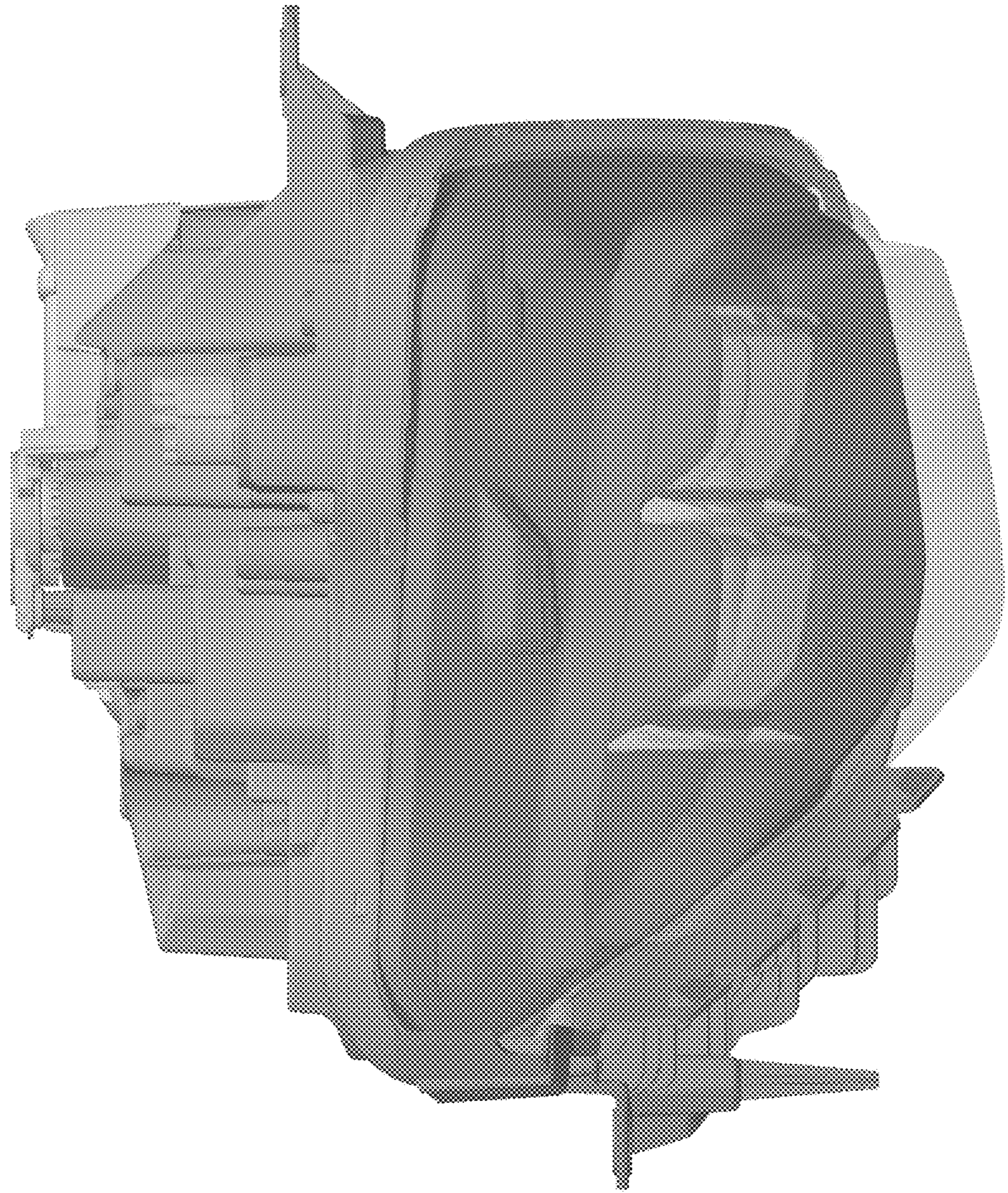
1.2



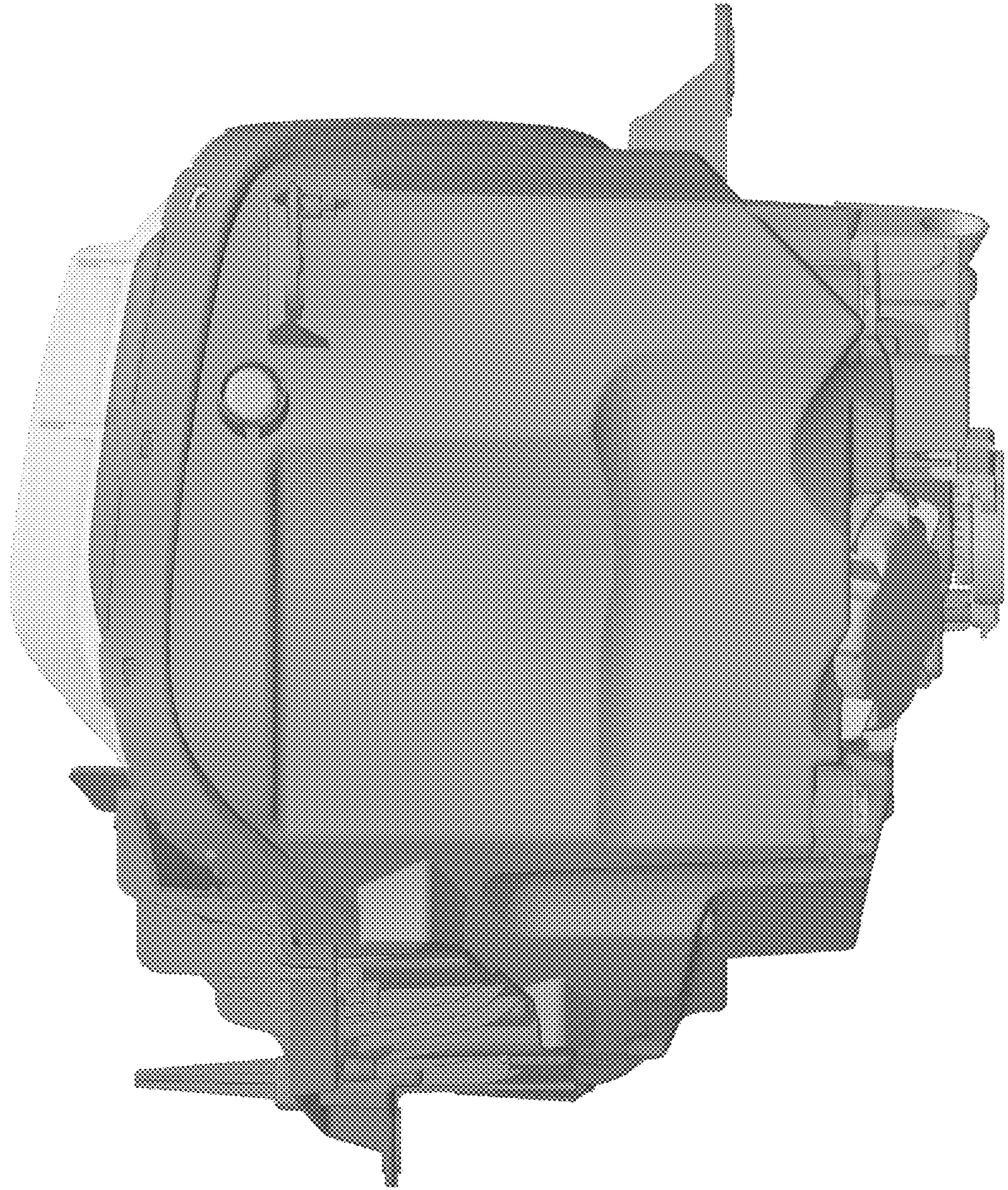
1.3



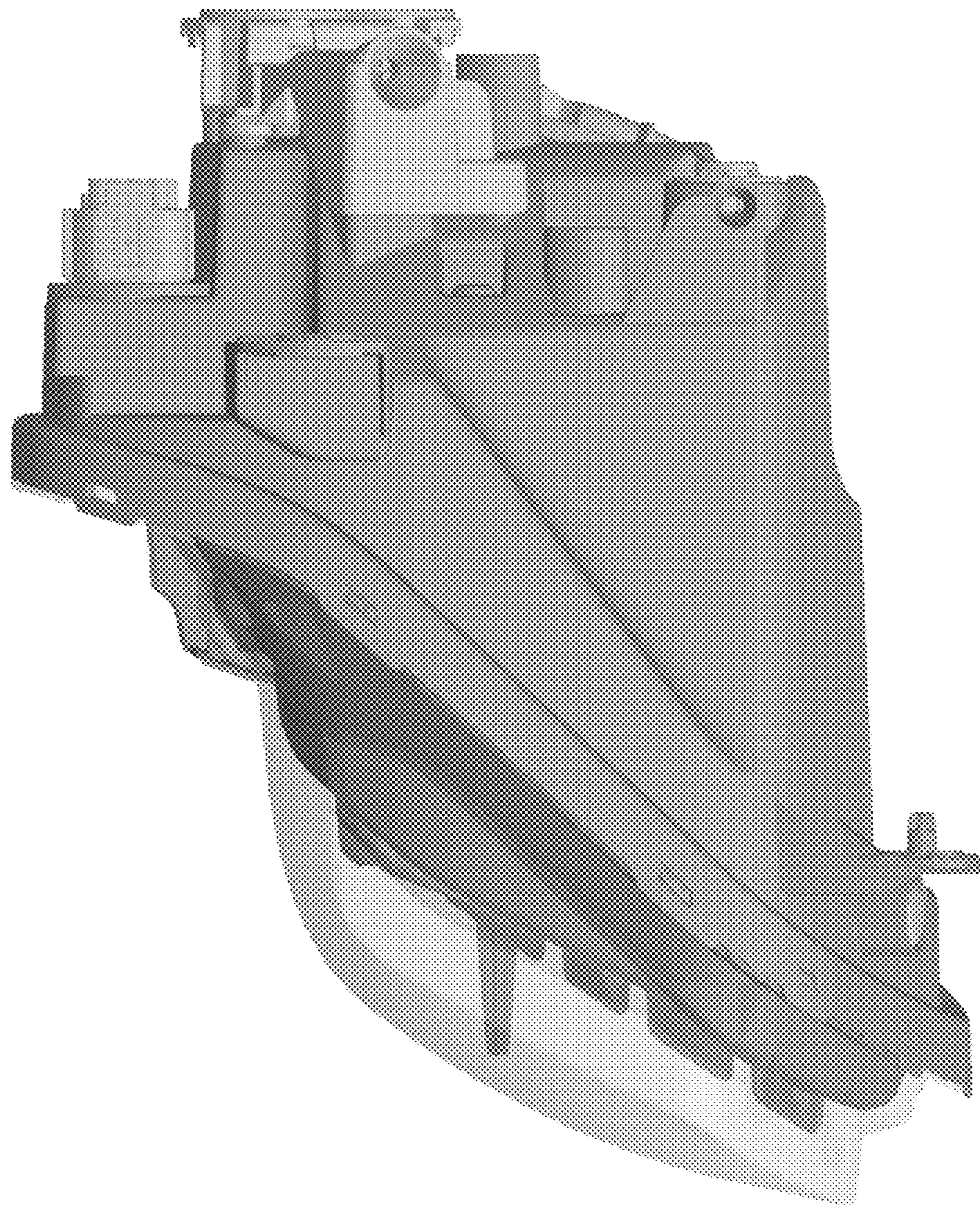
1.4



1.5



1.6



1.7

