



US00D948759S

(12) **United States Design Patent** (10) **Patent No.:** **US D948,759 S**  
**Jung et al.** (45) **Date of Patent:** **\*\* Apr. 12, 2022**

(54) **REAR COMBINATION LAMP FOR VEHICLES**

(71) Applicants: **HYUNDAI MOTOR COMPANY**, Seoul (KR); **KIA MOTORS CORPORATION**, Seoul (KR)

(72) Inventors: **Woo-Joo Jung**, Gwangmyeong-si (KR); **Ju-Whan Moon**, Yongin-si (KR); **Ki-Euk Kim**, Hwaseong-si (KR)

(73) Assignees: **Hyundai Motor Company**, Seoul (KR); **Kia Motors Corporation**, Seoul (KR)

(\*\*) Term: **15 Years**

(21) Appl. No.: **35/510,459**

(22) Filed: **Aug. 18, 2020**

(80) **Hague Agreement Data**

Int. Filing Date: **Aug. 18, 2020**

Int. Reg. No.: **DM/210416**

Int. Reg. Date: **Aug. 18, 2020**

Int. Reg. Pub. Date: **Oct. 2, 2020**

(51) **LOC (13) Cl.** ..... **26-06**

(52) **U.S. Cl.**  
USPC ..... **D26/28**  
CPC ..... **F21S 2/00** (2013.01)

(58) **Field of Classification Search**  
USPC ..... D26/3, 28, 76-93, 111-122, 138-142, D26/152  
CPC ..... F21S 2/00; F21S 4/00; F21S 4/003; F21S 4/005; F21S 4/006; F21S 4/007; F21S 4/008; F21S 6/00; F21S 8/00; F21S 8/024; F21S 8/026; F21S 8/031; F21S 8/033; F21S 8/035-037; F21S 8/04; F21S 8/043; F21S 8/063  
See application file for complete search history.

(56) **References Cited**

U.S. PATENT DOCUMENTS

D814,081 S *	3/2018	Ha	.....	D26/28
D834,227 S *	11/2018	Lee	.....	D26/28
D834,229 S *	11/2018	Lee	.....	D26/28
D836,805 S *	12/2018	Tomasson	.....	D26/28
D846,779 S *	4/2019	Hwang	.....	D26/28
D851,299 S *	6/2019	Woodhouse	.....	D26/28
D862,751 S *	10/2019	Lucas	.....	D26/28
D863,618 S *	10/2019	Lucas	.....	D26/28
D870,329 S *	12/2019	Binder	.....	D26/28
D870,330 S *	12/2019	Binder	.....	D26/28
D870,331 S *	12/2019	Binder	.....	D26/28
D877,370 S *	3/2020	Smock	.....	D26/28
D902,454 S *	11/2020	Lucas	.....	D26/28
D902,455 S *	11/2020	Lucas	.....	D26/28

(Continued)

*Primary Examiner* — Richard E Chilcot

(74) *Attorney, Agent, or Firm* — Mintz Levin Cohn Ferris Glovsky and Popeo, P.C.; Peter F. Corless

(57) **CLAIM**

The ornamental design for a rear combination lamp for vehicles, as shown and described.

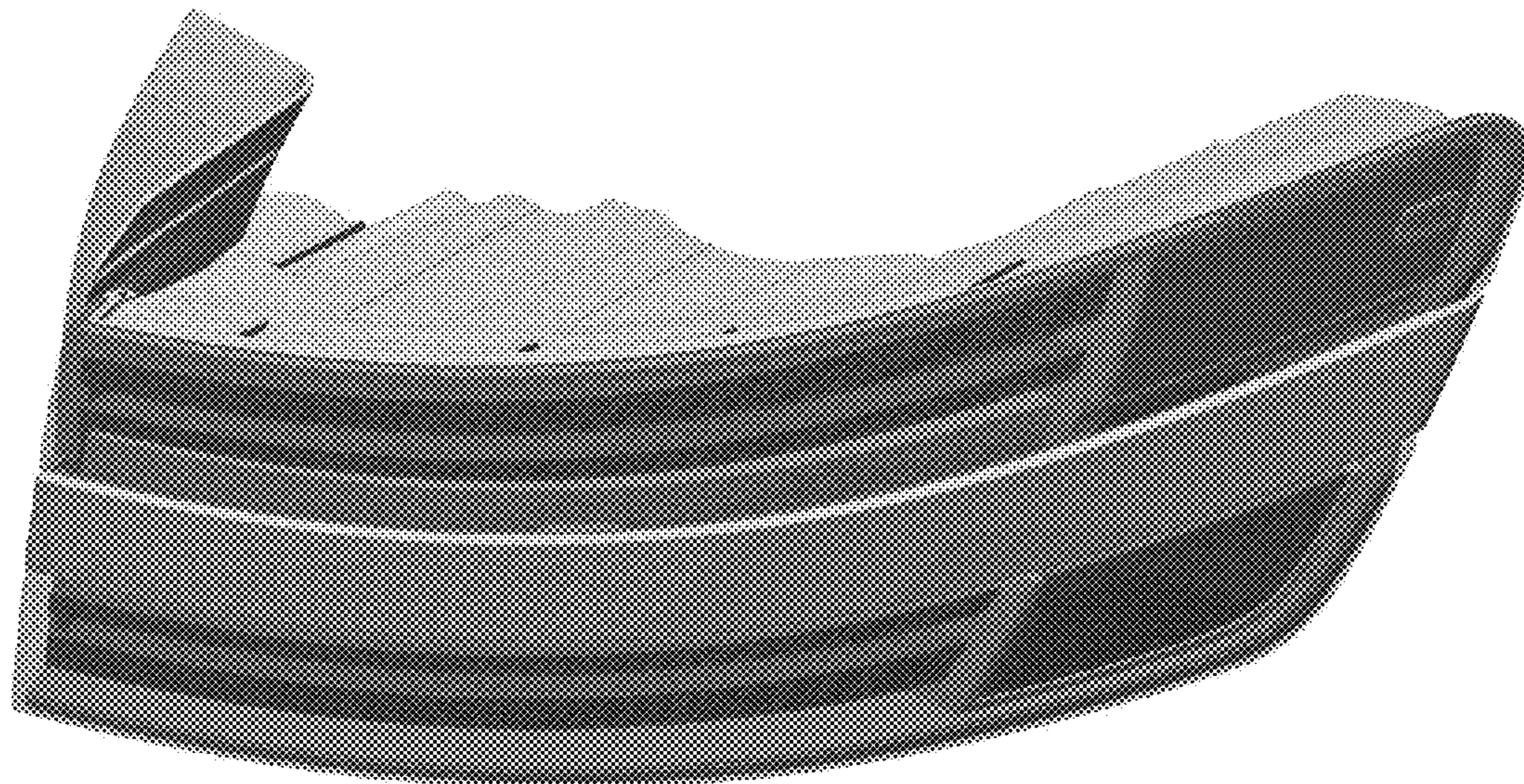
**DESCRIPTION**

1. Rear combination lamp for vehicles

- 1.1 : Perspective
- 1.2 : Front
- 1.3 : Back
- 1.4 : Left
- 1.5 : Right
- 1.6 : Top
- 1.7 : Bottom

Reproduction 1.1 is a perspective view of a rear combination lamp for vehicles showing our new design; Reproduction 1.2 is a front elevation view thereof; Reproduction 1.3 is a rear elevation view thereof; Reproduction 1.4 is a left side elevation view thereof; Reproduction 1.5 is a right side elevation view thereof; Reproduction 1.6 is a top plan view thereof; and Reproduction 1.7 is a bottom plan view thereof.

**1 Claim, 7 Drawing Sheets**



(56)

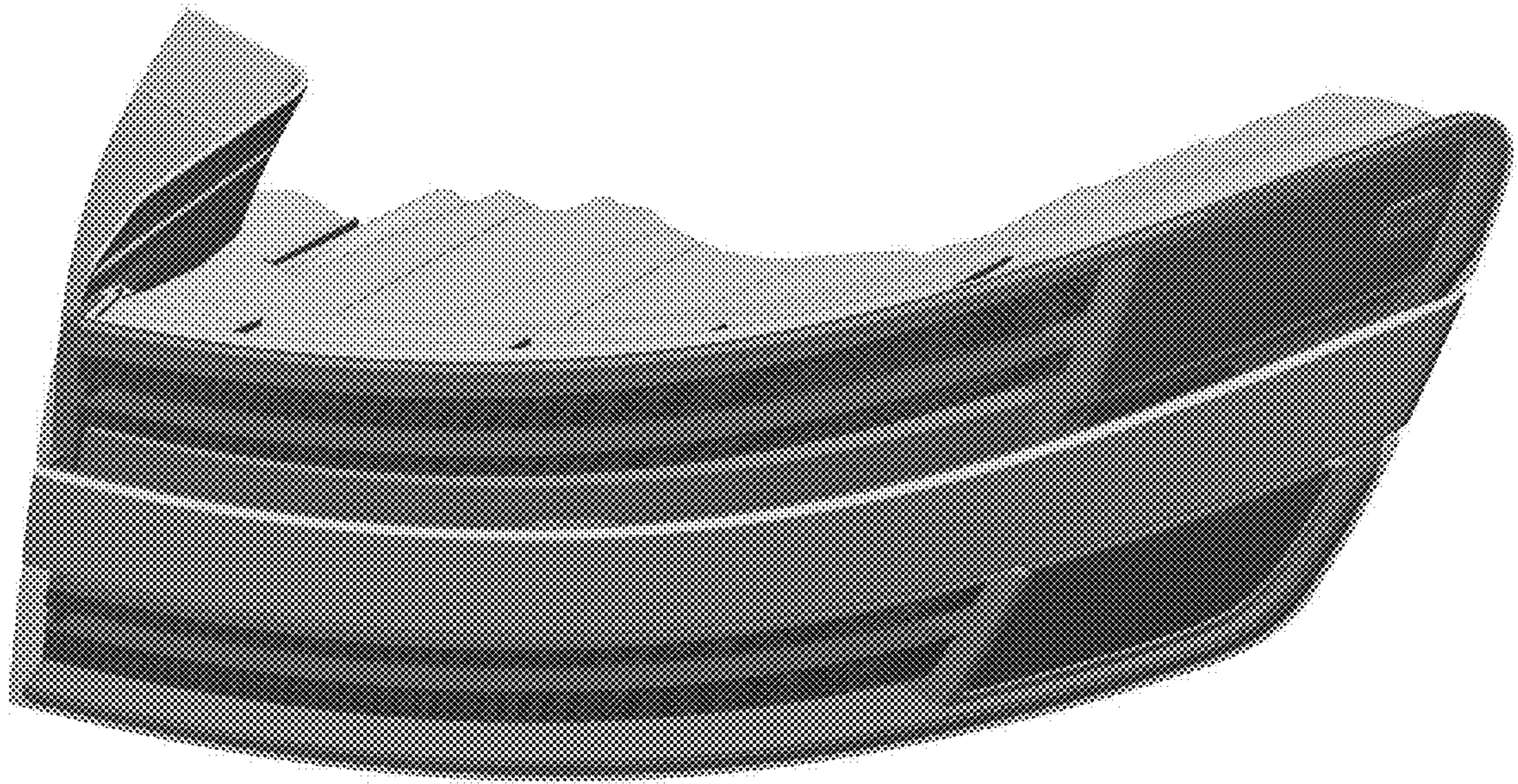
**References Cited**

U.S. PATENT DOCUMENTS

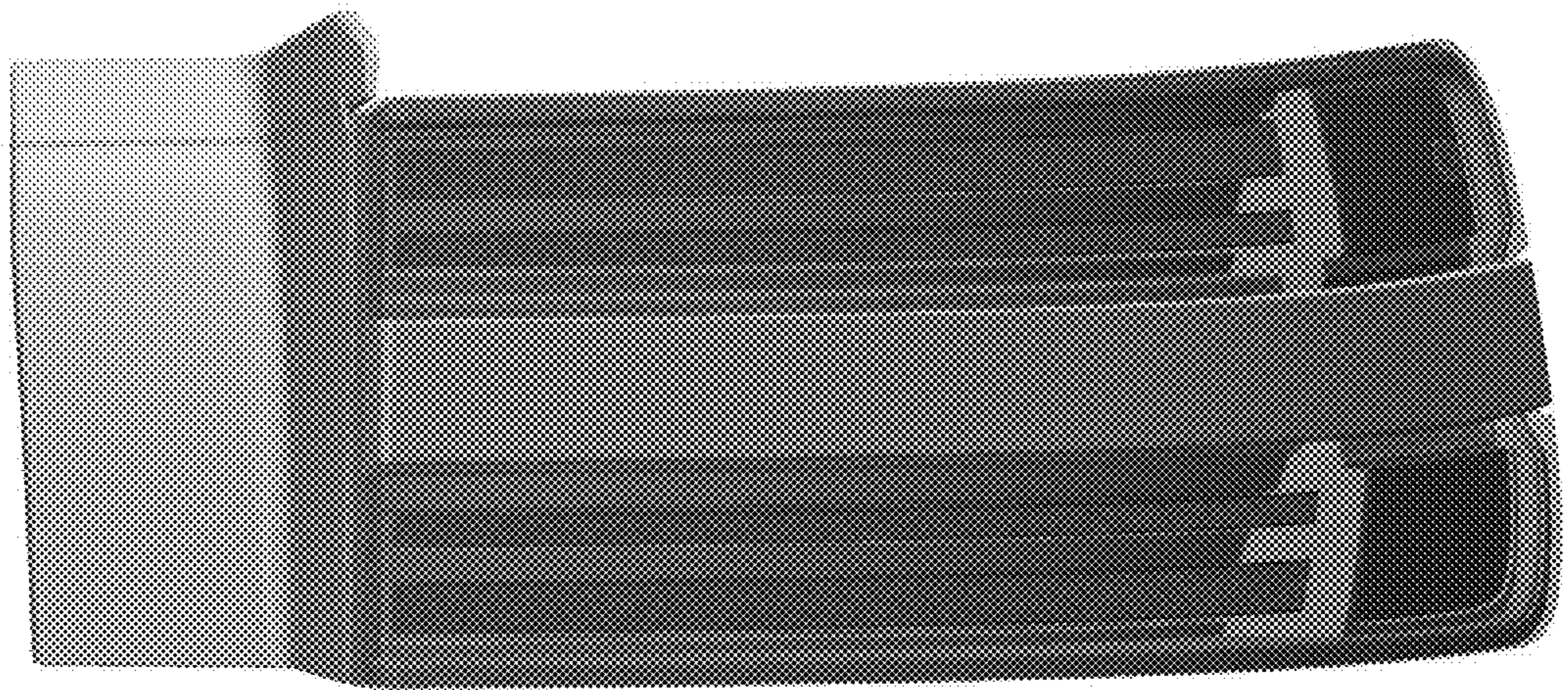
D937,451 S \* 11/2021 Tovey et al. .... D26/28

\* cited by examiner

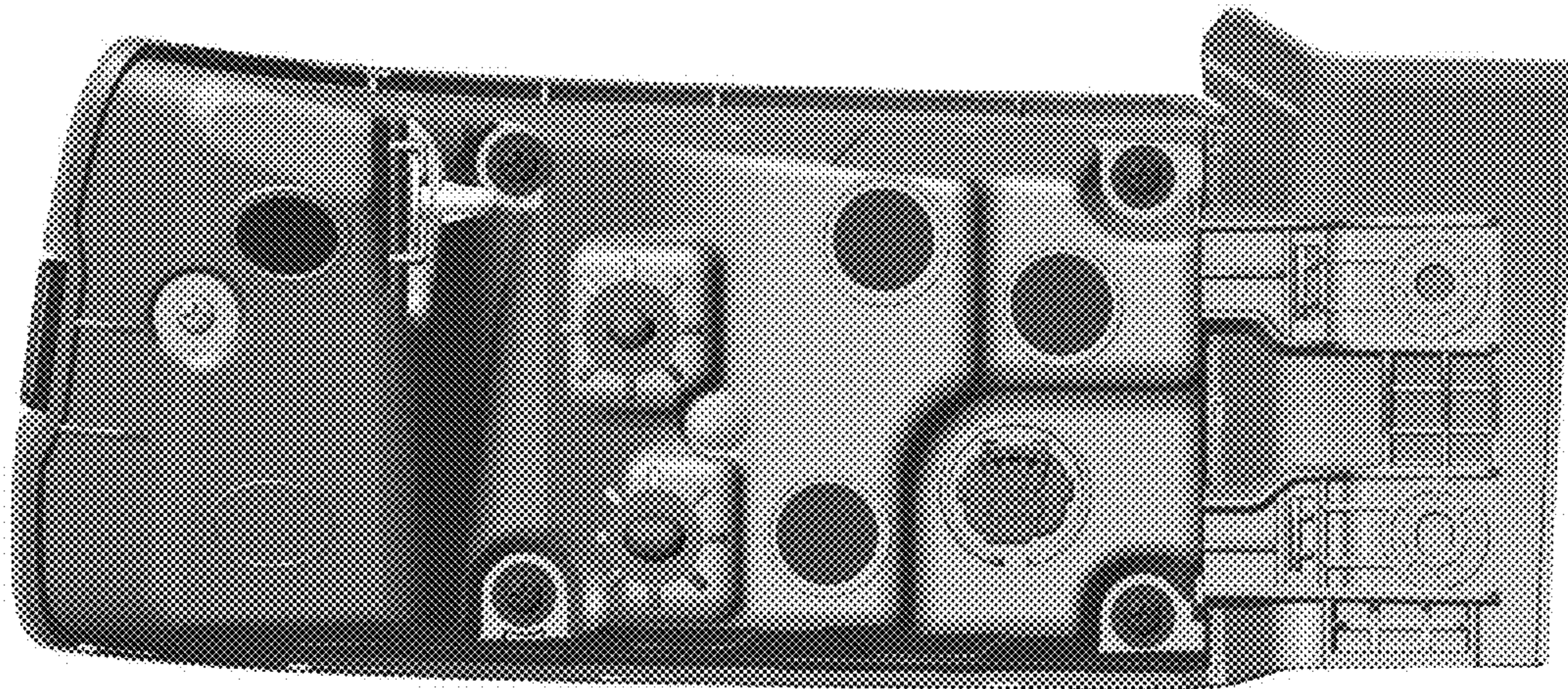
1.1



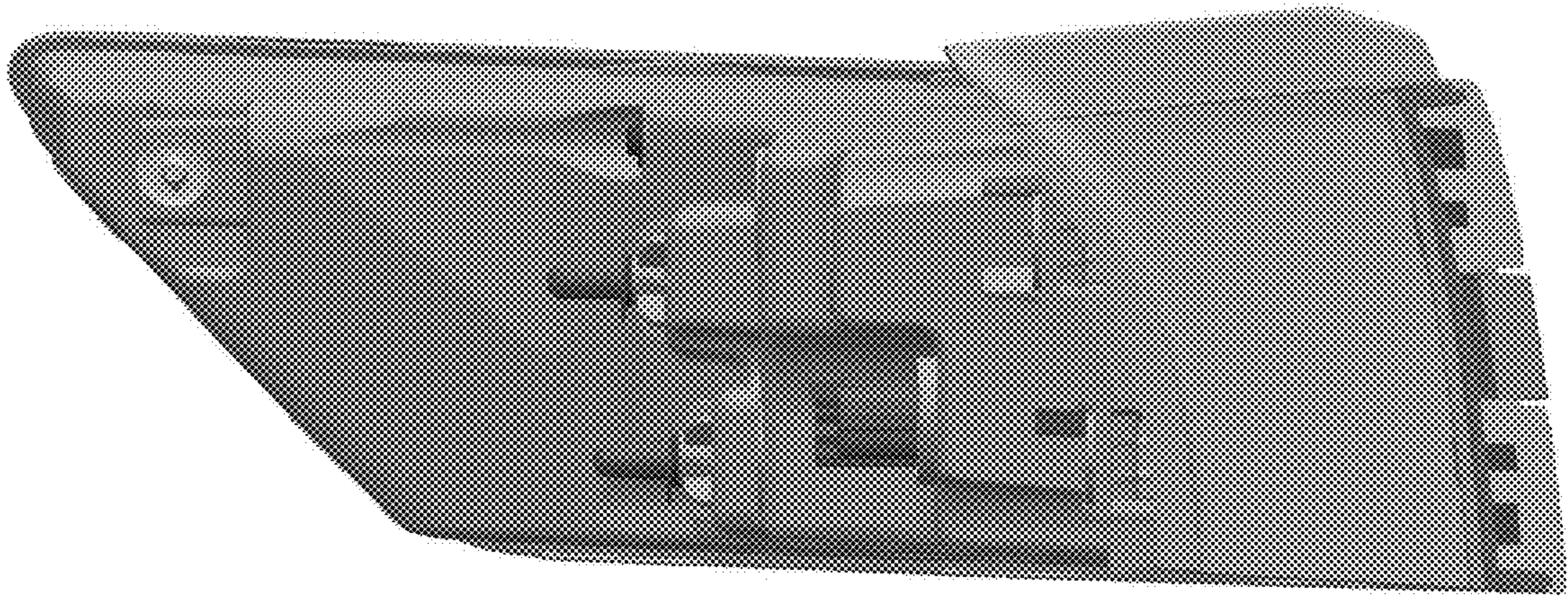
1.2



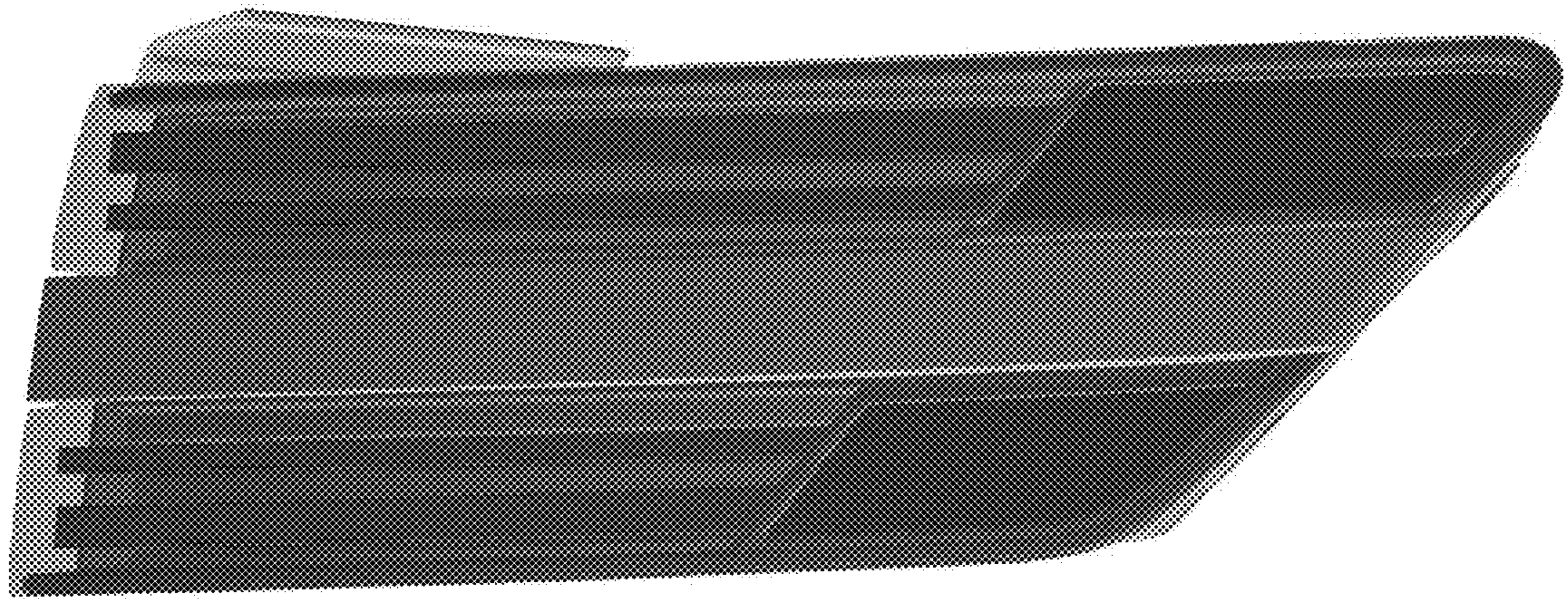
1.3



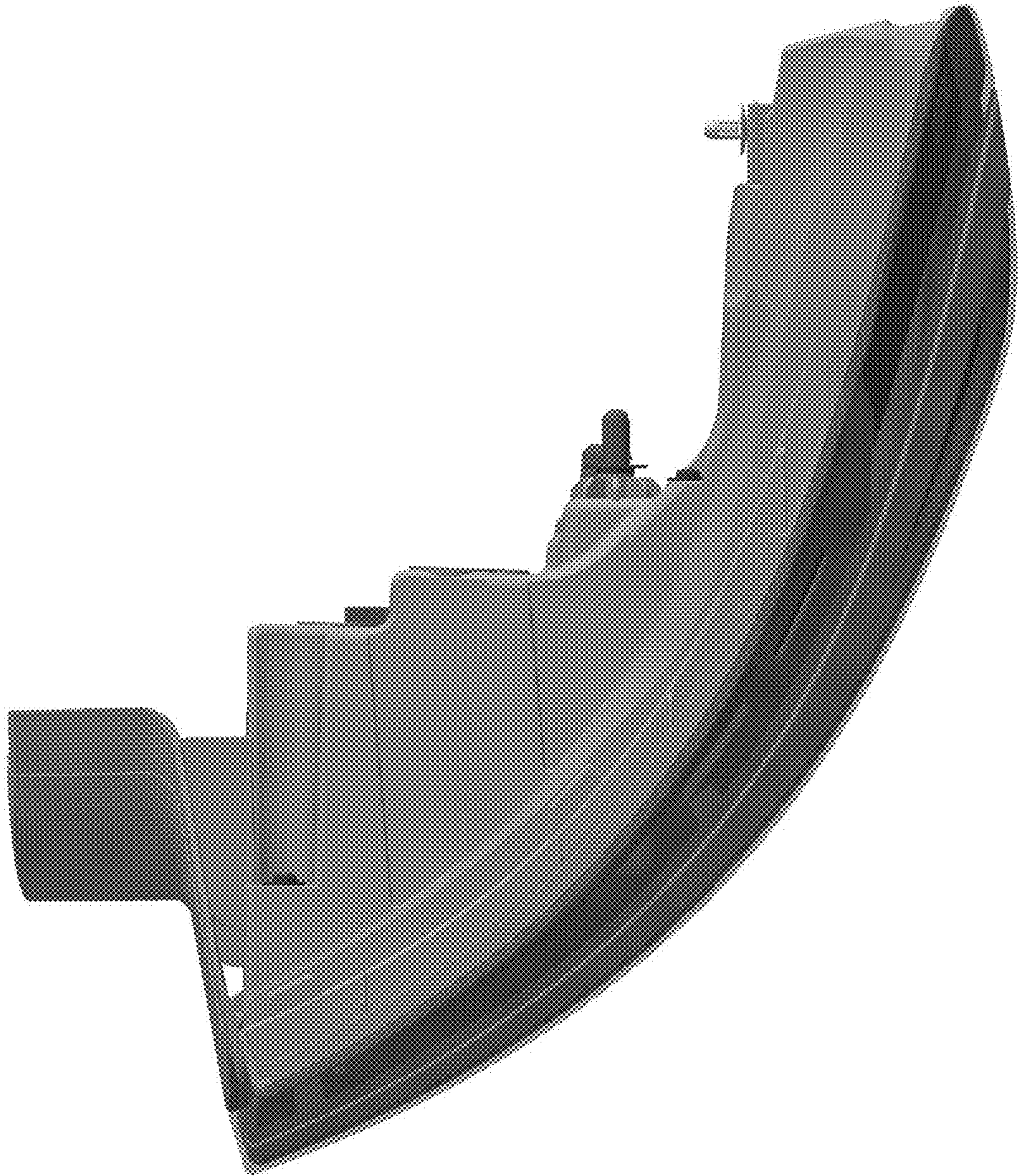
1.4



1.5



1.6





1.7

