

US00D948757S

(12) **United States Design Patent** (10) **Patent No.:** **US D948,757 S**
Shirota (45) **Date of Patent:** **** Apr. 12, 2022**

(54) **TAILLIGHT FOR BICYCLE**

FOREIGN PATENT DOCUMENTS

- (71) Applicant: **Cateye Co., Ltd.**, Osaka (JP)
- (72) Inventor: **Ryuya Shirota**, Osaka (JP)
- (73) Assignee: **Cateye Co., Ltd.**, Osaka (JP)

CN	306827742	*	4/2021
JP	D1463383	S	3/2013
JP	D1589818	S	11/2017
JP	D1590218	S	11/2017

(**) Term: **15 Years**

OTHER PUBLICATIONS

(21) Appl. No.: **29/738,376**

Cateye Mini Safety Taillight, Cat Eye, Nov. 17, 2009, Published by Amazon, Visited on Oct. 19, 2021 via URL: <<https://www.amazon.com/CAT-EYE-Rechargeable-Safety-Lumens/dp/B01M2UI7OS>> (Year: 2009).*

(22) Filed: **Jun. 17, 2020**

NineLeaf Bike Taillight, NineLeaf, Aug. 2, 2021, Published by Amazon, Visited on Oct. 19, 2021 via URL: <<https://www.amazon.com/NineLeaf-Taillight-Anti-Theft-Automatic-Rechargeable/dp/B09BN8KN13>> (Year: 2021).*

(30) **Foreign Application Priority Data**

Notice of Allowance issued in counterpart Taiwanese Design Application No. 109303326 dated Dec. 15, 2020.

Dec. 20, 2019 (JP) 2019-028315

(51) **LOC (13) Cl.** **26-06**

* cited by examiner

(52) **U.S. Cl.**
USPC **D26/28**

Primary Examiner — Marissa J Cash

(58) **Field of Classification Search**
USPC D26/28, 29, 30, 31, 32, 33, 34, 35, 36;
D12/111, 114; D21/663, 694, 432

Assistant Examiner — Nishaad Sebastian Lorengo

CPC B62J 3/00; B62J 6/04; B62J 6/005; B62J
6/015; B62J 6/02; F21Y 2101/00; F21V
14/01

(74) *Attorney, Agent, or Firm* — Morgan, Lewis & Bockius LLP

See application file for complete search history.

(57) **CLAIM**

The ornamental design for a taillight for a bicycle, as shown.

(56) **References Cited**

DESCRIPTION

U.S. PATENT DOCUMENTS

FIG. 1 is a perspective view of a taillight for a bicycle showing my new design;

FIG. 2 is a front elevational view thereof;

FIG. 3 is a rear elevational view thereof;

FIG. 4 is a right side view thereof;

FIG. 5 is a left side view thereof;

FIG. 6 is a top plan view thereof; and,

FIG. 7 is a bottom plan view thereof.

D532,330	S	*	11/2006	Nakade	D10/111
D636,508	S	*	4/2011	Nagano	D26/28
D663,452	S	*	7/2012	Okuda	D26/28
D752,787	S	*	3/2016	Kawakami	D26/28
D901,730	S	*	11/2020	Chen	D26/28

1 Claim, 4 Drawing Sheets

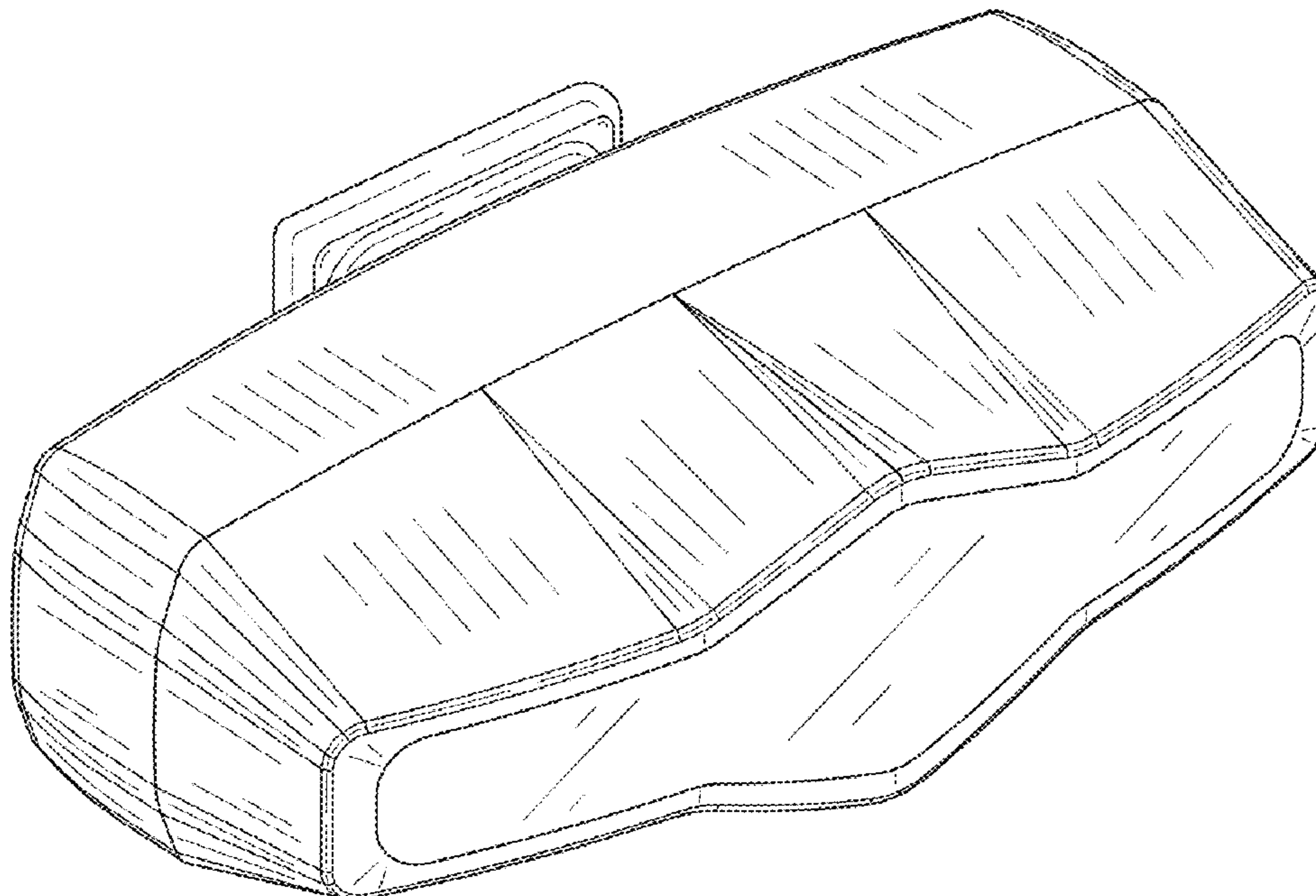


FIG.1

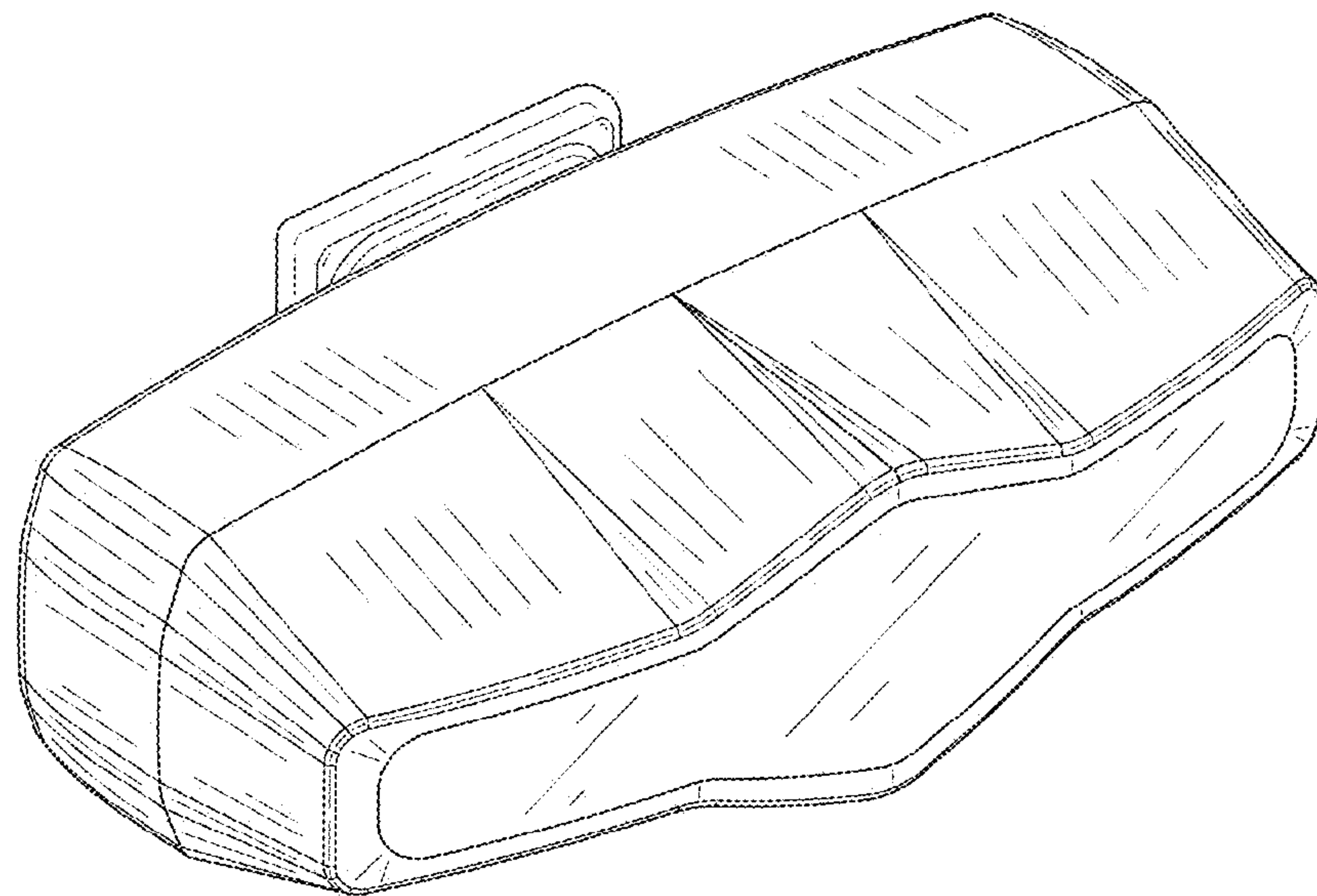


FIG.2

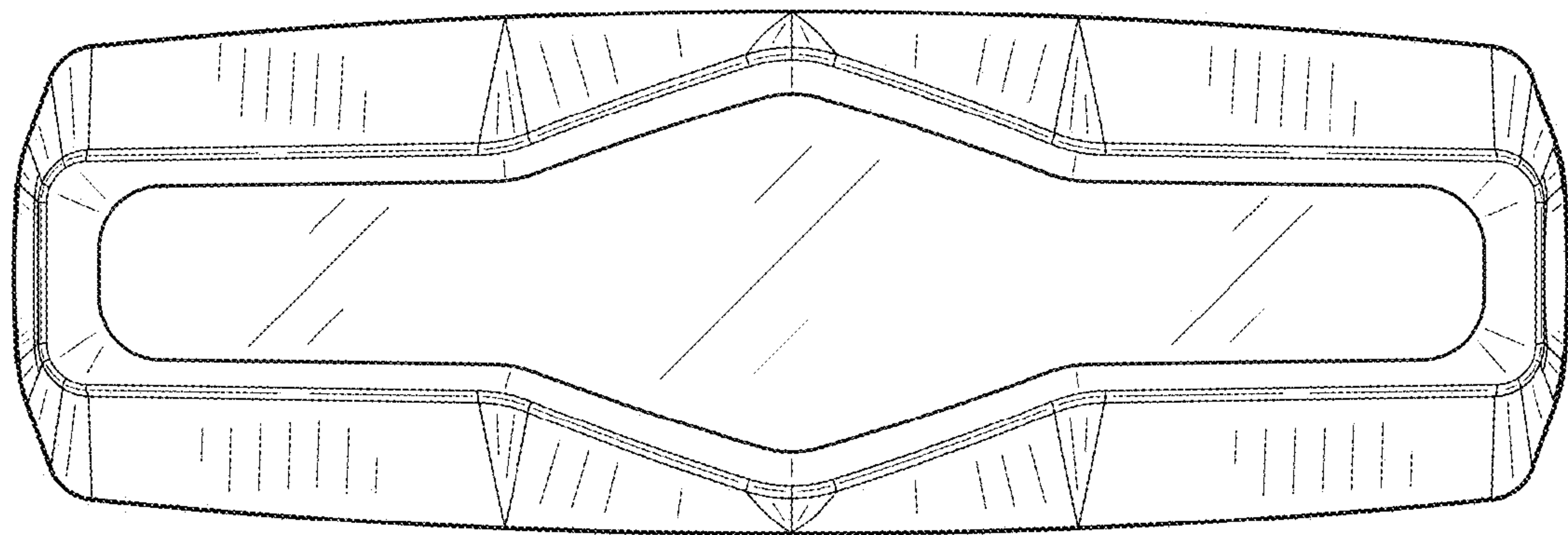


FIG.3

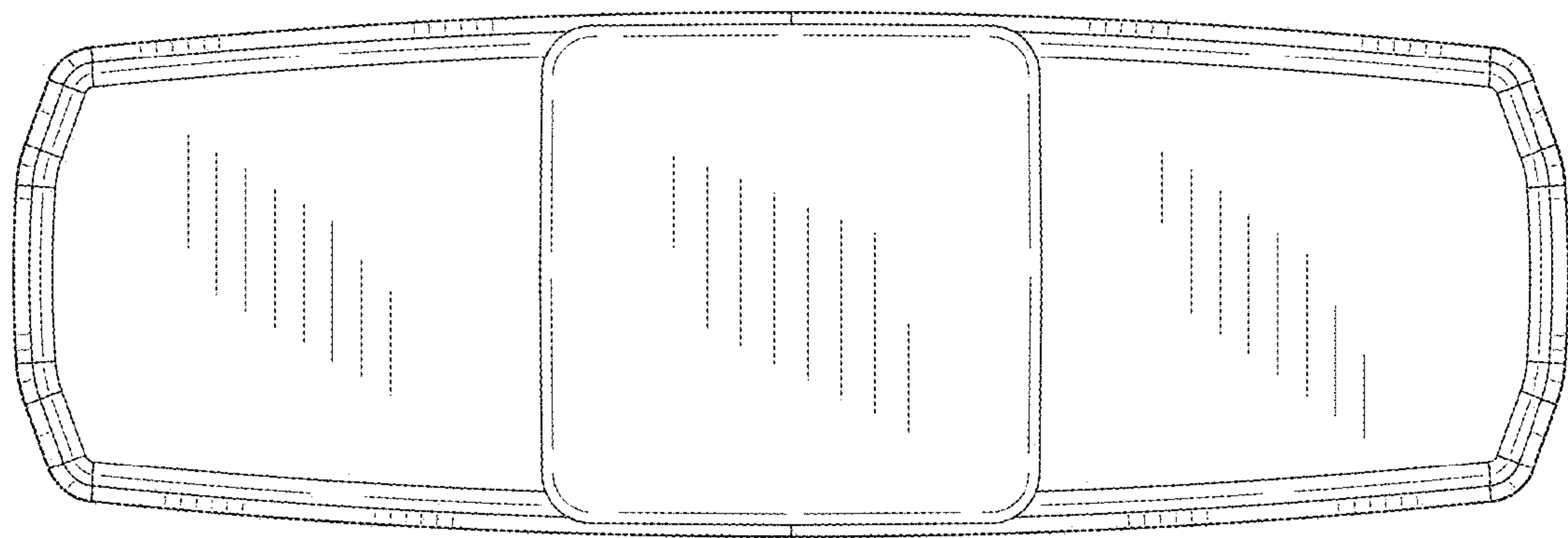


FIG.4

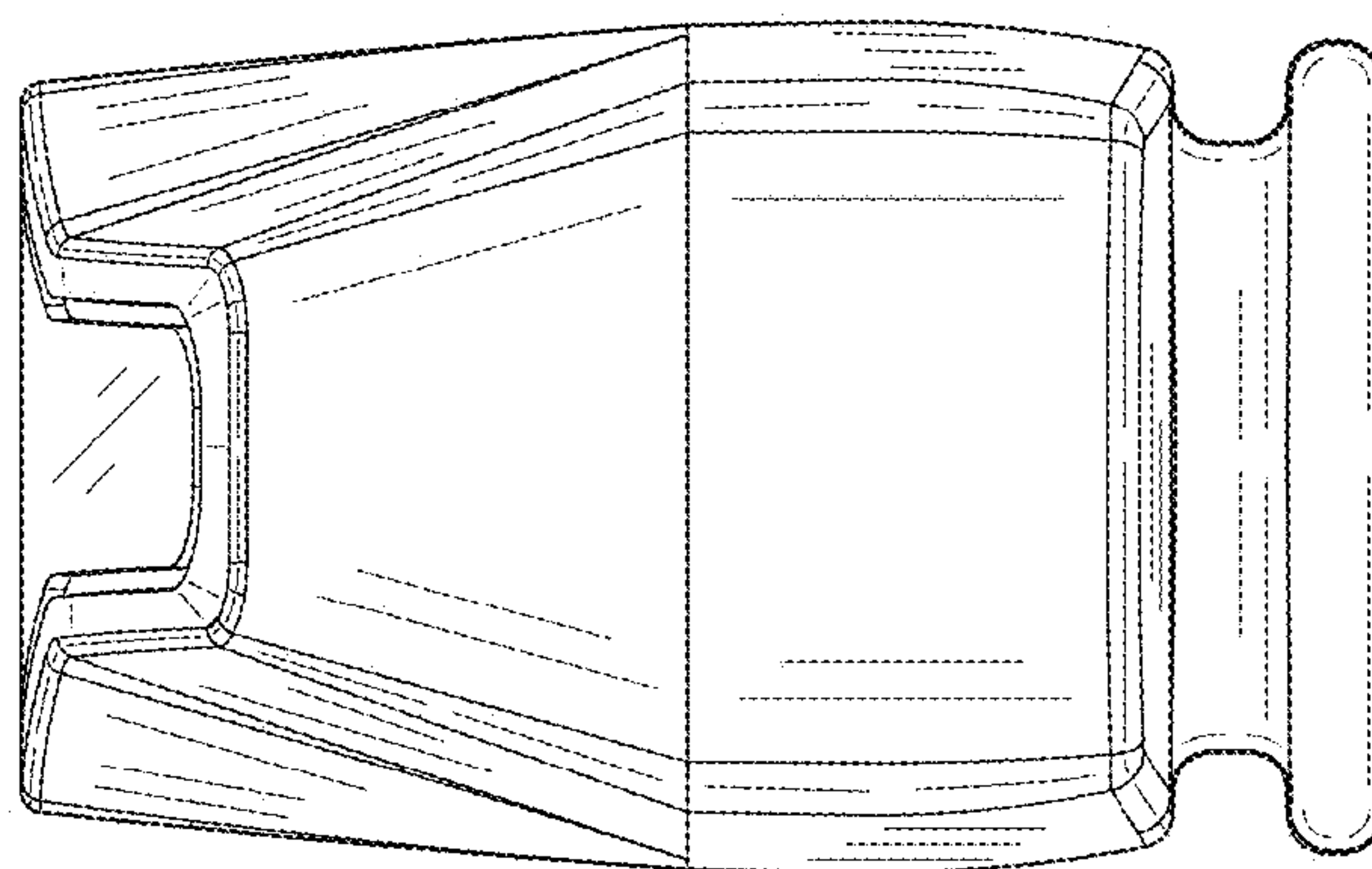


FIG.5

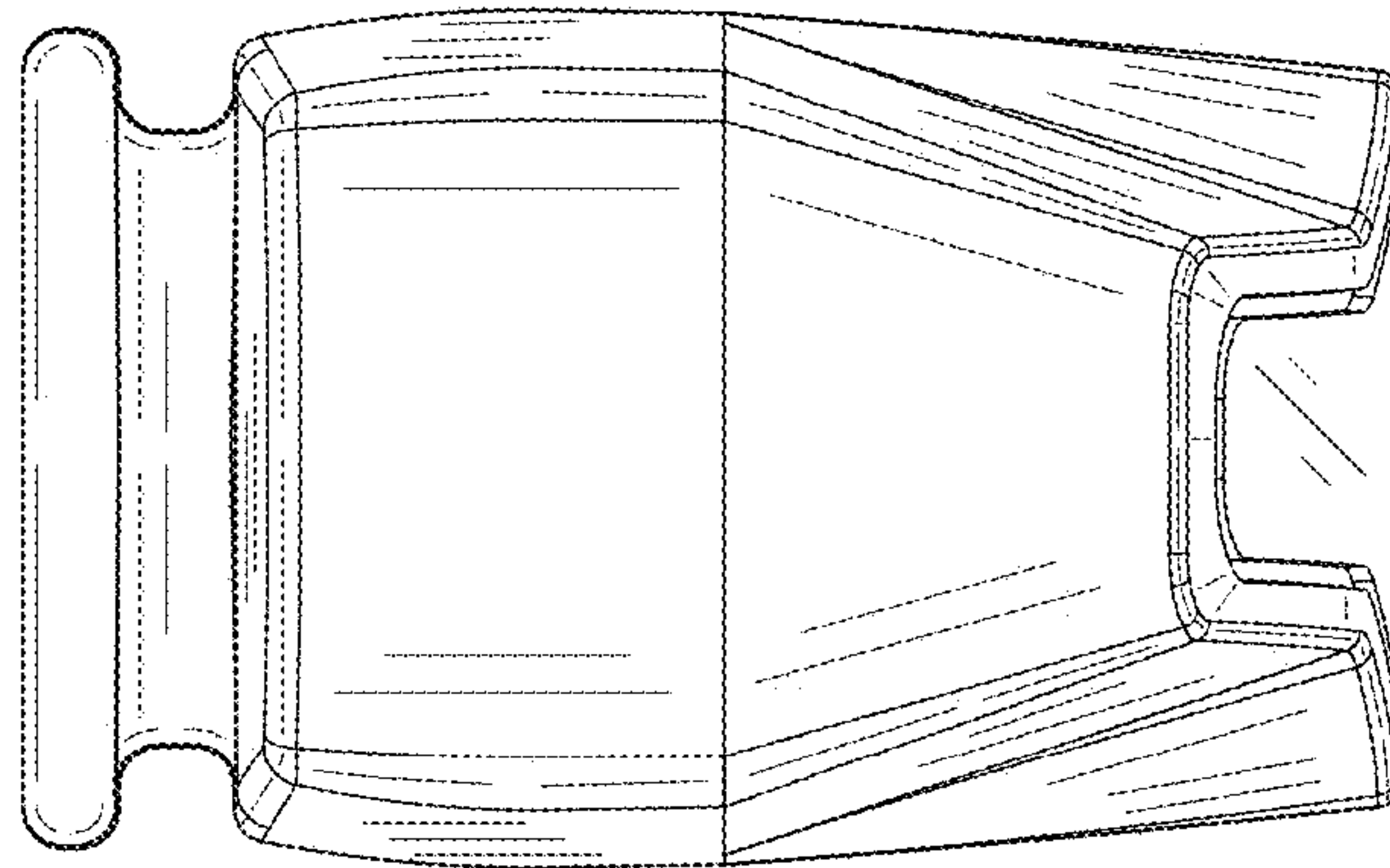


FIG.6

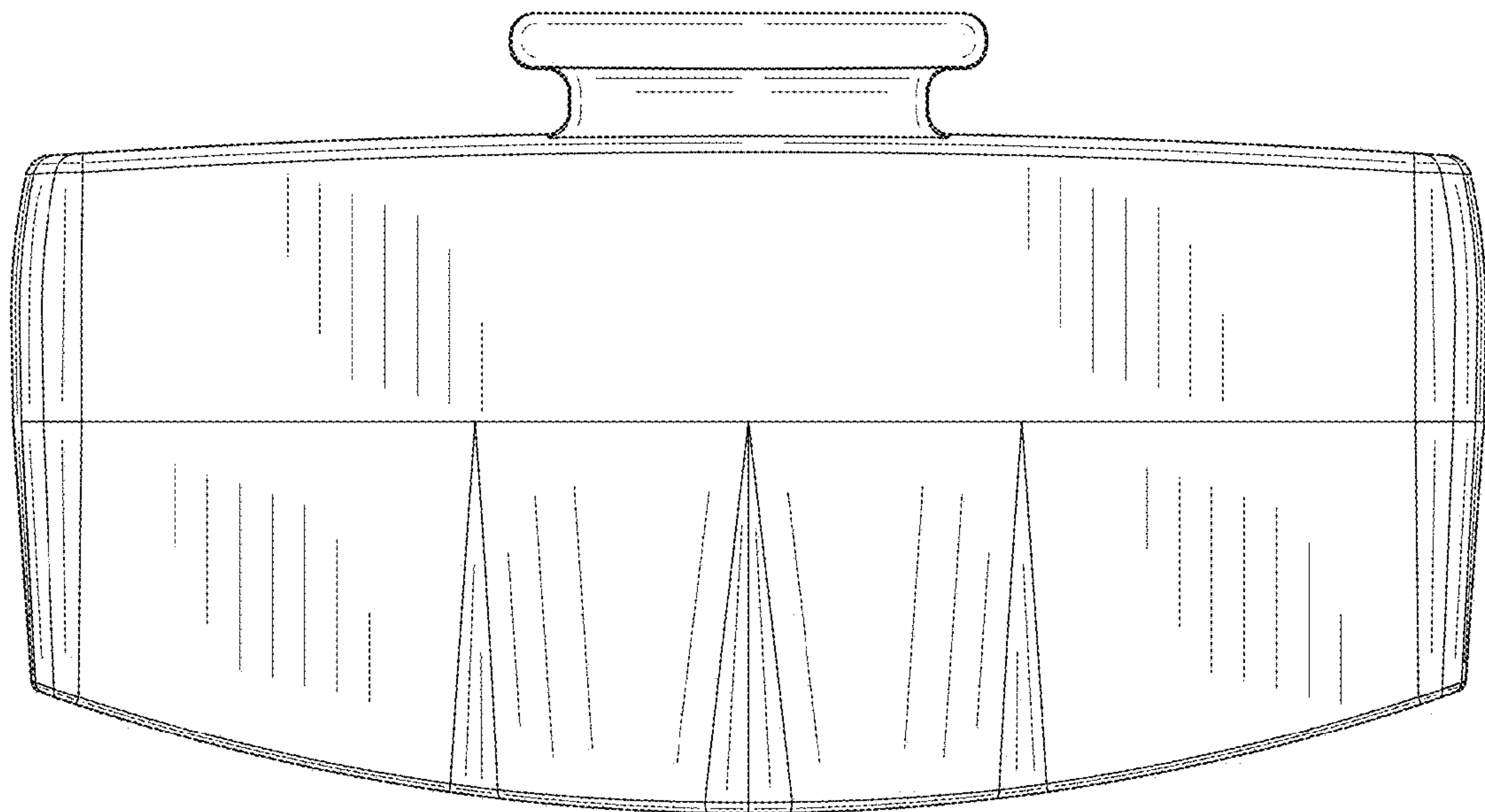


FIG. 7

