

US00D948755S

(12) **United States Design Patent**
Rosan

(10) **Patent No.:** **US D948,755 S**
(45) **Date of Patent:** **** Apr. 12, 2022**

- (54) **WALL FRAME CAP**
- (71) Applicant: **EverBlock Systems, LLC**, New York, NY (US)
- (72) Inventor: **Arnon Rosan**, New York, NY (US)
- (73) Assignee: **Versare Solutions, LLC**, Minneapolis, MN (US)
- (**) Term: **15 Years**
- (21) Appl. No.: **29/743,402**
- (22) Filed: **Jul. 21, 2020**

D534,662 S * 1/2007 Quigley D25/135
 D547,464 S * 7/2007 Petta D25/135
 D648,446 S * 11/2011 Ernst D25/126
 D783,731 S 4/2017 Rosan
 (Continued)

FOREIGN PATENT DOCUMENTS

CN 3360916 3/2004
 CN 302256896 12/2012
 (Continued)

OTHER PUBLICATIONS

Panel 2-Way Connector—12 Pack—EverBlock Systems <https://www.everblocksystems.com/panel-2-way-connector-12-pack/>
 Retrieved Oct. 21, 2021 (Year: 2021).*
 (Continued)

Related U.S. Application Data

- (62) Division of application No. 29/672,886, filed on Dec. 10, 2018, now abandoned.
- (51) **LOC (13) Cl.** **25-01**
- (52) **U.S. Cl.**
 USPC **D25/135**
- (58) **Field of Classification Search**
 USPC D8/349, 354, 373, 382, 384;
 D21/483–486, 489–491, 493, 494, 499,
 D21/500–502, 504, 505; D25/60, 61,
 D25/113, 114, 115, 118, 133, 135, 136,
 D25/138, 152, 153, 156, 157, 158, 164,
 D25/199
 CPC E04B 2/14; E04C 2/08; E04C 2/14; E04C
 2/18; E04C 2/205; E04C 2/22
 See application file for complete search history.

Primary Examiner — Leanne Was-Englehart
 (74) *Attorney, Agent, or Firm* — Metz Lewis Brodman
 Must O’Keefe LLC

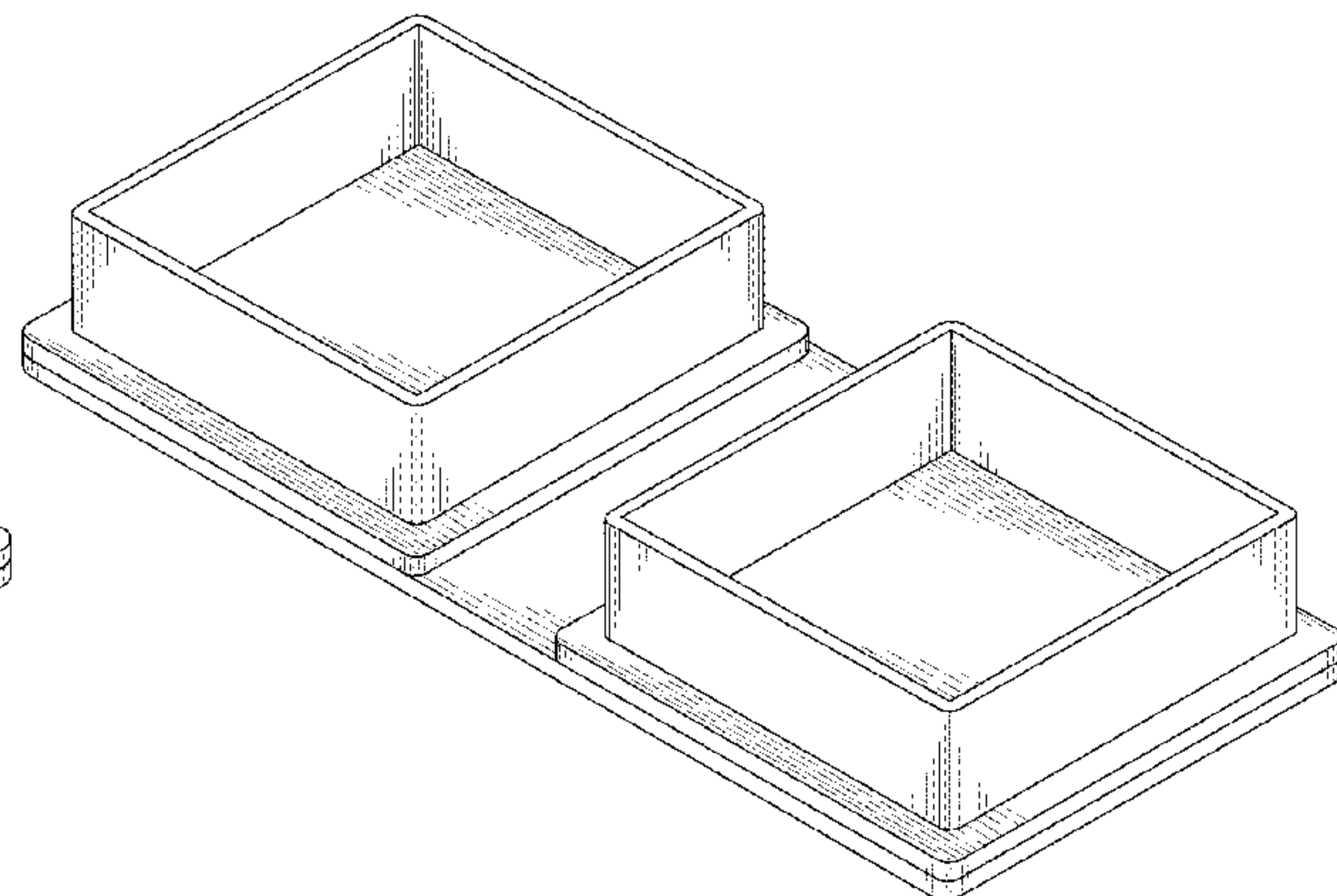
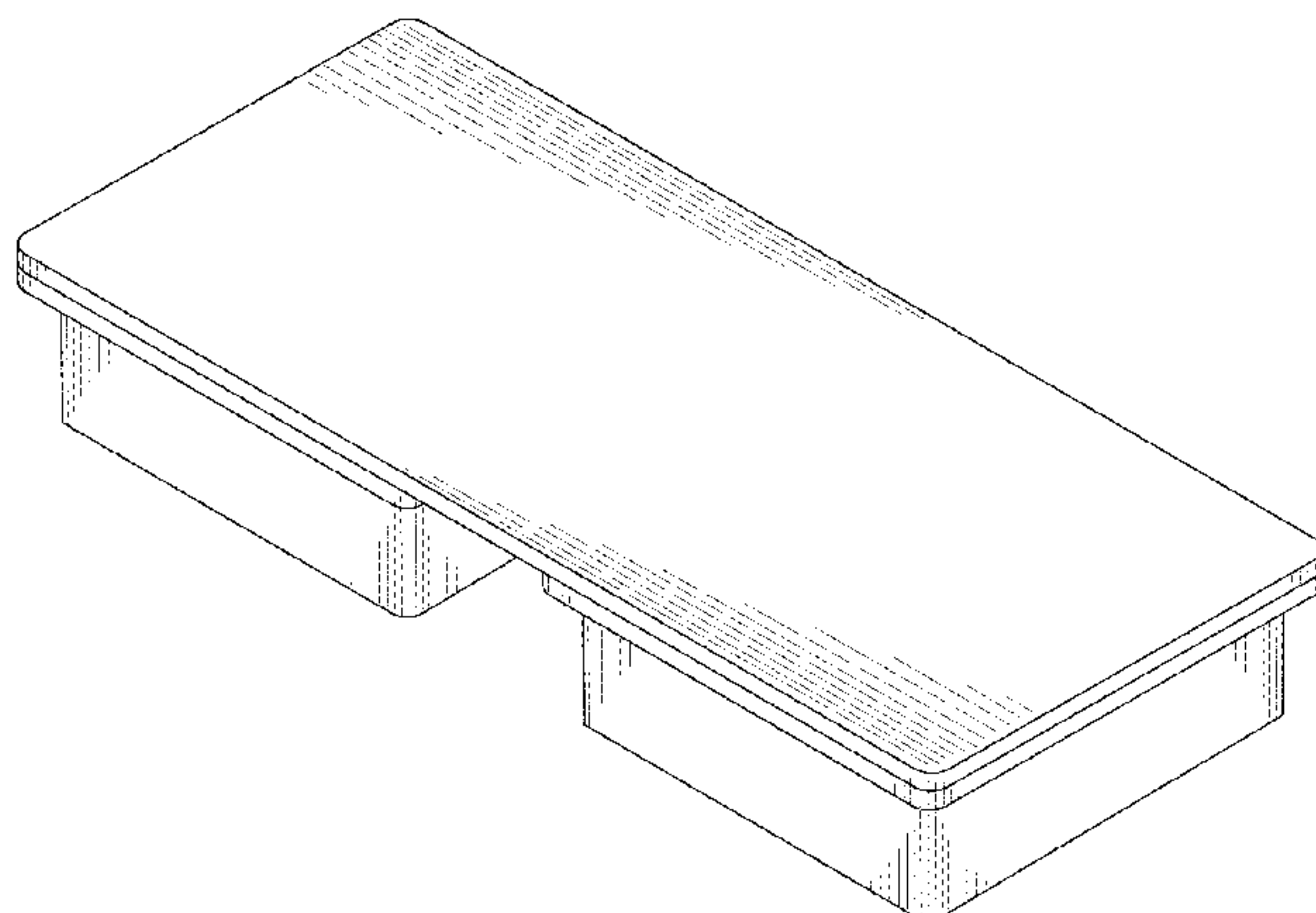
(57) **CLAIM**

The ornamental design for a wall frame cap, as shown and described.

DESCRIPTION

FIG. 1 is a top isometric view of the wall frame cap of the present invention;
 FIG. 2 is a bottom isometric view of the wall frame cap of FIG. 1;
 FIG. 3 is a top plan view of the wall frame cap of FIG. 1;
 FIG. 4 is a bottom plan view of the wall frame cap of FIG. 1;
 FIG. 5 is a front elevation view of the wall frame cap of FIG. 1, with the back elevation view being the same; and,
 FIG. 6 is a right side elevation view of the wall frame cap of FIG. 1, with the left side elevation view being the same.

1 Claim, 2 Drawing Sheets



(56)

References Cited

U.S. PATENT DOCUMENTS

D786,586 S 5/2017 Rosan
D791,885 S 7/2017 Rosan
D800,846 S 10/2017 Rosan
D809,162 S 1/2018 Rosan
10,196,826 B1 2/2019 Rosan
D884,802 S * 5/2020 Kelley D21/491
D900,346 S * 10/2020 Rosan D25/138

FOREIGN PATENT DOCUMENTS

JP D1482165 * 10/2013
KR 301035536.0000 12/2019

OTHER PUBLICATIONS

Best-Rite Fabric Standard Modular Panel, 6'x5', Gray; Staples website, Dec. 7, 2018 (7 pages); https://www.staples.com/Best-Rite-Fabric-Standard-Modular-Panel-6x5-Gary/product_302619.
End Cap Flat Square Star Stainless <https://www.starstainless.com.au/product/end-cap-flat-square/Uploaded> Oct. 2017 (Year: 2017).
Kebil LCH211 stainless steel handrail end cap, end cover, staircase railing caps <http://www.chinabalustrade.com/products/Square-stainless-steel-end-cap-for-handrail-LCH211.html> Aug. 11, 2016 (year: 2016).

* cited by examiner

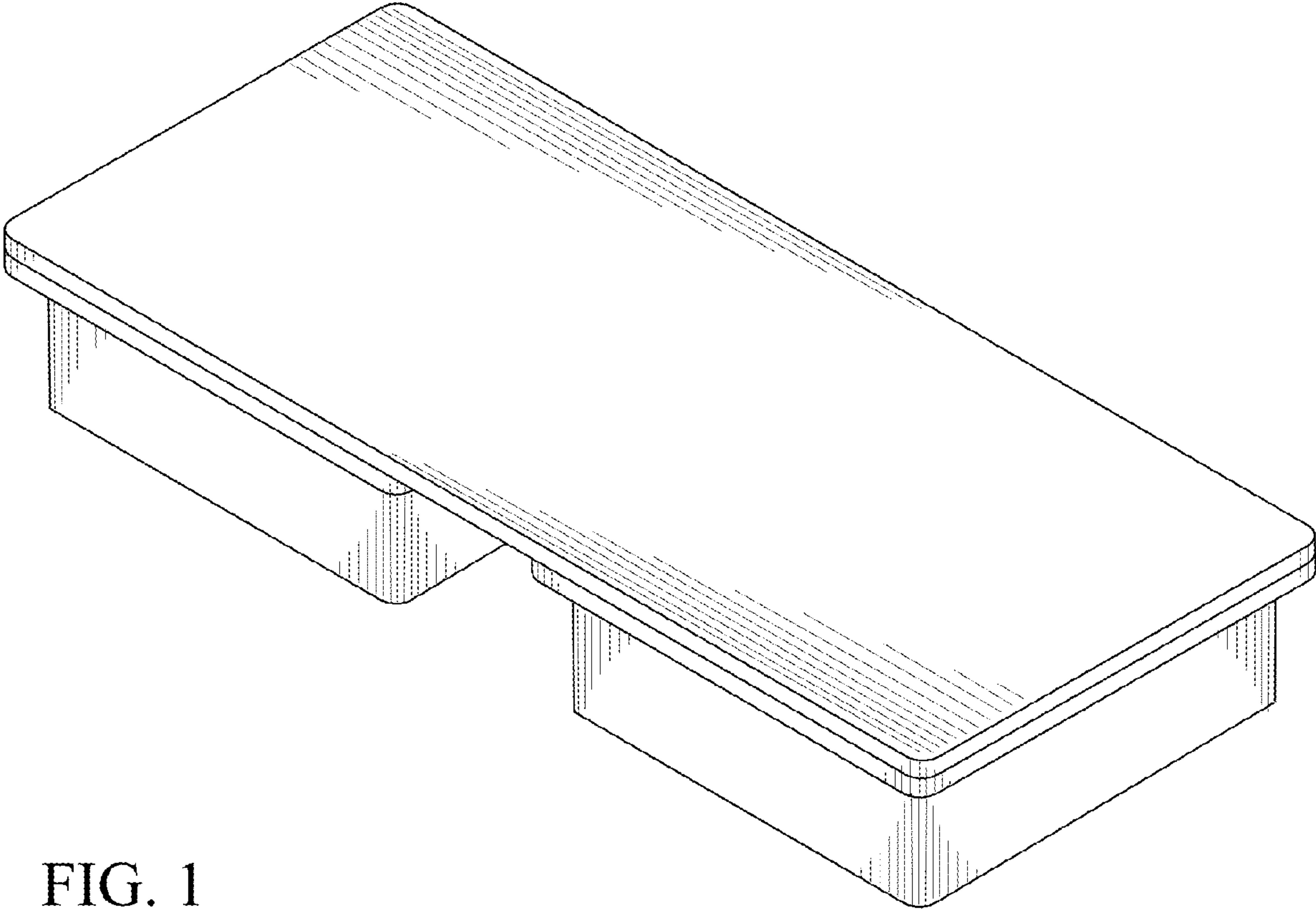


FIG. 1

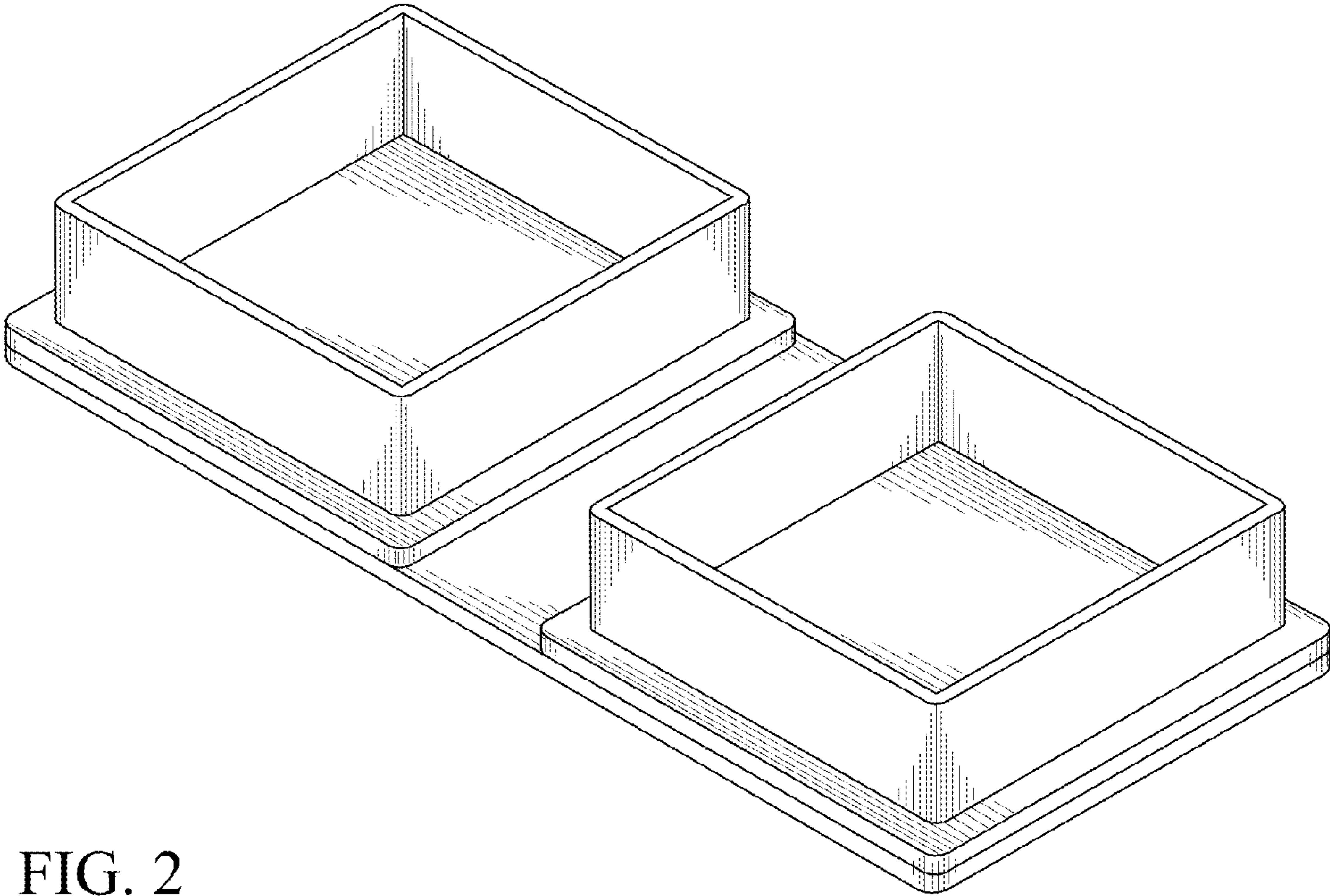


FIG. 2

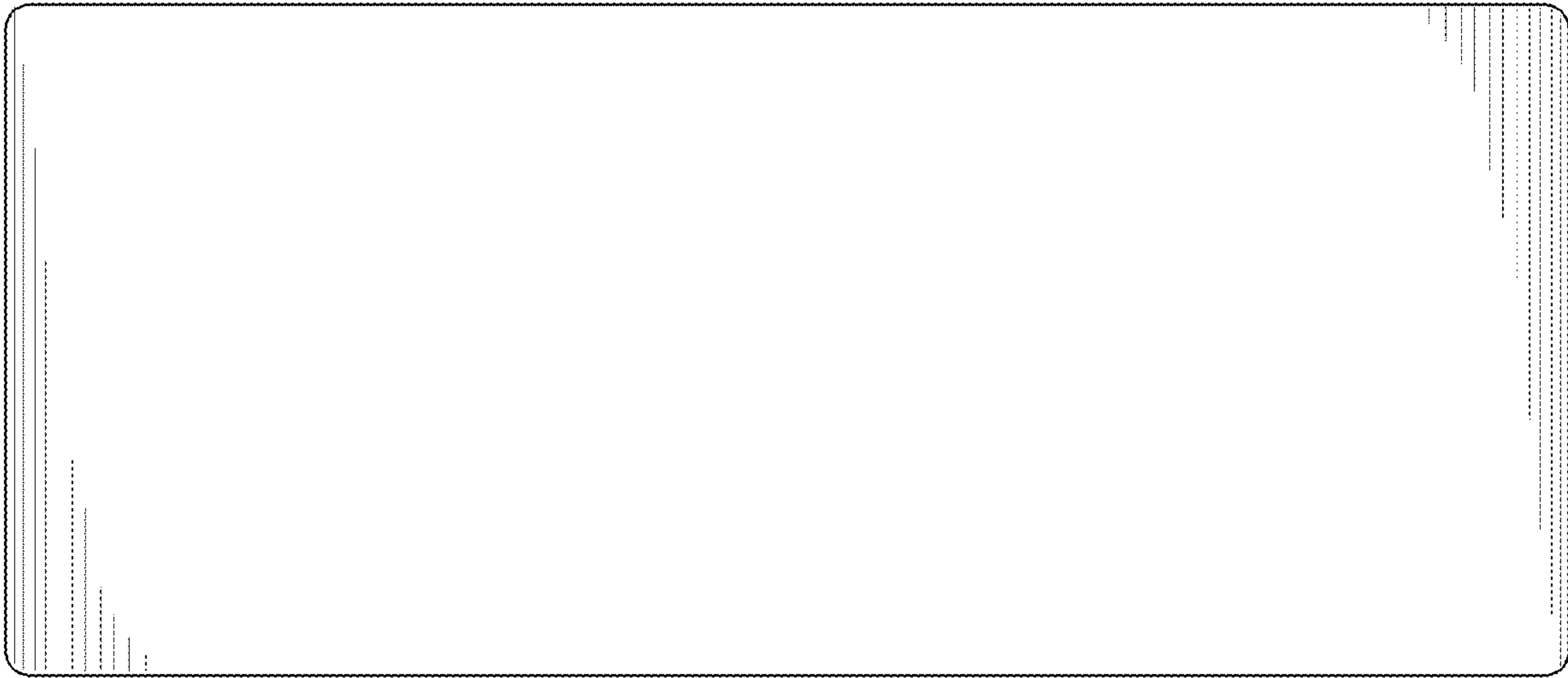


FIG. 3

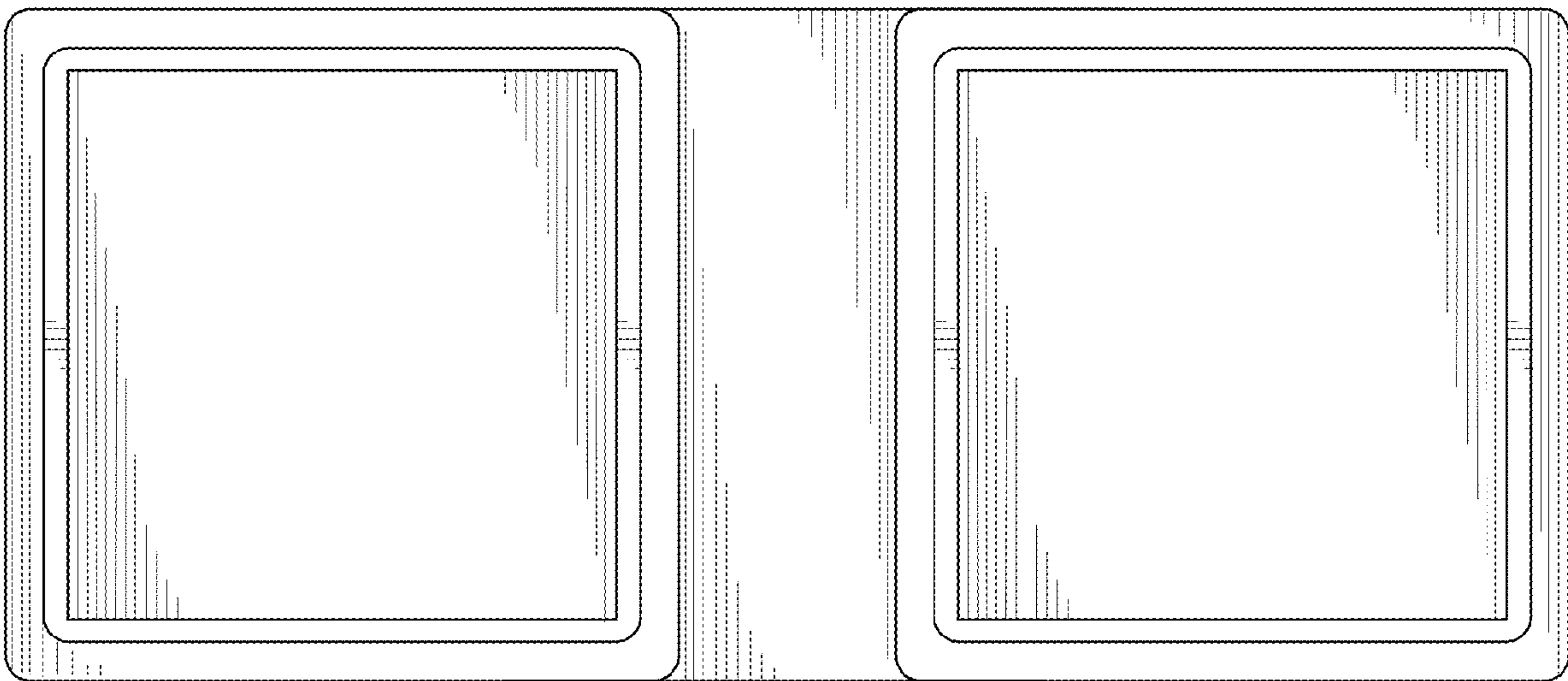


FIG. 4

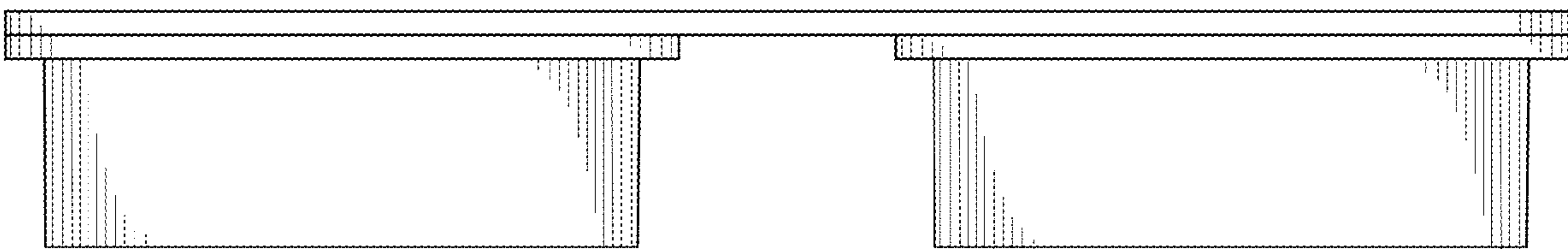


FIG. 5

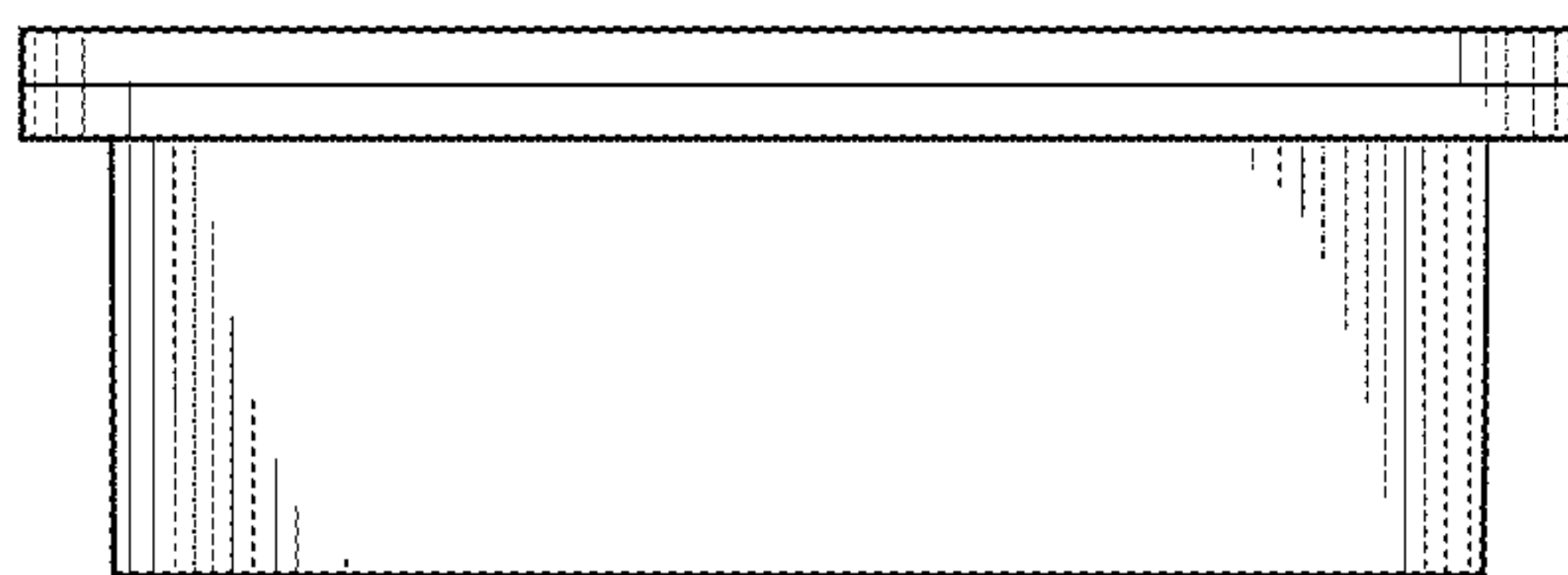


FIG. 6