



US00D948749S

(12) **United States Design Patent**
Ege et al.

(10) **Patent No.:** **US D948,749 S**
(45) **Date of Patent:** **** Apr. 12, 2022**

(54) **DOOR FACING**

(71) Applicant: **Masonite Corporation**, Tampa, FL (US)

(72) Inventors: **Patrick C. Ege**, Westmont, IL (US);
Dale Di Iulio, Waukesha, WI (US)

(73) Assignee: **Masonite Corporation**, Tampa, FL (US)

(**) Term: **15 Years**

(21) Appl. No.: **29/746,713**

(22) Filed: **Aug. 17, 2020**

Related U.S. Application Data

(62) Division of application No. 29/660,977, filed on Aug. 23, 2018, now Pat. No. Des. 893,753.

(51) **LOC (13) Cl.** **25-02**

(52) **U.S. Cl.**
USPC **D25/48.3**

(58) **Field of Classification Search**
USPC D25/48.1, 48.3, 48.4, 48.5, 138; D6/703,
D6/703.1, 703.2

(Continued)

(56) **References Cited**

U.S. PATENT DOCUMENTS

6,479,128 B1 * 11/2002 Schafernak B27N 3/00
144/358

D566,296 S * 4/2008 Walsh D25/138

(Continued)

Primary Examiner — Leanne Was-Englehart

(74) *Attorney, Agent, or Firm* — Berenato & White, LLC

(57) **CLAIM**

The ornamental design for a door facing therefor, as shown and described.

DESCRIPTION

FIG. 1 is a front perspective view of a first version of the door facing;

FIG. 2 is a front elevational view;
FIG. 3 is a rear elevational view;
FIG. 4 is an enlarged cross-sectional view taken along the line 4-4 of FIG. 1;
FIG. 5 is a top view;
FIG. 6 is a bottom view;
FIG. 7 is a cross-sectional view taken along the line 7-7 of FIG. 2;
FIG. 8 is an enlarged cross-sectional view of the encircled portion of FIG. 7;
FIG. 9 is a right side view;
FIG. 10 is a left side view;
FIG. 11 is a cross-sectional view taken along the line 11-11 of FIG. 2;
FIG. 12 is an enlarged cross-sectional view of the encircled portion of FIG. 11;
FIG. 13 is a front perspective view of a second version of the door facing;
FIG. 14 is a front elevational view;
FIG. 15 is a rear elevational view;
FIG. 16 an enlarged cross-sectional view taken along the line 16-16 of FIG. 13;
FIG. 17 is a top view;
FIG. 18 is a bottom view;
FIG. 19 is a cross-sectional view taken along the line 19-19 of FIG. 14;
FIG. 20 is an enlarged fragmentary cross-sectional view of the encircled portion of FIG. 19;
FIG. 21 is a right side view;
FIG. 22 is a left side view;
FIG. 23 is a cross-sectional view taken along the line 23-23 of FIG. 14;
FIG. 24 is an enlarged cross-sectional view of the encircled portion of FIG. 23;
FIG. 25 is a front perspective view of a third version of the door facing according to the first version of our door design;
FIG. 26 is a front elevational view;
FIG. 27 is a front perspective view of a fourth version of a the door facing;
FIG. 28 is a front elevational view;
FIG. 29 is a front perspective view of a fifth version of a the door facing;
FIG. 30 is a front elevational;

(Continued)

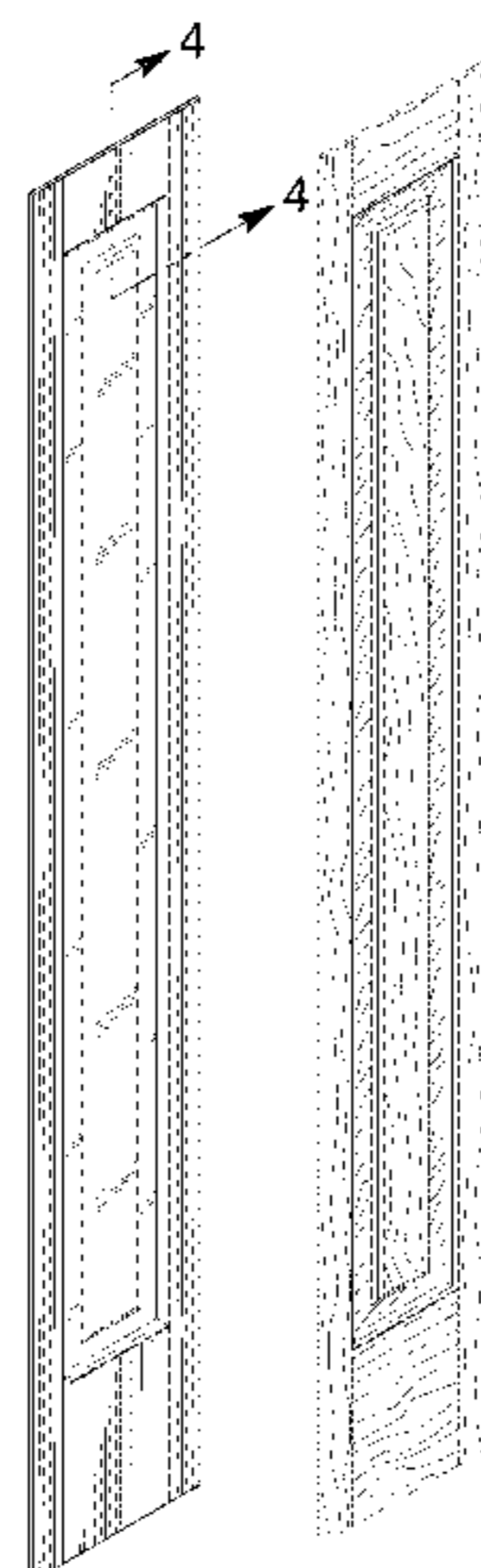


FIG. 31 is a front perspective view of a sixth version of the door facing; and,
 FIG. 32 is a front elevational view.
 The evenly spaced broken lines depict portions of the door facing that form no part of the claimed design. The dot-dot-dash broken line circles depict the limits of the enlarged views and form no part of the claimed design.

1 Claim, 22 Drawing Sheets

(58) **Field of Classification Search**

CPC E06B 3/58; E06B 3/72; E06B 3/78; E06B 3/485; E06B 3/4636; E06B 3/5892; E06B 3/7001; E06B 2003/7044; E06B 2003/7048; E06B 1/04; E06B 1/006; E06B 1/524; E06B 5/00; E04C 2/36
 See application file for complete search history.

(56)

References Cited

U.S. PATENT DOCUMENTS

D576,740	S *	9/2008	Steiber	D25/48.3
D588,709	S *	3/2009	Walsh	D25/138
D649,262	S *	11/2011	Walsh	D25/48.1
8,499,516	B2 *	8/2013	White	E06B 7/30 52/455
D726,935	S *	4/2015	Wysock	D25/48.3
D740,963	S *	10/2015	Wysock	D25/48.3
D766,459	S *	9/2016	Cox	D25/48.3
D829,929	S *	10/2018	Cox	D25/48.3
D893,753	S *	8/2020	Ege	E06B 3/72 D25/48.3
2002/0086107	A1 *	7/2002	Paxton	B27N 3/08 427/254

* cited by examiner

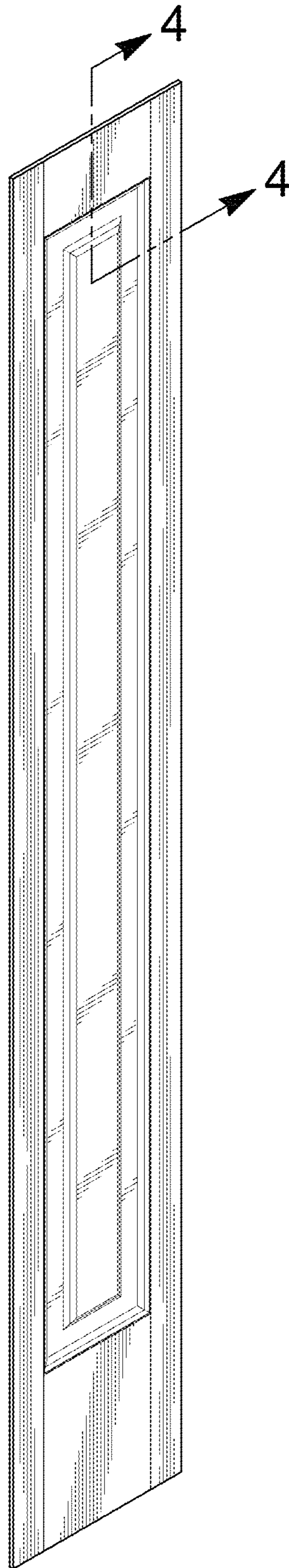


FIG. 1

FIG. 2

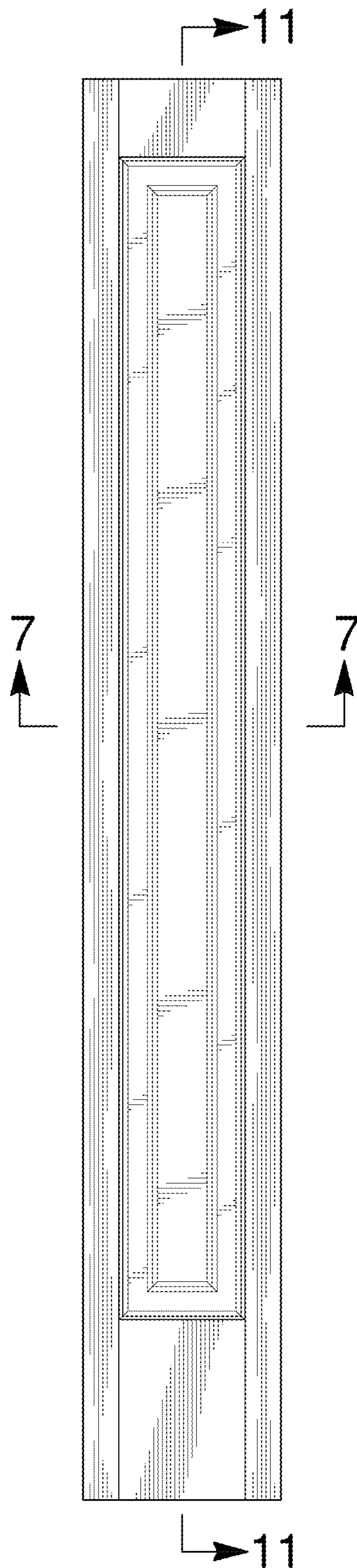


FIG. 3

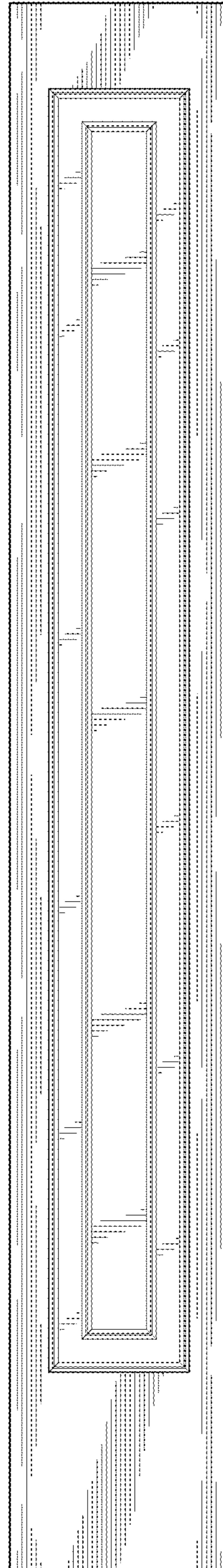


FIG. 4

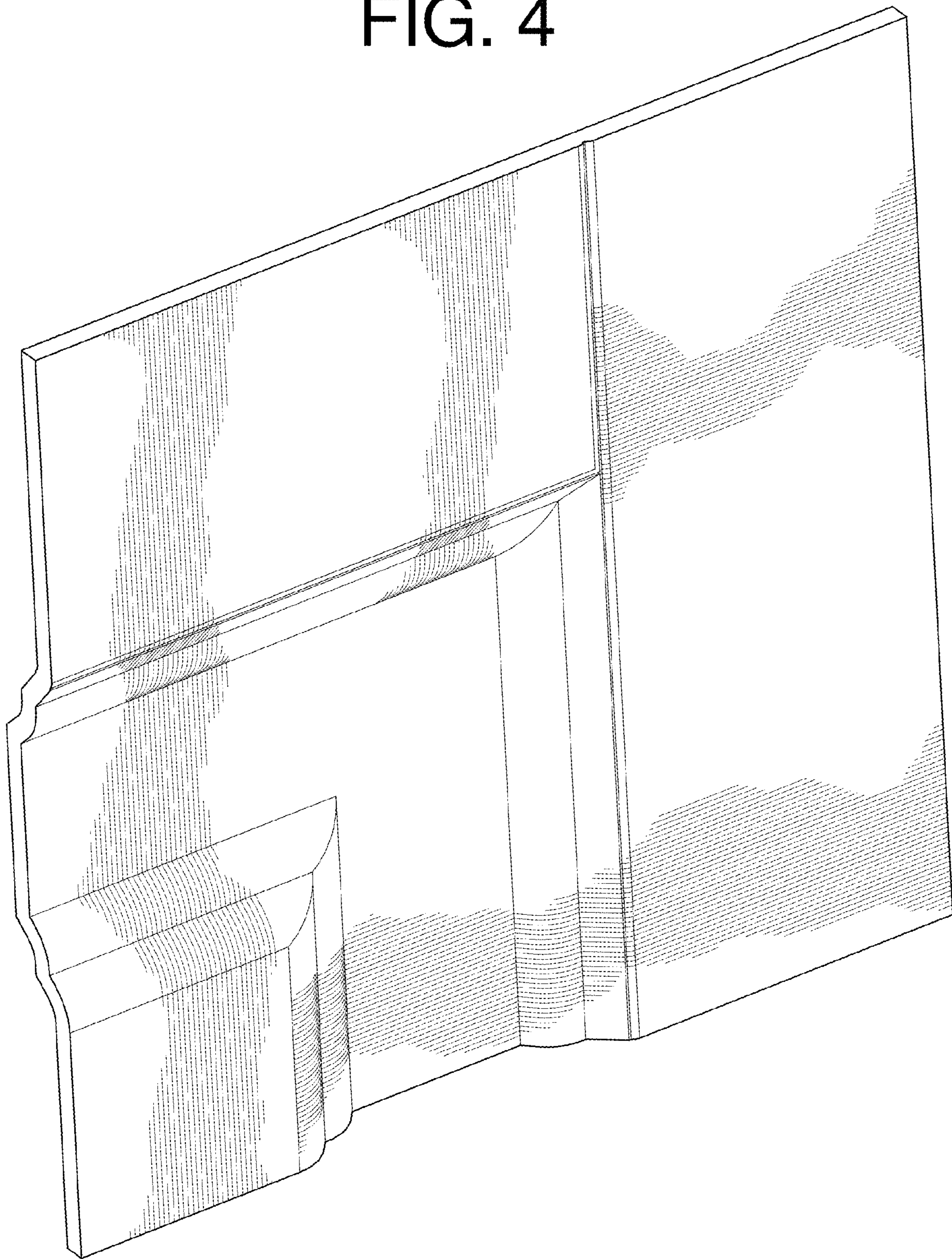


FIG. 5

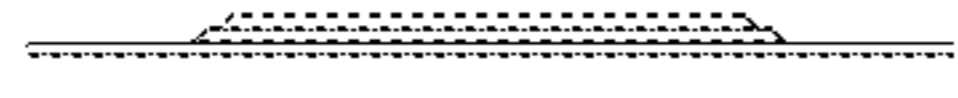


FIG. 6

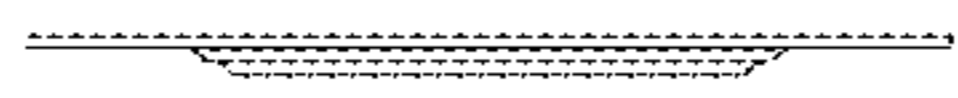


FIG. 7

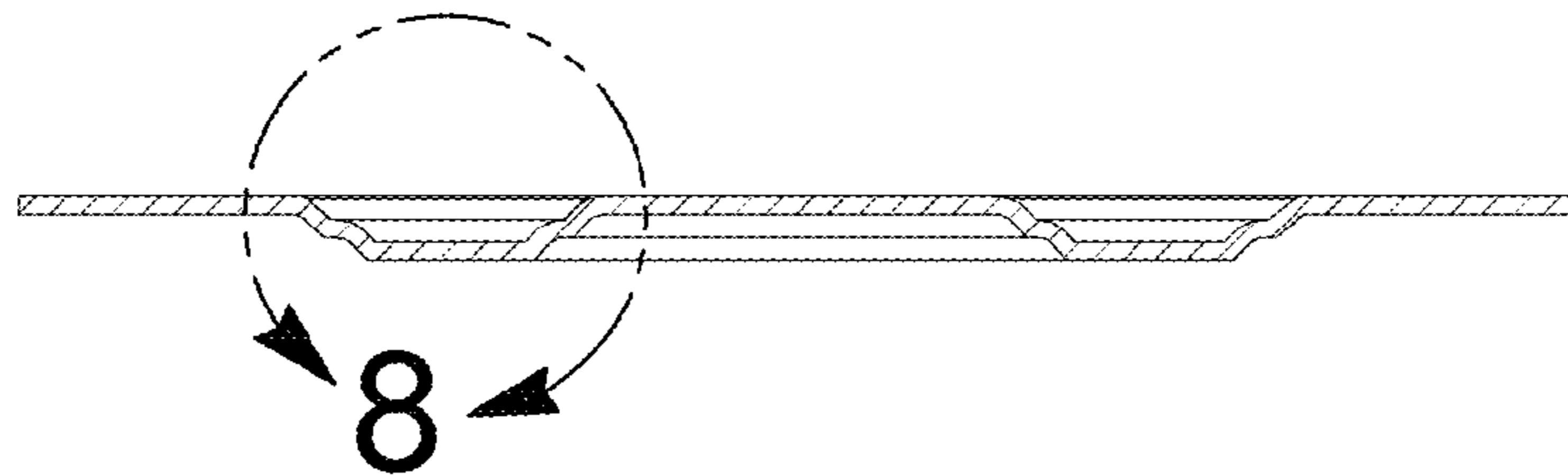


FIG. 8

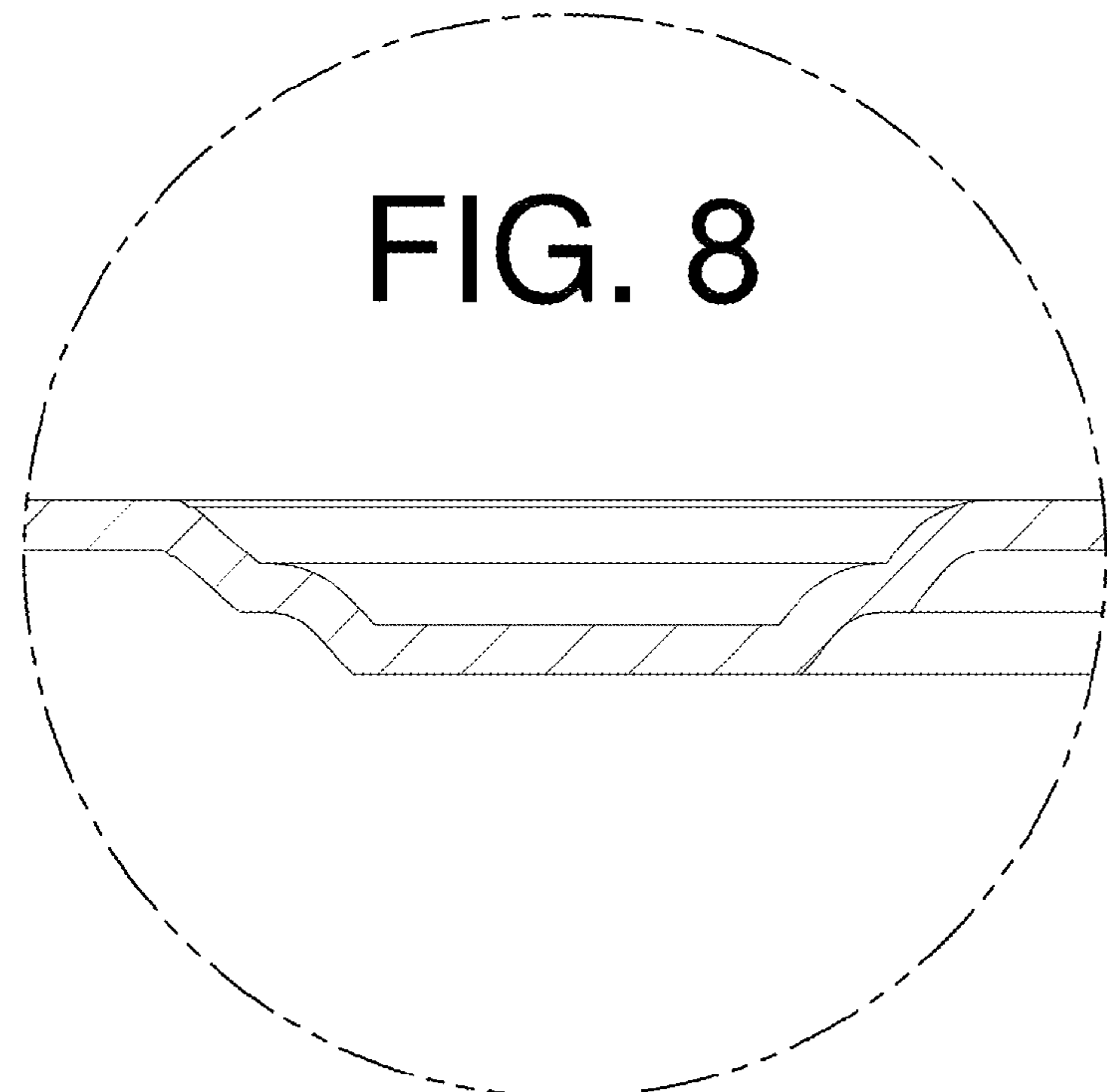


FIG. 9

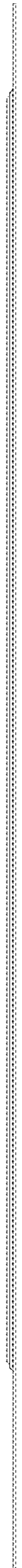


FIG. 10



FIG. 11

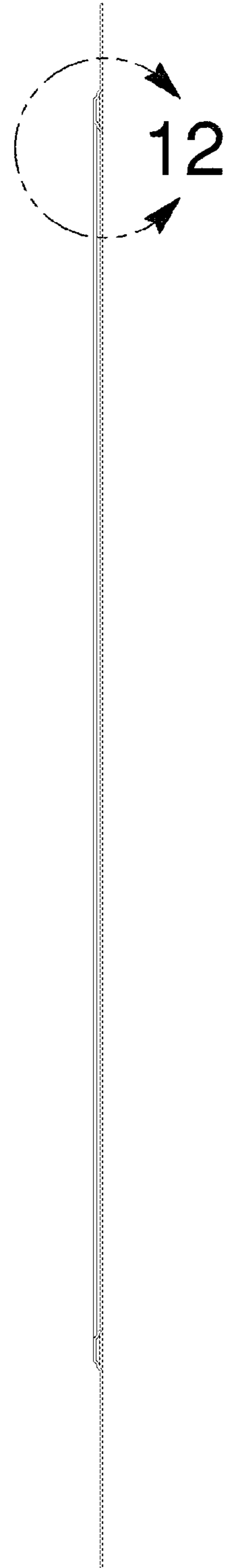
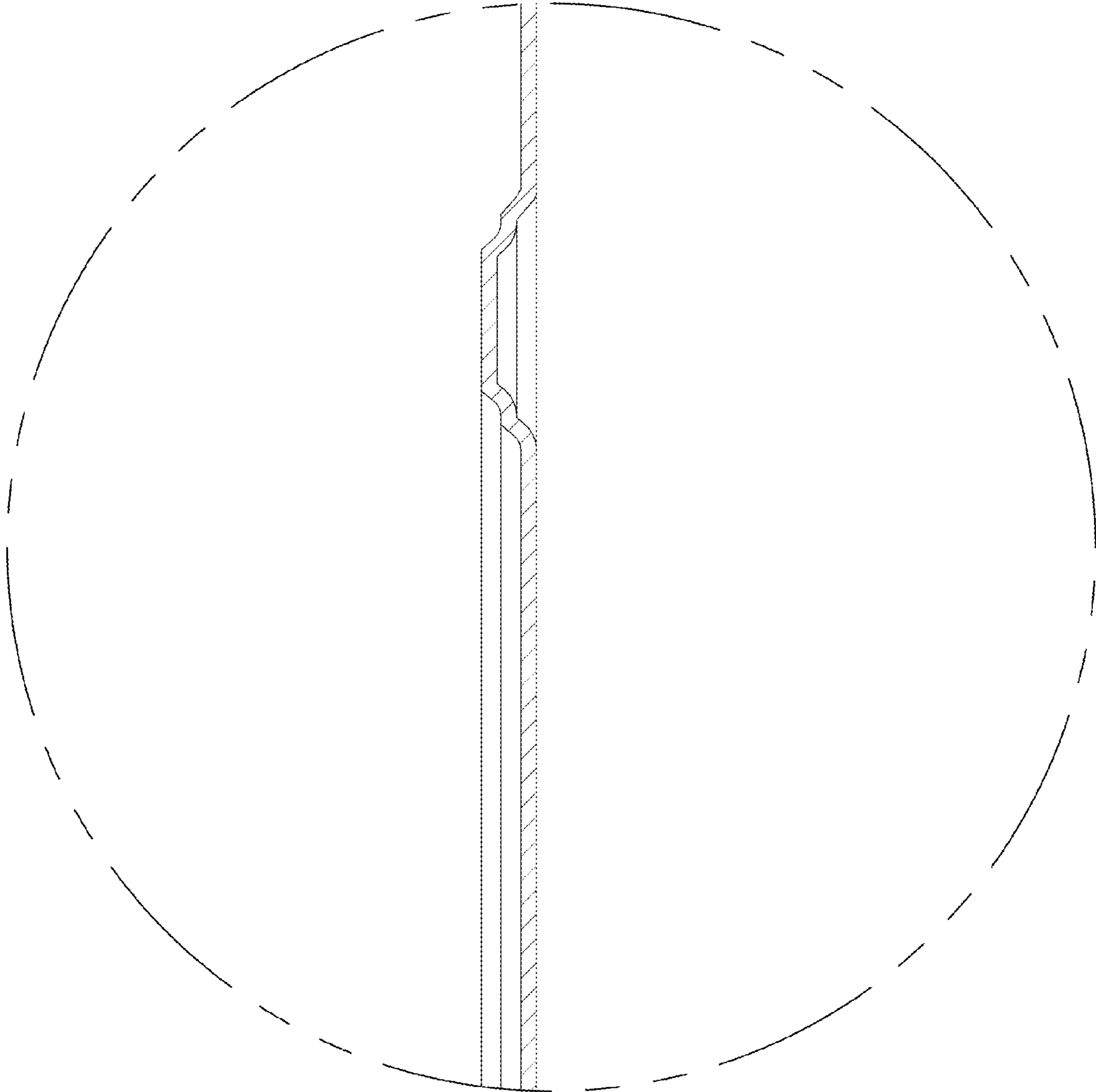


FIG. 12



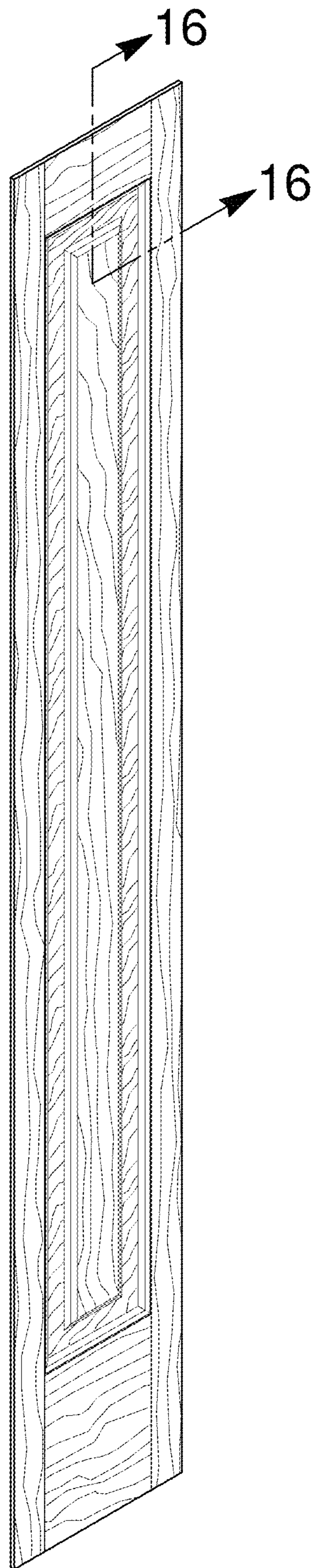


FIG. 13

FIG. 14

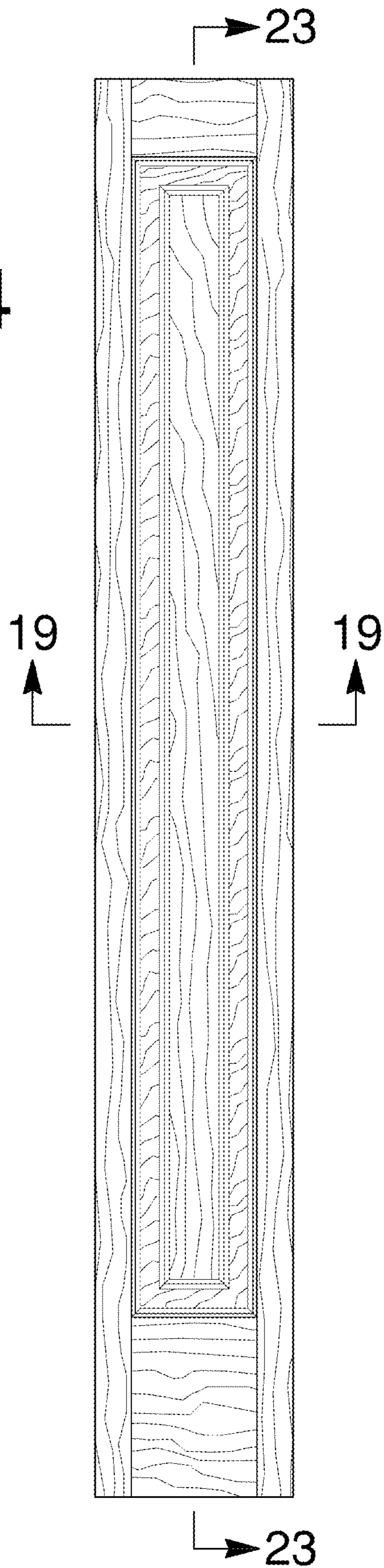


FIG. 15

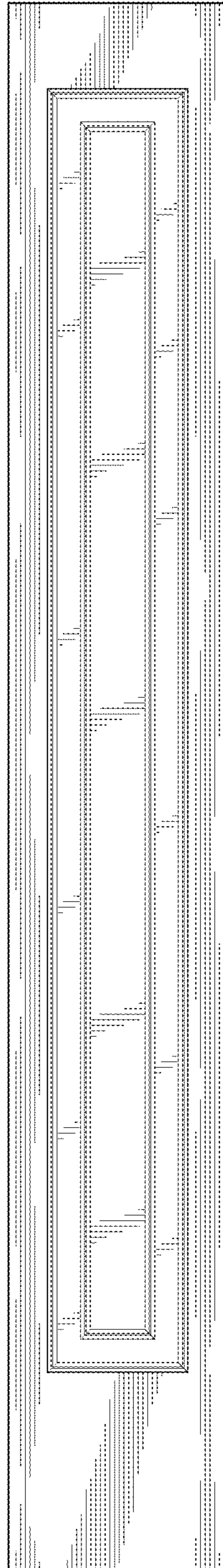


FIG. 16

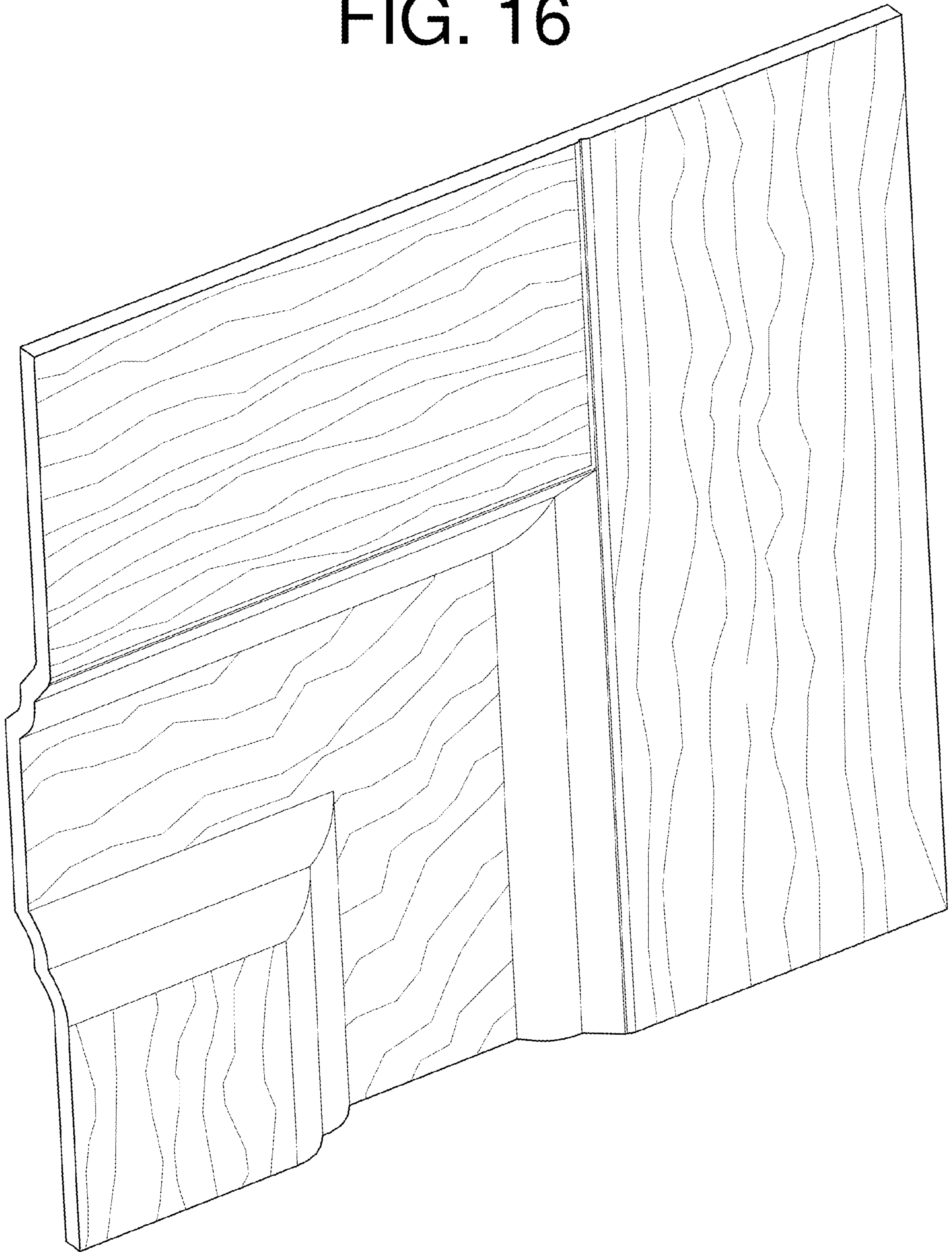


FIG. 17

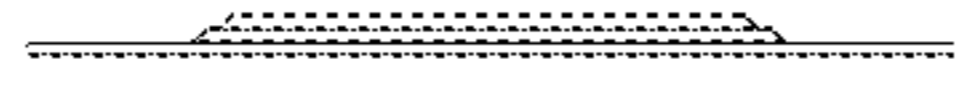


FIG. 18

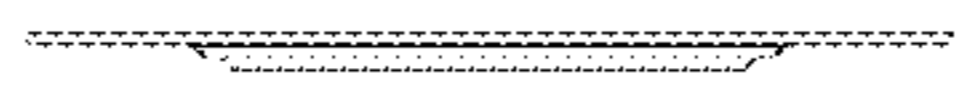


FIG. 19

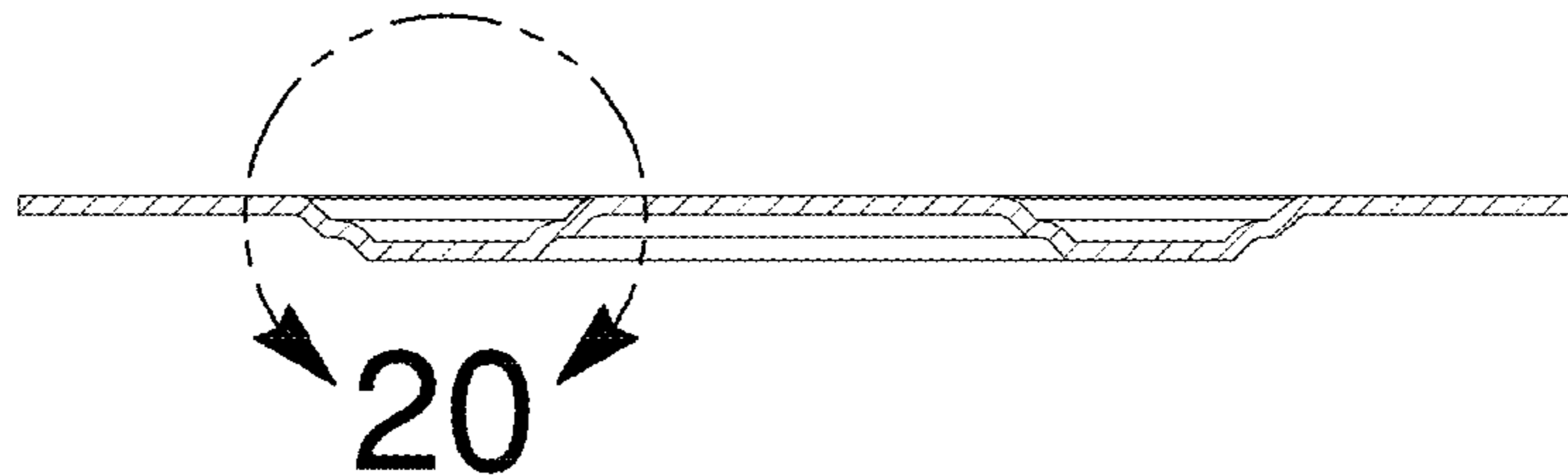


FIG. 20

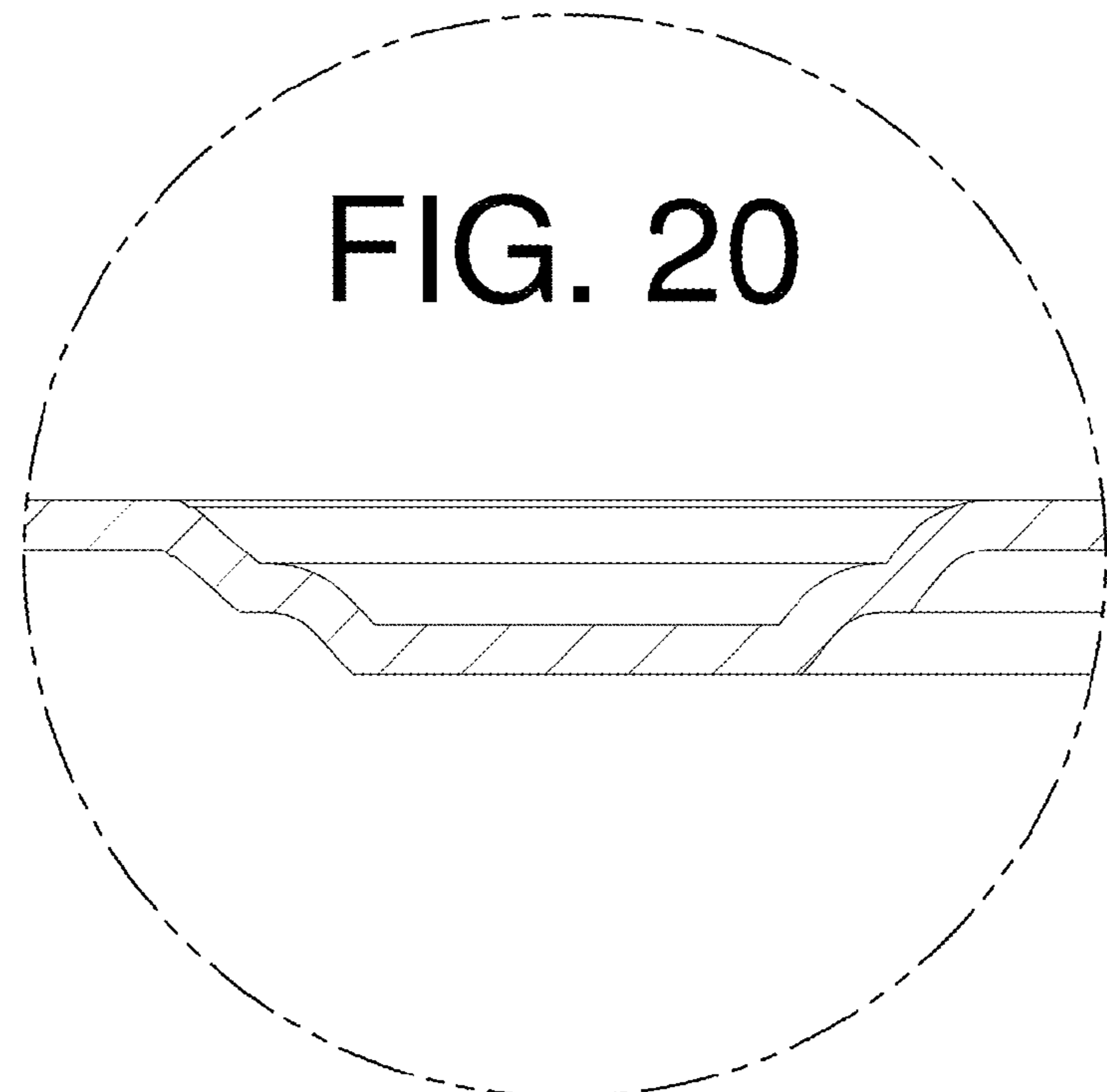


FIG. 21



FIG. 22



FIG. 23

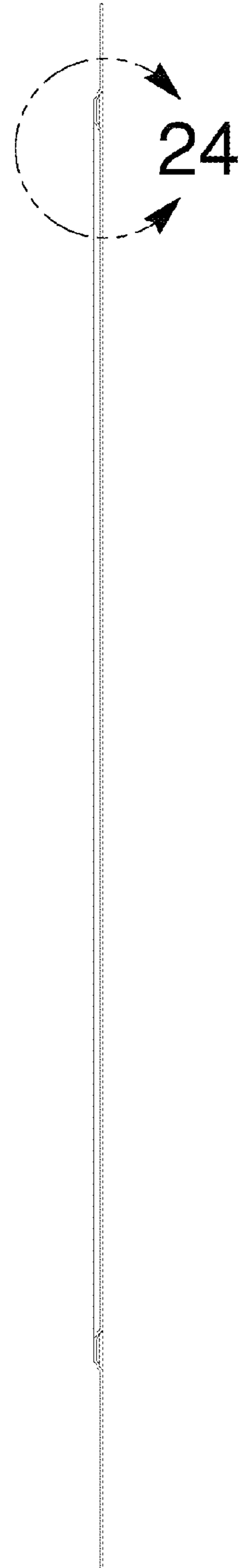
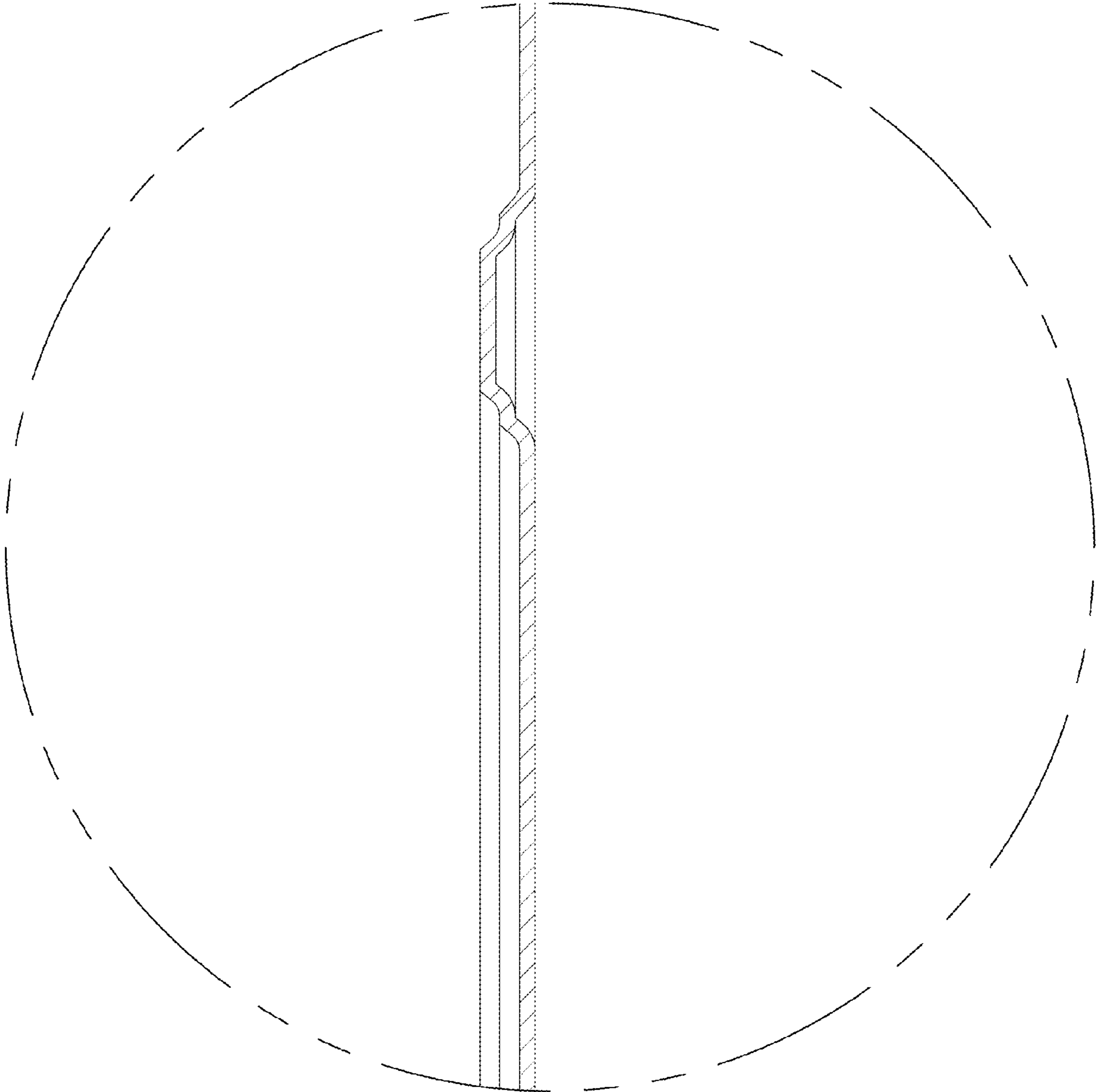


FIG. 24



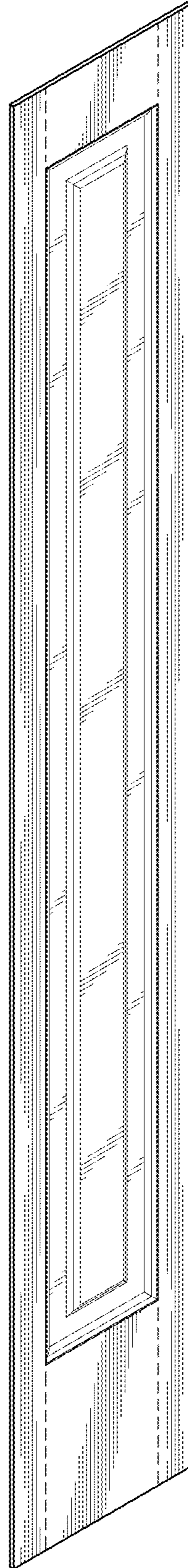
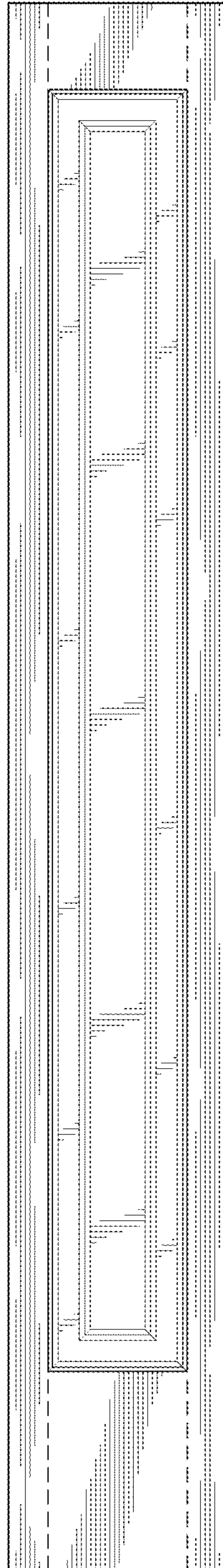


FIG. 25

FIG. 26



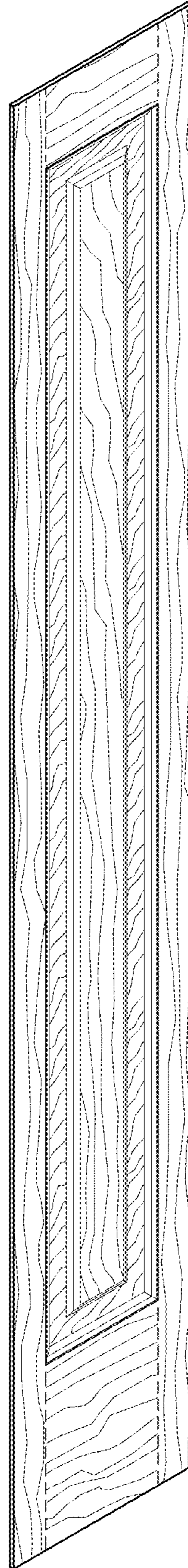


FIG. 27

FIG. 28

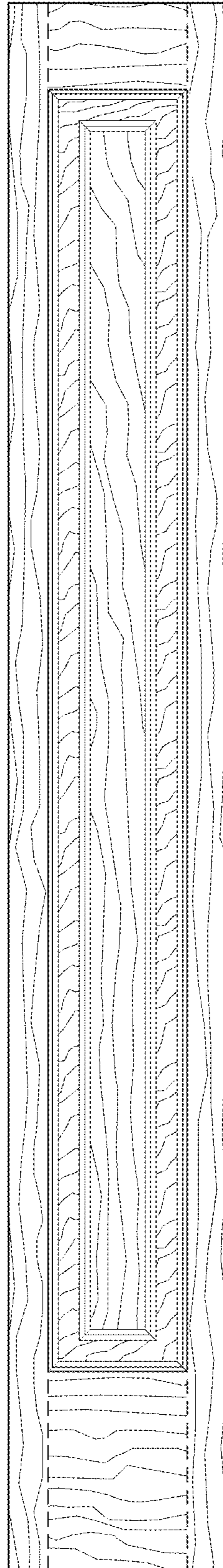


FIG. 29

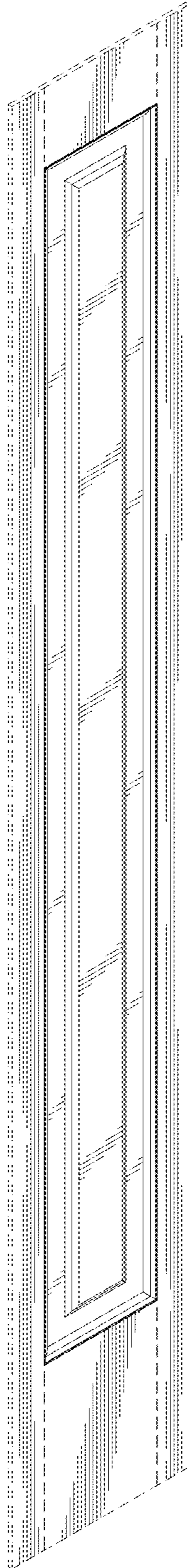
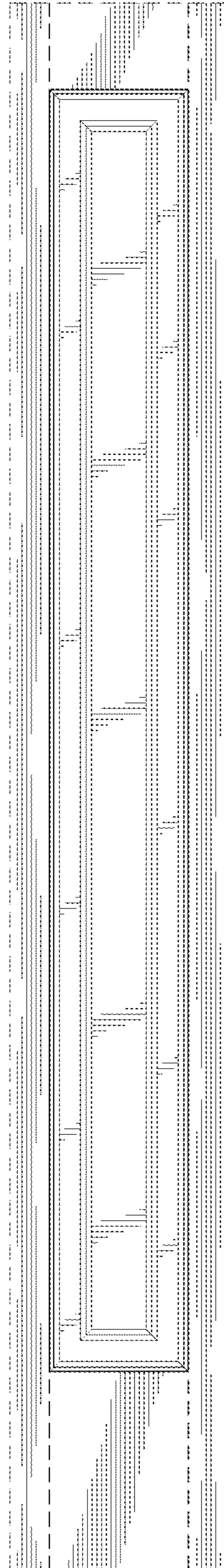


FIG. 30



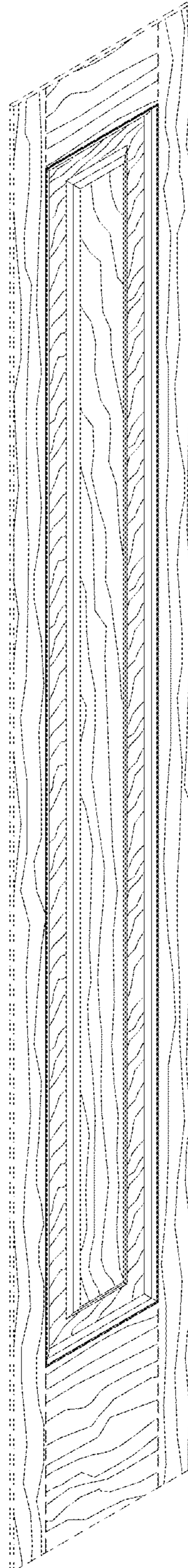


FIG. 31

FIG. 32

