



US00D948748S

(12) **United States Design Patent** (10) **Patent No.:** **US D948,748 S**
Loffler (45) **Date of Patent:** **** Apr. 12, 2022**

- (54) **TIPI DOOR**
- (71) Applicant: **NOMADICS TIPI MAKERS**, Bend, OR (US)
- (72) Inventor: **Nicole Loffler**, Bend, OR (US)
- (73) Assignee: **NOMADICS TIPI MAKERS**, Bend, OR (US)
- (**) Term: **15 Years**
- (21) Appl. No.: **29/745,006**
- (22) Filed: **Aug. 3, 2020**
- (51) **LOC (13) Cl.** **25-02**
- (52) **U.S. Cl.**
USPC **D25/48.3**
- (58) **Field of Classification Search**
USPC D21/834, 836, 839; D25/1, 17, 22, 23,
D25/26, 48.1, 48.3, 48.4, 48.8
CPC E04H 15/00; E04H 15/24; E04H 15/32;
E04B 1/3211
See application file for complete search history.

- D896,336 S * 9/2020 Alemdar D21/834
- D909,527 S * 2/2021 Alemdar D21/839
- D928,898 S * 8/2021 Catalanello D21/836
- 2015/0040958 A1 * 2/2015 Martin E04H 15/24
135/99

OTHER PUBLICATIONS

Nomadics Tipi Door YouTube <https://www.youtube.com/watch?v=cfTyw4bkwgl> Mar. 18, 2015 (Year: 2015).*
TIPI.com <https://tipi.com/photo-gallery-3-0/> Jan. 2019 (Year: 2019).*

* cited by examiner

Primary Examiner — Leanne Was-Englehart
(74) *Attorney, Agent, or Firm* — McDonnell Boehnen Hulbert & Berghoff LLP

(57) **CLAIM**

I claim the ornamental design for a tipi door, as shown and described.

DESCRIPTION

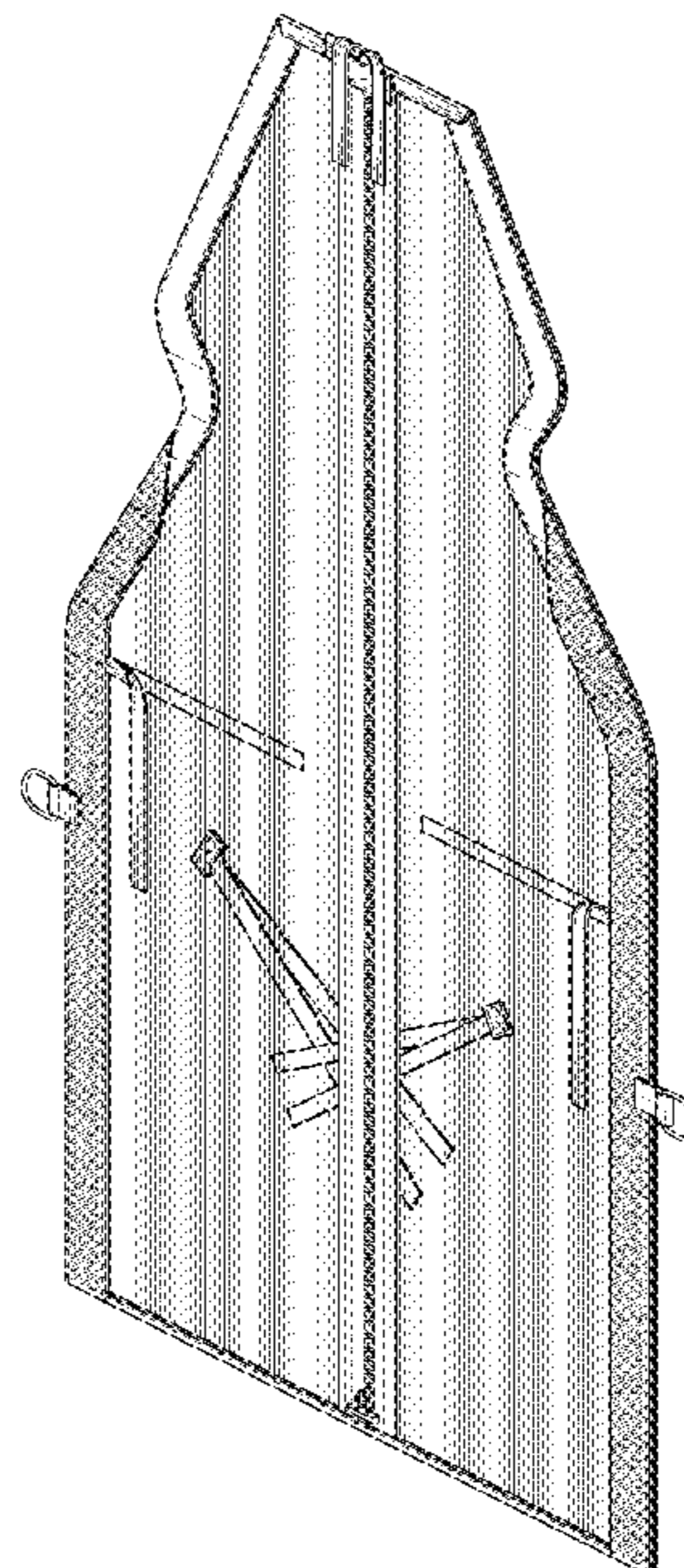
FIG. 1 is a perspective view of the tipi door viewed from the back and left side thereof;
FIG. 2 is a perspective view of the tipi door viewed from the front and left side thereof;
FIG. 3 is a back plan view thereof;
FIG. 4 is a front plan view thereof;
FIG. 5 is a left side elevation view thereof;
FIG. 6 is a right side elevation view thereof;
FIG. 7 is a top view thereof;
FIG. 8 is a bottom view thereof; and,
FIG. 9 is a perspective view of the tipi door viewed from the back and left side thereof with an inside panel partially pulled back and tied open.
The dash-dash-dash lines are used for the purpose of illustrating stitching on specific portions of the article.

1 Claim, 7 Drawing Sheets

(56) **References Cited**

U.S. PATENT DOCUMENTS

- 3,176,698 A * 4/1965 Warner E04H 15/24
135/100
- 3,406,698 A * 10/1968 Hutchison E04H 15/24
135/92
- D282,782 S * 2/1986 Juairé D25/157
- 4,838,292 A * 6/1989 Allen E04H 9/14
135/100
- 4,838,293 A * 6/1989 Novak E04H 15/24
135/100
- D586,474 S * 2/2009 Tsay D25/48.3
- D692,083 S * 10/2013 Toland D21/834
- D812,175 S * 3/2018 Gu D21/834



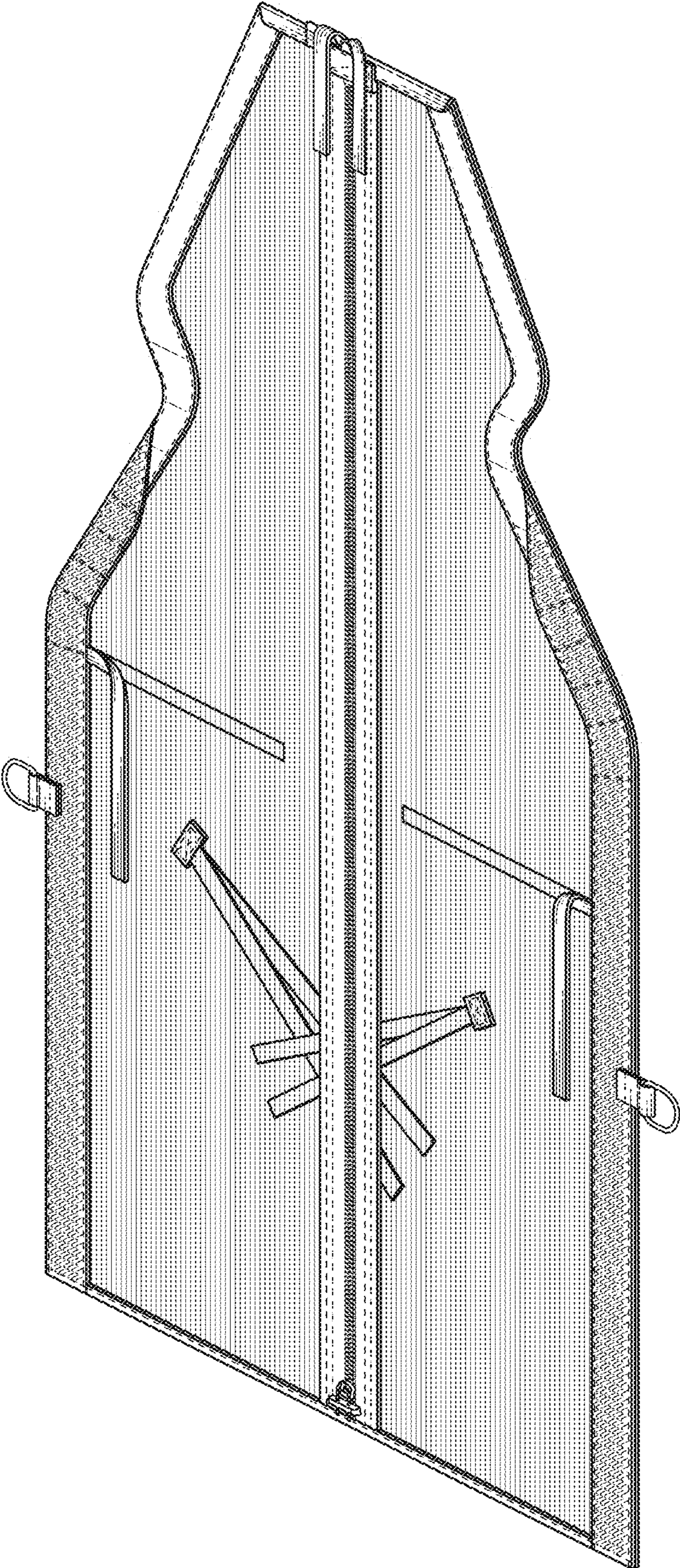


FIG. 1

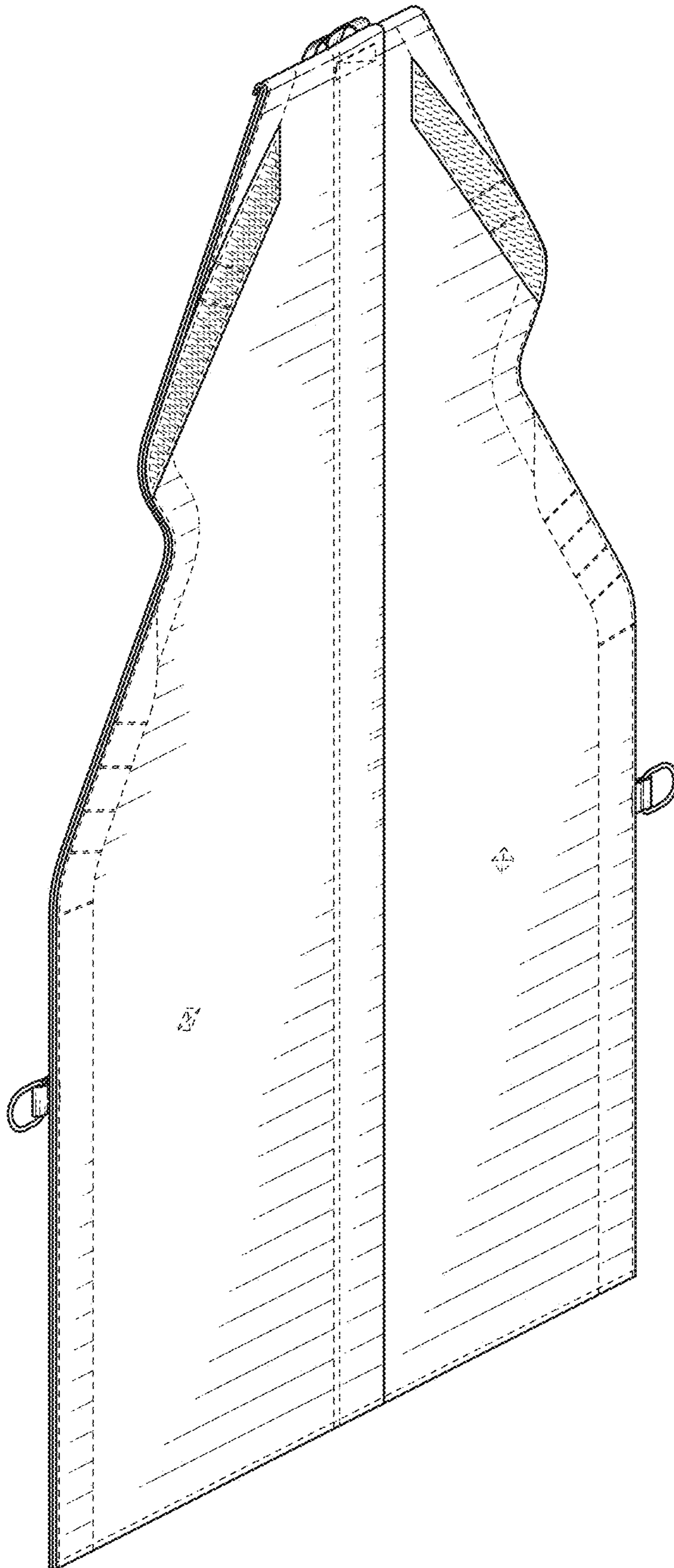


FIG. 2

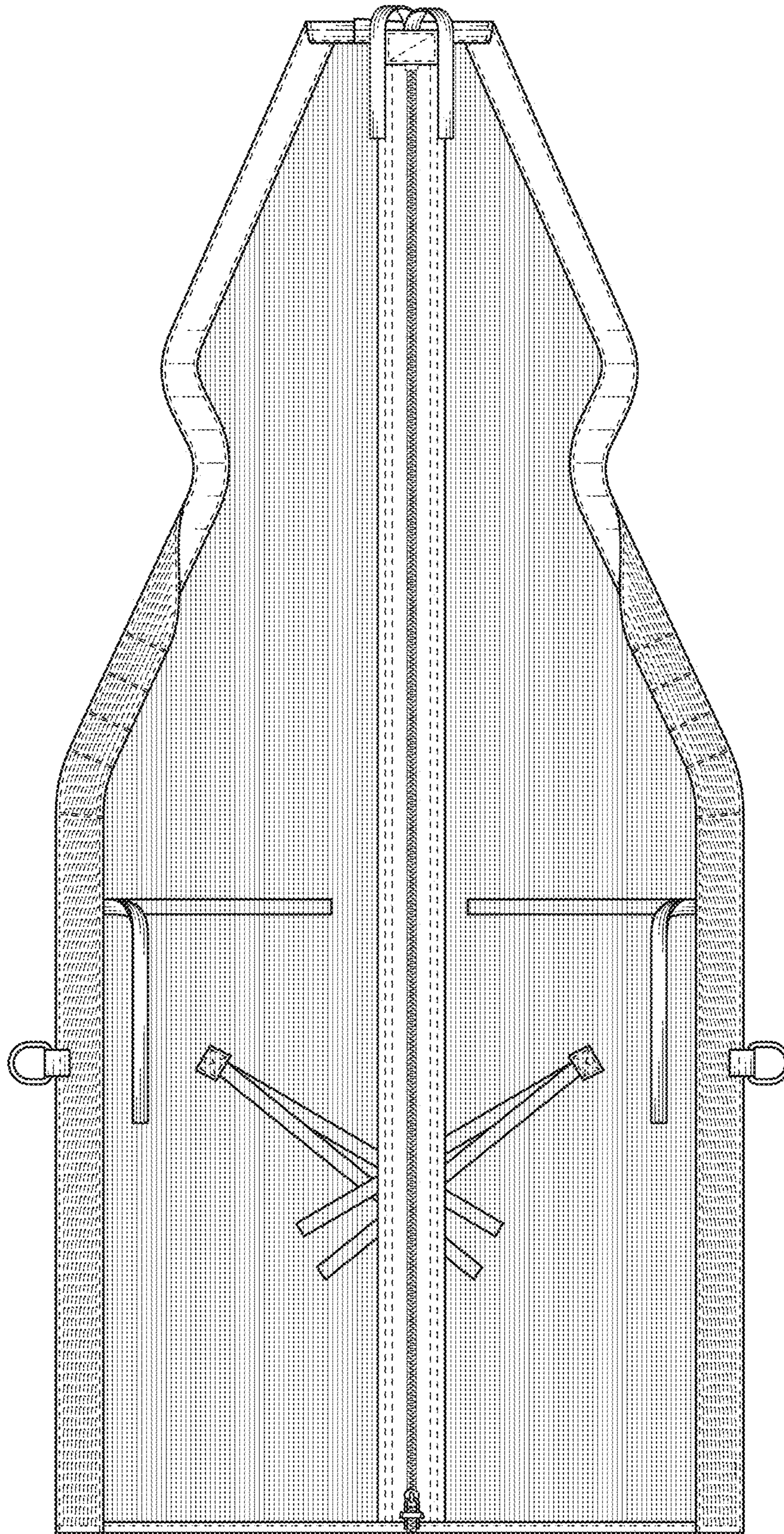


FIG. 3

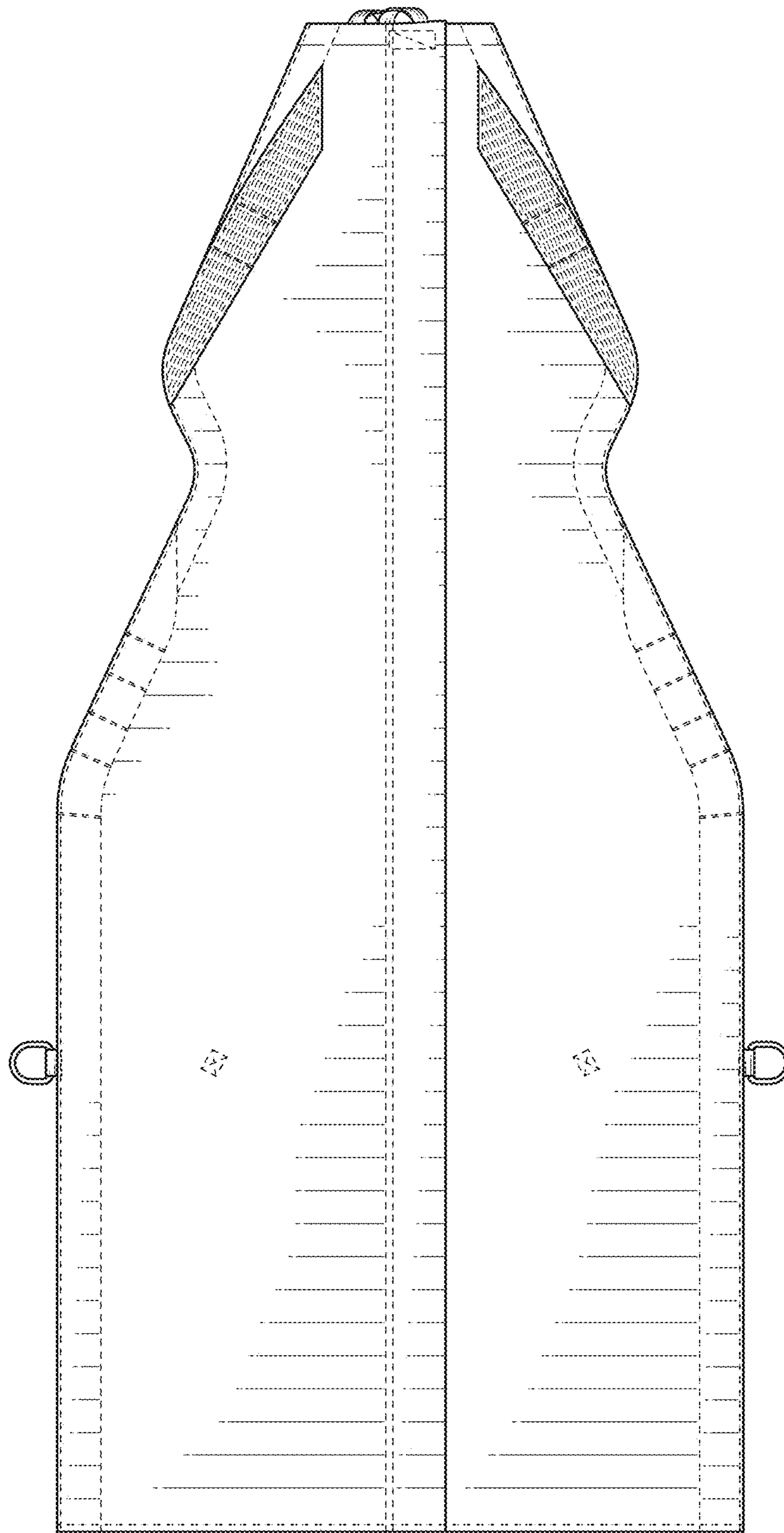


FIG. 4

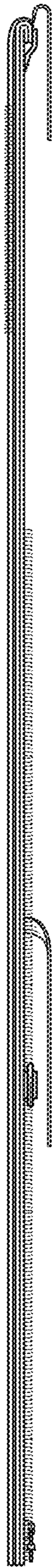


FIG. 5



FIG. 6

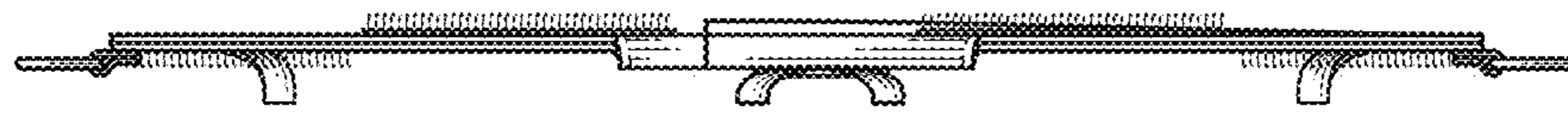


FIG. 7



FIG. 8

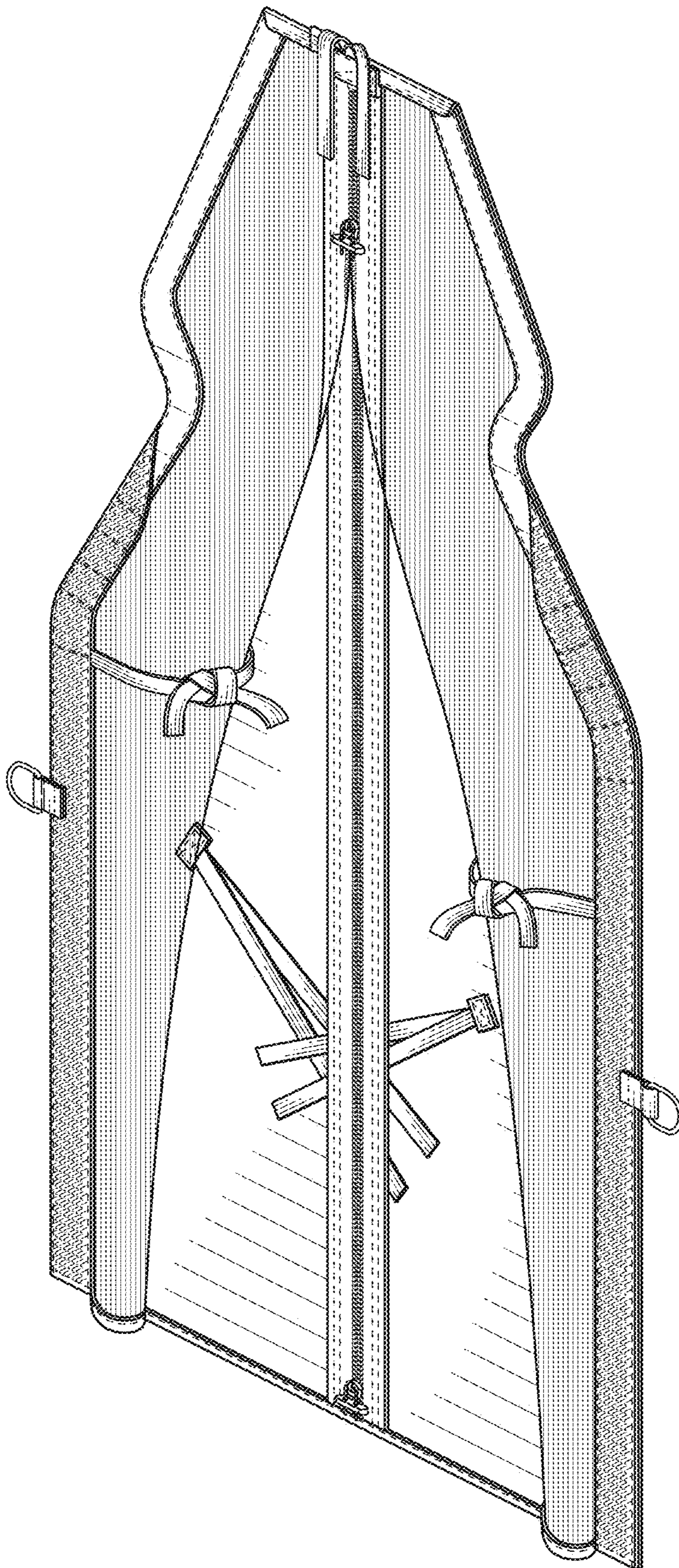


FIG. 9