



US00D948747S

(12) **United States Design Patent** (10) **Patent No.:** **US D948,747 S**
Garcia, III et al. (45) **Date of Patent:** **** Apr. 12, 2022**

(54) **VEHICLE VENDING BUILDING**

(71) Applicant: **Carvana, LLC**, Tempe, AZ (US)
(72) Inventors: **Ernest C. Garcia, III**, Phoenix, AZ (US); **Bret Sassenberg**, Tempe, AZ (US)

(73) Assignee: **Carvana, LLC**, Tempe, AZ (US)

(**) Term: **15 Years**

(21) Appl. No.: **29/678,133**

(22) Filed: **Jan. 25, 2019**

(51) **LOC (13) Cl.** **25-03**

(52) **U.S. Cl.**
USPC **D25/6**

(58) **Field of Classification Search**
USPC D25/1, 3-35, 56, 58, 59, 61
CPC E04H 1/00-06; E04H 6/08; E04H 6/10;
E04H 6/12-287; E04B 1/19; E04B
2001/1927

See application file for complete search history.

(56) **References Cited**

U.S. PATENT DOCUMENTS

1,096,758 A * 5/1914 Rogers E04H 13/006
52/132
D97,539 S * 11/1935 Teague D25/34
2,154,897 A * 4/1939 Grant
2,698,973 A * 1/1955 Zeckendorf E04H 1/04
52/185
3,033,499 A * 5/1962 Ash E04H 3/00
D25/3
3,105,999 A * 10/1963 Piazolo E04H 6/08
52/176

(Continued)

FOREIGN PATENT DOCUMENTS

CN 304928637 * 12/2018
WO D042209-001 * 11/1997

OTHER PUBLICATIONS

Samudra, Plus-Shaped-Hotel, Apr. 2, 2014, 3D Warehouse, <https://3dwarehouse.sketchup.com/model/5664d66e9c4d7446e7ef9ff09638f8e/Plus-Shaped-Hotel?hl=en> (Year: 2014).*

(Continued)

Primary Examiner — Brett Miller

(74) *Attorney, Agent, or Firm* — The Marbury Law Group, PLLC

(57) **CLAIM**

The ornamental design for a vehicle vending building, as shown and described.

DESCRIPTION

FIG. 1 is a front/right side perspective view of the vehicle vending building design.

FIG. 2 is a front view of the vehicle vending building design.

FIG. 3 is a rear view of the vehicle vending building design.

FIG. 4 is a right side view of the vehicle vending building design.

FIG. 5 is a left side view of the vehicle vending building design.

FIG. 6 is a top view of the vehicle vending building design.

FIG. 7 is a bottom view of the vehicle vending building design.

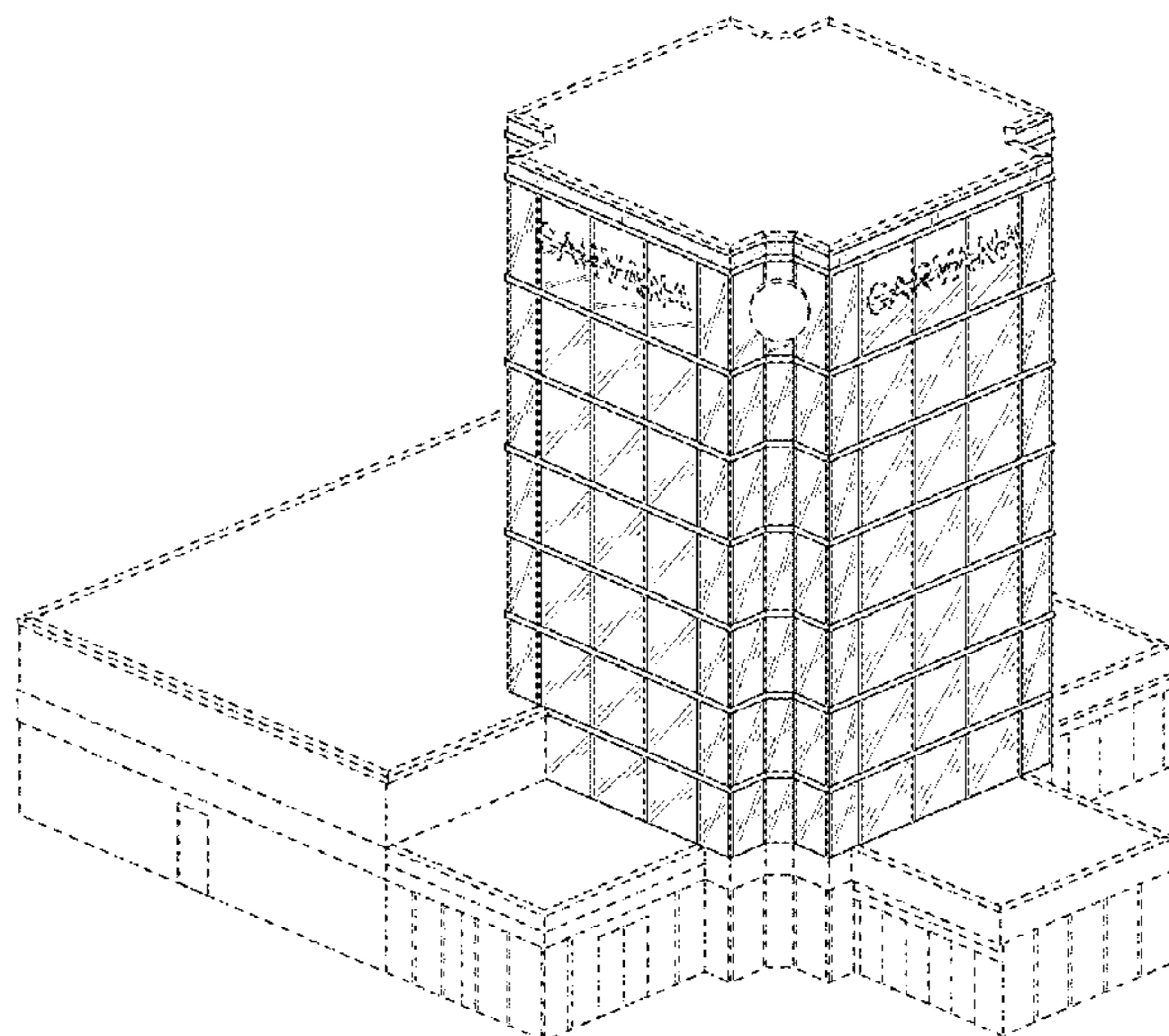
FIG. 8 is a front/left side perspective view of the vehicle vending building design.

FIG. 9 is a rear/left side perspective view of the vehicle vending building design; and,

FIG. 10 is a rear/right side perspective view of the vehicle vending building design.

The broken lines shown in FIGS. 1-10 represent portions of the vehicle vending building that form no part of the claim.

1 Claim, 10 Drawing Sheets



(56)

References Cited

U.S. PATENT DOCUMENTS

D197,642 S * 3/1964 Garrett D25/5
 D202,771 S * 11/1965 Wokas D25/3
 D212,844 S * 12/1968 Mullen D25/4
 3,466,817 A * 9/1969 Hagel E04H 1/04
 52/30
 D216,424 S * 1/1970 Estes D25/5
 3,513,992 A * 5/1970 Handler E04H 6/287
 414/259
 D222,343 S * 10/1971 Mullen D25/4
 D223,485 S * 4/1972 Mullen D25/4
 3,866,363 A * 2/1975 King E04H 9/14
 D25/21
 3,921,354 A * 11/1975 Connelly E04B 1/3412
 D25/31
 4,098,039 A * 7/1978 Sutelan E04H 1/04
 52/236.1
 D249,561 S * 9/1978 Barr D25/21
 D273,228 S * 3/1984 Cotton D25/1
 4,434,595 A * 3/1984 de Brabant E04H 1/04
 52/236.2
 D275,306 S * 8/1984 Edwards D25/5
 D283,166 S 3/1986 Gardner et al.
 D316,903 S 5/1991 Poelvoorde
 D317,047 S 5/1991 Poelvoorde
 5,199,231 A * 4/1993 Dever E04H 1/04
 52/176

5,829,941 A * 11/1998 Zamorano Morfin .. E04H 6/282
 414/261
 D693,942 S 11/2013 Varadiova
 D827,154 S * 8/2018 Lee D25/31
 D833,642 S * 11/2018 Garcia, III D25/6
 D866,000 S * 11/2019 Garcia, III D25/6
 D872,642 S * 1/2020 Heatherwick D25/6
 2004/0237421 A1 12/2004 Franz
 2005/0220594 A1 10/2005 Haag
 2005/0252100 A1* 11/2005 Nord E04H 1/02
 52/79.4
 2011/0213493 A1 9/2011 Stutz
 2013/0144688 A1 6/2013 Jose
 2016/0348384 A1* 12/2016 Zheng E04H 1/06
 2017/0211287 A1 7/2017 Schmitt et al.
 2018/0171653 A1* 6/2018 Birch E04H 1/005

OTHER PUBLICATIONS

One Canada Square, Built 1990, Wikipedia, https://en.wikipedia.org/wiki/One_Canada_Square (Year: 1990).*
 Glass Office Building 3D model, Oct. 2, 2017, cgtrader, <https://www.cgtrader.com/3d-models/exterior/cityscape/glass-office-building> (Year: 2017).*
 Carvana Debuts Country's Newest Car Vending Machine in Charlotte, Mar. 9, 2018, Carvana.com, <https://investors.carvana.com/news-releases/2018/05-09-2018-110016840> (Year: 2018).*

* cited by examiner

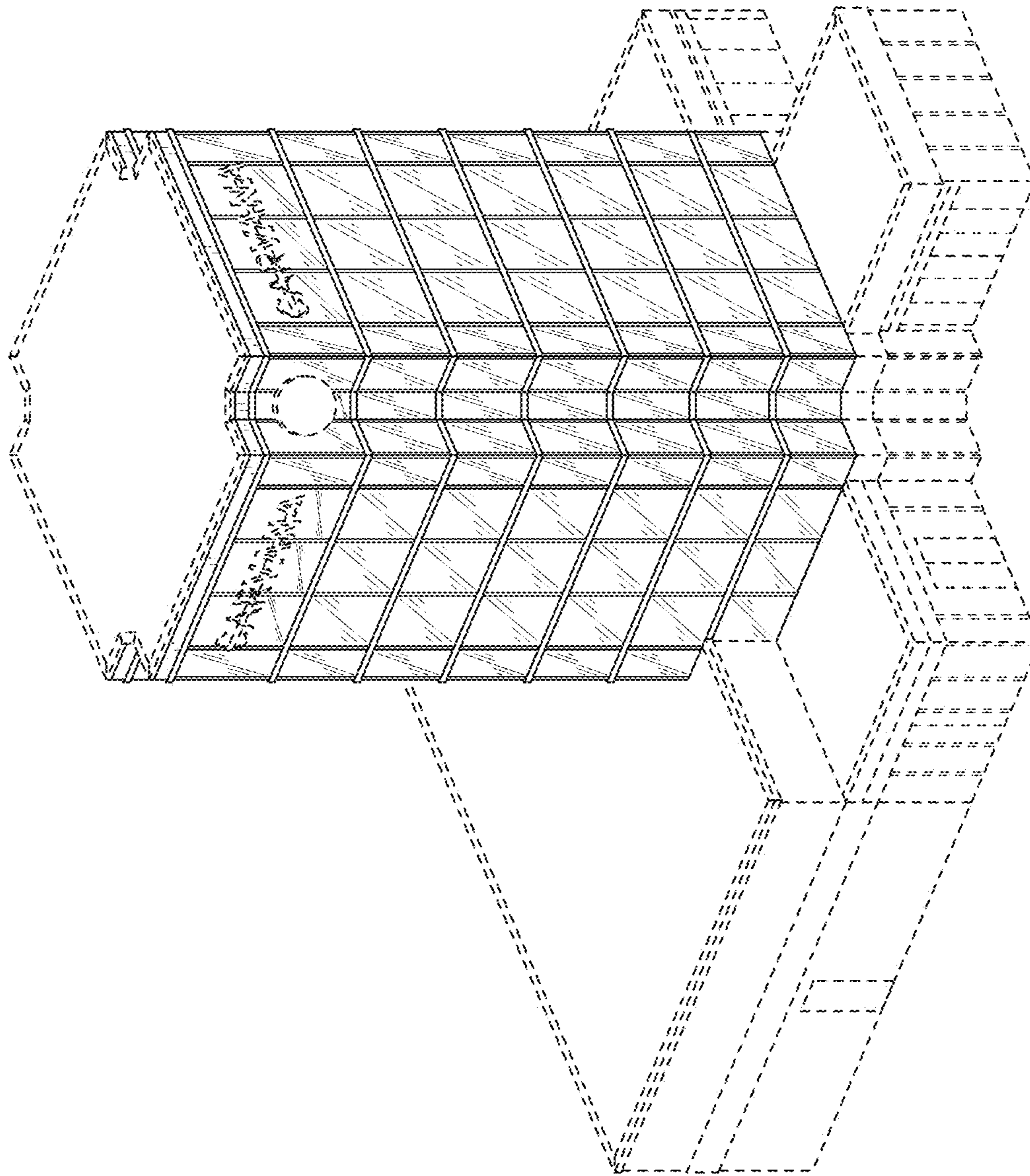


FIG. 1

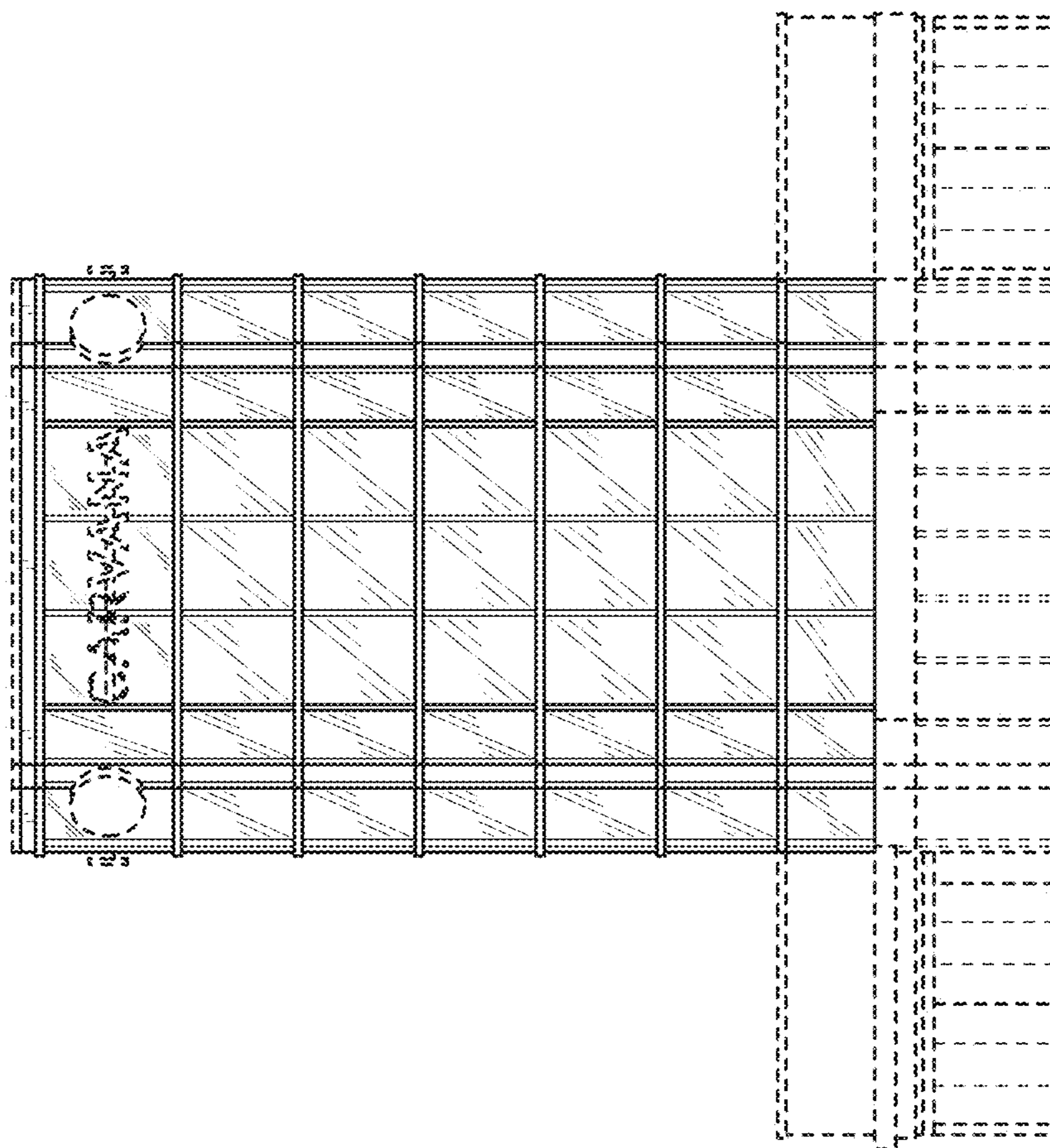


FIG. 2

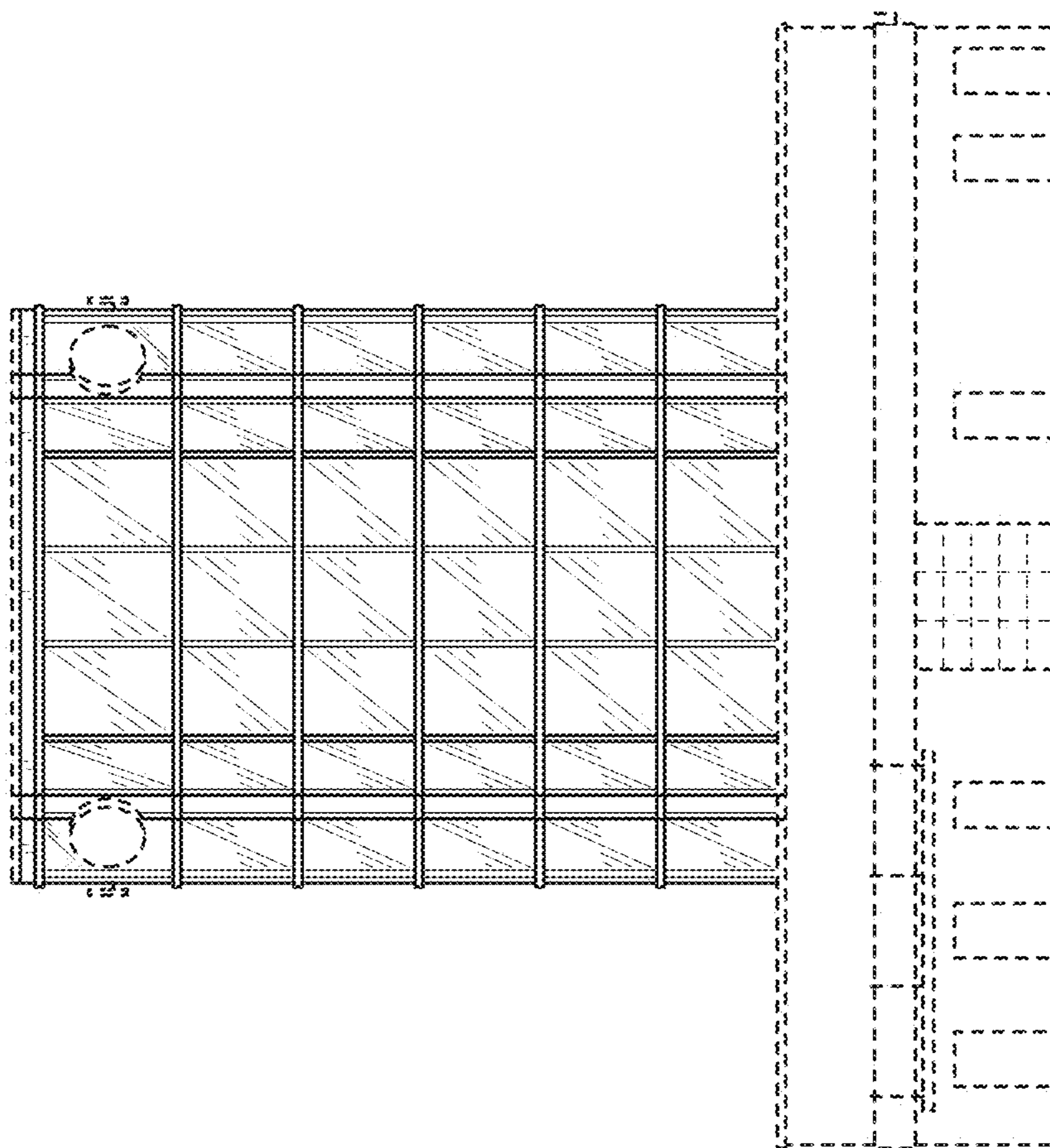


FIG. 3

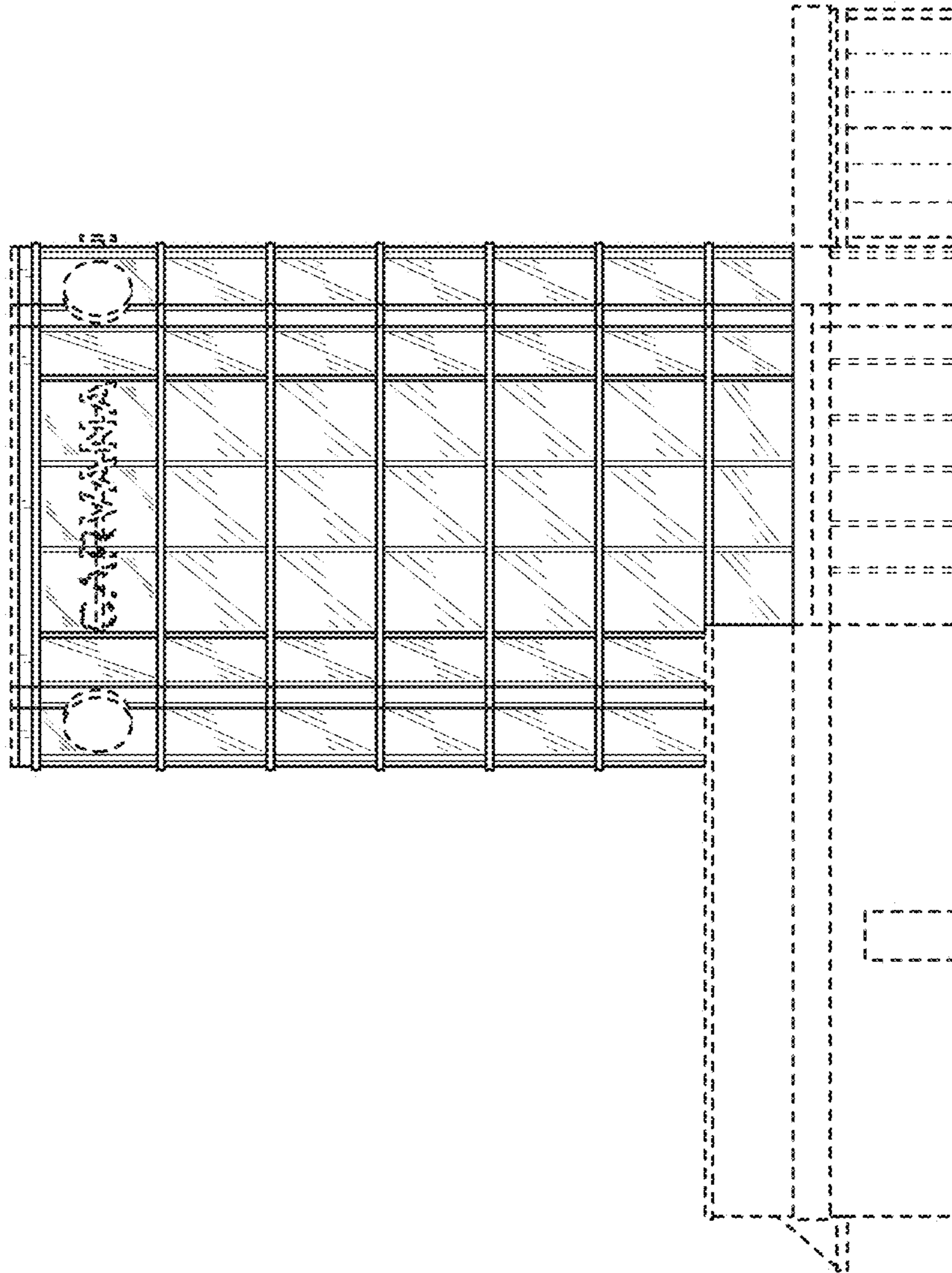


FIG. 4

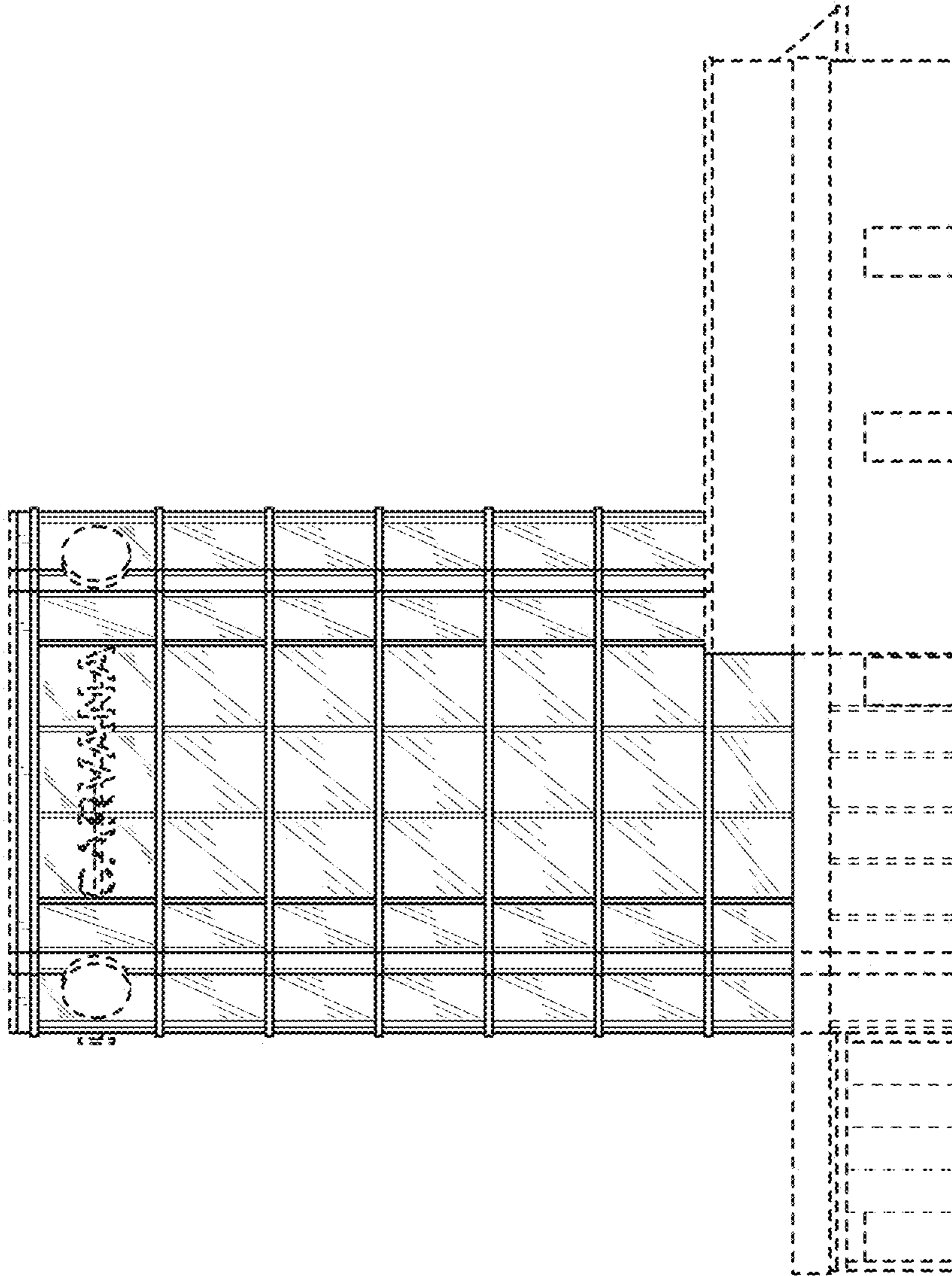


FIG. 5

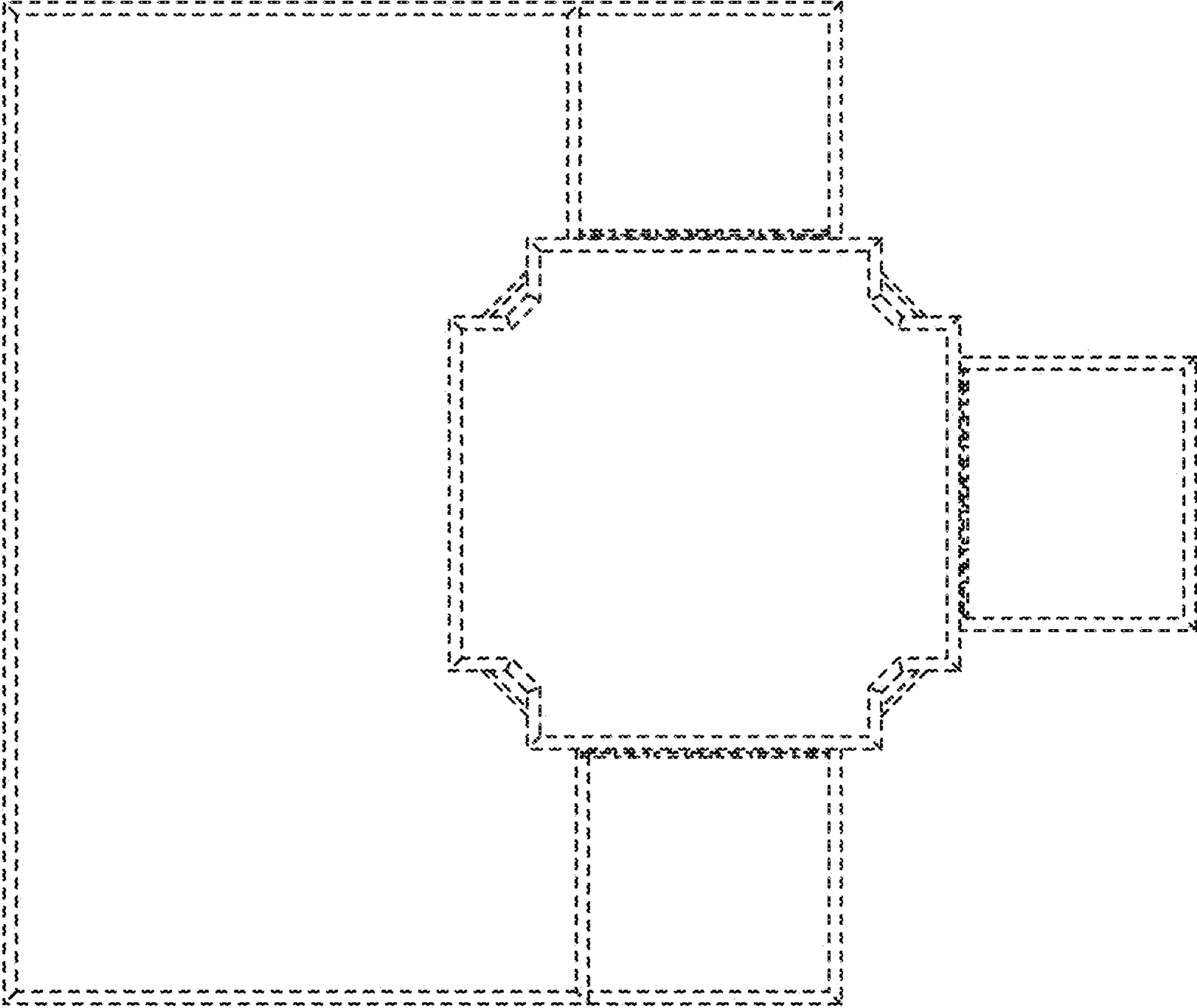


FIG. 6

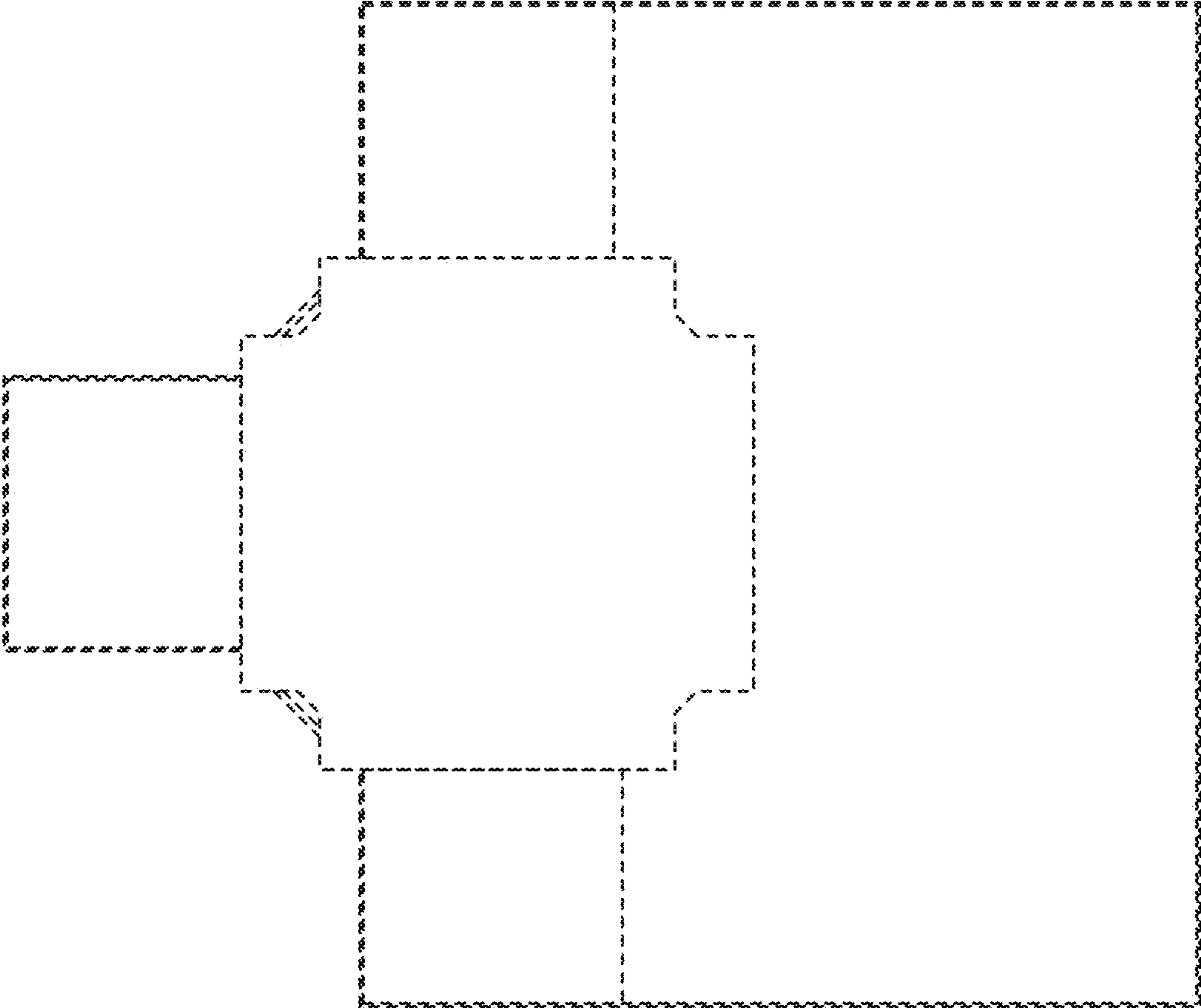


FIG. 7

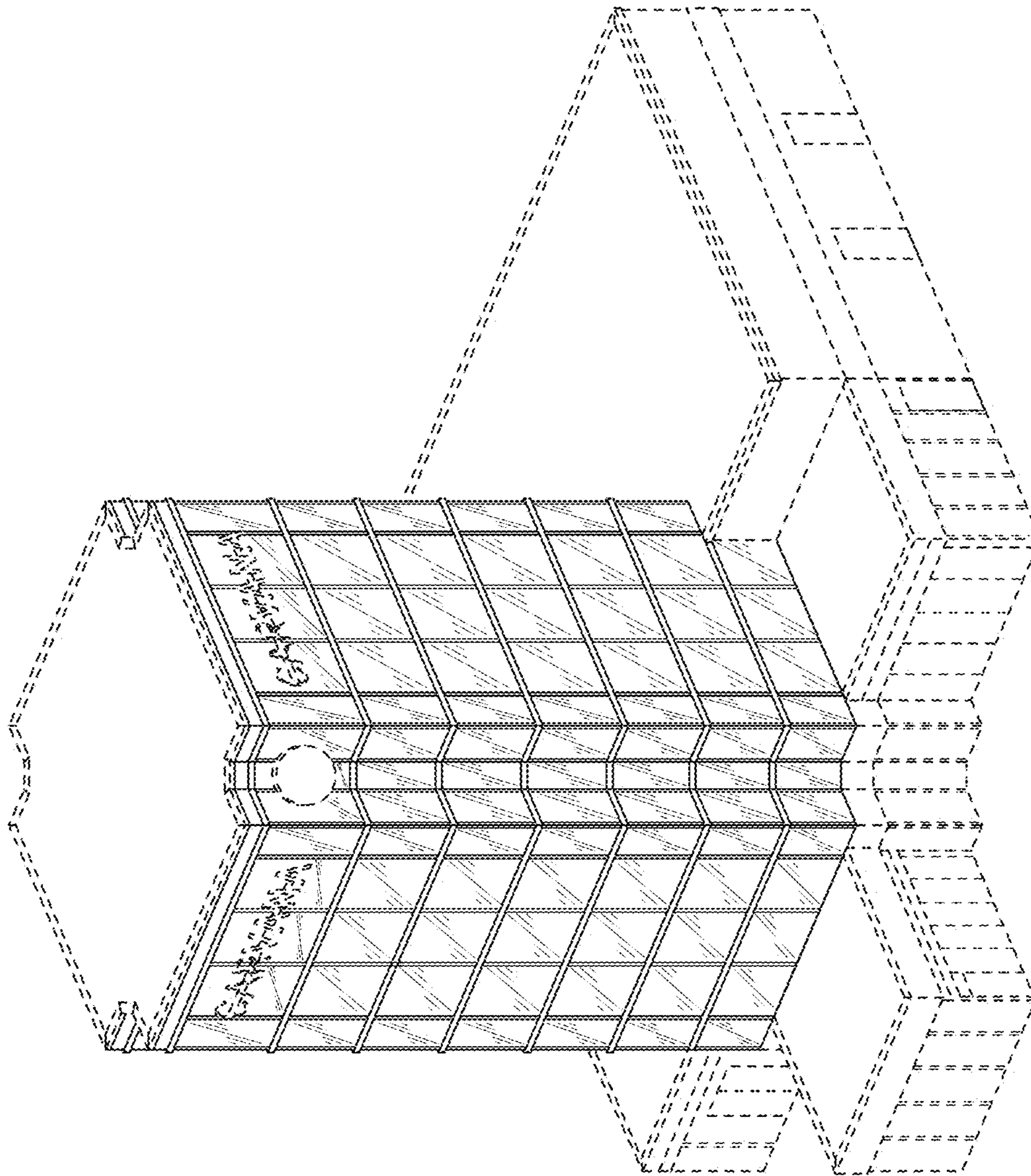


FIG. 8

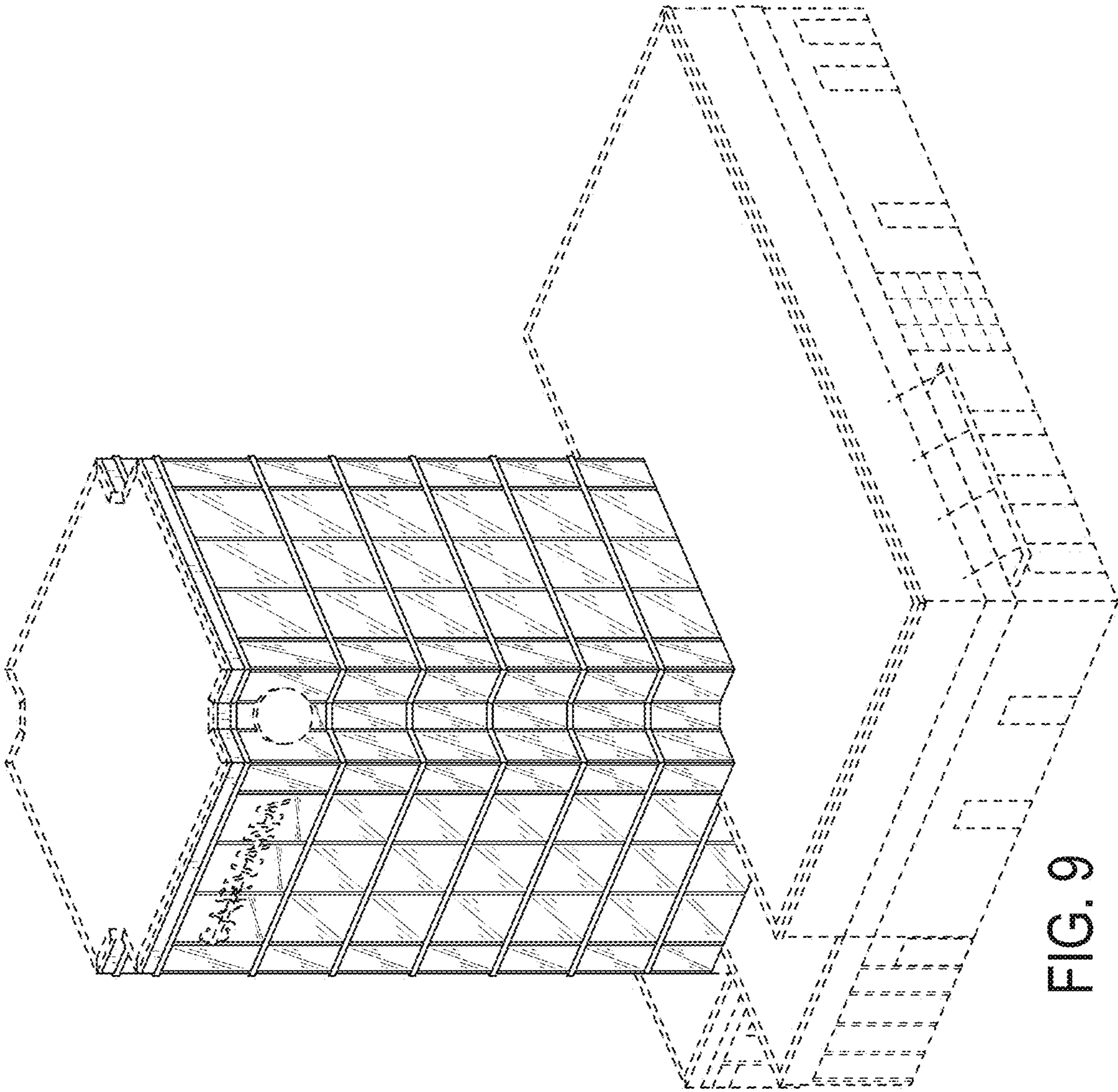


FIG. 9

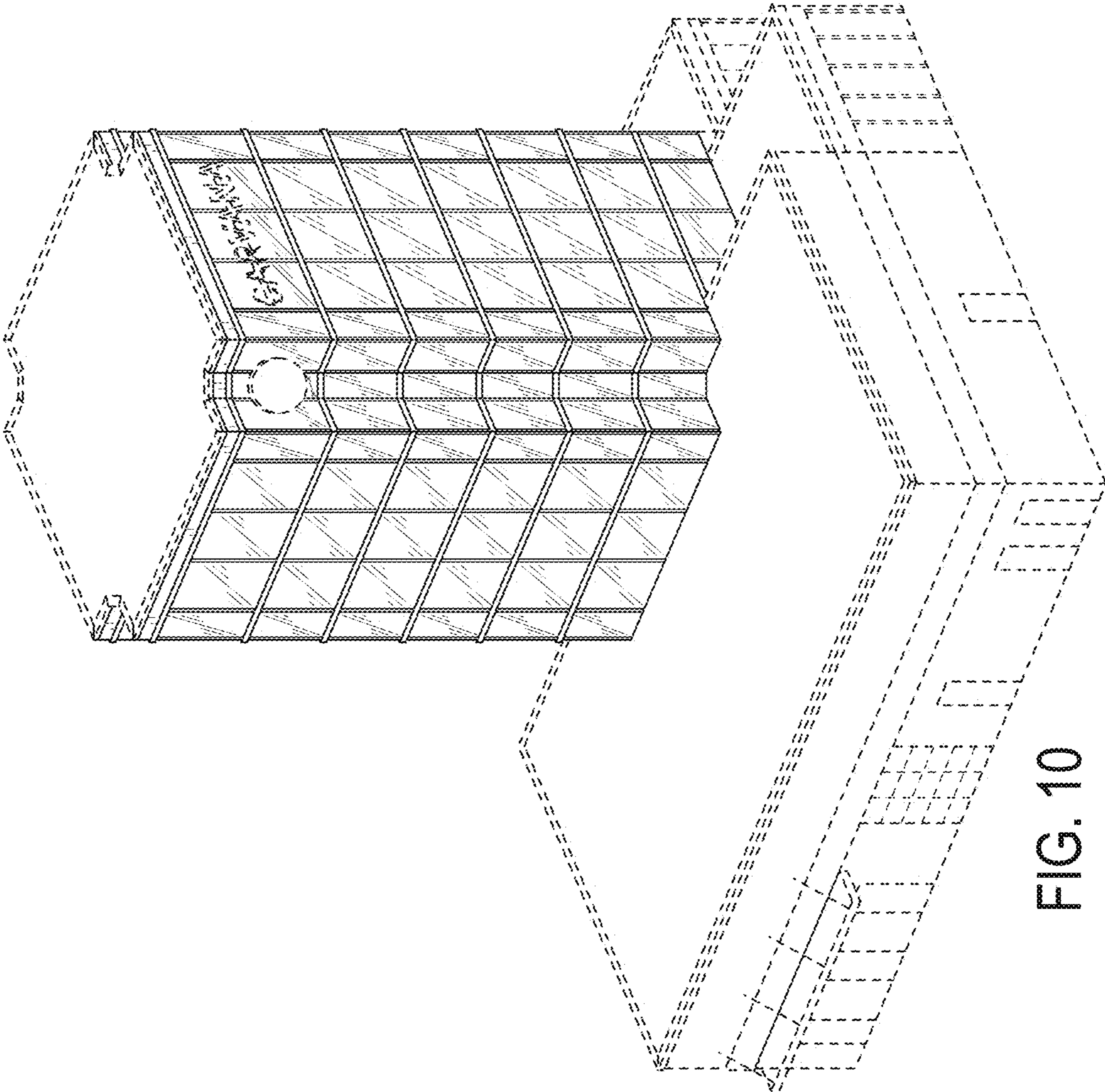


FIG. 10