



US00D948746S

(12) **United States Design Patent**  
**Aritome et al.**

(10) **Patent No.:** **US D948,746 S**  
(45) **Date of Patent:** **\*\* Apr. 12, 2022**

(54) **CAPILLARY CARTRIDGE FOR ELECTROPHORESIS**

D852,979 S \* 7/2019 Liu ..... D24/233  
11,125,720 B2 \* 9/2021 Nakazawa ..... G01N 27/44704  
2010/0147692 A1 \* 6/2010 Liu ..... G01N 27/44782  
204/603  
2017/0176385 A1 \* 6/2017 Walton ..... G01N 27/44791  
(Continued)

(71) Applicants: **Hitachi High-Tech Corporation**,  
Tokyo (JP); **Life Technologies Corporation**,  
Carlsbad, CA (US)

(72) Inventors: **Katsuhiro Aritome**, Tokyo (JP);  
**Takeshi Ooura**, Tokyo (JP); **Asami Terakado**,  
Tokyo (JP); **Sandro David Klein**, Irvine, CA (US)

(73) Assignees: **Hitachi High-Tech Corporation**,  
Tokyo (JP); **Life Technologies Corporation**,  
Carlsbad, CA (US)

(\*\*) Term: **15 Years**

(21) Appl. No.: **29/749,440**

(22) Filed: **Sep. 4, 2020**

(30) **Foreign Application Priority Data**

Mar. 4, 2020 (JP) ..... 2020-004284 D

(51) **LOC (13) Cl.** ..... **24-01**

(52) **U.S. Cl.**  
USPC ..... **D24/233**

(58) **Field of Classification Search**  
USPC ..... D24/216, 219, 223–227, 231, 232, 233,  
D24/234, 121; D10/81  
CPC ..... G01N 27/447; G01N 27/44704; G01N  
27/44743; G01N 27/44756; G01N  
27/44769; G01N 27/44791; Y01T  
436/2575

See application file for complete search history.

(56) **References Cited**

**U.S. PATENT DOCUMENTS**

D679,832 S 4/2013 Oonuma et al.  
D767,782 S \* 9/2016 Cao ..... D24/216  
D851,779 S \* 6/2019 Bulloch ..... D24/233

**FOREIGN PATENT DOCUMENTS**

JP 1375692 S 12/2009

**OTHER PUBLICATIONS**

U.S. Appl. No. 29/749,443, filed Sep. 4, 2020.  
(Continued)

*Primary Examiner* — Anhdao Doan

(74) *Attorney, Agent, or Firm* — Crowell & Moring LLP

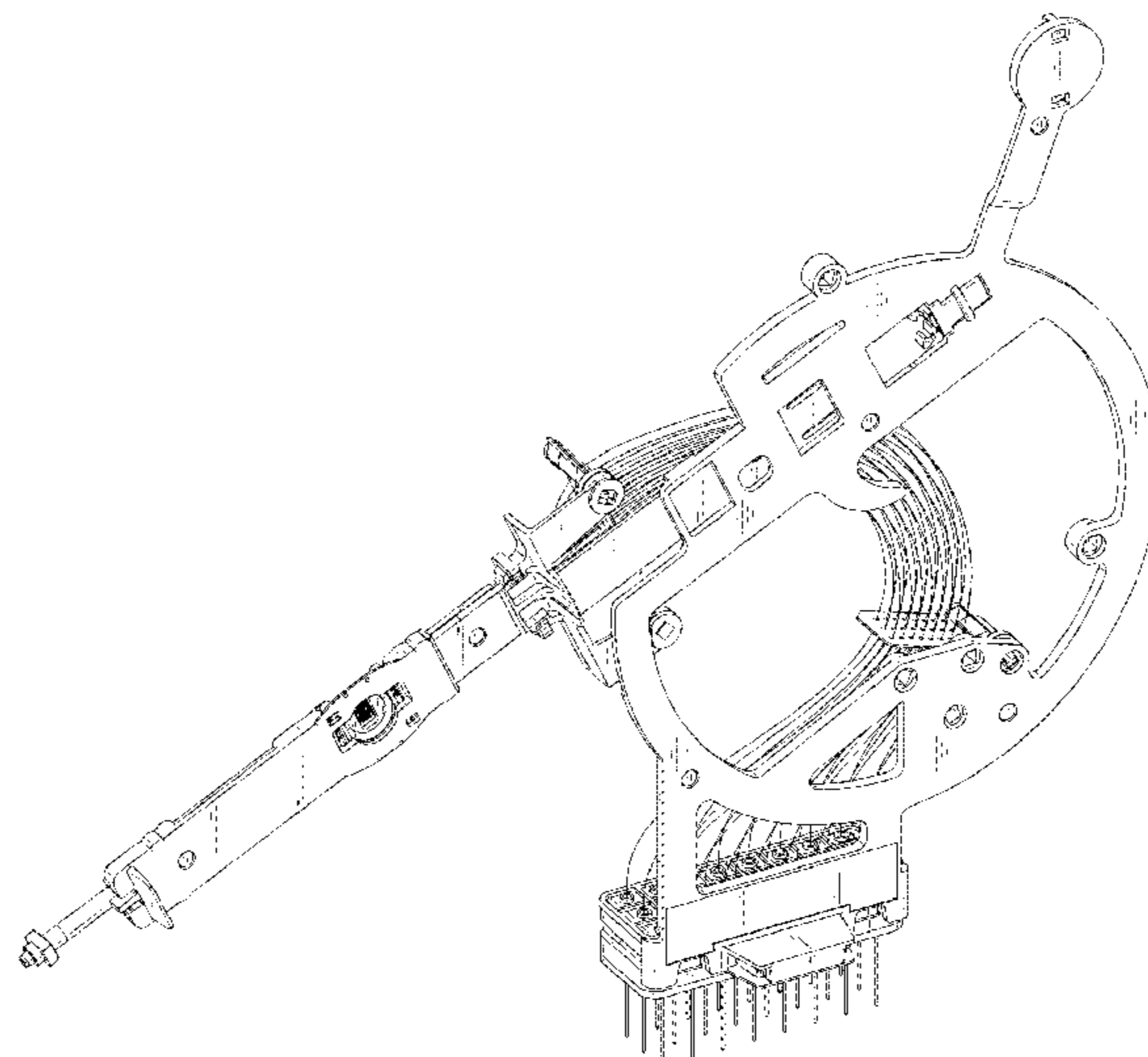
(57) **CLAIM**

The ornamental design for a capillary cartridge for electrophoresis, as shown and described.

**DESCRIPTION**

FIG. 1 is a front, top, and left side perspective view of a capillary cartridge for electrophoresis according to the design;  
FIG. 2 is a rear, bottom, and right side perspective view thereof;  
FIG. 3 is a front view thereof;  
FIG. 4 is a rear view thereof;  
FIG. 5 is a left side view thereof;  
FIG. 6 is a right side view thereof;  
FIG. 7 is a top plan view thereof;  
FIG. 8 is a bottom plan view thereof; and,  
FIG. 9 is a cross-sectional view taken along line 9-9 of FIG. 3.  
In FIG. 9, the broken lines depict portions of the capillary cartridge for electrophoresis that form no part of the claimed design.

**1 Claim, 7 Drawing Sheets**



(56)

**References Cited**

U.S. PATENT DOCUMENTS

2020/0232943 A1\* 7/2020 Lim ..... G01N 27/44717

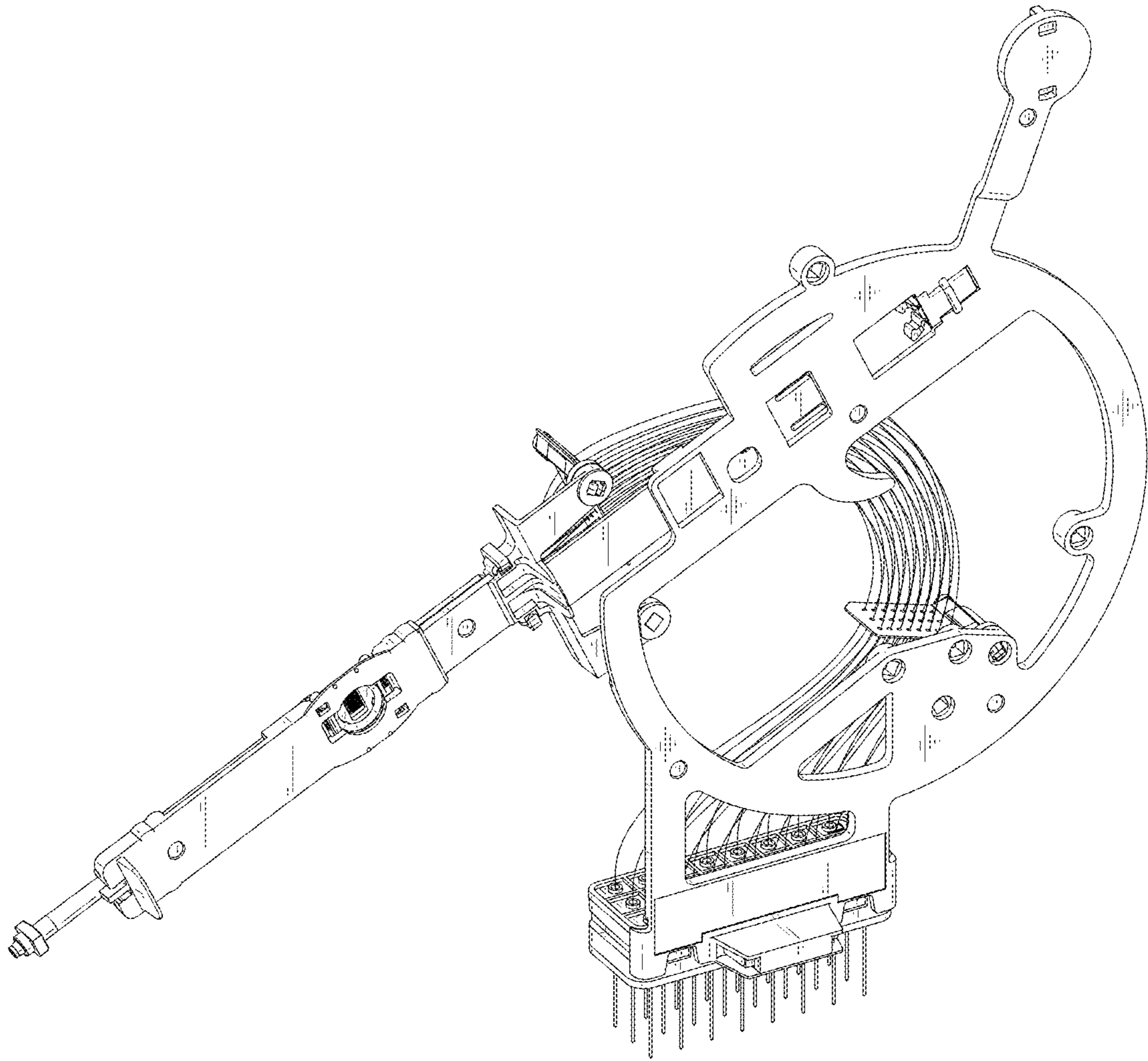
OTHER PUBLICATIONS

U.S. Appl. No. 29/749,423, filed Sep. 4, 2020.

United States Notice of Allowance issued in U.S. Appl. No. 29/749,423, dated Nov. 26, 2021 (10 pages).

United States Office Action issued in U.S. Appl. No. 29/749,443, dated Nov. 22, 2021 (11 pages).

\* cited by examiner



**FIG. 1**



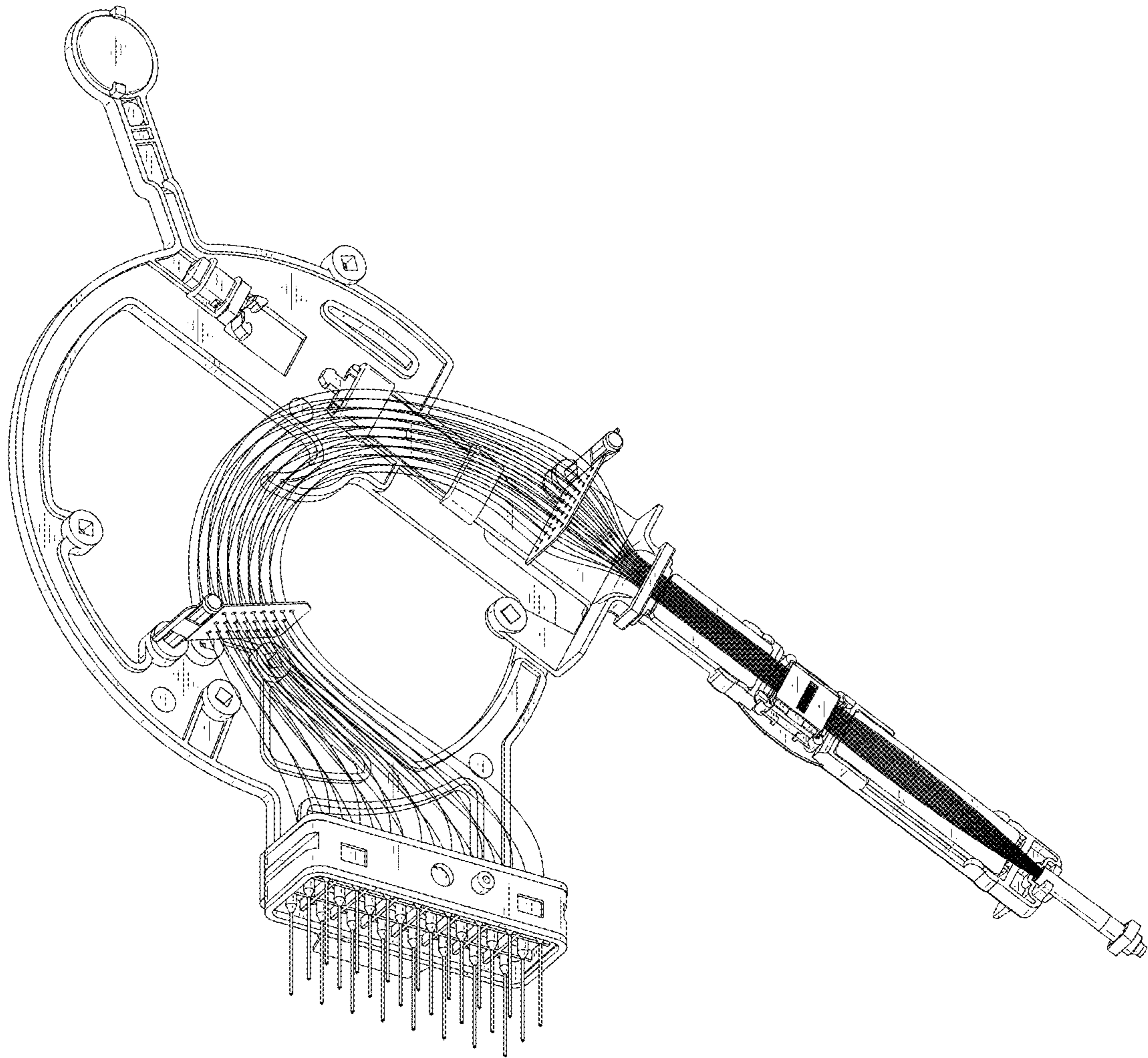


FIG. 2

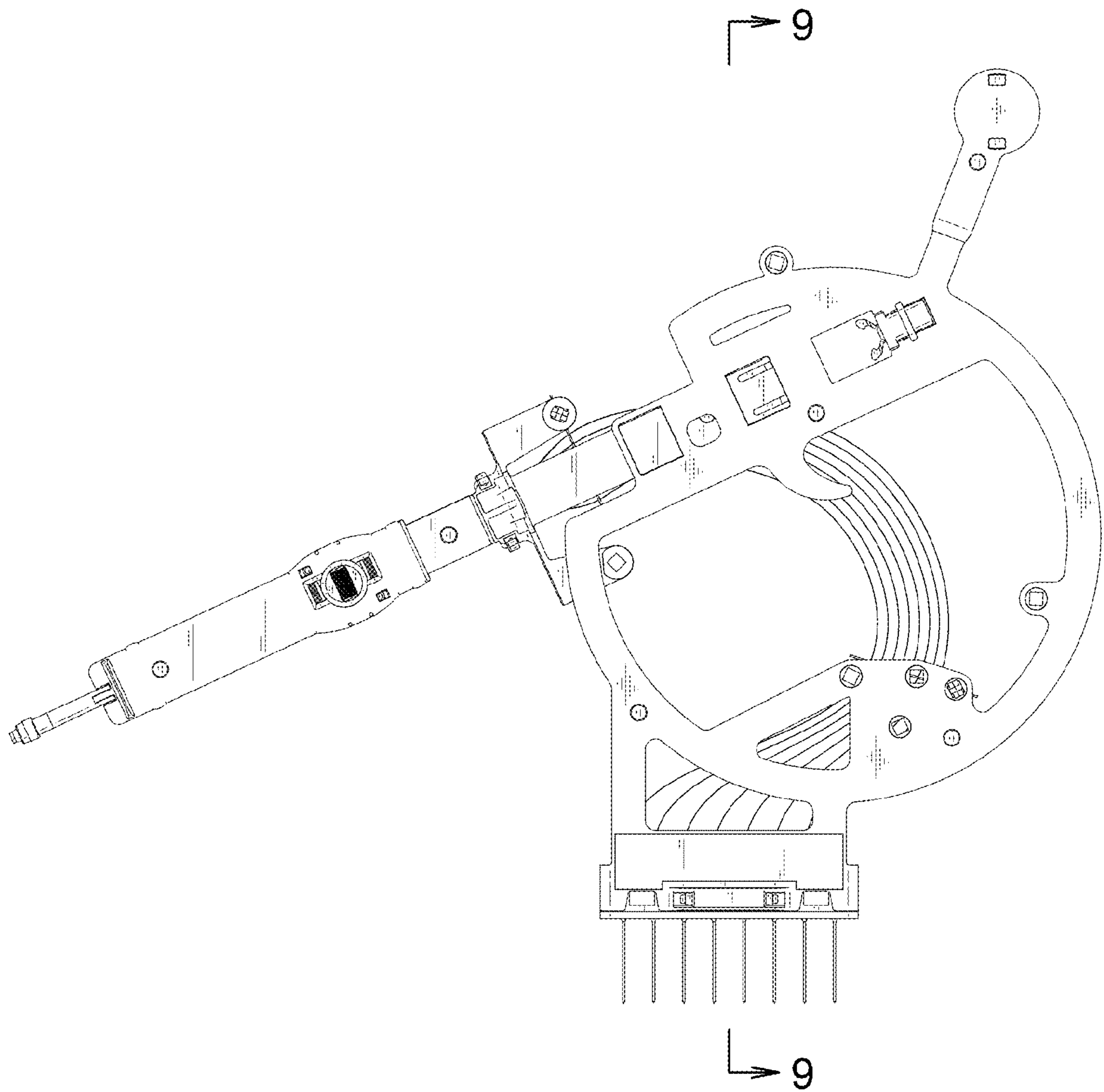


FIG. 3

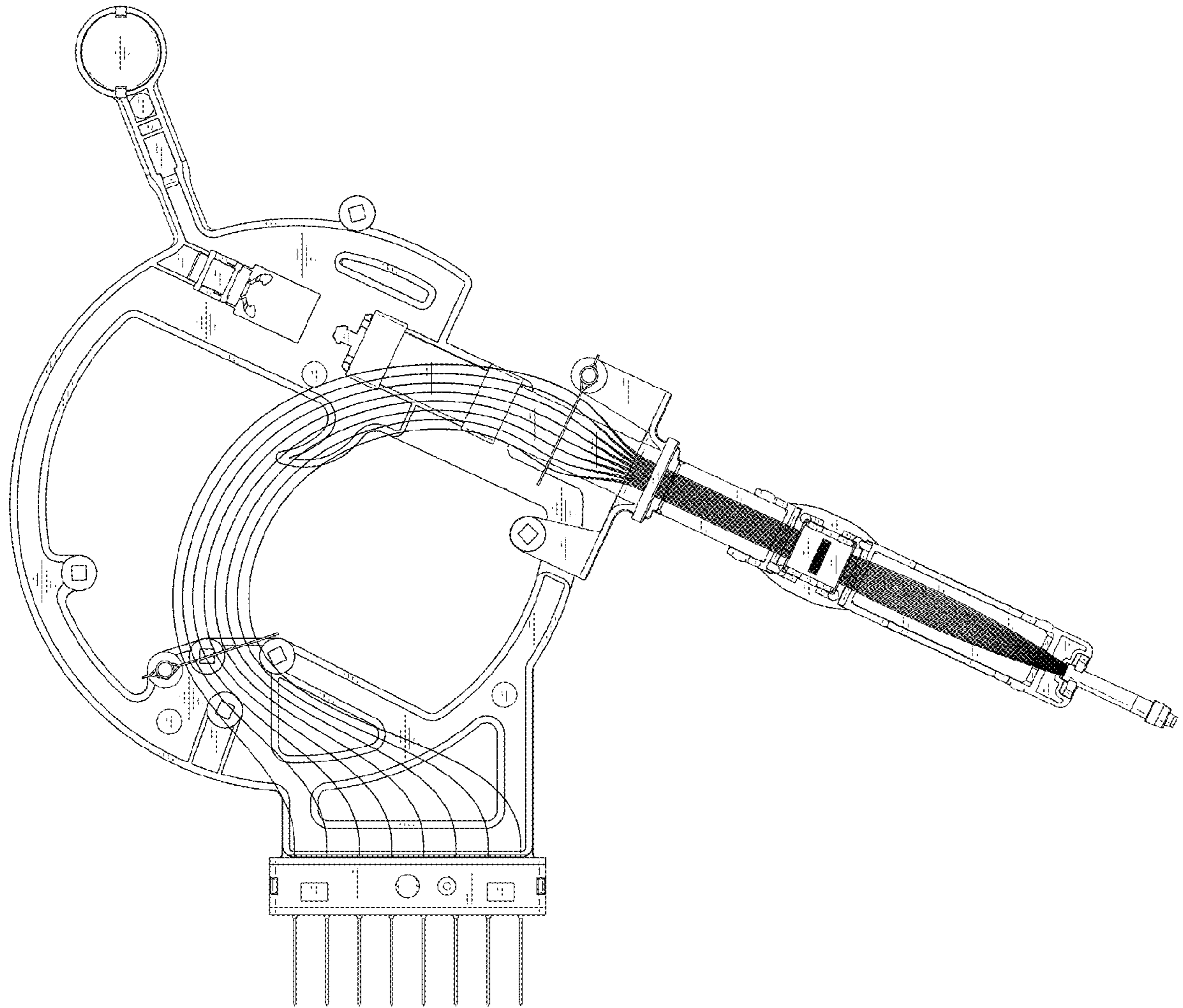
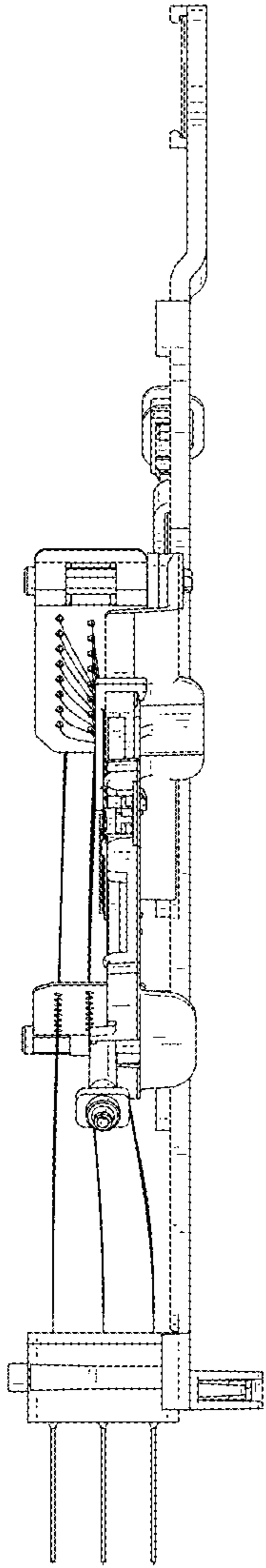
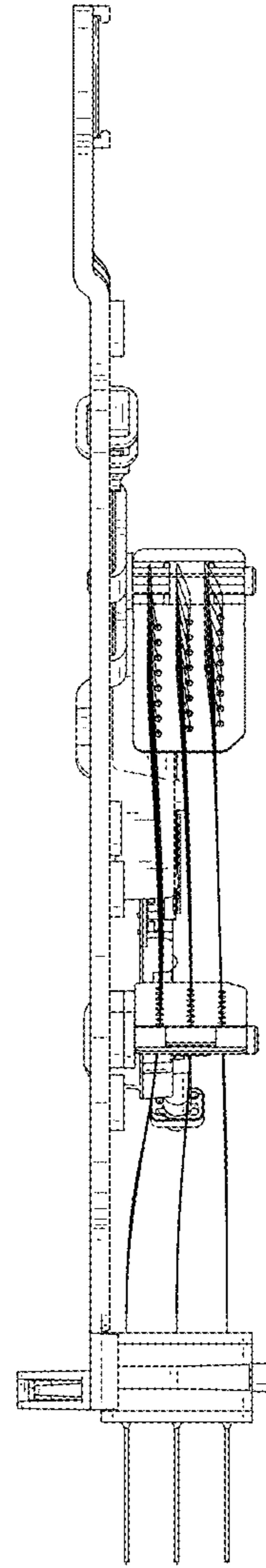


FIG. 4



*FIG. 5*



*FIG. 6*



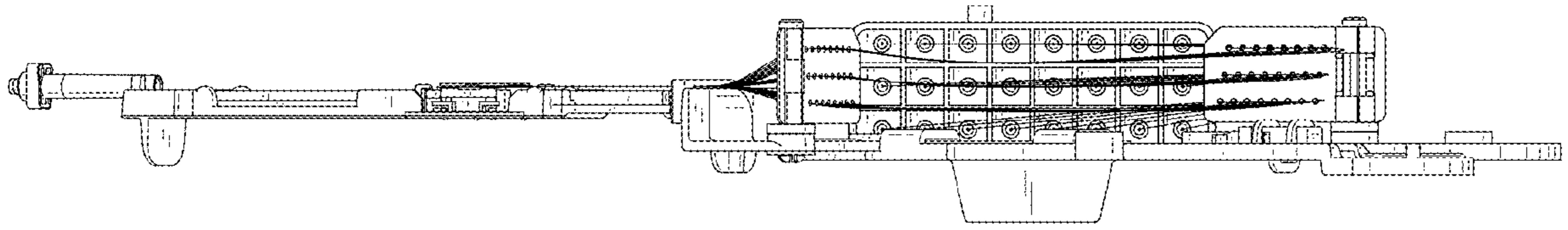


FIG. 7

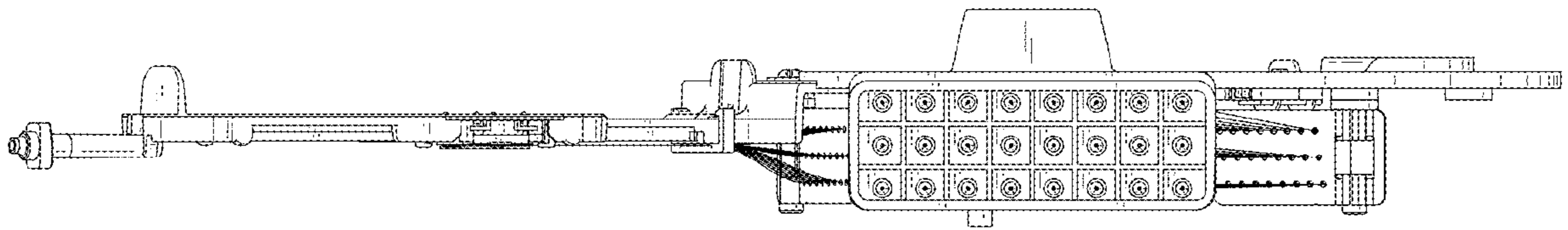
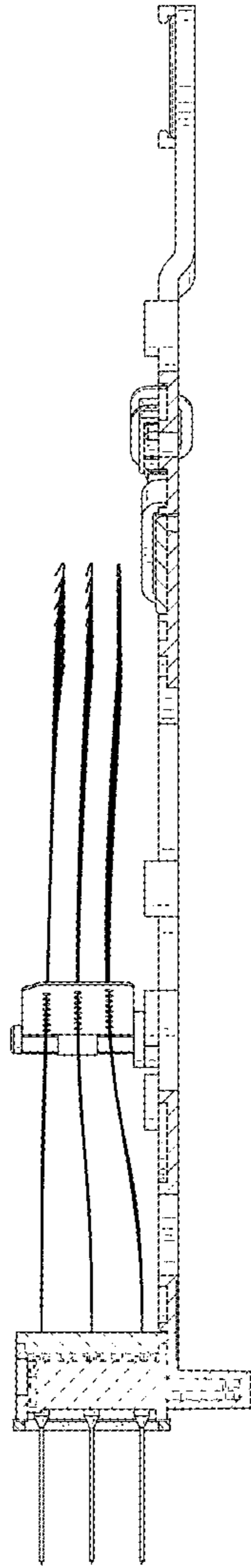


FIG. 8





*FIG. 9*