



US00D948745S

(12) **United States Design Patent**  
**Gross et al.**

(10) **Patent No.:** **US D948,745 S**  
(45) **Date of Patent:** **\*\* Apr. 12, 2022**

- (54) **PACKAGE FOR A MEDICAL DEVICE**
- (71) Applicant: **BioGenware, LLC**, Columbia, SC (US)
- (72) Inventors: **Jeffrey G. Gross**, Columbia, SC (US);  
**John Lowsky, Jr.**, Columbia, SC (US);  
**Joel Gross**, Columbia, SC (US)
- (73) Assignee: **BioGenware, LLC**, Columbia, SC (US)
- (\*\*) Term: **15 Years**
- (21) Appl. No.: **29/760,195**
- (22) Filed: **Nov. 30, 2020**
- (51) **LOC (13) Cl.** ..... **24-02**
- (52) **U.S. Cl.**  
USPC ..... **D24/229**; D9/414; D9/456
- (58) **Field of Classification Search**  
USPC ..... D24/121, 123, 147, 216–227, 229;  
D9/414, 424, 425, 428, 456, 715, 737,  
D9/756; D7/601, 602, 637, 638, 641;  
D3/201, 202  
CPC ..... B65D 2543/00509; B65D 2543/00357;  
B65D 2543/00648; B65D 2543/00416;  
A61M 25/002; A61B 50/30  
See application file for complete search history.

- D531,320 S \* 10/2006 Garland ..... D24/216
- 8,066,635 B2 11/2011 Beck
- D666,305 S \* 8/2012 Benarieh ..... D24/232
- D674,687 S \* 1/2013 Cote ..... D9/414
- 8,936,550 B2 1/2015 Urano et al.
- D751,726 S \* 3/2016 Nishioka ..... D24/229
- D771,804 S \* 11/2016 York ..... D24/123
- 9,668,916 B2 6/2017 Thompson
- D806,574 S \* 1/2018 Ozenne ..... D9/737
- D811,213 S \* 2/2018 Pickard ..... D9/425
- 10,130,351 B2 11/2018 Shugarman
- D895,145 S \* 9/2020 Smith ..... D24/229
- D913,045 S \* 3/2021 Samartgis ..... D7/602
- D915,149 S \* 4/2021 Armistead ..... D7/602
- D915,582 S \* 4/2021 Jiang ..... D24/123

(Continued)

**FOREIGN PATENT DOCUMENTS**

- CA 140154 \* 12/2011
- CN 101167672 A 4/2008

(Continued)

*Primary Examiner* — Susan Bennett Hattan  
*Assistant Examiner* — Omeed Agilee  
(74) *Attorney, Agent, or Firm* — Dority & Manning, P.A.

(57) **CLAIM**

The ornamental design for a package for a medical device, as shown and described.

(56) **References Cited**

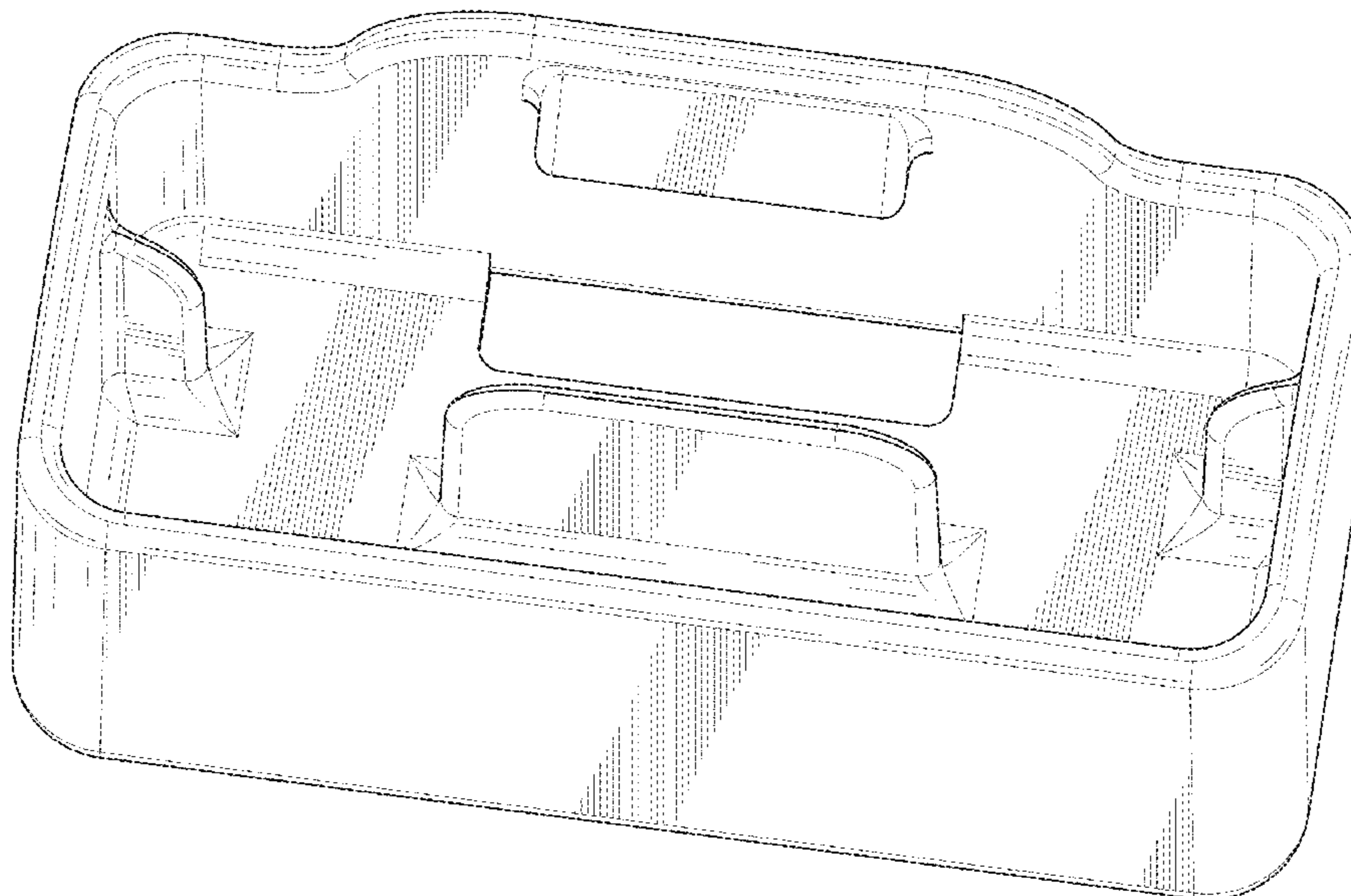
**U.S. PATENT DOCUMENTS**

- 3,409,349 A 11/1968 Boyle et al.
- 5,171,254 A 12/1992 Sher
- 5,374,272 A 12/1994 Arpa et al.
- 5,433,190 A 7/1995 Sunalp
- 5,938,674 A 8/1999 Terry
- 6,022,365 A 2/2000 Aufaure et al.
- 6,083,155 A 7/2000 Trese
- 6,267,752 B1 7/2001 Svetliza
- 6,440,065 B1 8/2002 Hered
- D489,130 S 4/2004 Sinding
- D498,531 S 11/2004 Sinding

**DESCRIPTION**

FIG. 1 is a top perspective view of a package for a medical device showing our new design;  
FIG. 2 is a front perspective view thereof;  
FIG. 3 is a top view thereof;  
FIG. 4 is a bottom view thereof;  
FIG. 5 is a front view thereof;  
FIG. 6 is a rear view thereof;  
FIG. 7 is a left side view thereof; and,  
FIG. 8 is a right side view thereof.

**1 Claim, 7 Drawing Sheets**



(56)

**References Cited**

U.S. PATENT DOCUMENTS

D919,425 S \* 5/2021 Harvey ..... D9/425  
D928,565 S \* 8/2021 Glupker ..... D7/602  
D935,884 S \* 11/2021 Stanek ..... D9/456  
2009/0227846 A1 9/2009 Beck  
2012/0071726 A1 3/2012 Beck  
2016/0030239 A1 2/2016 Akura et al.  
2018/0036092 A1\* 2/2018 Knowlton ..... A61B 50/33  
2020/0405560 A1\* 12/2020 Cross ..... A61G 9/02

FOREIGN PATENT DOCUMENTS

CN 101695460 A 4/2010  
CN 206597081 U 10/2017  
CN 108143540 A 6/2018  
DE 9320127 U1 4/1994  
FR 2827497 A1 1/2003  
GB 114051 A 3/1918  
GB 2 382 779 B 6/2006  
GB 2507285 B 11/2016  
KR 101198016 B1 11/2012  
TW 200735852 A 10/2007  
WO WO 2011/077115 A1 6/2011  
WO WO 2017/027763 A1 2/2017  
WO WO 2018198686 A1 11/2018

\* cited by examiner

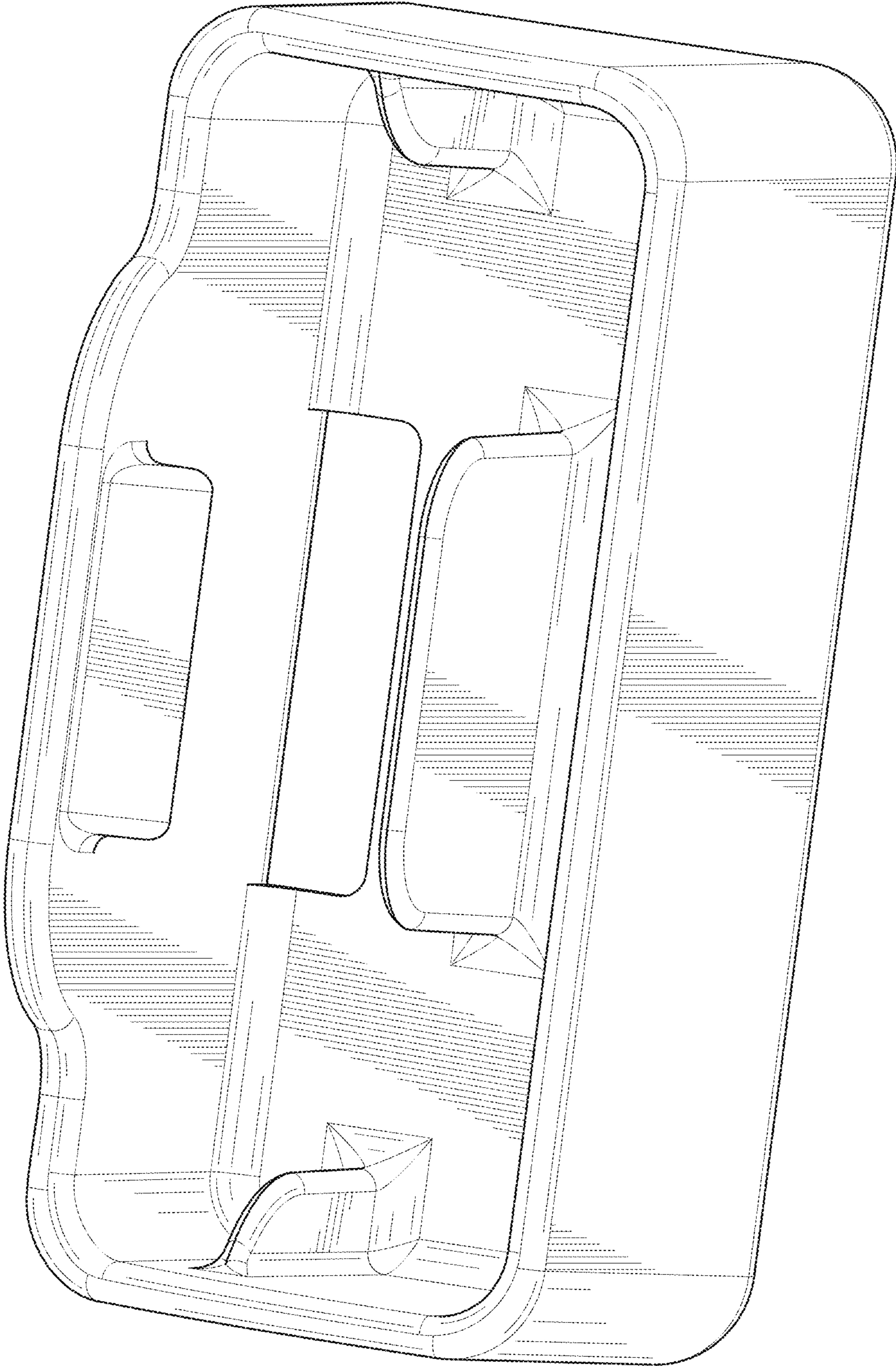


FIG. 1

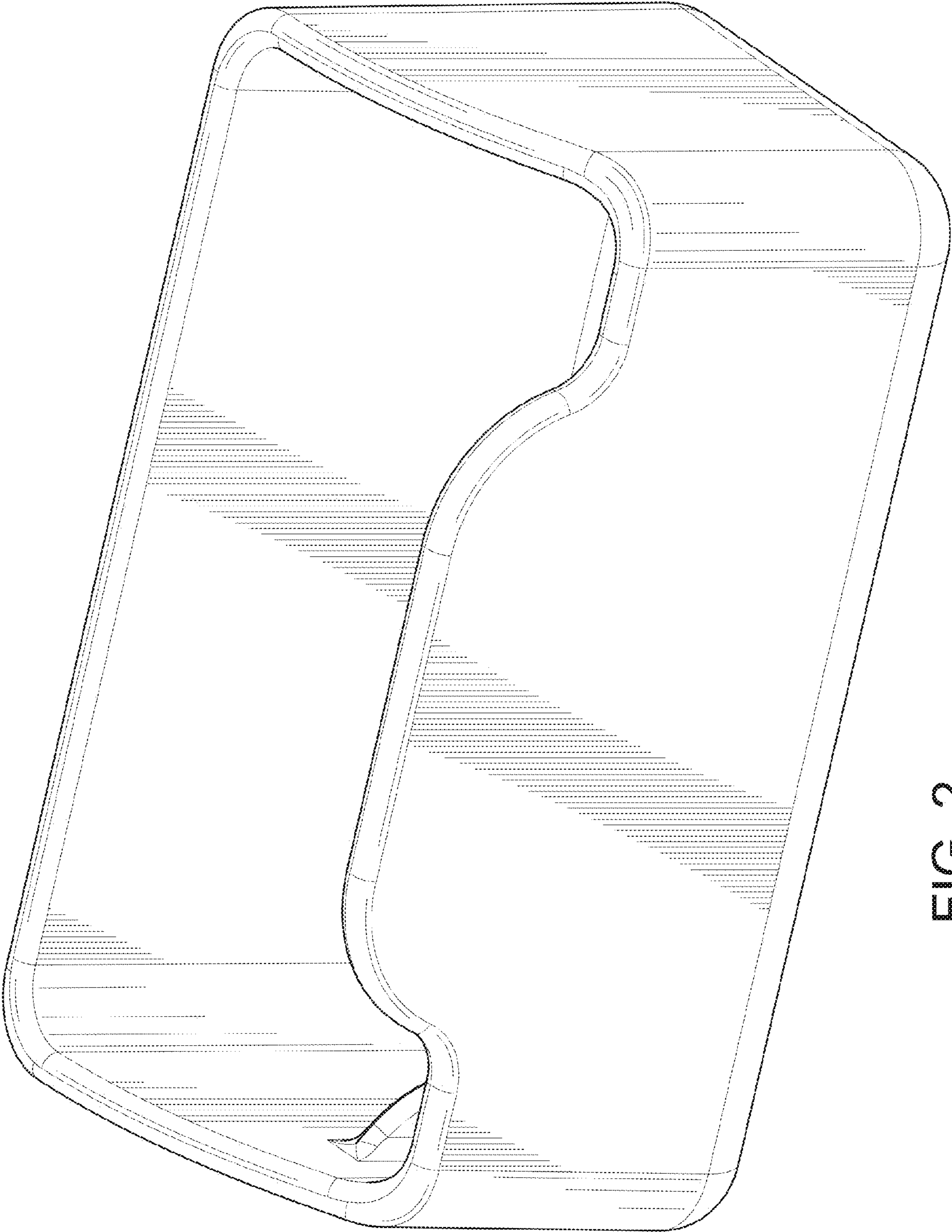


FIG. 2

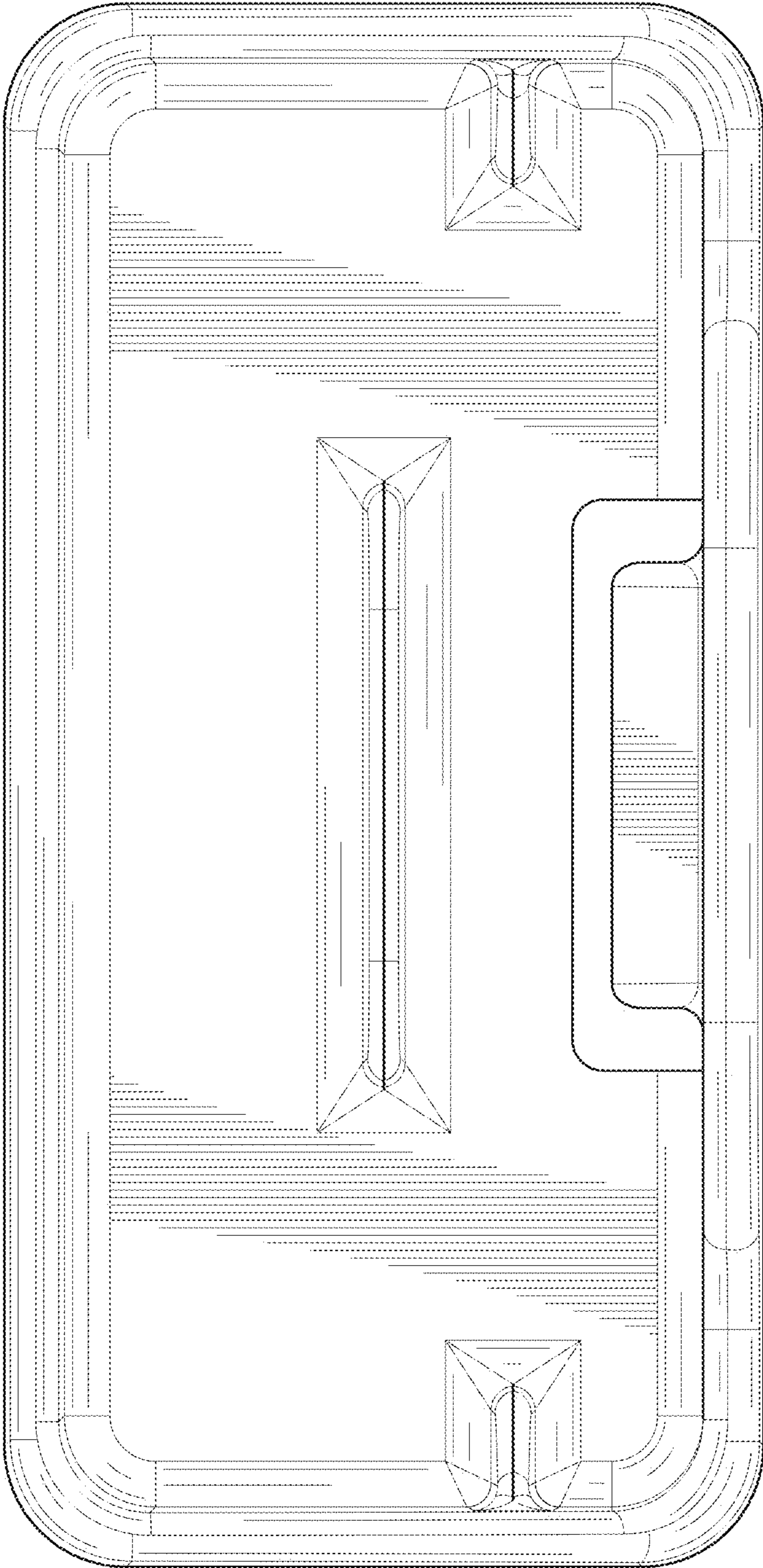


FIG. 3

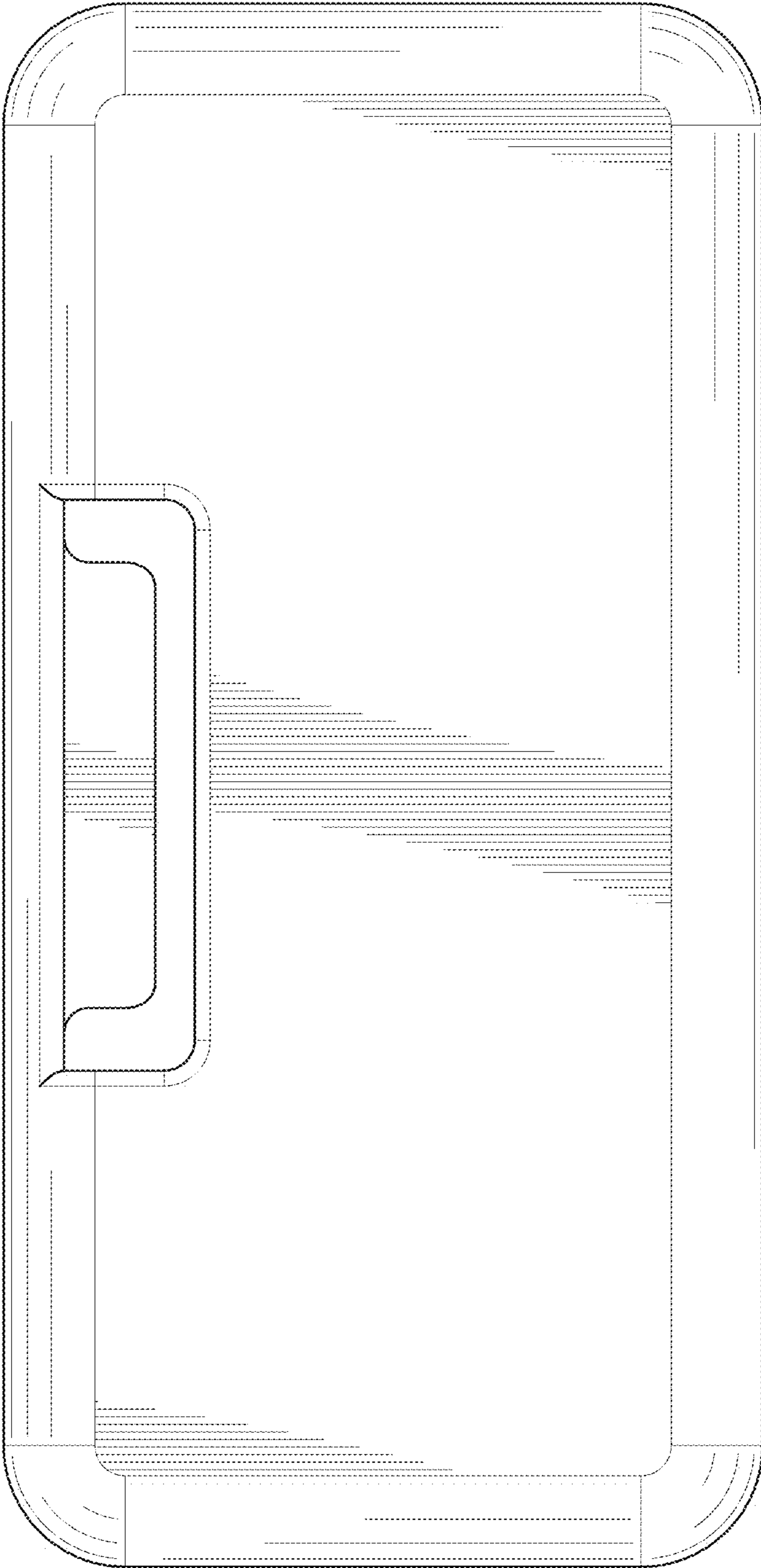


FIG. 4

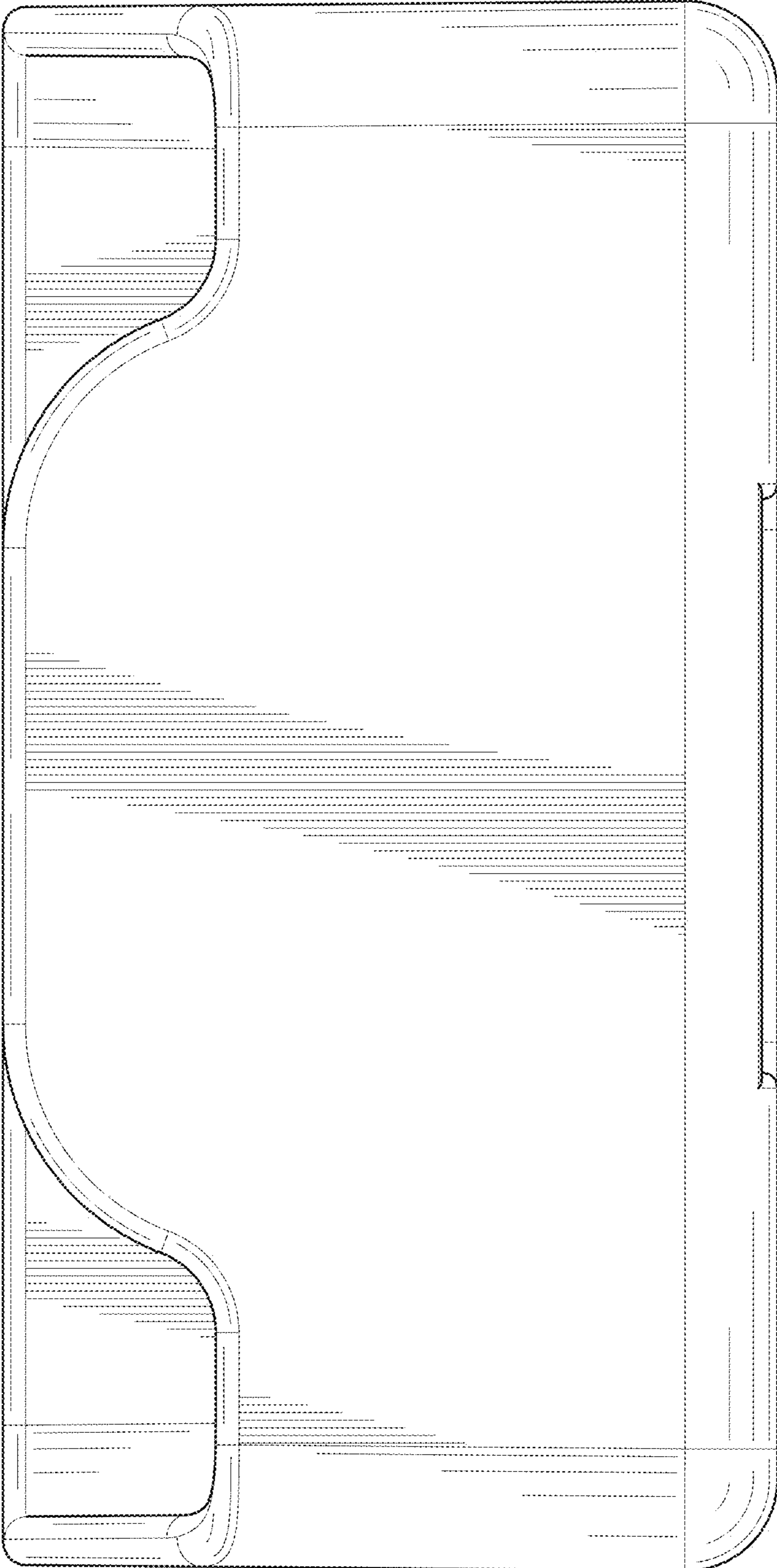


FIG. 5

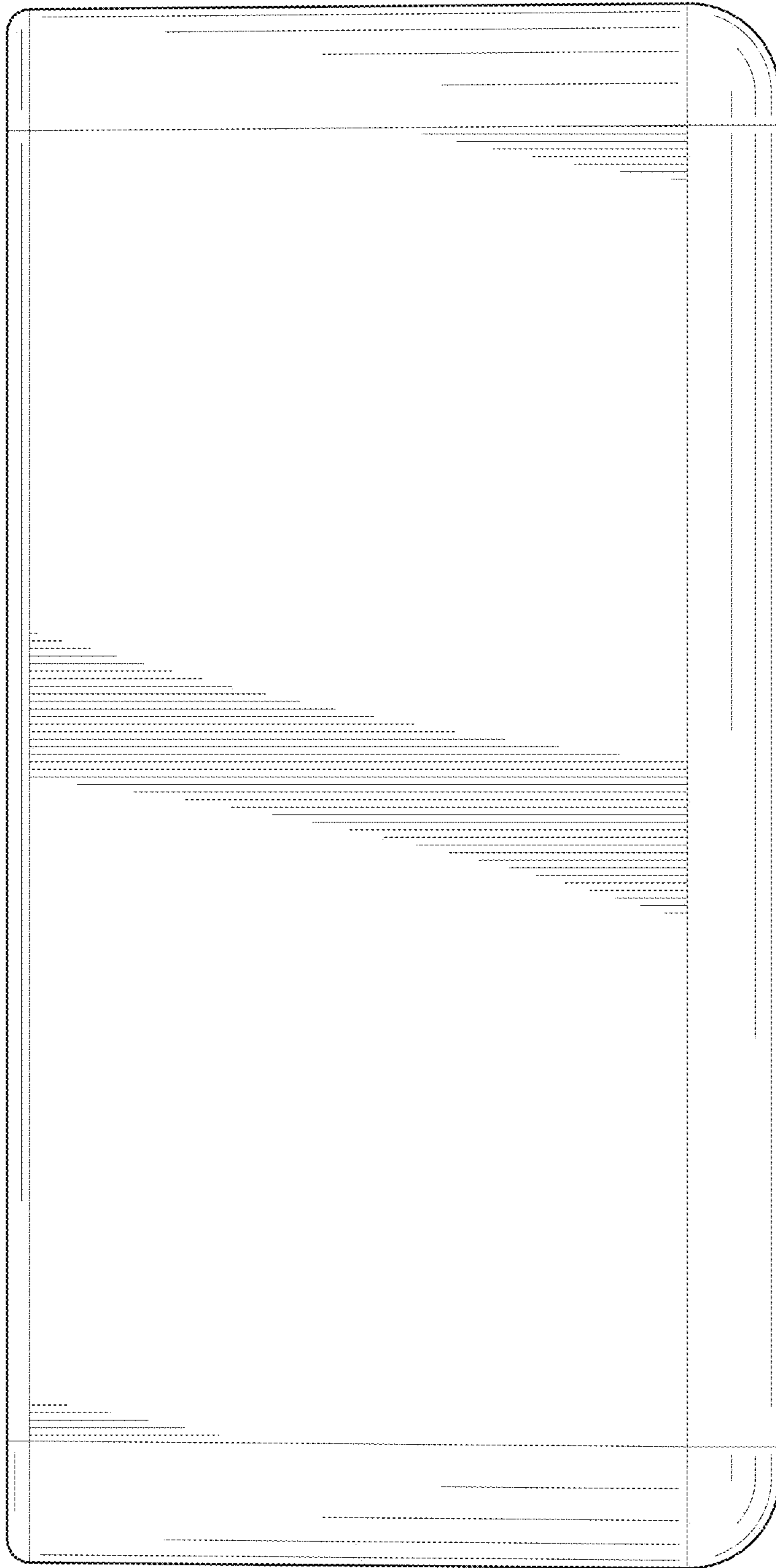


FIG. 6



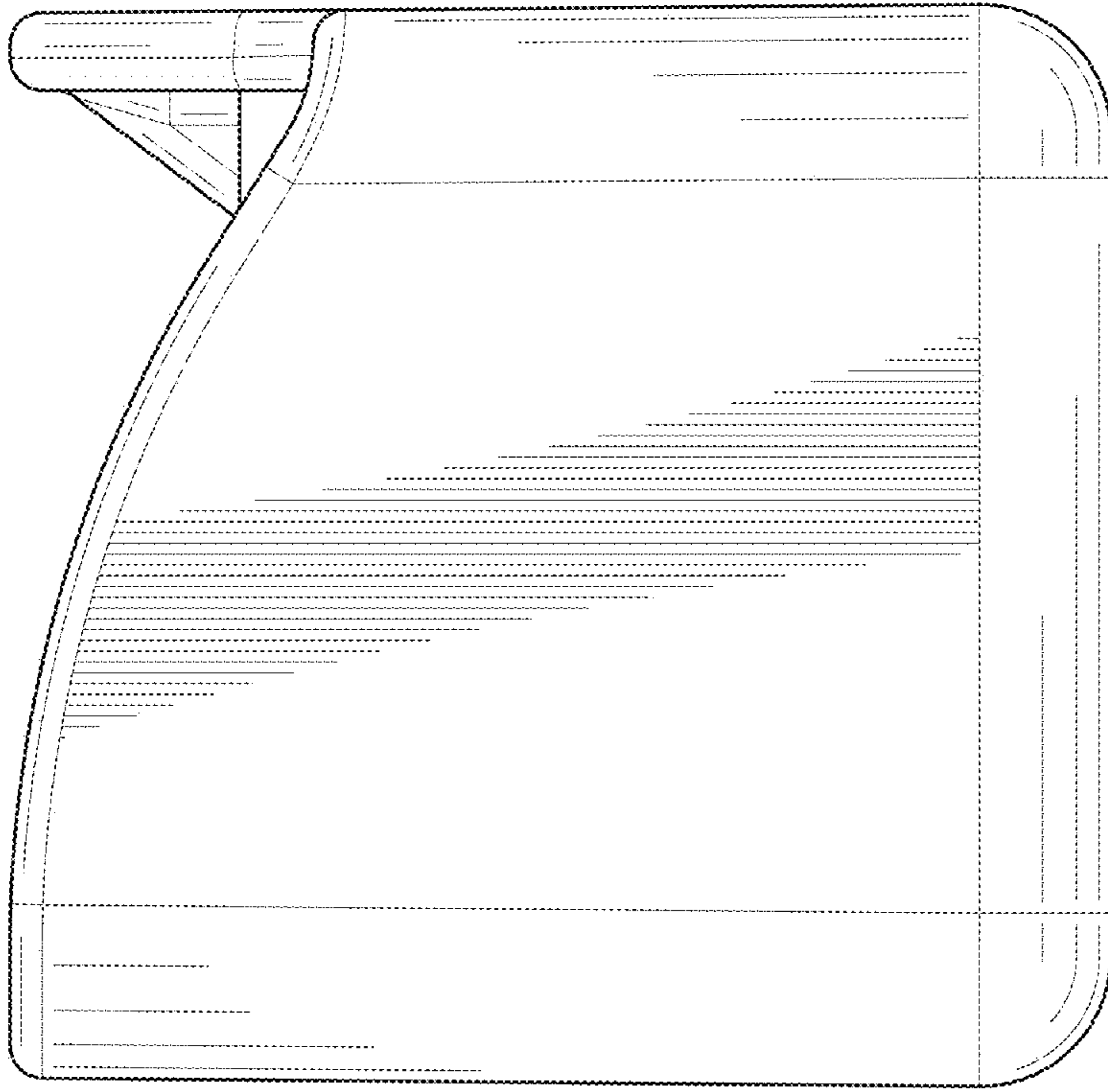


FIG. 7

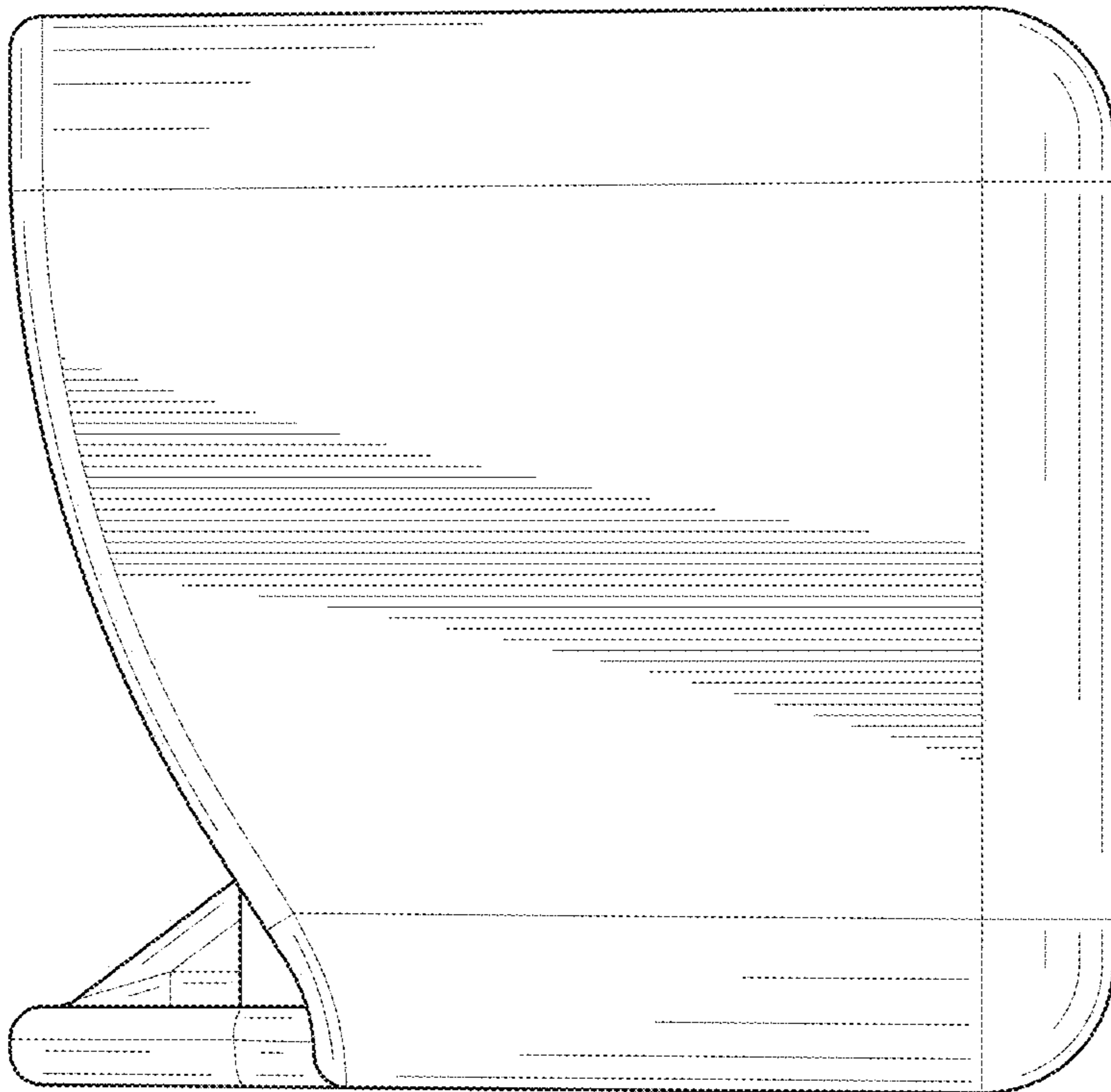


FIG. 8