



US00D948744S

(12) **United States Design Patent**
Ueyama

(10) **Patent No.:** **US D948,744 S**
(45) **Date of Patent:** **** Apr. 12, 2022**

(54) **SAMPLE STORAGE CONTAINER**

(71) Applicant: **KOBE BIO ROBOTIX CO., LTD.**,
Kato (JP)

(72) Inventor: **Yukio Ueyama**, Hyogo (JP)

(73) Assignee: **KOBE BIO ROBOTIX CO., LTD.**,
Hyogo (JP)

(**) Term: **15 Years**

(21) Appl. No.: **29/718,916**

(22) Filed: **Dec. 30, 2019**

(51) **LOC (13) Cl.** **24-02**

(52) **U.S. Cl.**
USPC **D24/224**

(58) **Field of Classification Search**
USPC D24/122, 128, 223-224, 226-227,
D24/229-230; D10/10, 46.2, 46.3;
(Continued)

(56) **References Cited**

U.S. PATENT DOCUMENTS

D338,064 S * 8/1993 Jones D24/128
D446,728 S * 8/2001 Bakic D9/549
(Continued)

FOREIGN PATENT DOCUMENTS

JP D1651454 1/2020
JP D1651455 1/2020
JP D1651530 1/2020

OTHER PUBLICATIONS

0.2 oz Clear PP Plastic Hinged Lid Containers (Clear Hinged Cap).
Online, published date unknown. Retrieved on Oct. 23, 2021 from
URL: <https://www.berlinpackaging.com/2924b05clr-0-2-oz-clear-pp-plastic-hinged-lid-containers-clear-hinged-cap/?promo=shopping>

&gclid=EAIaIQobChMlkc_
QkaLh8wIVQuG1Ch20MwvTEAQYBCABEgLIYPD_BwE.*

Primary Examiner — Omeed Agilee
(74) *Attorney, Agent, or Firm* — Hamre, Schumann,
Mueller & Larson, P.C.

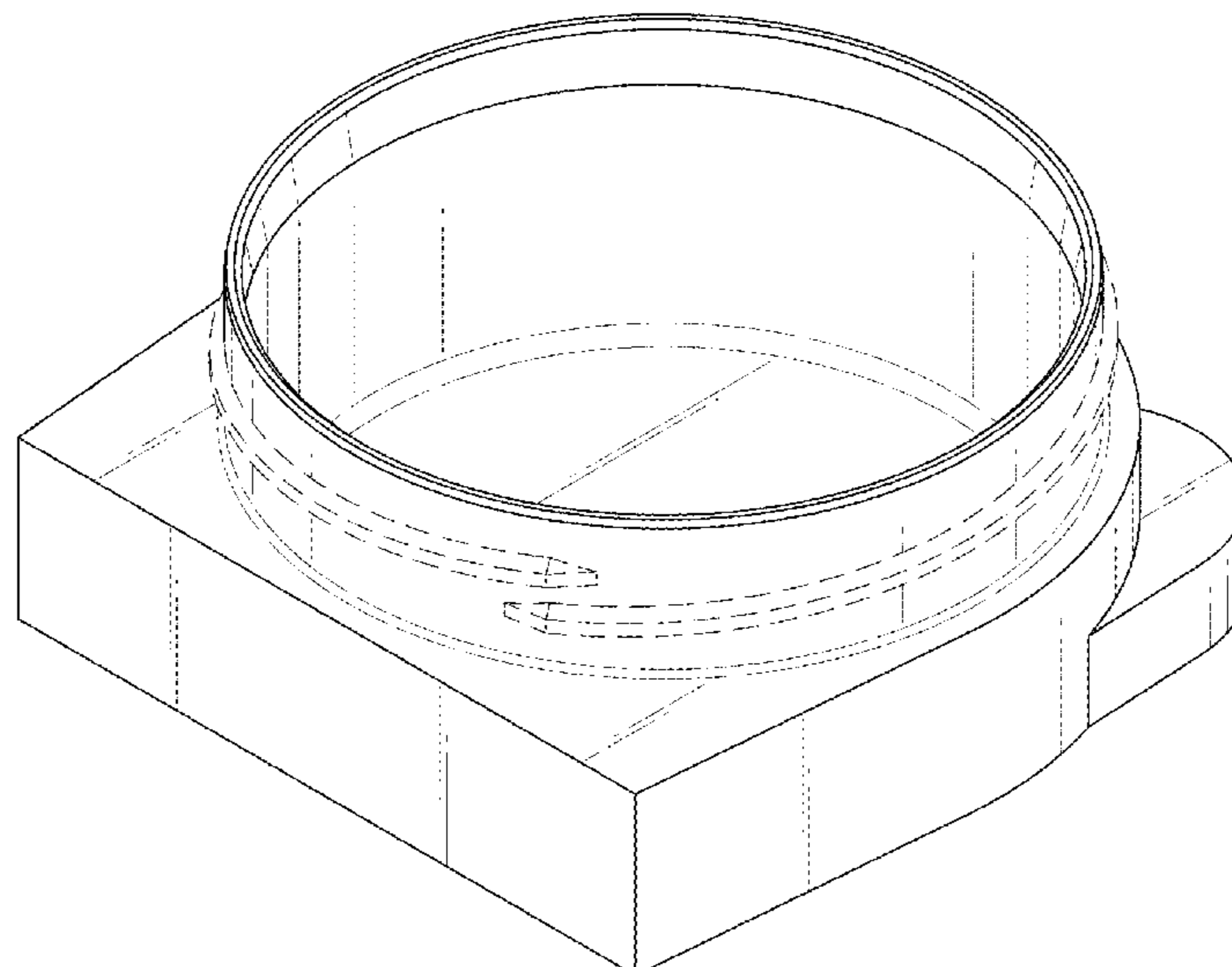
(57) **CLAIM**

The ornamental design for a sample storage container, as
shown and described.

DESCRIPTION

FIG. 1 is a perspective view of a sample storage container.
FIG. 2 is a front view of the sample storage container
depicted in FIG. 1.
FIG. 3 is a rear view of the sample storage container
depicted in FIG. 1.
FIG. 4 is a left side view of the sample storage container
depicted in FIG. 1.
FIG. 5 is a right side view of the sample storage container
depicted in FIG. 1.
FIG. 6 is a top view of the sample storage container depicted
in FIG. 1.
FIG. 7 is a bottom view of the sample storage container
depicted in FIG. 1.
FIG. 8 is a perspective view of the sample storage container
depicted in FIG. 1 with an unclaimed cap on the top.
FIG. 9 is a front view of the sample storage container
depicted in FIG. 8.
FIG. 10 is a rear view of the sample storage container
depicted in FIG. 8.
FIG. 11 is a left side view of the sample storage container
depicted in FIG. 8, the right side being a mirror image; and,
FIG. 12 is a top view of the sample storage container
depicted in FIG. 8.
The broken lines in FIGS. 1-6 depict portions of the sample
storage container that form no part of the claimed design.
The additional broken lines shown in FIGS. 8-12 depict
environmental subject matter and form no part of the
claimed design.

1 Claim, 7 Drawing Sheets



(58) **Field of Classification Search**

USPC D9/454, 503–505, 516, 529, 536, 537,
D9/545, 549, 551–552, 558, 696;
D23/211, 225; D7/300, 300.1, 316, 317,
D7/598
CPC A61B 10/007; A61B 10/0038; A61B
10/0045; A61B 10/0051; A61B 10/0058;
A61B 10/0096; A61B 5/20; A61B
19/021; A61F 5/00; B01L 3/50; B01L
3/502; B01L 3/5021; B01L 3/50215;
B01L 3/5023

See application file for complete search history.

(56) **References Cited**

U.S. PATENT DOCUMENTS

D543,274 S *	5/2007	Takahashi	D24/122
D577,292 S *	9/2008	Moretti	D9/560
D605,053 S *	12/2009	Webster	D9/542
D607,737 S *	1/2010	MacCarthy	D9/542
D630,097 S *	1/2011	Brochado	D9/503
D760,384 S *	6/2016	Niunoya	D24/127
D808,080 S *	1/2018	Corey	D28/85
D867,611 S *	11/2019	Schaff	D24/224
D891,263 S *	7/2020	Castaneda-Alcantara	D9/560
D901,305 S *	11/2020	Buck	D9/560
D925,033 S *	7/2021	Uridil	D24/128
D931,451 S *	9/2021	Baba	D24/138

* cited by examiner

Fig. 1

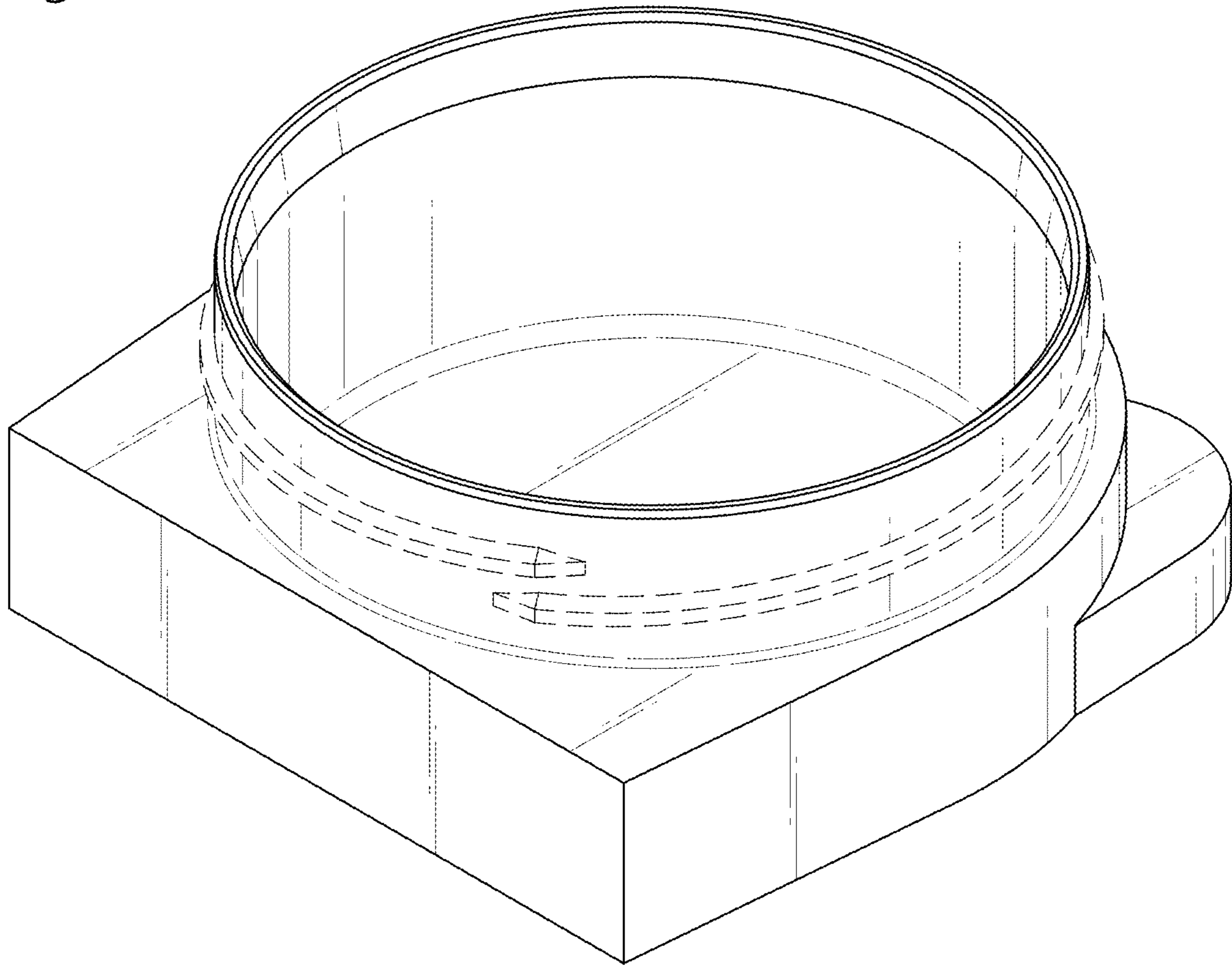


Fig. 2

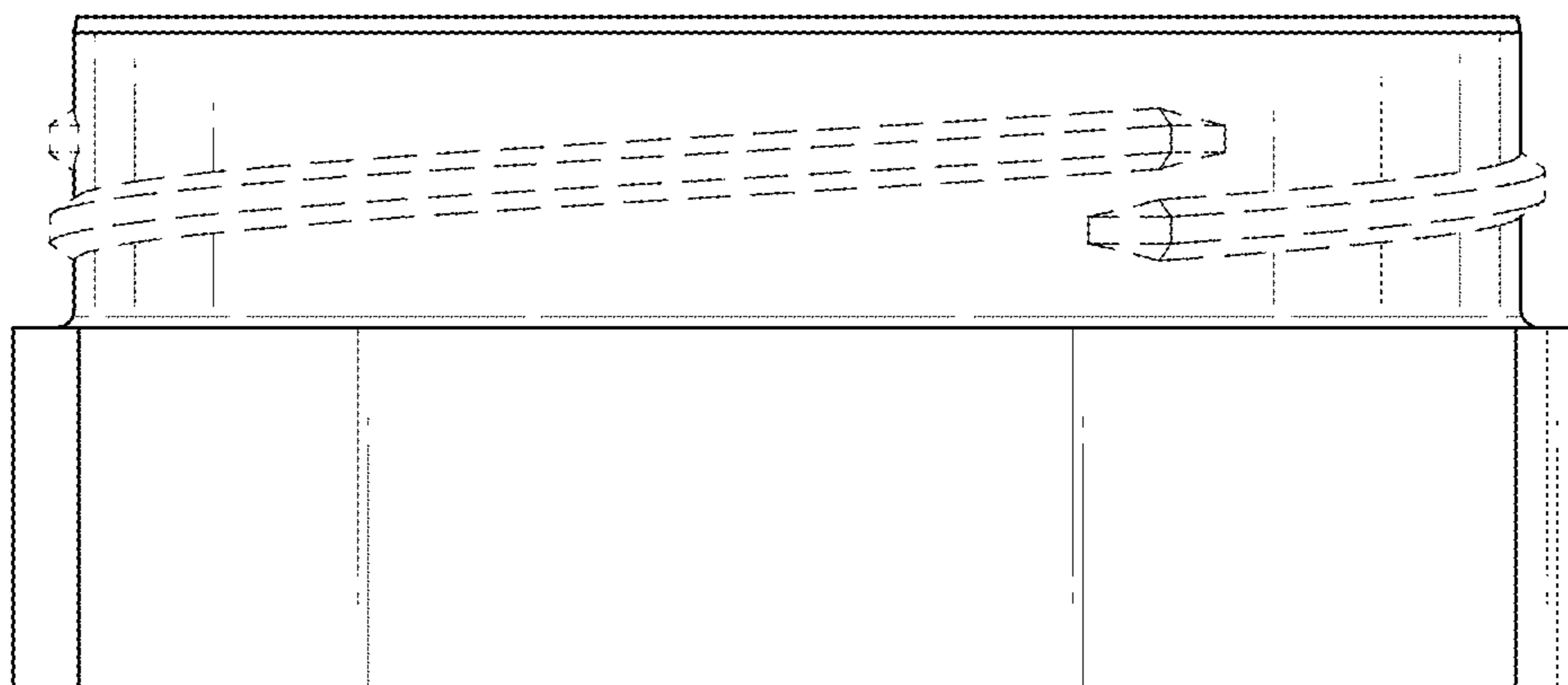


Fig. 3

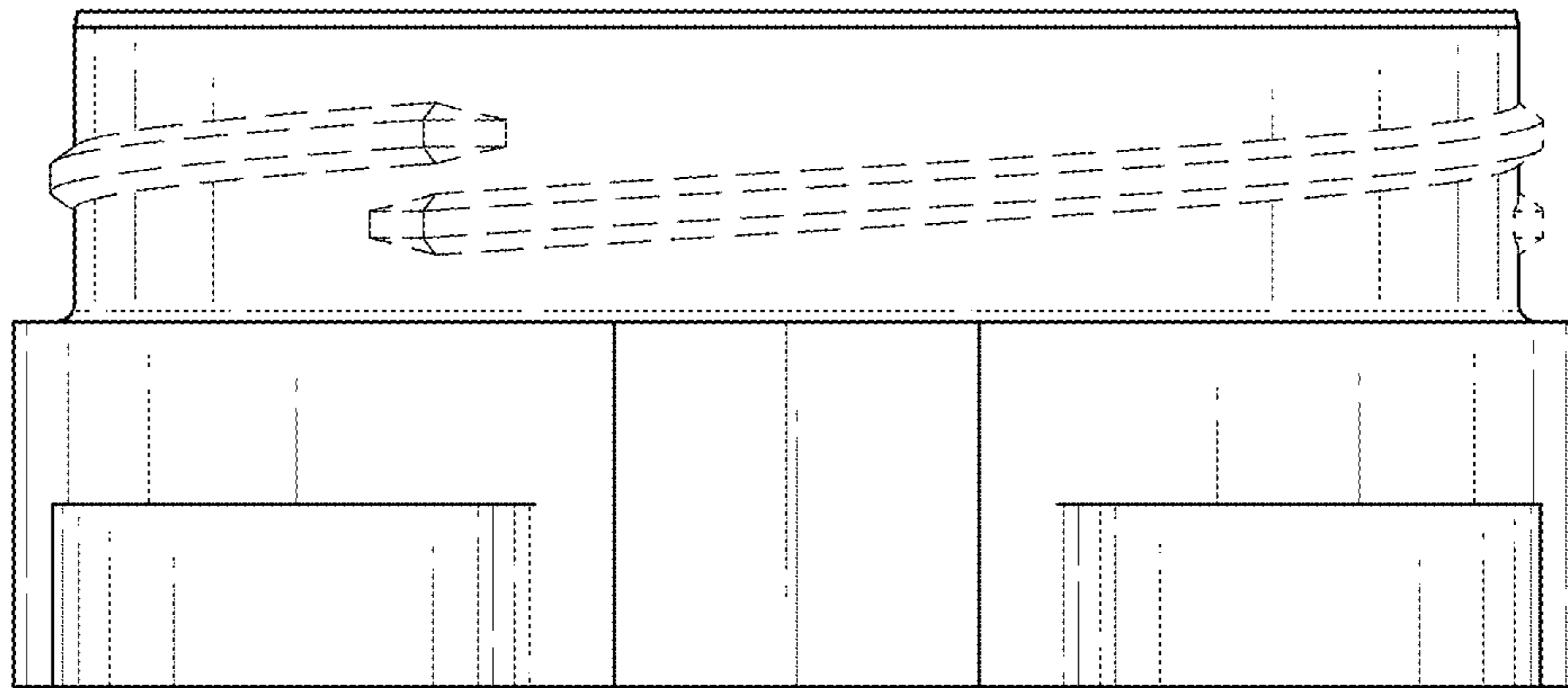


Fig. 4

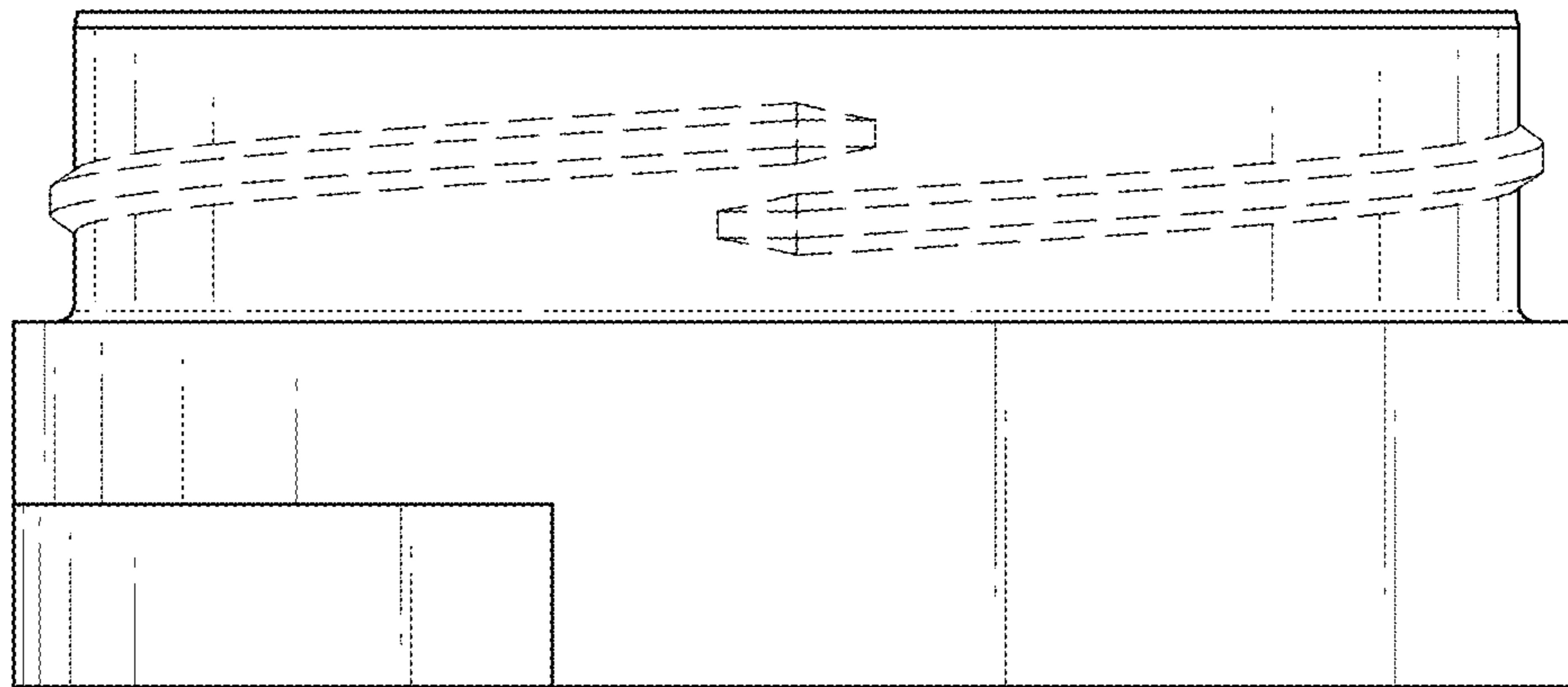


Fig. 5

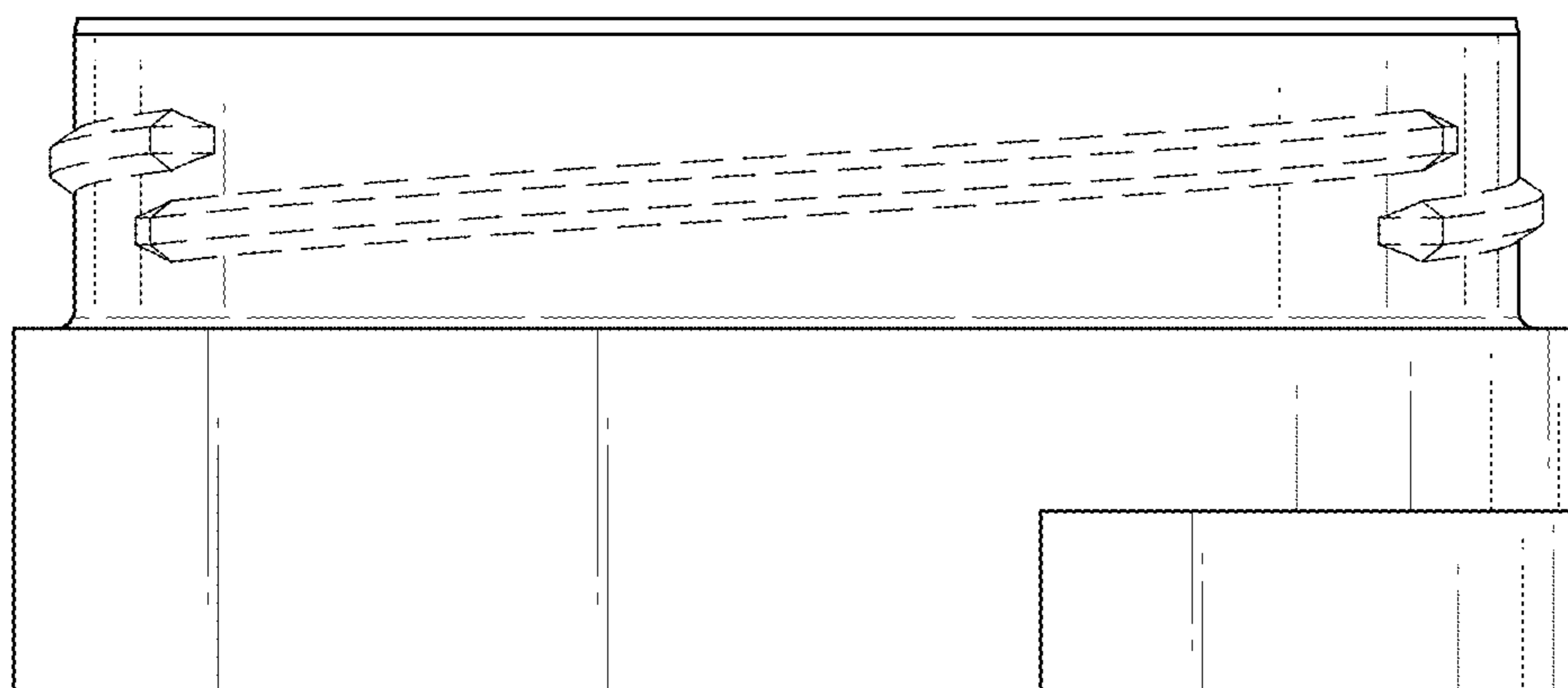


Fig. 6

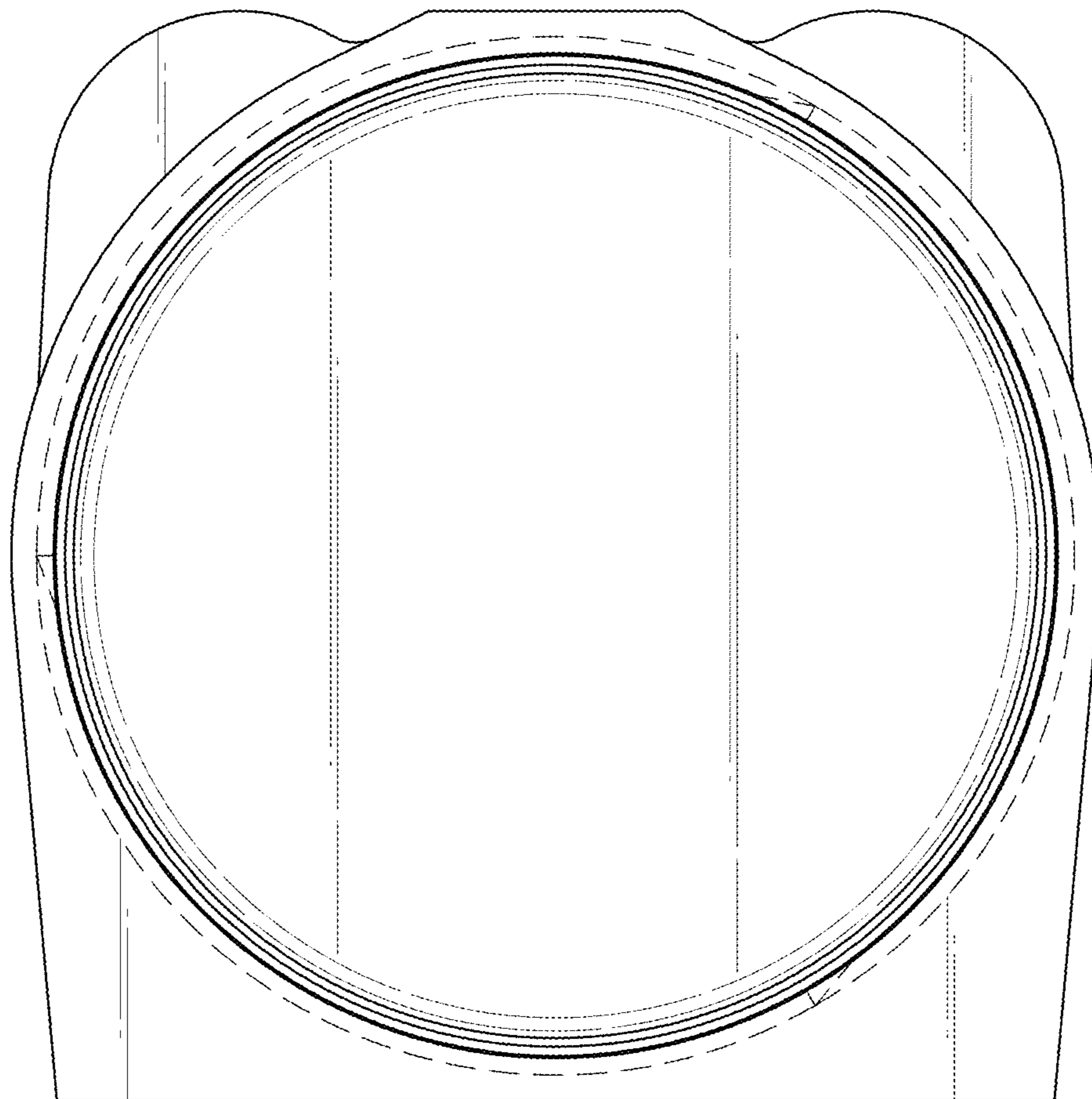


Fig. 7

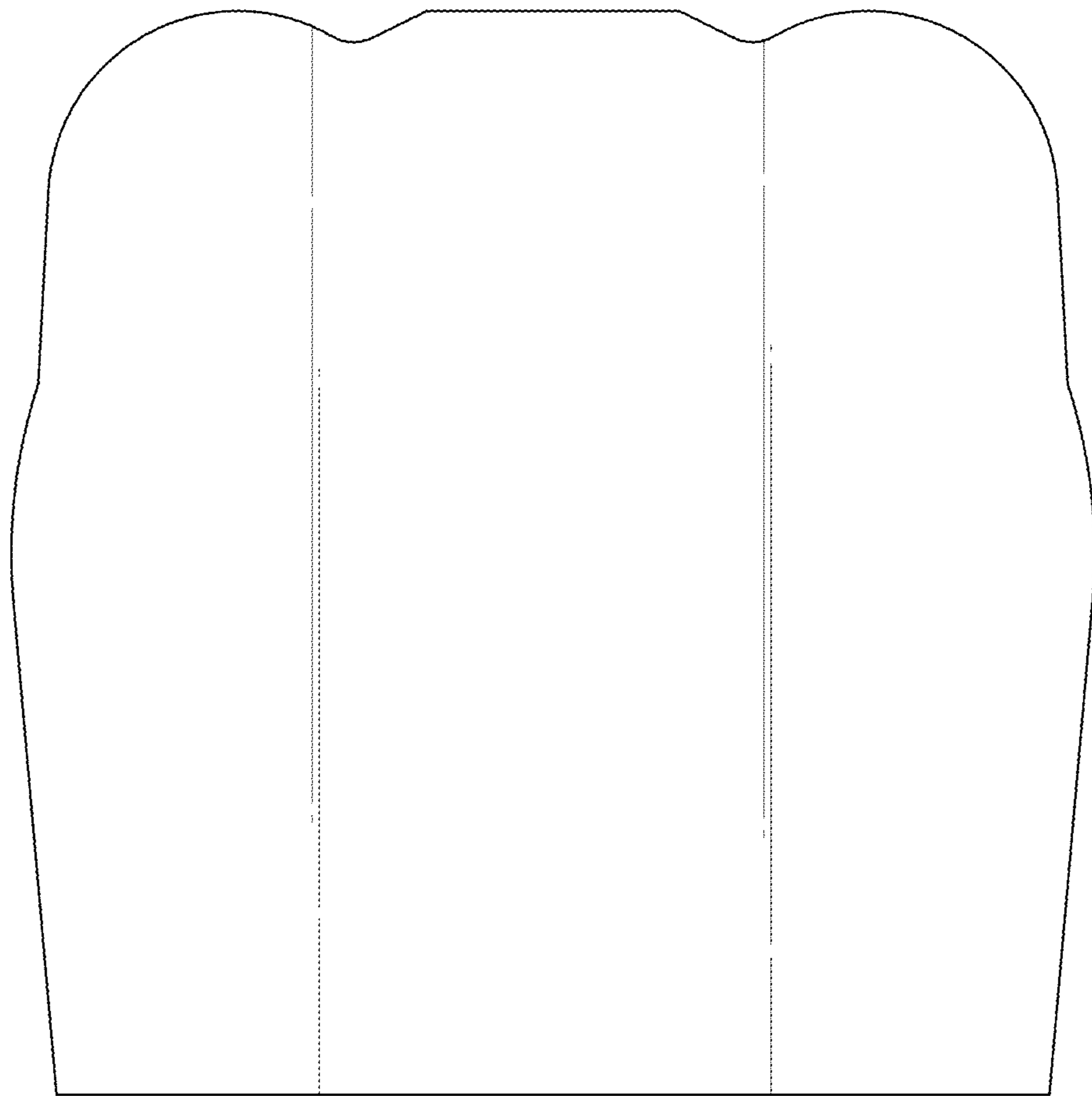


Fig. 8

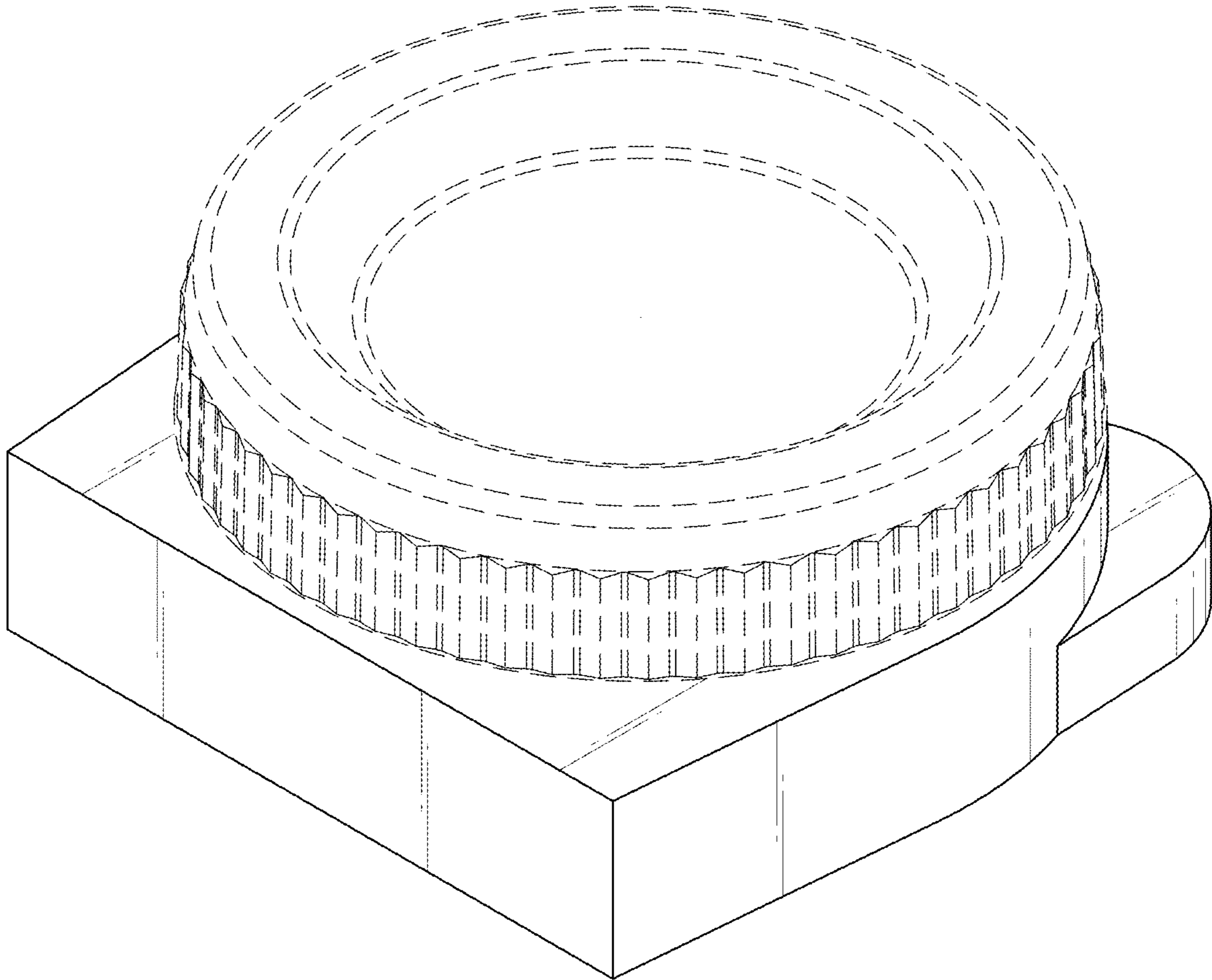


Fig. 9

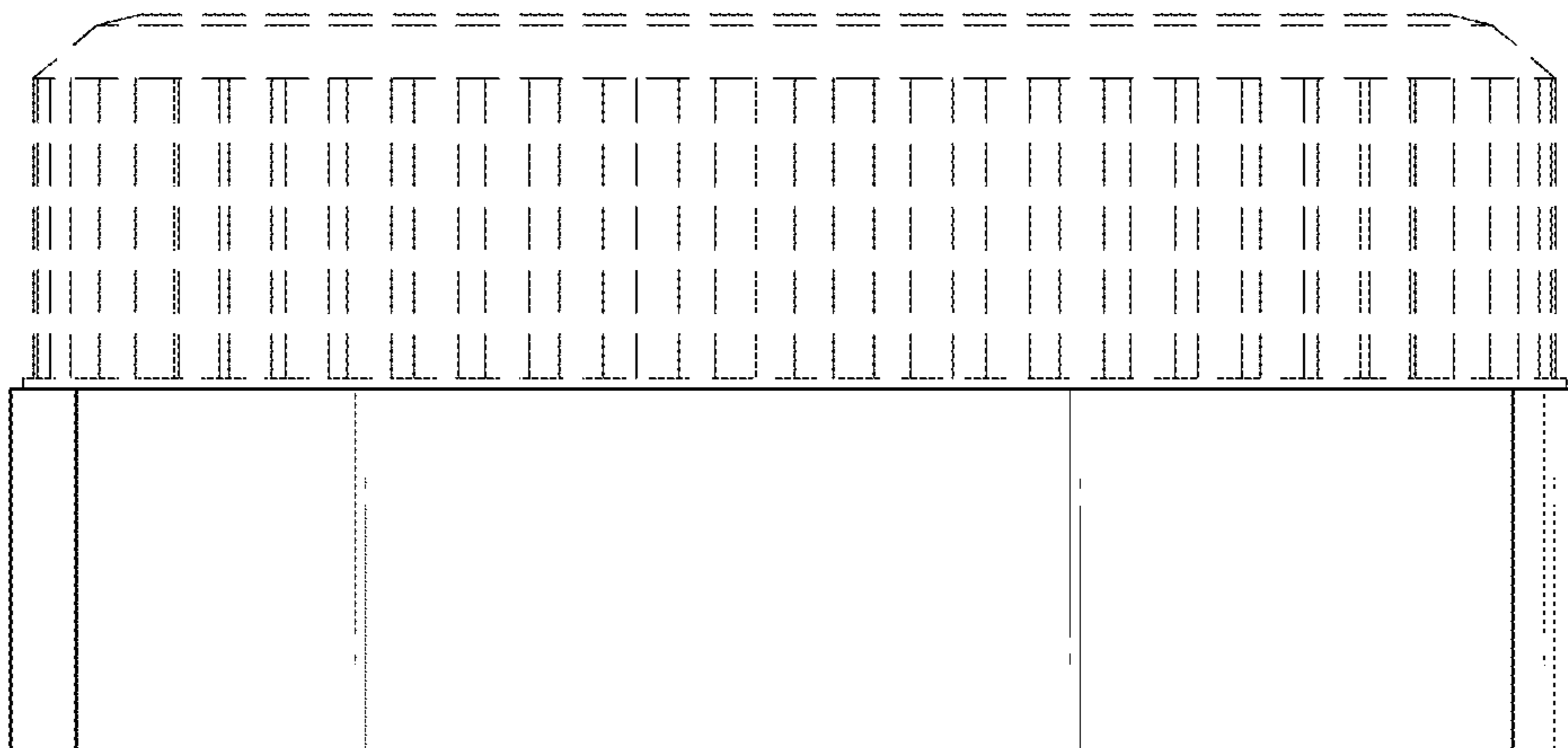


Fig. 10

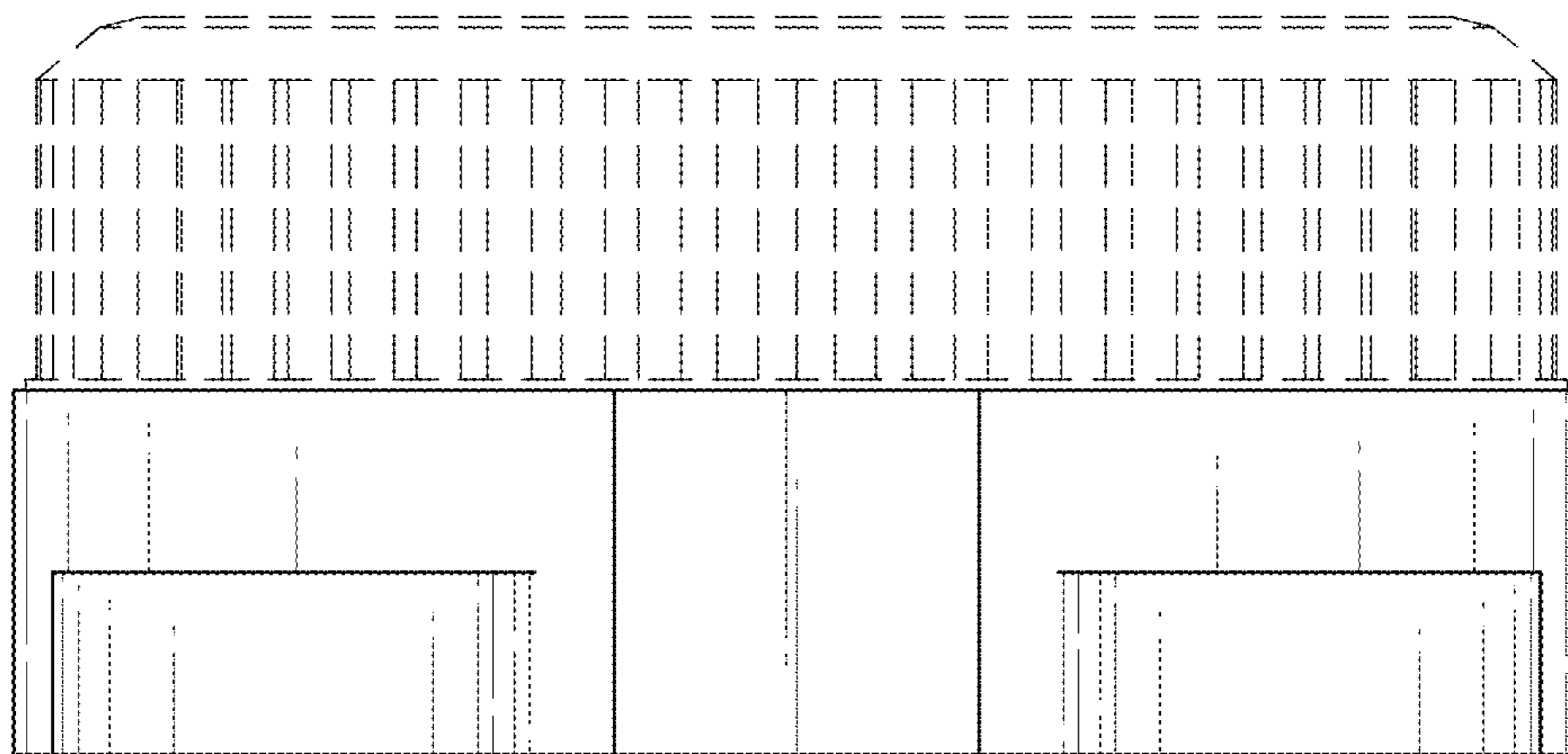


Fig. 11

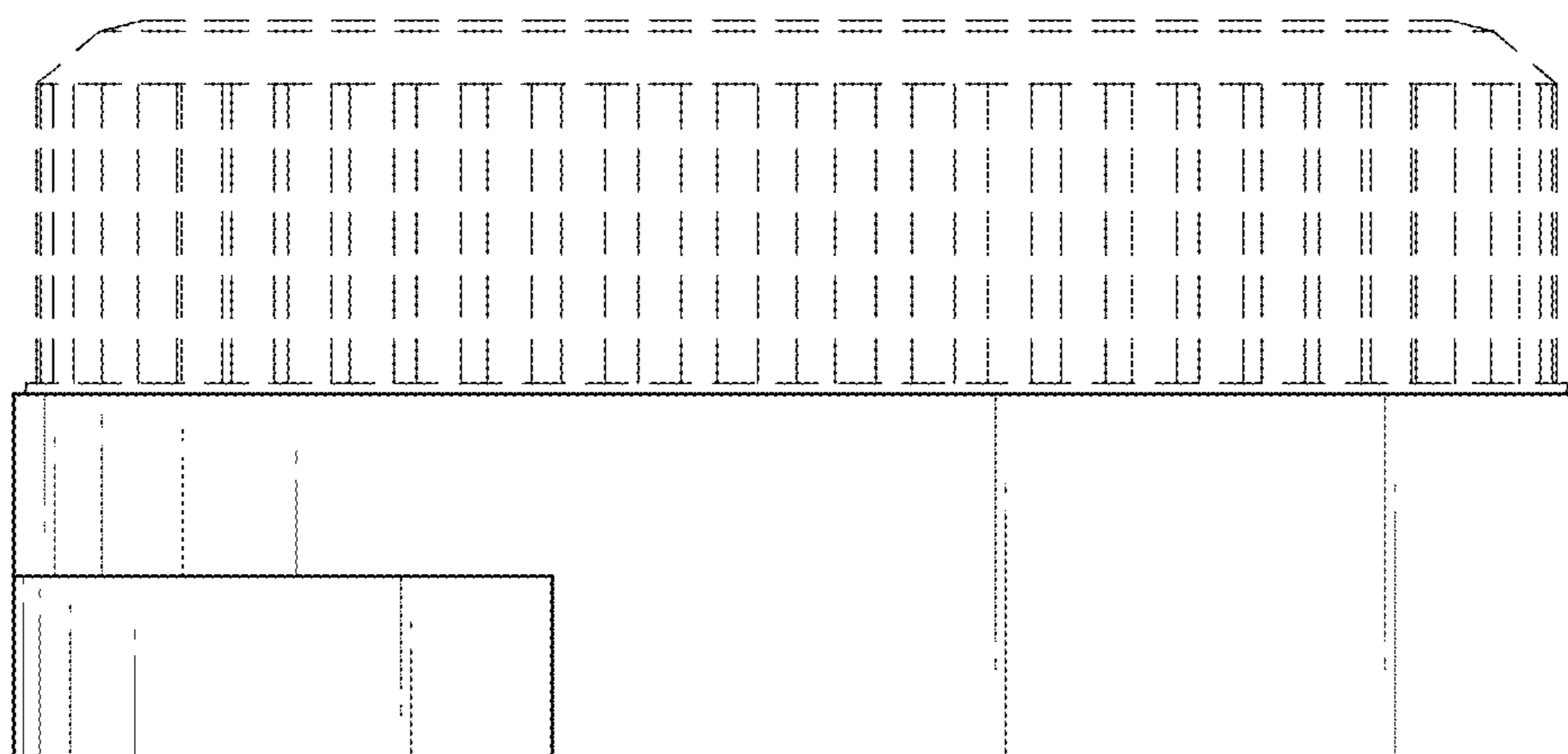


Fig. 12

