



US00D948741S

(12) **United States Design Patent** (10) **Patent No.:** **US D948,741 S**
Jin (45) **Date of Patent:** **** Apr. 12, 2022**

(54) **EYE MASSAGER WAND**

(71) Applicant: **Shenzhen DJ Innovation Industry Co., Ltd**, Shenzhen (CN)

(72) Inventor: **Bo Jin**, Shenzhen (CN)

(**) Term: **15 Years**

(21) Appl. No.: **29/751,870**

(22) Filed: **Sep. 23, 2020**

(30) **Foreign Application Priority Data**

Aug. 7, 2020 (CN) 202030447377.8

(51) **LOC (13) Cl.** **28-03**

(52) **U.S. Cl.**
USPC **D24/215**

(58) **Field of Classification Search**
USPC D24/215, 211, 212, 213, 214, 107, 231, D24/209

CPC A61H 7/00; A61H 7/002; A61H 7/003; A61H 7/005; A61H 5/00; A61H 15/02; A61N 5/00; A61N 5/06; A61N 1/40

See application file for complete search history.

(56) **References Cited**

U.S. PATENT DOCUMENTS

D514,560 S *	2/2006	Brown	D14/480.5
D525,247 S *	7/2006	Rubin	D14/480.1
D527,477 S *	8/2006	Chen	D14/480.3
D706,278 S *	6/2014	Fukuoka	D14/480.5
D830,065 S *	10/2018	Harrington	D4/138
D924,423 S *	7/2021	Luo	D24/215
D927,056 S *	8/2021	Zeng	D27/162
2015/0073438 A1 *	3/2015	Levy	A45D 44/22 606/131

OTHER PUBLICATIONS

Cimenn—Portable Nano Facial Mist Cold Spray Hydrating Sprayer. Date: Jun. 27, 2019. [online]. [Site visited Dec. 3, 2021]. Available

from Internet URL: <https://www.amazon.co.uk/dp/B07TJCLHSL/> (Year: 2019).*

Frcolor—Nano Handy Mist Spray Nano Mister. Date: Jul. 24, 2019. [online]. [Site visited Dec. 3, 2021]. Available from Internet URL: <https://www.amazon.co.uk/dp/B07VRS62CM/> (Year: 2019).*

Yeyat—Portable Nano Mist Sprayer. Date: Nov. 25, 2019. [online]. [Site visited Dec. 3, 2021]. Available from Internet URL: <https://www.amazon.co.uk/dp/B07R61QFFC/> (Year: 2019).*

Eye massager. (Design—© Questel) orbit.com. [Online PDF compilation of references] 37 pgs. Print Dates Range Sep. 8, 2017-Sep. 1, 2020 [Retrieved Dec. 8, 2021] <https://www.orbit.com/export/UCZAH96B/pdf4/1569dd05-eb75-4425-80fe-3c64d5e3a339-202728.pdf> (Year: 2021).*

* cited by examiner

Primary Examiner — Susan Bennett Hattan

Assistant Examiner — Landon Thomas Cassell

(57) **CLAIM**

The ornamental design for an eye massager wand, as shown and described.

DESCRIPTION

FIG. 1 is a first perspective view of an eye massager wand showing my new design;

FIG. 2 is a second perspective view thereof;

FIG. 3 is a front view thereof;

FIG. 4 is a back view thereof;

FIG. 5 is a left side view thereof;

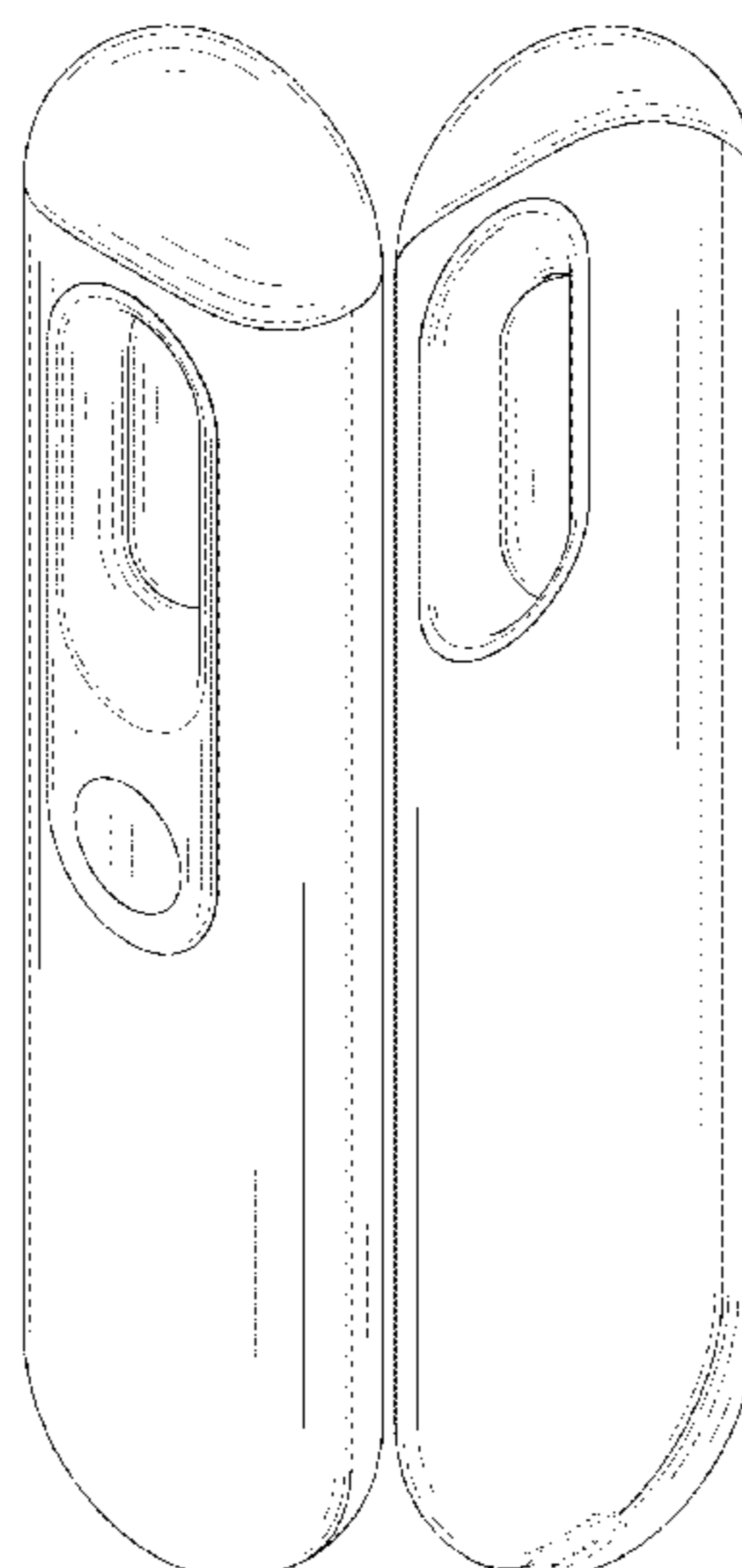
FIG. 6 is a right side view thereof;

FIG. 7 is a top view thereof; and,

FIG. 8 is a bottom view thereof.

The broken lines, shown in the drawings depict portions of the eye massager wand in which the design is embodied that form no part of the claimed design.

1 Claim, 8 Drawing Sheets



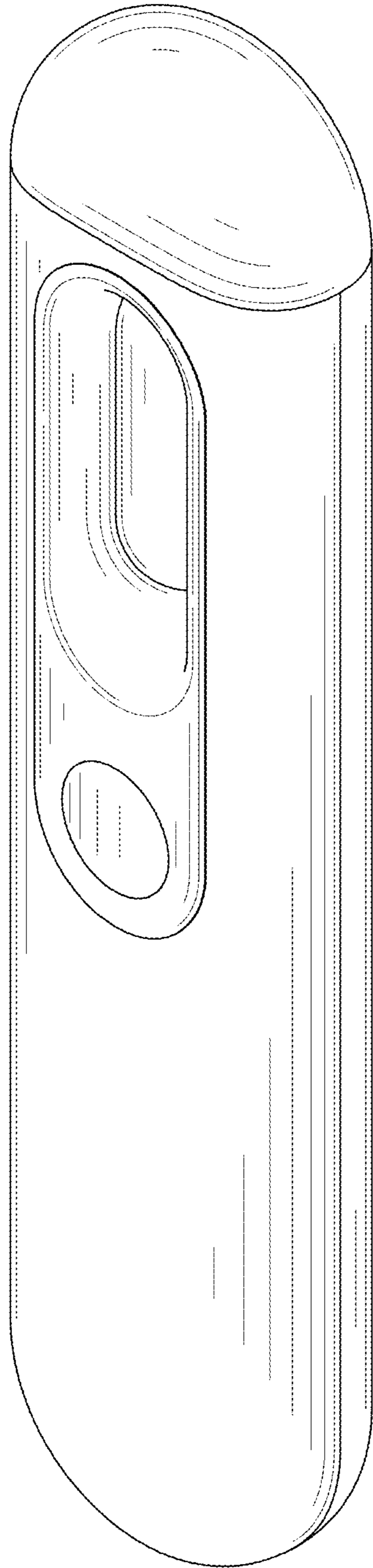


FIG. 1

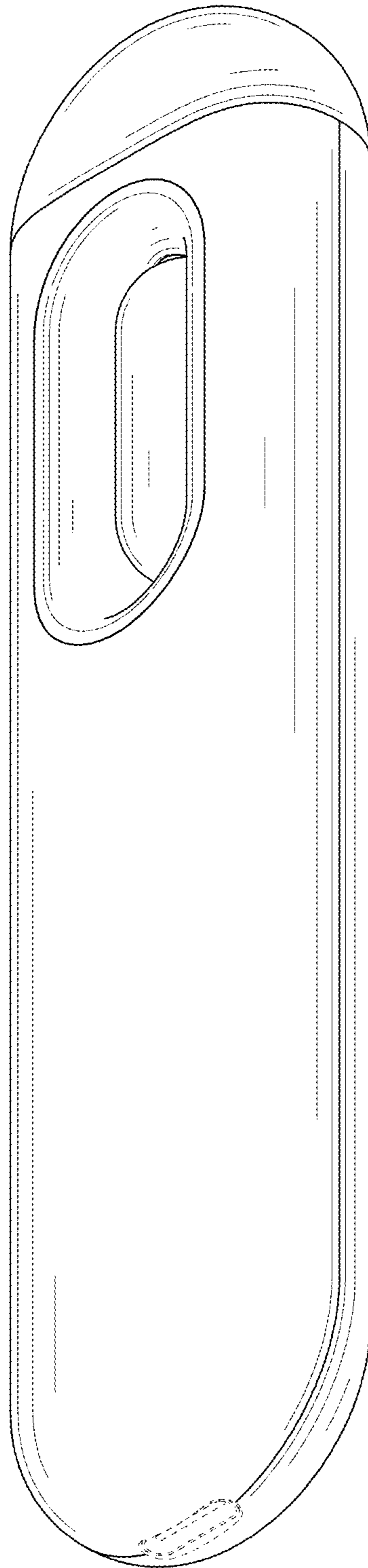


FIG. 2

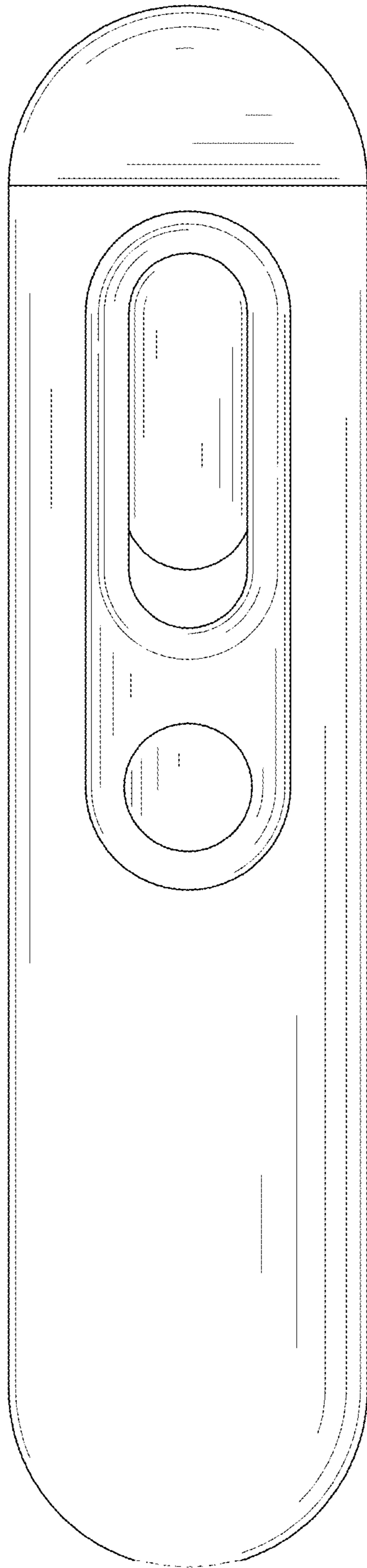


FIG. 3

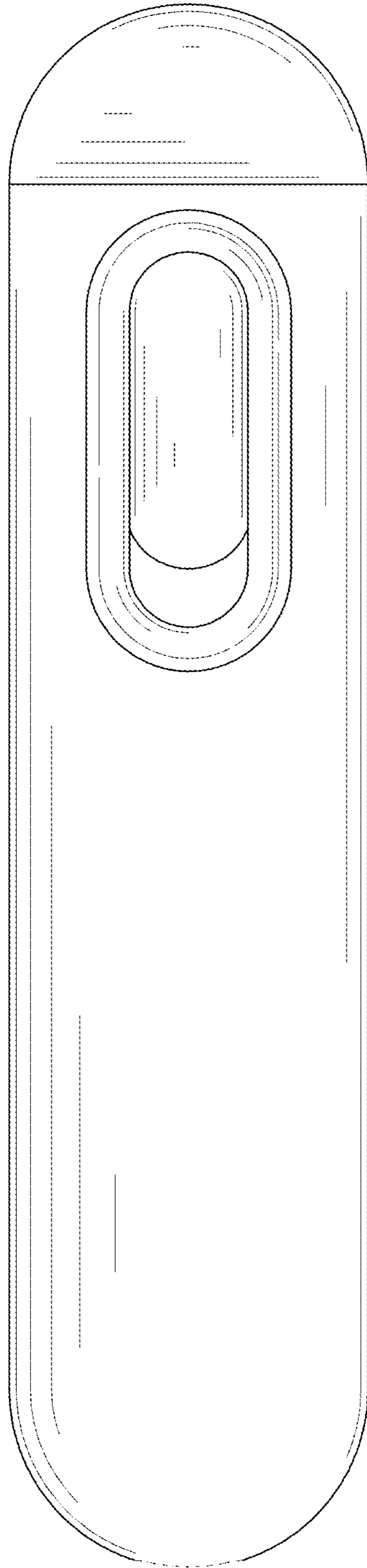


FIG. 4

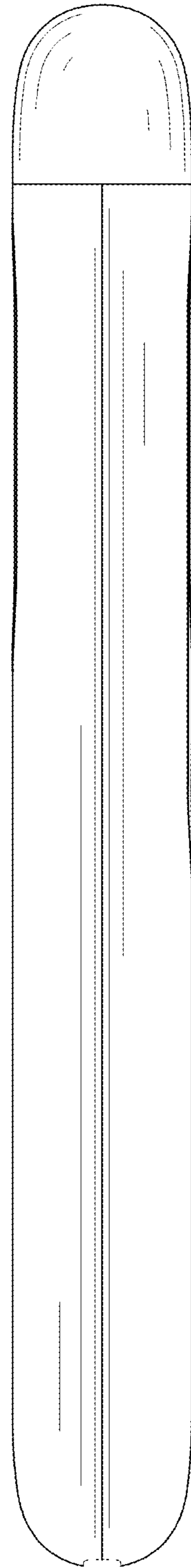


FIG. 5

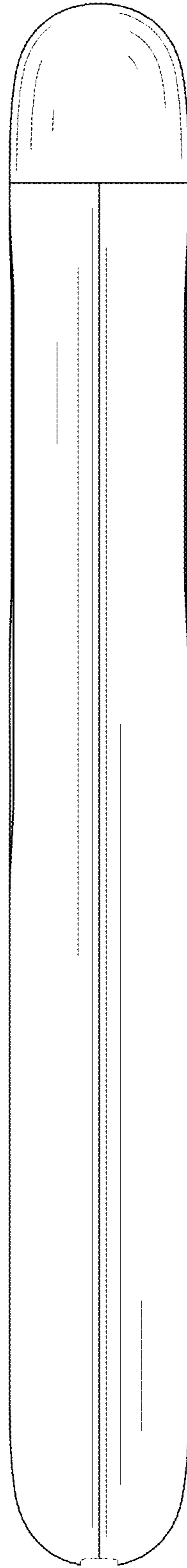


FIG. 6

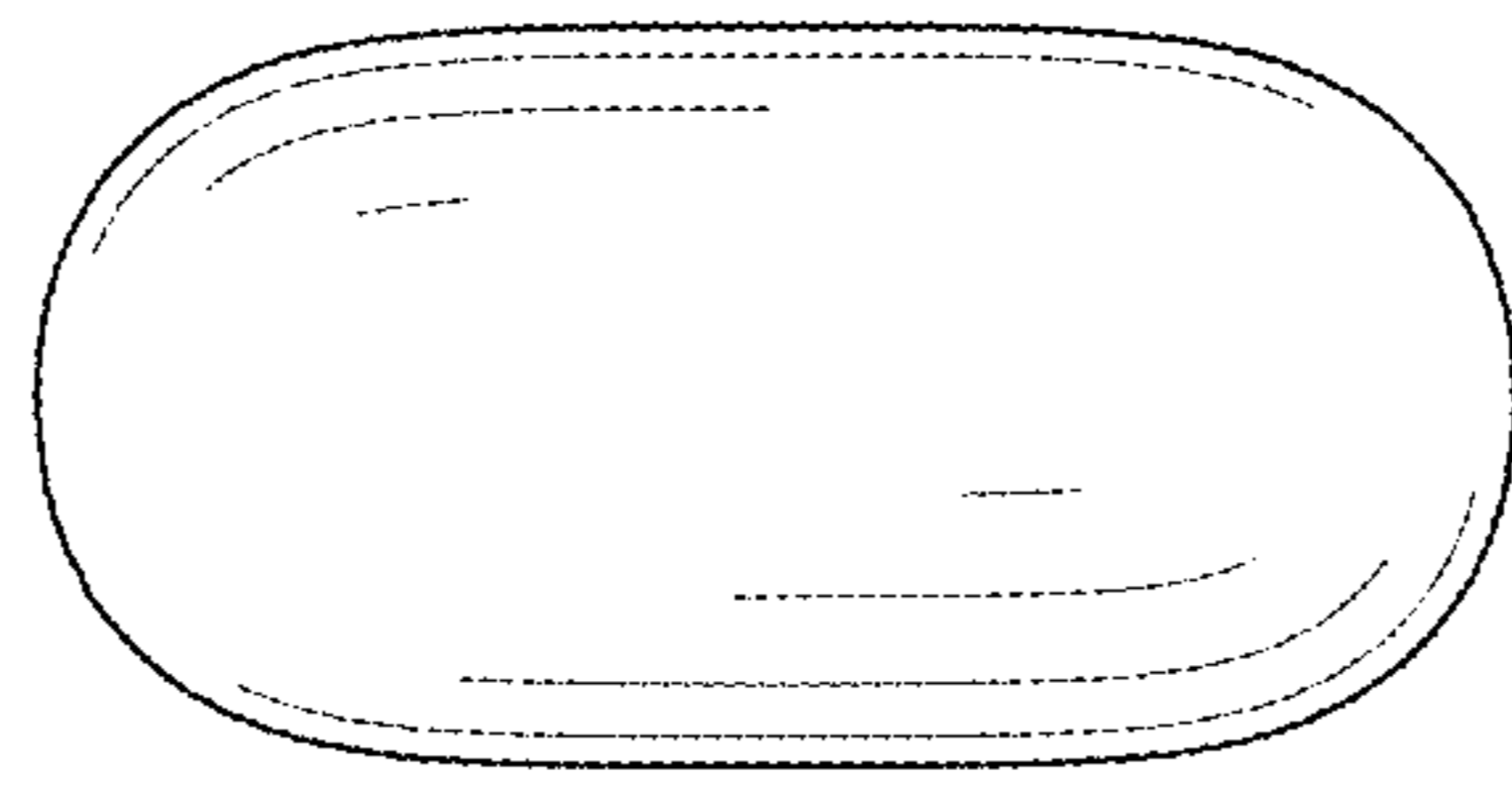


FIG. 7

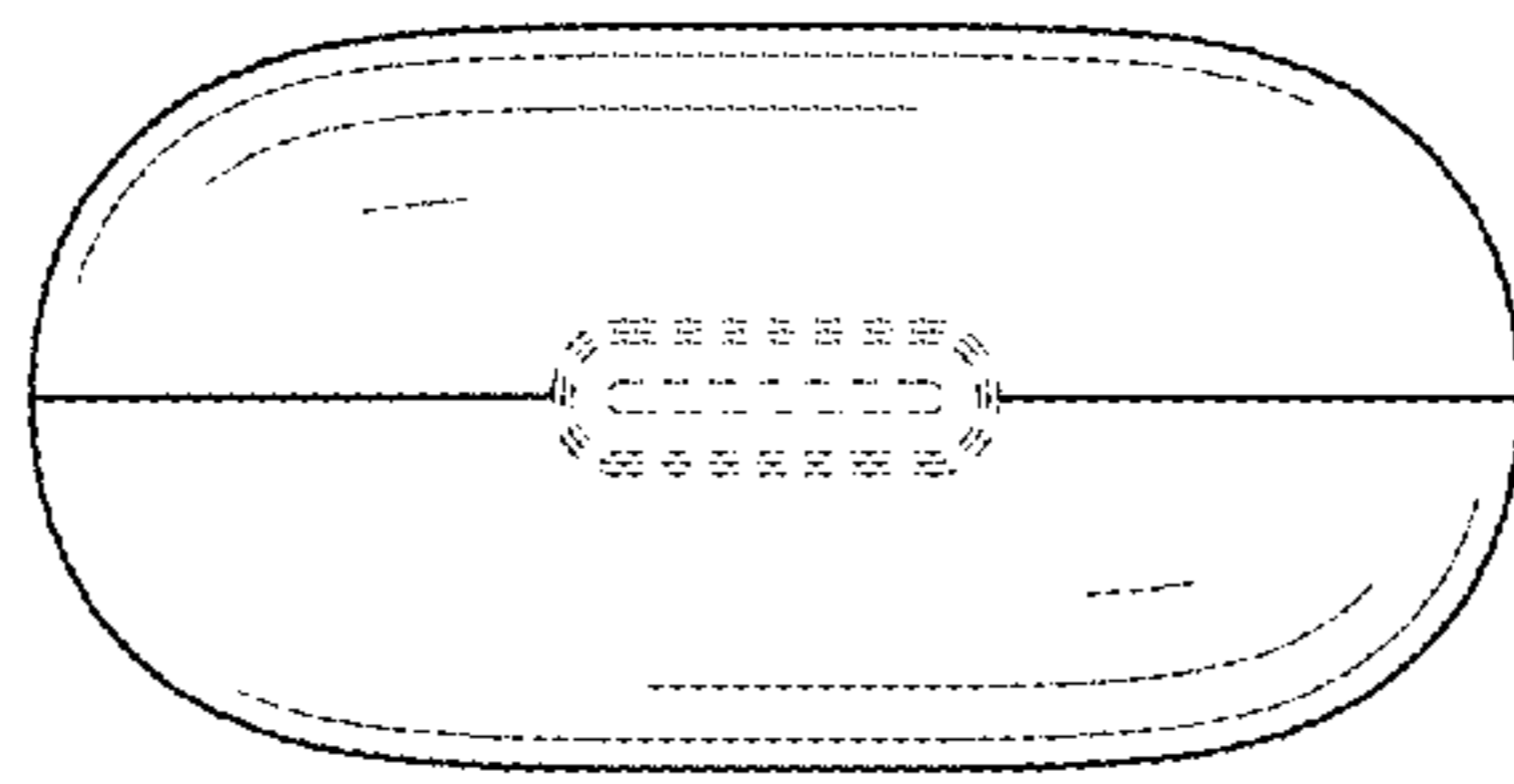


FIG. 8