



US00D948738S

(12) **United States Design Patent** (10) **Patent No.:** **US D948,738 S**
Zhou (45) **Date of Patent:** **** Apr. 12, 2022**

(54) **BEAUTY APPARATUS**

(71) Applicant: **Xiaobo Zhou**, Guang'An (CN)

(72) Inventor: **Xiaobo Zhou**, Guang'An (CN)

(**) Term: **15 Years**

(21) Appl. No.: **29/782,971**

(22) Filed: **May 10, 2021**

(51) **LOC (13) Cl.** **28-03**

(52) **U.S. Cl.**
USPC **D24/209**

(58) **Field of Classification Search**
USPC D24/200, 214, 209, 210, 146; D26/106,
D26/120; D28/9, 44.1
CPC A61N 5/062; A61N 5/0616; A61N 5/0618;
A61B 18/203; A61B 2018/2036; A61B
2018/00202
See application file for complete search history.

(56) **References Cited**

U.S. PATENT DOCUMENTS

| | | | |
|--------------|--------|-----------------|---------|
| D548,341 S * | 8/2007 | Ohta | |
| D652,523 S * | 1/2012 | Bradley | D24/209 |
| D687,156 S | 7/2013 | Yamamoto et al. | |
| D849,257 S | 5/2019 | Fukuda et al. | |
| D896,381 S * | 9/2020 | Kern | D24/146 |
| D897,109 S * | 9/2020 | Blank | D24/214 |
| D916,306 S * | 4/2021 | Du | D24/214 |

| | | | |
|-------------------|---------|---------|-----------------------|
| D924,415 S * | 7/2021 | Yuval | D24/209 |
| 2012/0197357 A1 * | 8/2012 | Dewey | A61N 5/0616 607/89 |
| 2015/0112411 A1 * | 4/2015 | Beckman | A61N 5/0616 607/90 |
| 2021/0339040 A1 * | 11/2021 | Truong | A61N 5/0616 |

FOREIGN PATENT DOCUMENTS

CN 202030640703.7 * 3/2021

* cited by examiner

Primary Examiner — Anhdao Doan

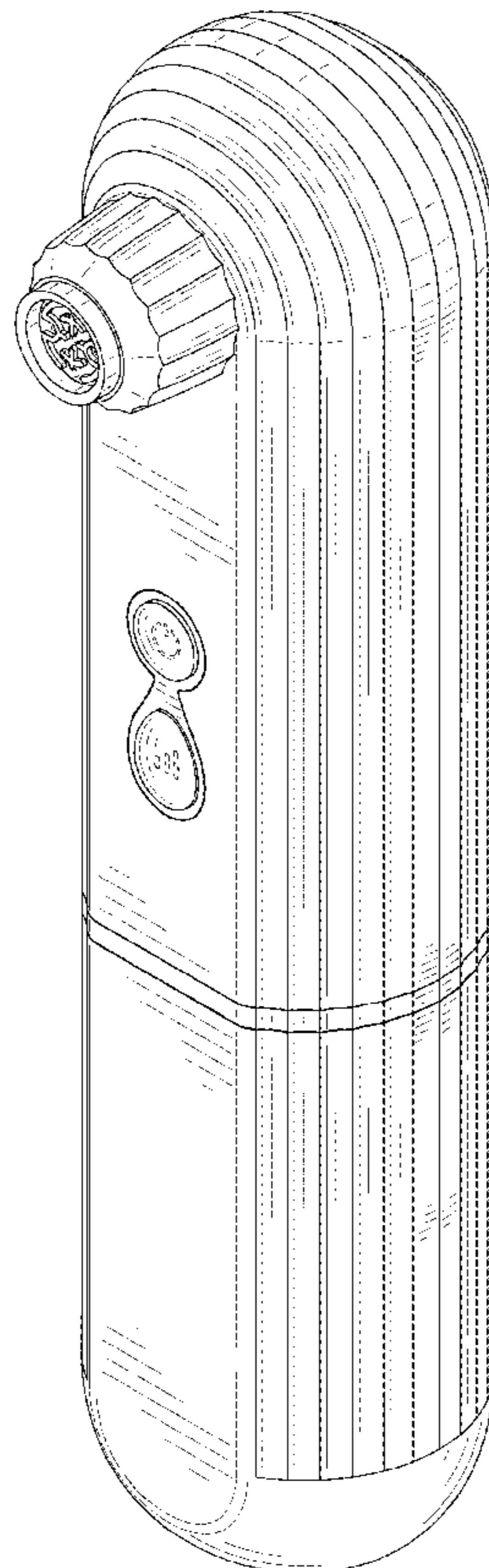
(57) **CLAIM**

The ornamental design for a beauty apparatus, as shown and described.

DESCRIPTION

FIG. 1 is a perspective view of a beauty apparatus showing my new design;
FIG. 2 is another perspective view thereof;
FIG. 3 is a front elevational view thereof;
FIG. 4 is a rear elevational view thereof;
FIG. 5 is a left side elevational view thereof;
FIG. 6 is a right side elevational view thereof;
FIG. 7 is a top plan view thereof; and,
FIG. 8 is a bottom plan view thereof.
The broken lines in the drawings depict portions of the beauty apparatus that form no part of the claimed design.

1 Claim, 8 Drawing Sheets



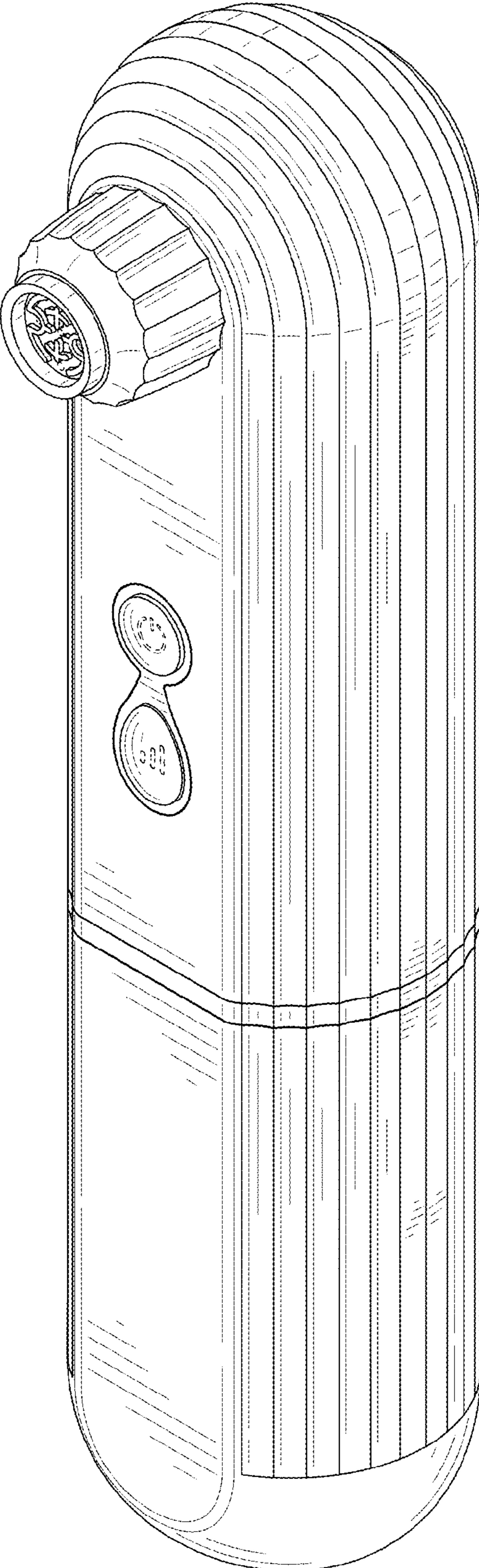


FIG. 1

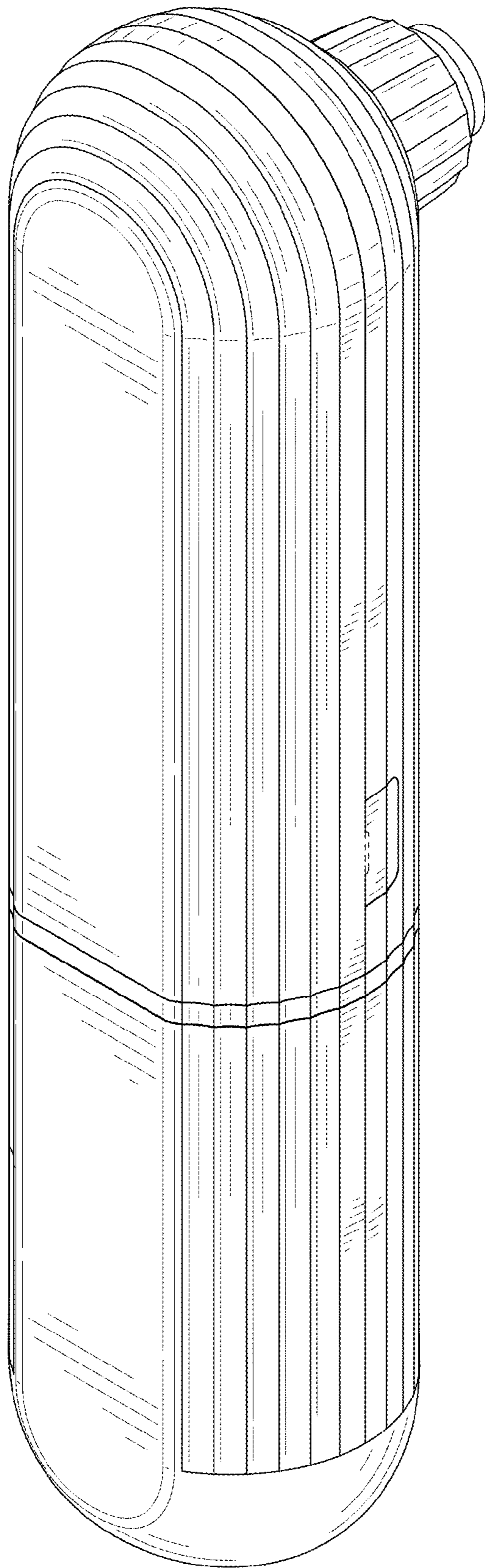


FIG. 2

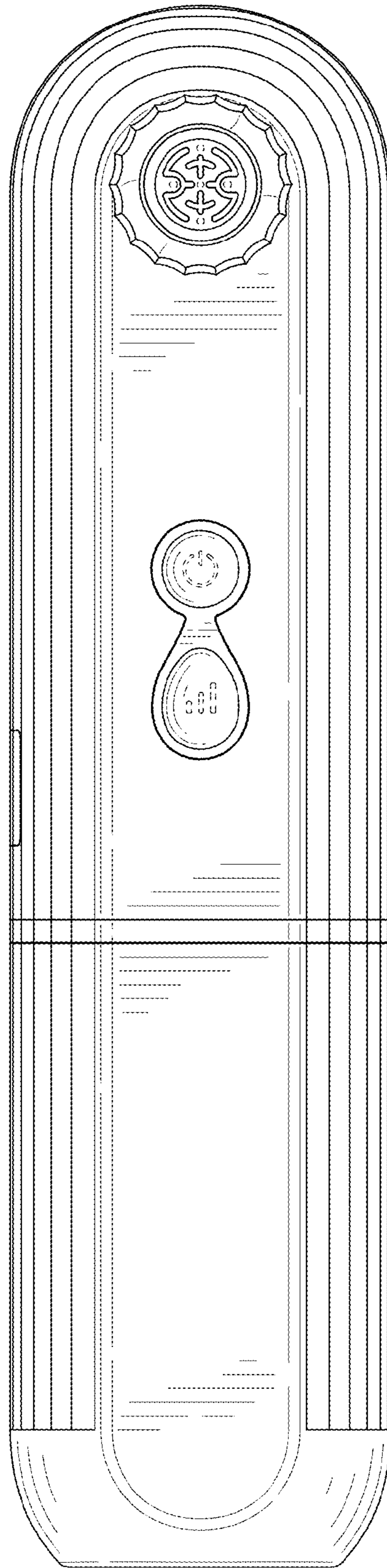


FIG. 3

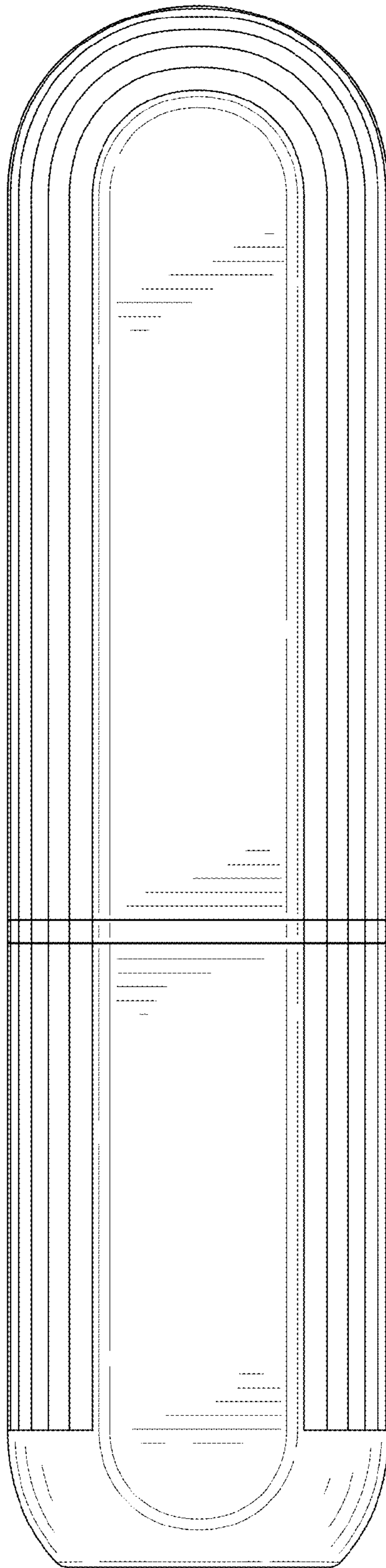


FIG. 4

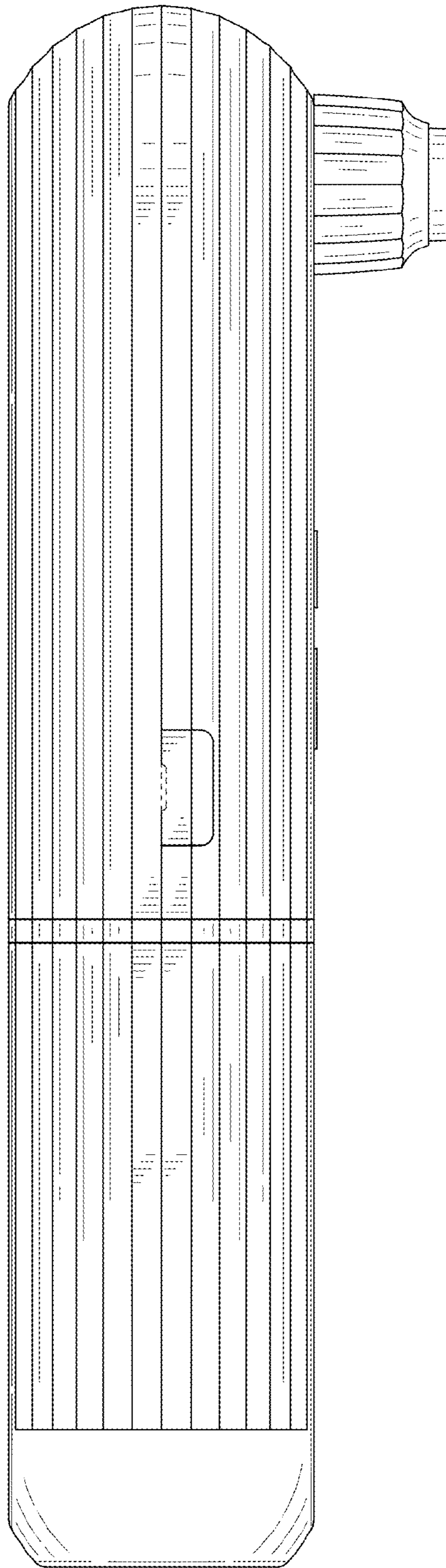


FIG. 5

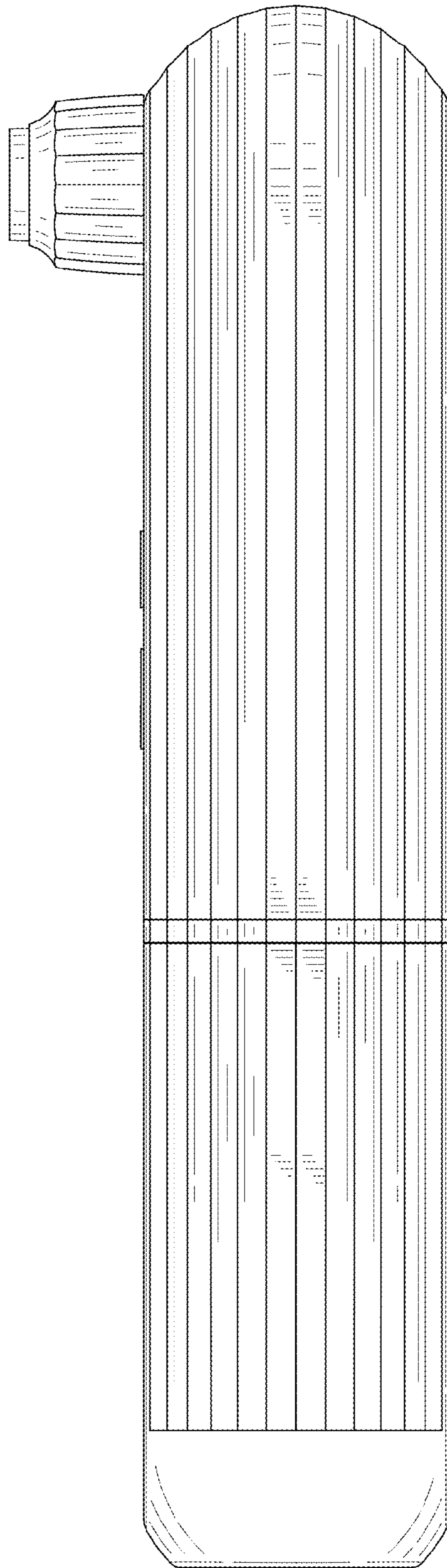


FIG. 6

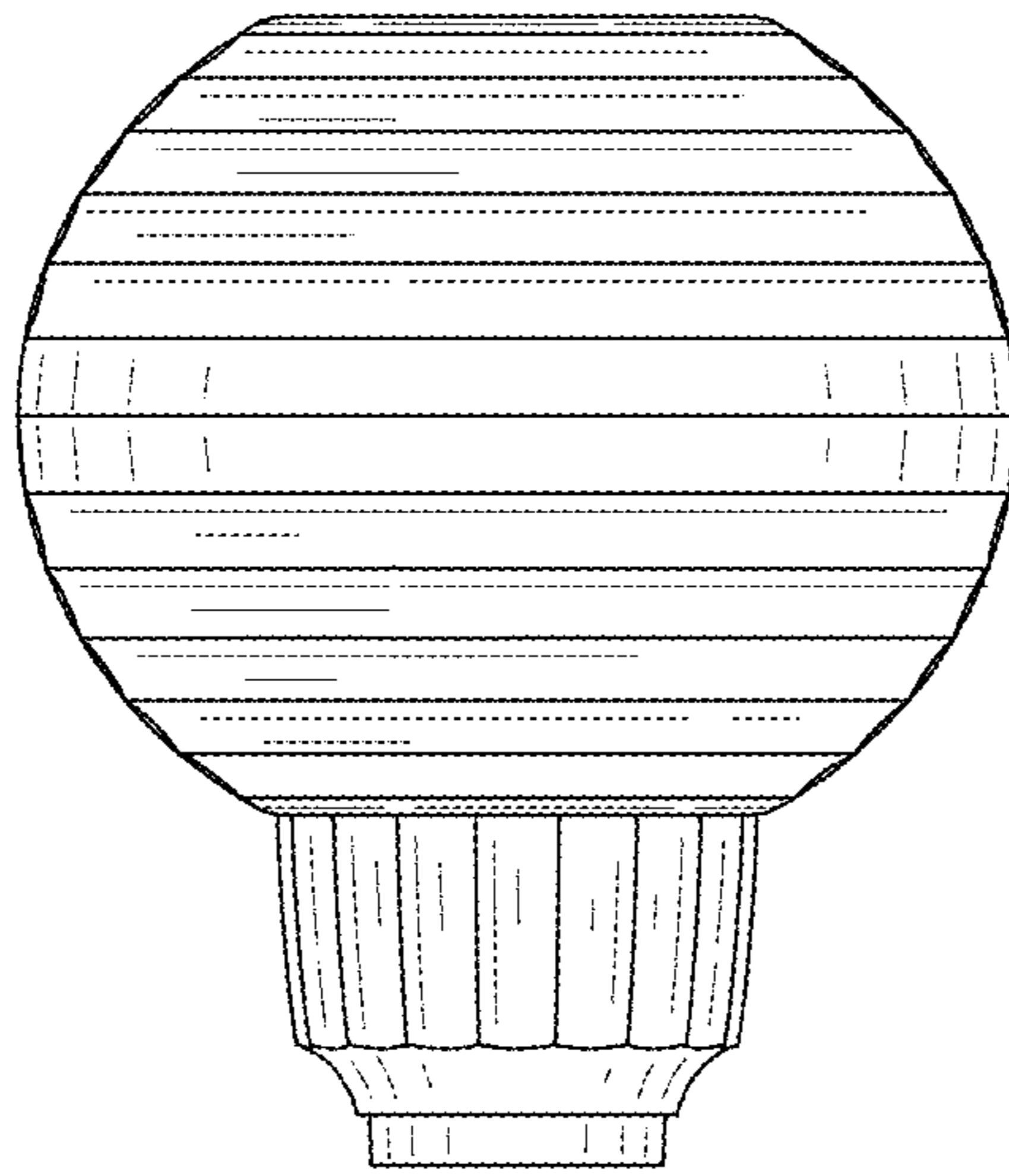


FIG. 7

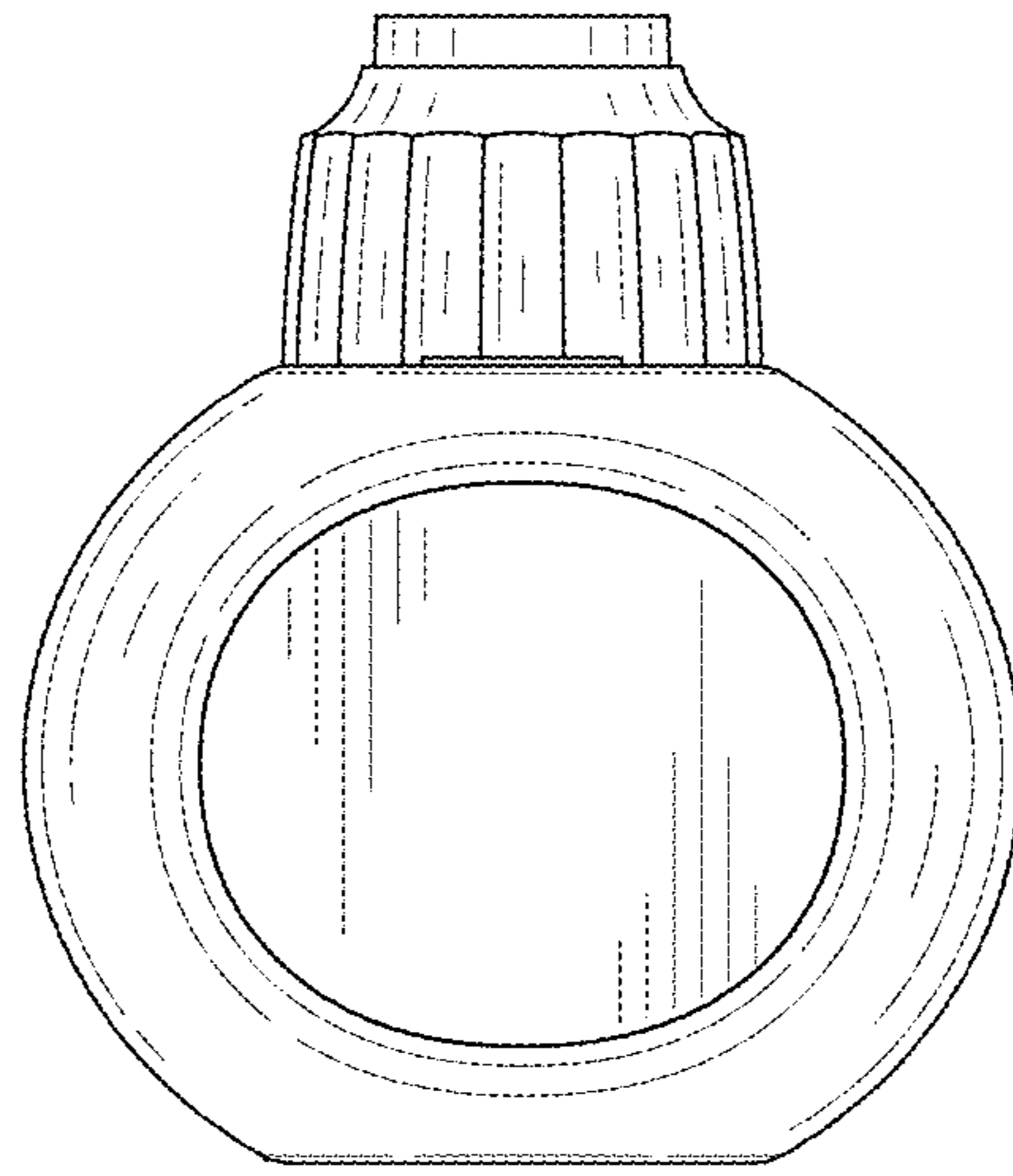


FIG. 8