



US00D948736S

(12) **United States Design Patent**
Deng

(10) **Patent No.:** **US D948,736 S**
(45) **Date of Patent:** **** Apr. 12, 2022**

- (54) **WAX MACHINE**
- (71) Applicant: **Wu Deng**, Jingshan (CN)
- (72) Inventor: **Wu Deng**, Jingshan (CN)
- (**) Term: **15 Years**
- (21) Appl. No.: **29/748,537**
- (22) Filed: **Aug. 31, 2020**
- (51) **LOC (13) Cl.** **28-03**
- (52) **U.S. Cl.**
USPC **D24/200; D28/44.1**
- (58) **Field of Classification Search**
USPC D24/200, 204, 121; D7/323, 391, 354,
D7/538, 629; D9/435, 503, 424, 428,
D9/780; D28/44, 44.1
CPC A61F 7/00; A61F 7/007; A61F 7/0085;
A61F 2007/0001; A61F 2007/0003; A61F
2007/0004; A61F 2007/0024; A61F
2007/0029; A61F 2007/0031; A61F
2007/0039; A61F 2007/0041; A61F
2007/0043; A61F 2007/0219; A47J 36/06;
A61L 9/03; A61L 9/12; F27B 14/12;
H05B 3/00; H05B 3/0052; H05B 3/26;
A61H 33/04; A61H 2033/047
See application file for complete search history.

- 6,303,910 B2 * 10/2001 Glucksman A61H 33/04
219/430
- D479,951 S * 9/2003 Segura D7/608
- 6,756,567 B1 * 6/2004 Suen F27B 17/00
219/424
- D838,859 S * 1/2019 Yu D24/200
- D914,223 S * 3/2021 Wang D24/200
- D914,224 S * 3/2021 Wang D24/200
- D917,710 S * 4/2021 Li D24/200
- D932,641 S * 10/2021 Mo D24/200
- D933,248 S * 10/2021 Liu D24/200

* cited by examiner

Primary Examiner — Wan Laymon

(57) **CLAIM**

The ornamental design for a wax machine, as shown and described.

DESCRIPTION

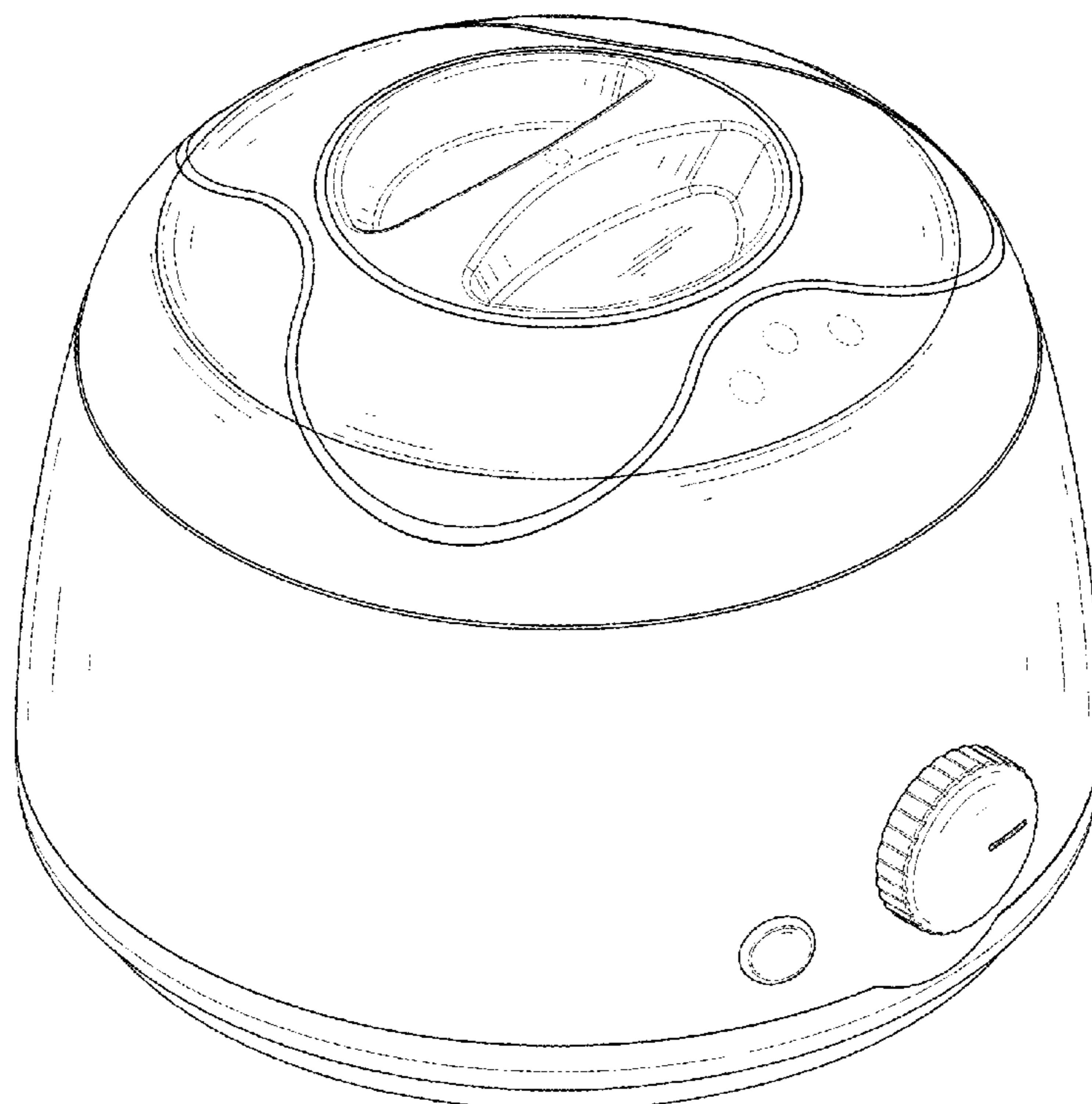
FIG. 1 is a first perspective view of a wax machine showing my new design;
 FIG. 2 is a second perspective view thereof;
 FIG. 3 is a front view thereof;
 FIG. 4 is a back view thereof;
 FIG. 5 is a left side view thereof;
 FIG. 6 is a right side view thereof;
 FIG. 7 is a top view thereof; and,
 FIG. 8 is a bottom view thereof.
 The broken lines, shown in the drawings depict portions of the wax machine in which the design is embodied that form no part of the claimed design.

(56) **References Cited**

U.S. PATENT DOCUMENTS

- 6,184,500 B1 * 2/2001 Glucksman A61H 33/04
219/430
- D442,284 S * 5/2001 Ferber D24/200

1 Claim, 8 Drawing Sheets



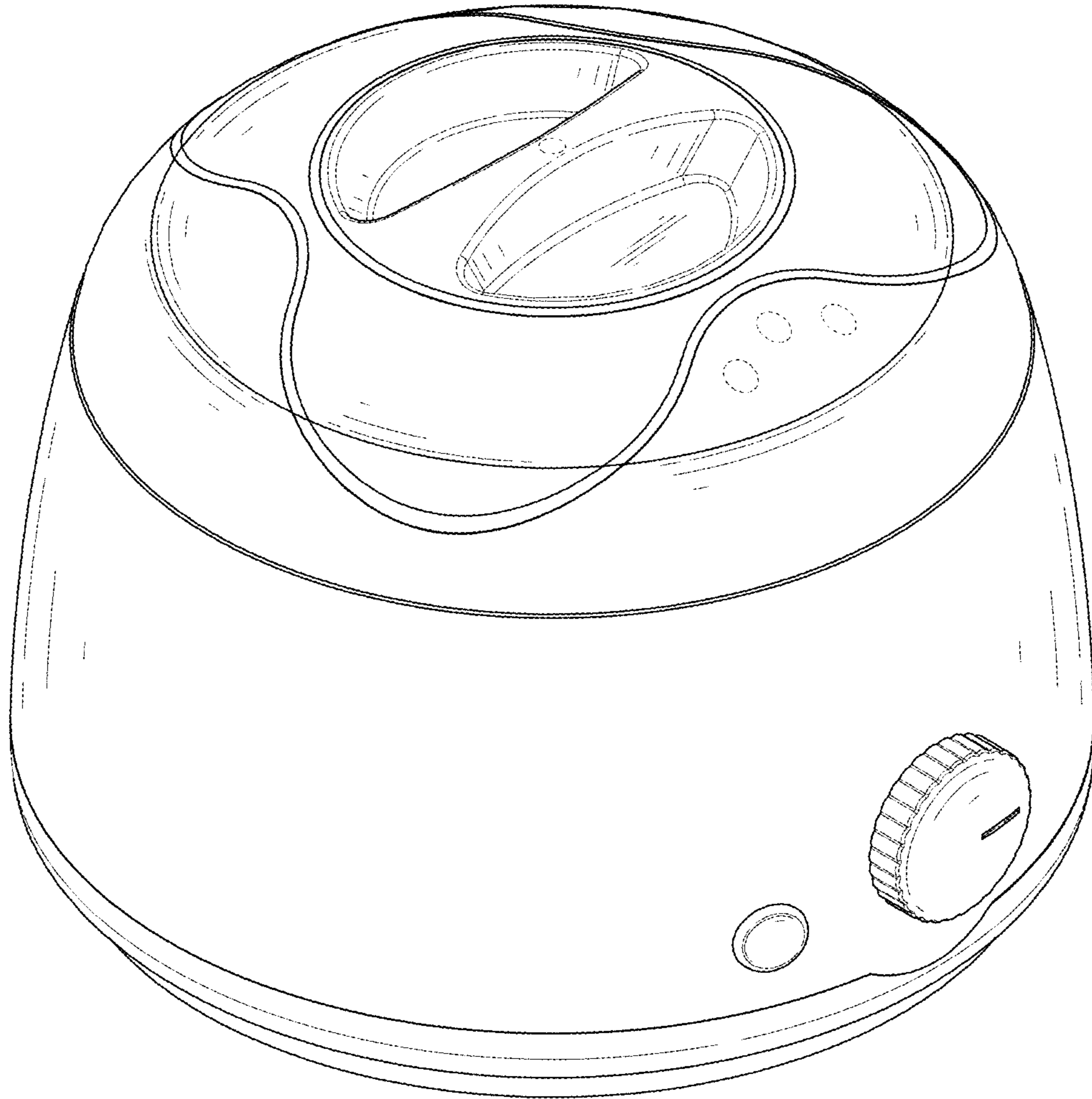


FIG. 1

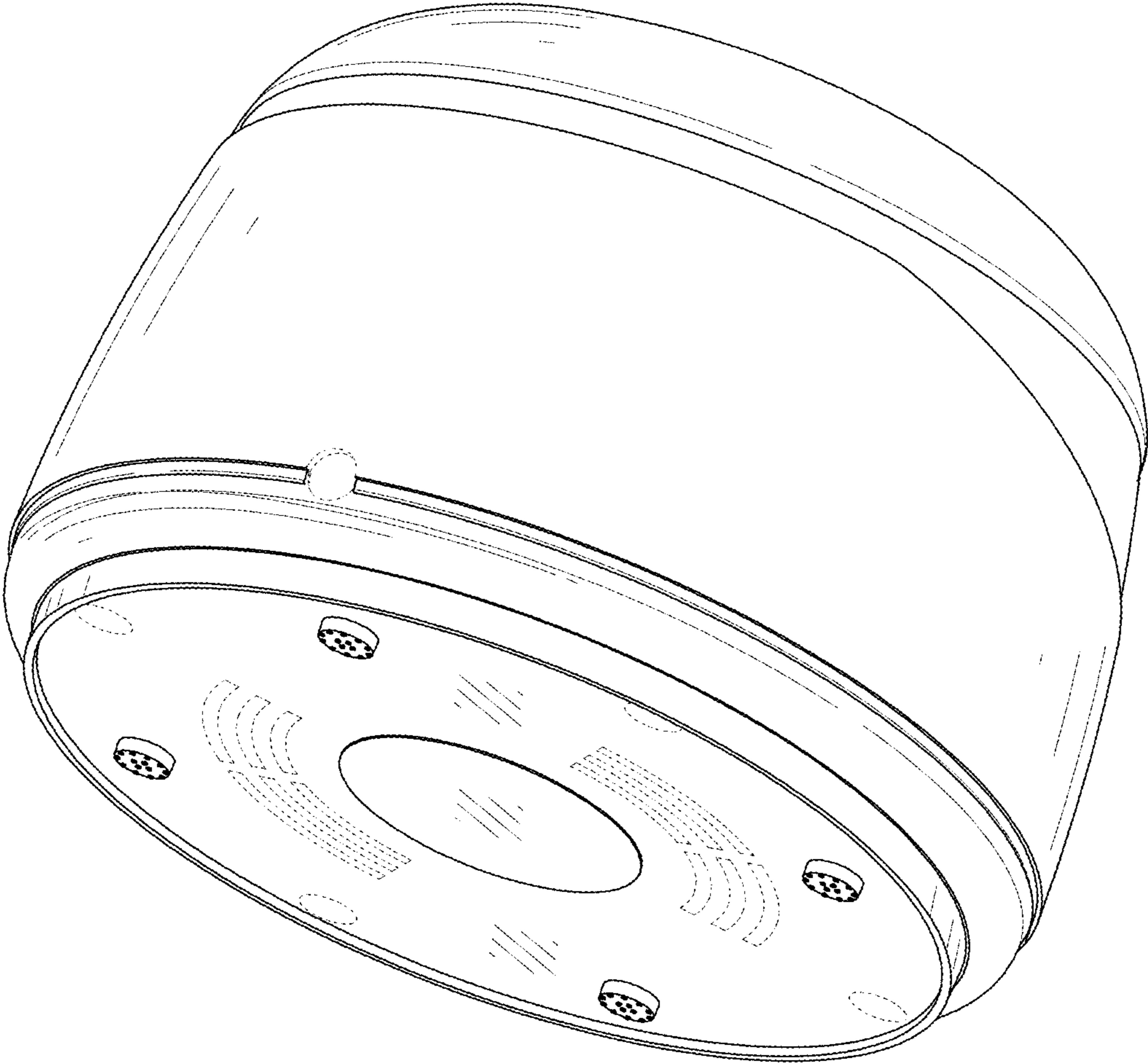


FIG. 2

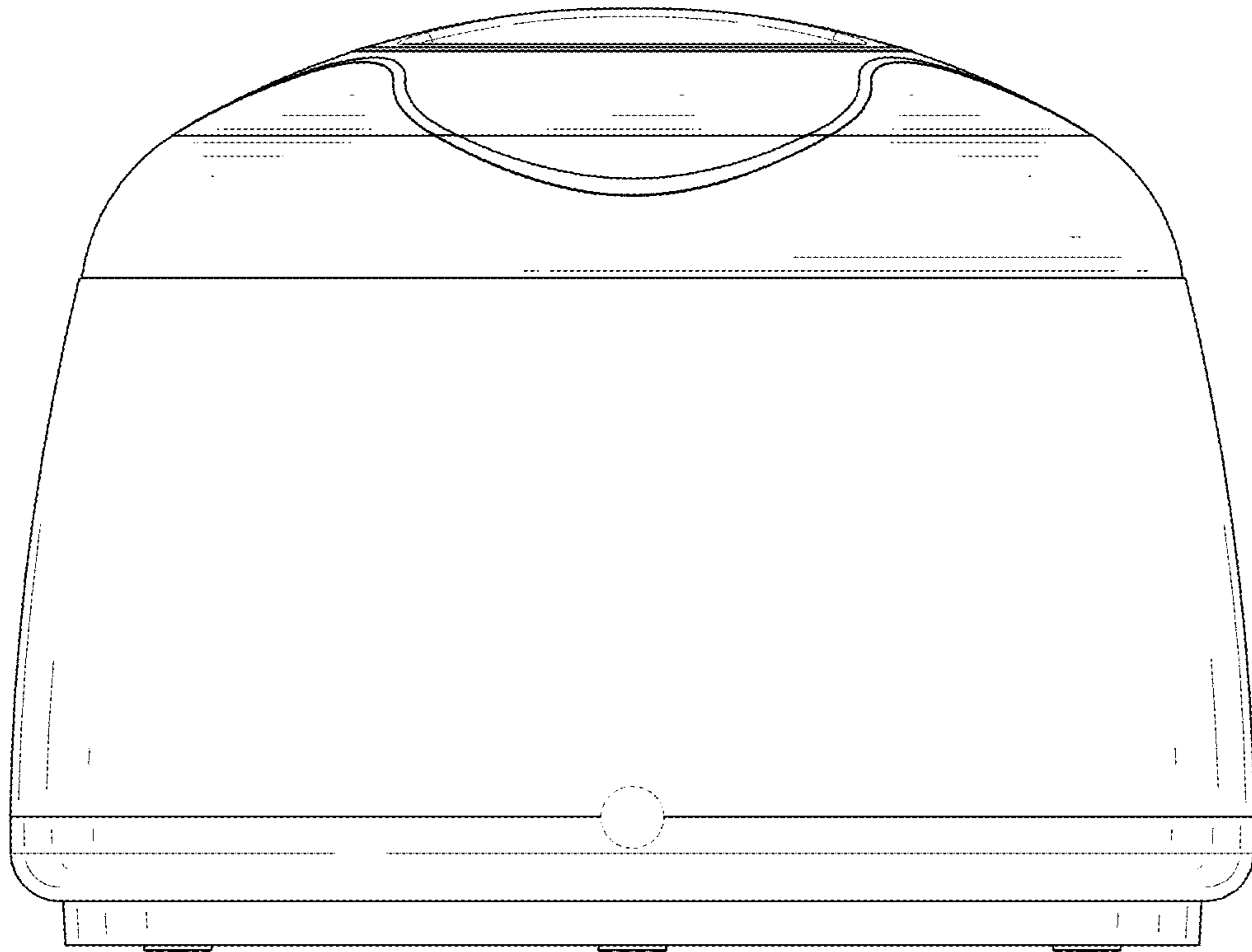


FIG. 3

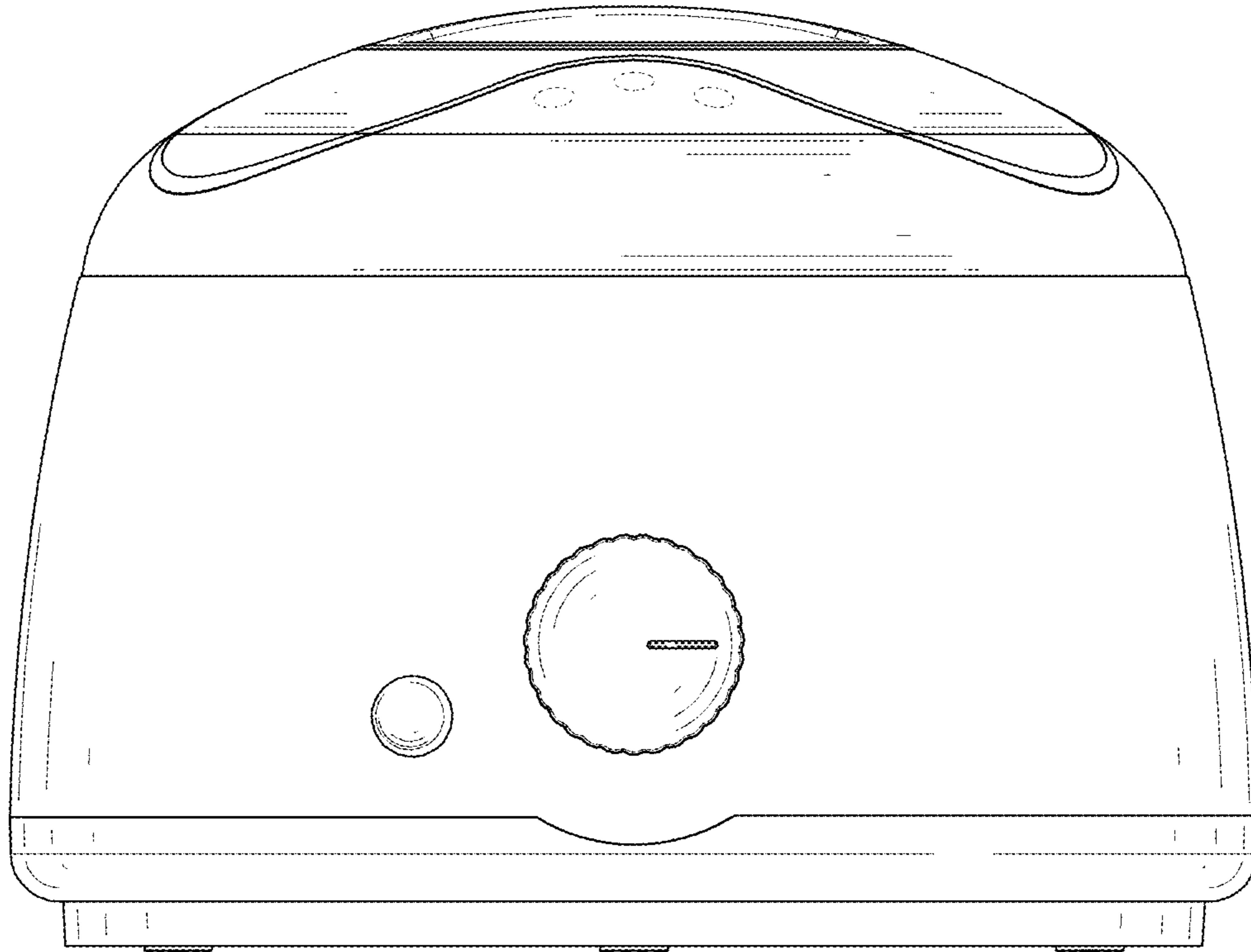


FIG. 4

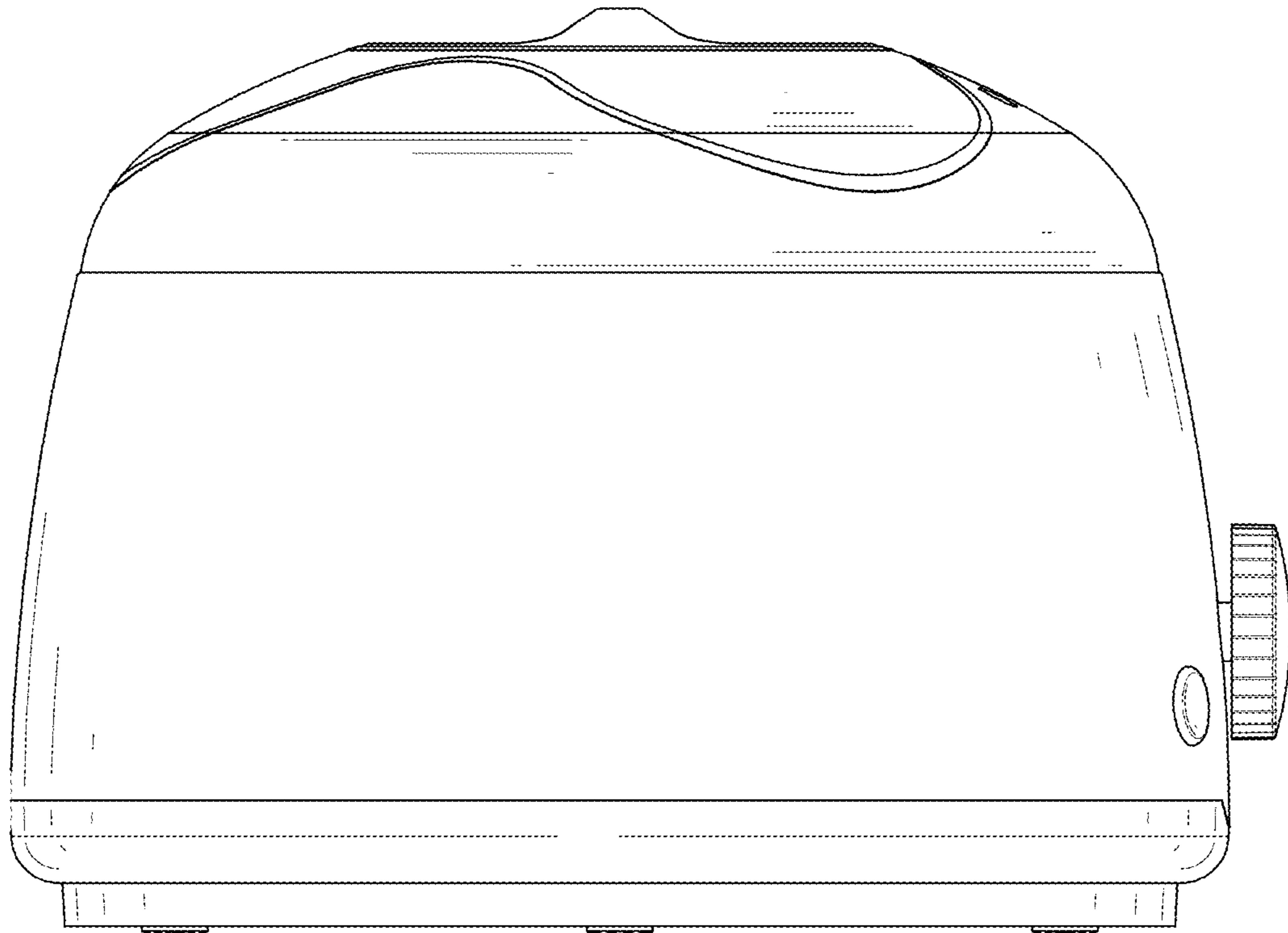


FIG. 5

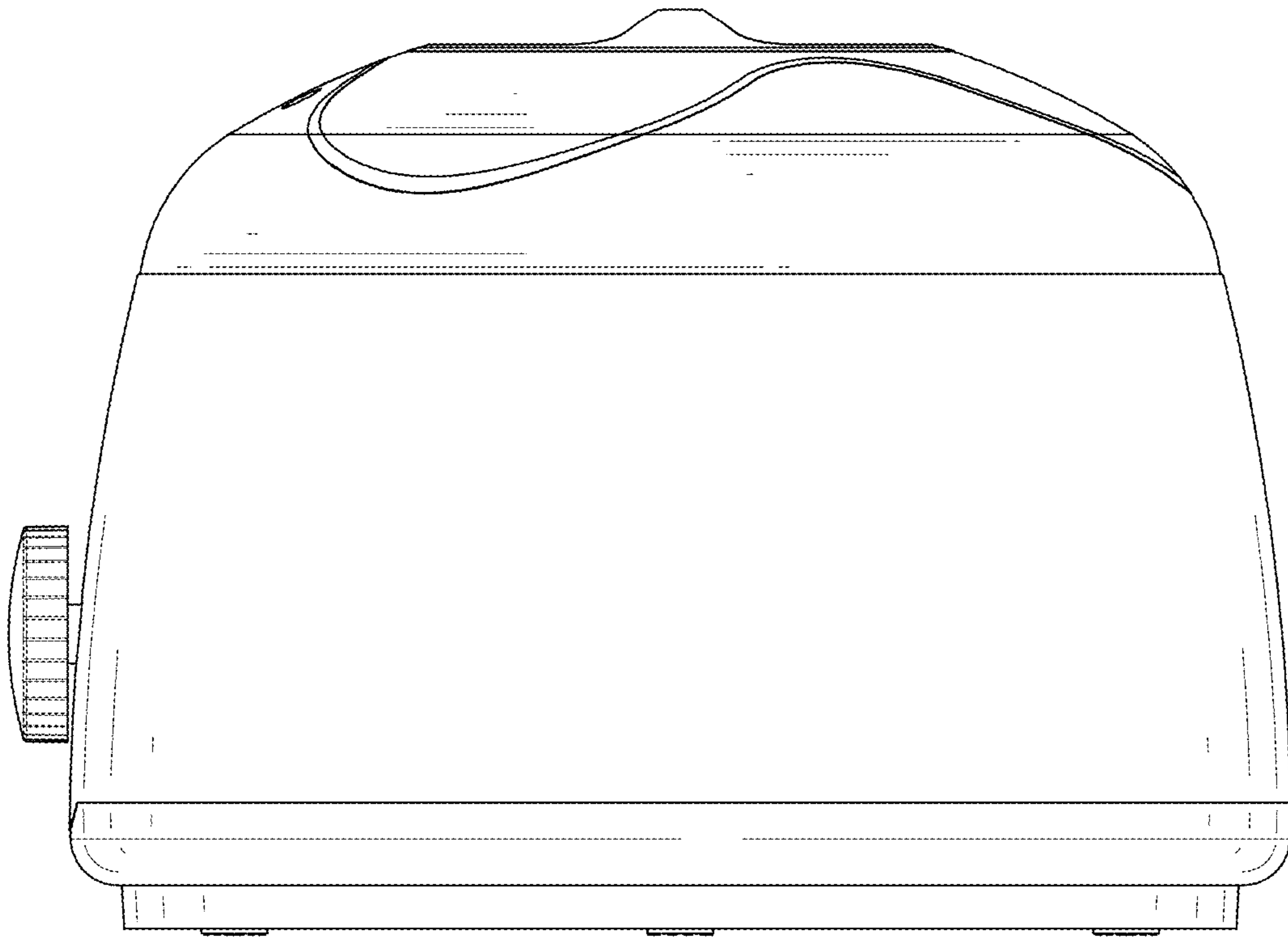


FIG. 6

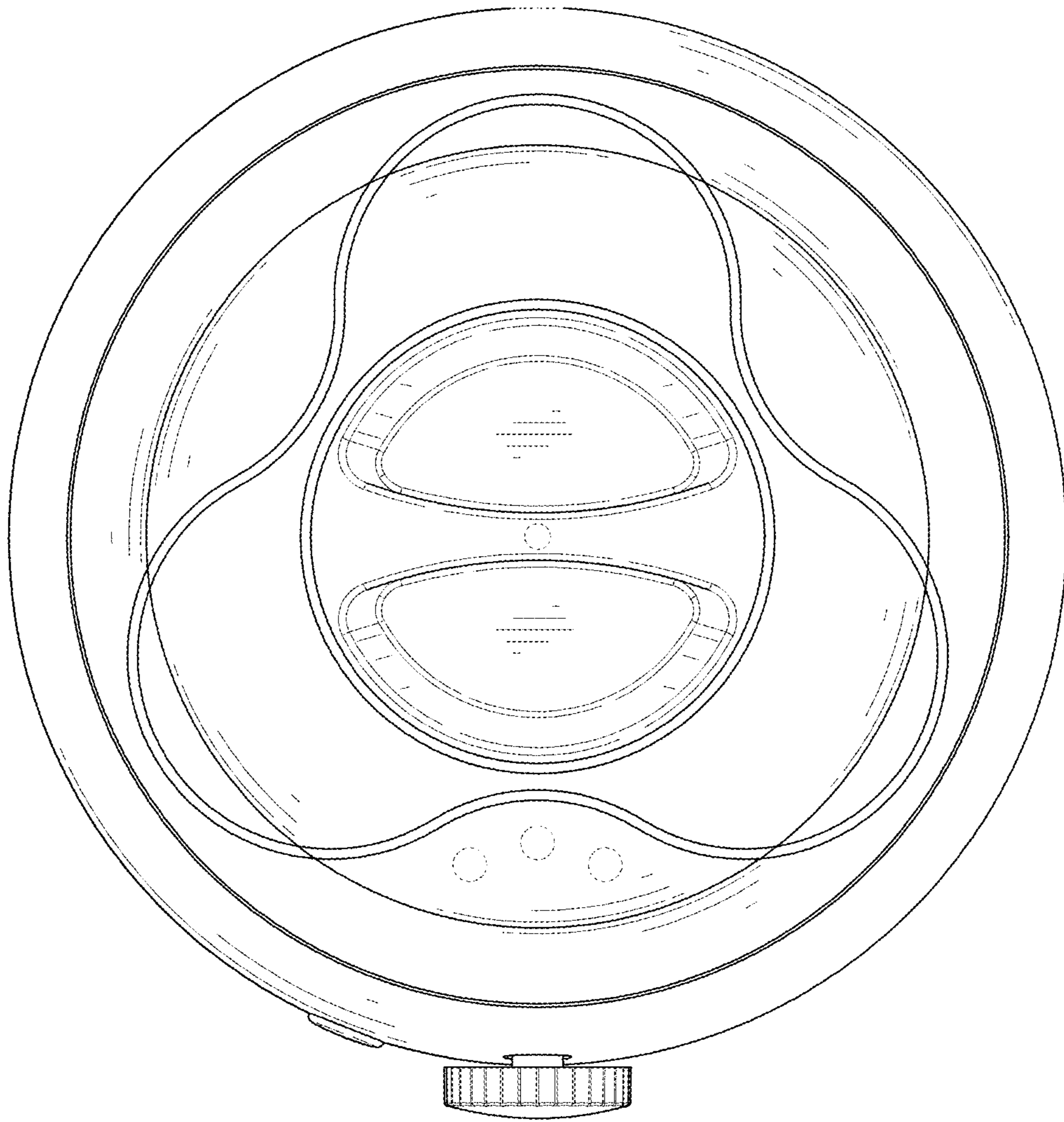


FIG. 7

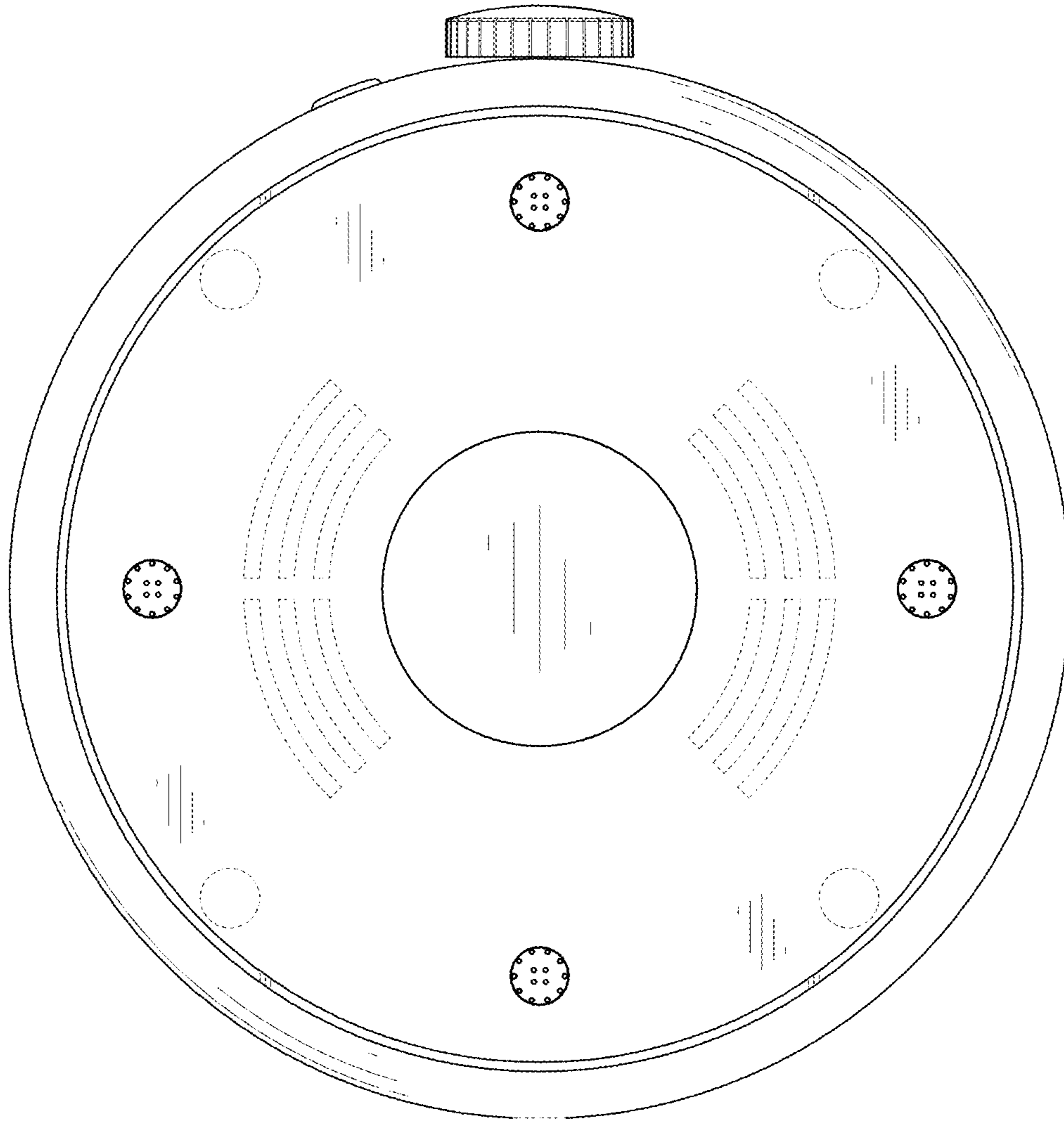


FIG. 8