



US00D948733S

(12) **United States Design Patent** (10) **Patent No.:** **US D948,733 S**  
**Freeman** (45) **Date of Patent:** **\*\* Apr. 12, 2022**

(54) **CHEW TOOL**

(71) Applicant: **Glorified Enterprises USA, LLC,**  
Saint Augustine, FL (US)

(72) Inventor: **Erik Freeman,** Saint Augustine, FL  
(US)

(73) Assignee: **Glorified Enterprises USA, LLC,**  
Saint Augustine, FL (US)

(\*\*) Term: **15 Years**

(21) Appl. No.: **29/736,789**

(22) Filed: **Jun. 3, 2020**

(51) **LOC (13) Cl.** ..... **24-04**

(52) **U.S. Cl.**  
USPC ..... **D24/195**

(58) **Field of Classification Search**  
USPC ..... D24/193, 194, 195, 199, 214; D29/118,  
D29/122; D30/154, 160; D4/104;  
D2/614; D21/576, 584, 596, 604, 611,  
D21/630, 643, 684, 725  
CPC ..... A61J 17/02; A61J 17/001; A61J 17/111;  
A61J 17/1115; A61J 17/1111; A61J  
9/005; A63B 23/032; A46B 15/0097;  
B60N 2/28; B60N 2/26

See application file for complete search history.

(56) **References Cited**

**U.S. PATENT DOCUMENTS**

5,782,868 A \* 7/1998 Moore, Jr. .... A61J 17/02  
606/235  
6,183,333 B1 \* 2/2001 Hall ..... A63H 30/04  
446/154  
D455,186 S \* 4/2002 Koester ..... D21/769  
D636,949 S \* 4/2011 Axelrod ..... D30/160  
D674,494 S \* 1/2013 Roehrig ..... D24/194  
D687,954 S \* 8/2013 Dallman ..... D24/194

D721,439 S \* 1/2015 Swartz ..... D24/194  
D764,673 S \* 8/2016 Guan ..... D24/195  
D930,172 S \* 9/2021 Lowsky ..... D24/195  
D938,053 S \* 12/2021 Xiao ..... D24/194  
2005/0080456 A1 \* 4/2005 Sanbrook ..... A61J 17/02  
606/235  
2006/0102099 A1 \* 5/2006 Edwards ..... A01K 15/026  
119/710  
2014/0243895 A1 \* 8/2014 Kellogg ..... A63H 33/006  
606/235

**OTHER PUBLICATIONS**

“Bebsi: Surfboard Teether”. Found online Jan. 8, 2022 at facebook.com. Reference dated May 30, 2018. Retrieved from <https://www.facebook.com/shopbebsi/photos/a.628002744044850/936453859866402/?>\*

“Munchables: Surfboard Sensory Chew Necklace”. Found online Jan. 8, 2022 at amazon.com. Reference dated Jun. 12, 2020. Retrieved from <https://www.amazon.com/Munchables-Surfboard-Chew-Necklace-Kids/dp/B089QWPNMV/>\*

(Continued)

*Primary Examiner* — Kendra Leslie Hamilton  
(74) *Attorney, Agent, or Firm* — Pete Adams Law, PLLC

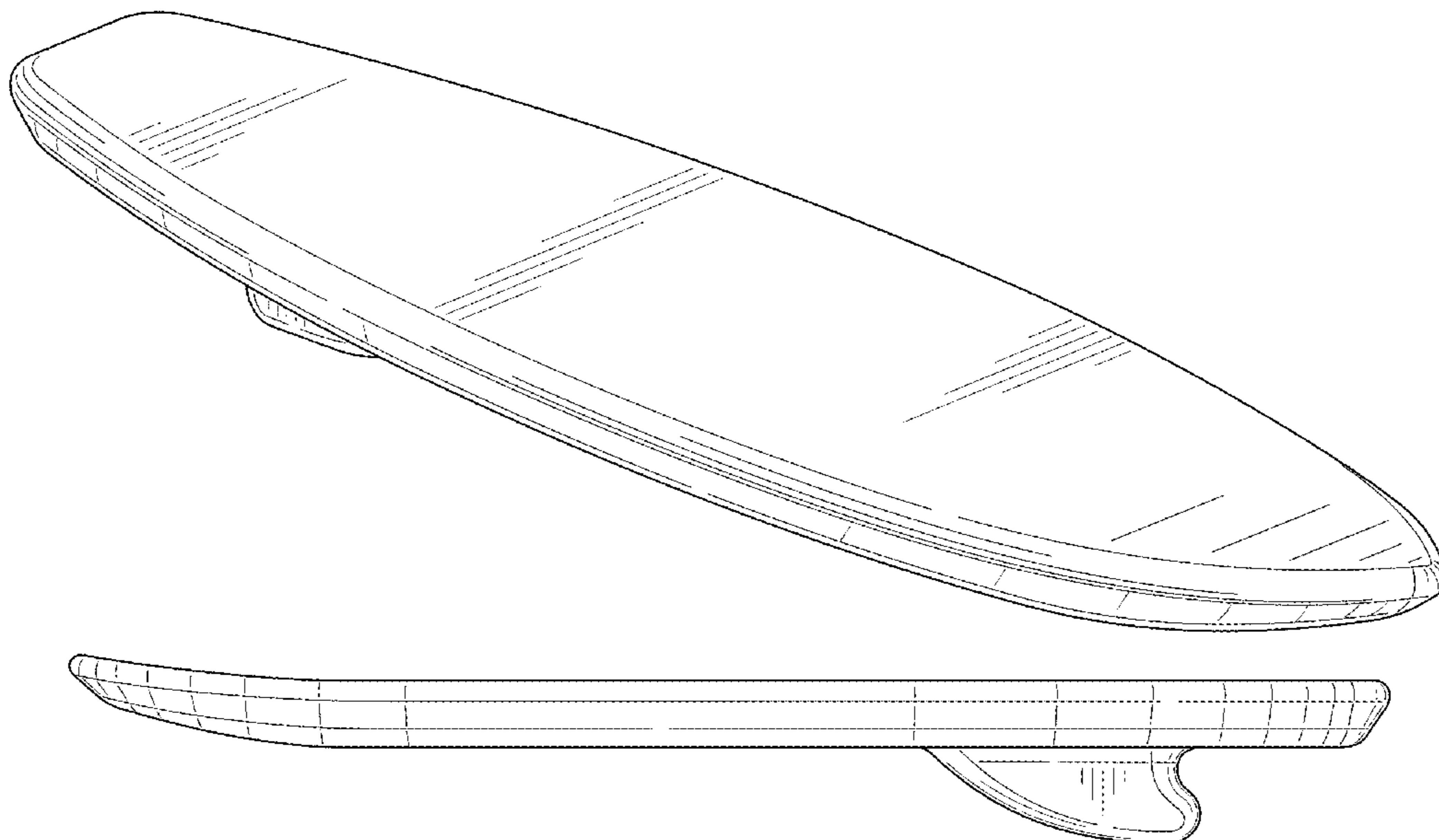
(57) **CLAIM**

The ornamental design for a chew tool, as shown and described.

**DESCRIPTION**

FIG. 1 is a top, front, left perspective view of a chew tool, showing my new design;  
FIG. 2 is a front elevation view thereof;  
FIG. 3 is a rear elevation view thereof;  
FIG. 4 is a right side elevation view thereof;  
FIG. 5 is a left side elevation view thereof;  
FIG. 6 is a top plan view thereof; and,  
FIG. 7 is a bottom plan view thereof.

**1 Claim, 5 Drawing Sheets**



(56)

**References Cited**

OTHER PUBLICATIONS

“Rusty Surfboards: ‘Chew Toy’ Surfboard”. Found online Jan. 8, 2022 at [rustysurfboards.com](https://rustysurfboards.com). Reference dated Jan. 12, 2017. Retrieved from <https://rustysurfboards.com/products/chew-toy>.\*

“MTouch: Blue Dolphin Silicone Chew”. Found online May 11, 2021 at [amazon.com](https://www.amazon.com). Reference dated Oct. 29, 2015. Retrieved from <https://www.amazon.com/Blue-Dolphin-Silicone-Chew-Necklaces/dp/B011JR391O?th=1>.\*

\* cited by examiner

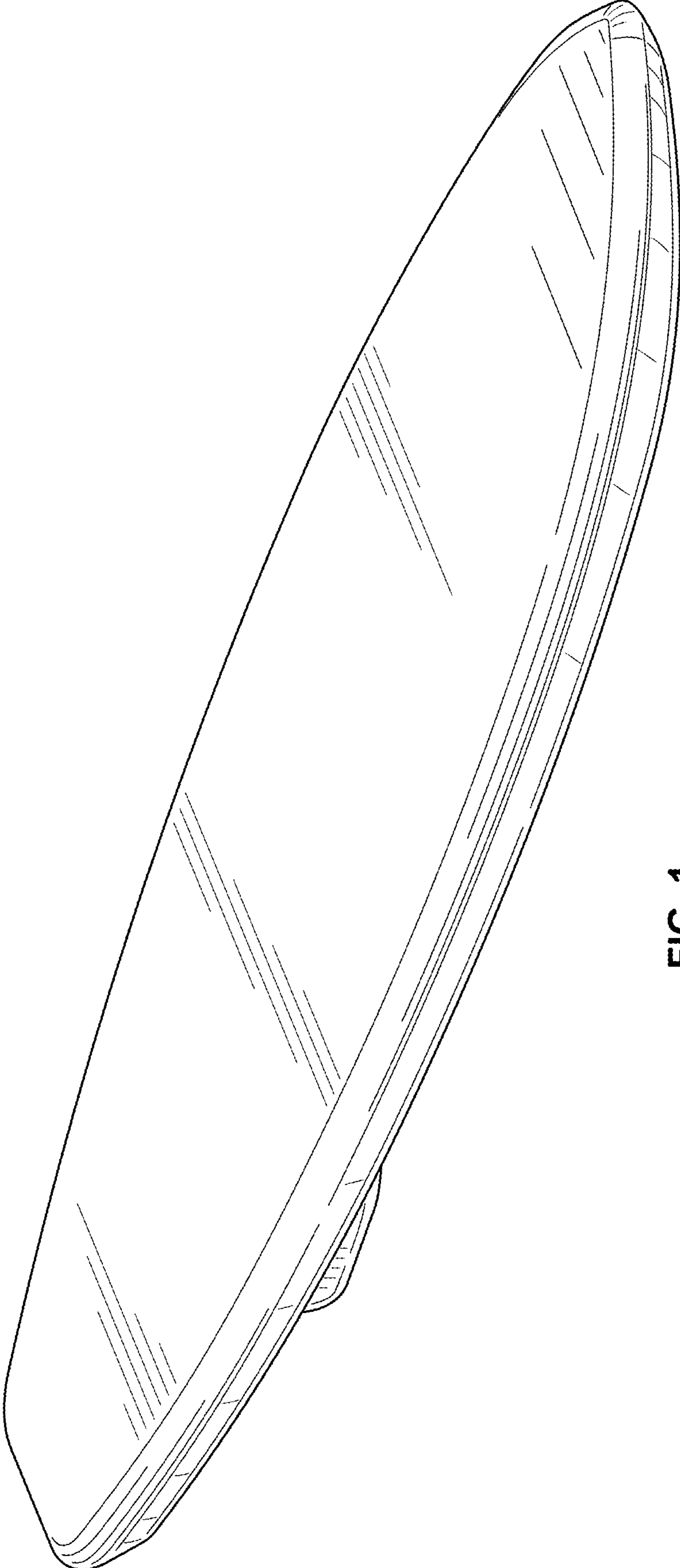


FIG. 1

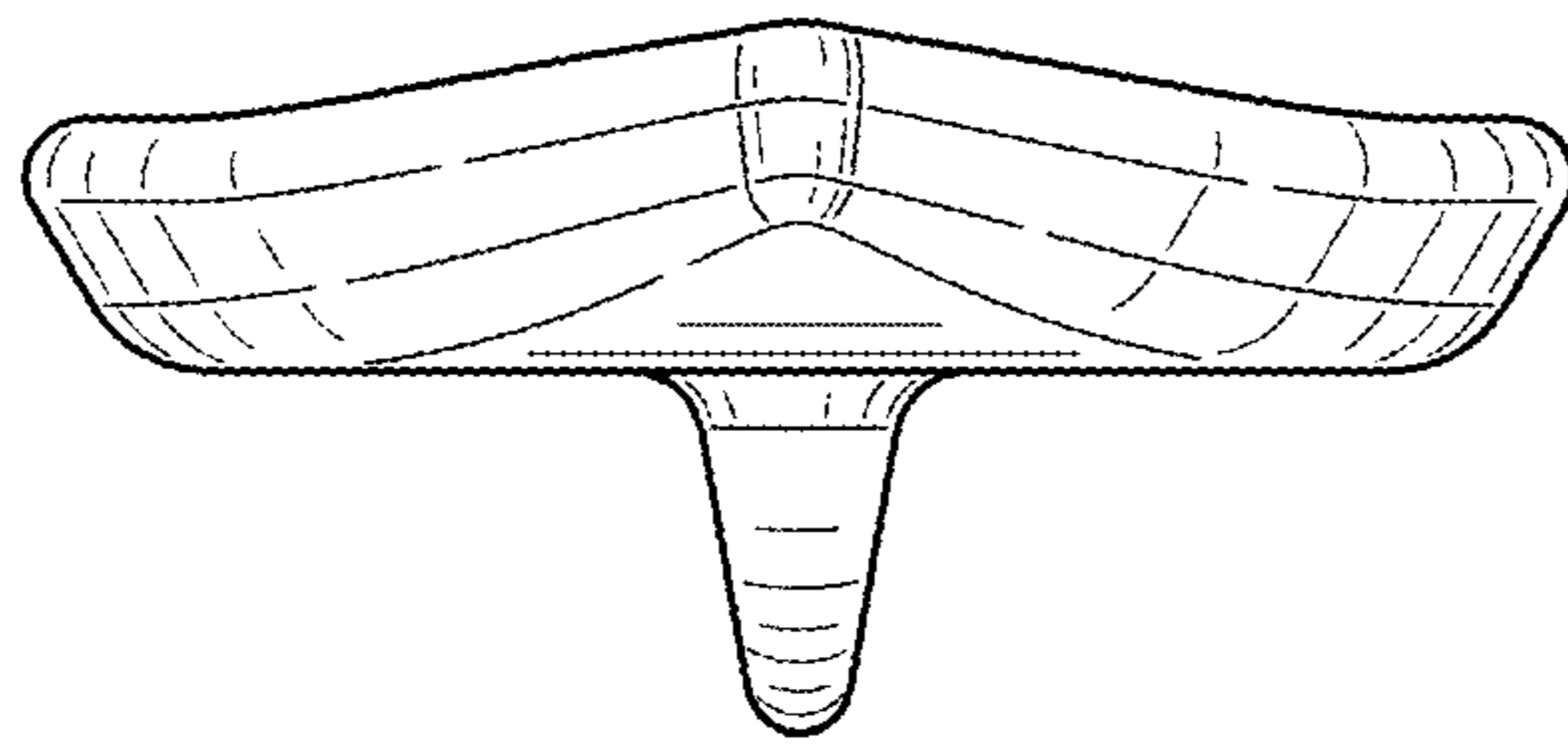


FIG. 2

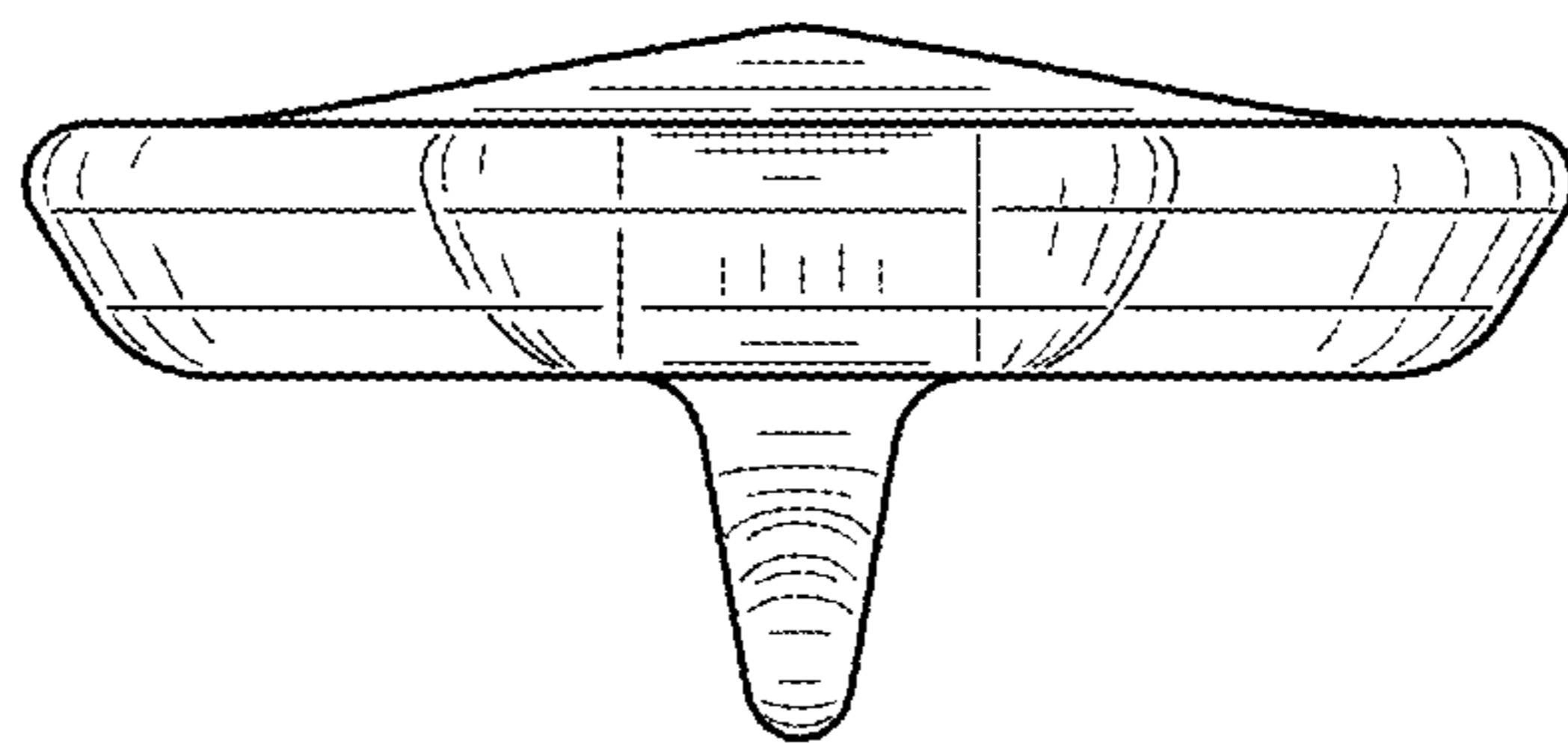


FIG. 3

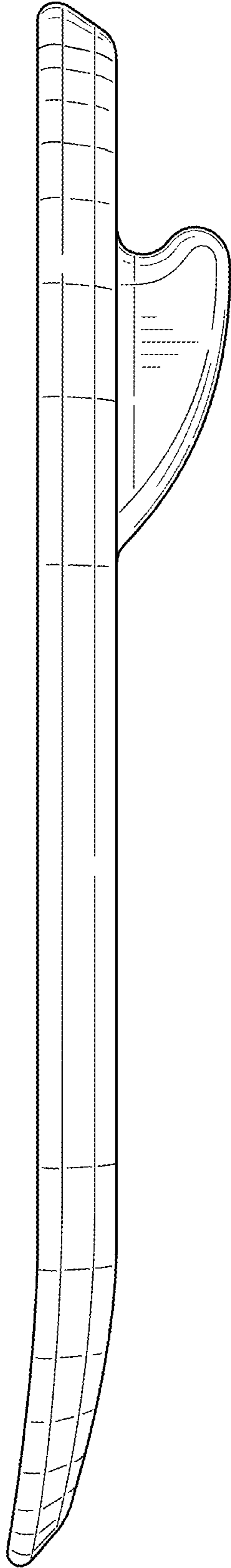


FIG. 4

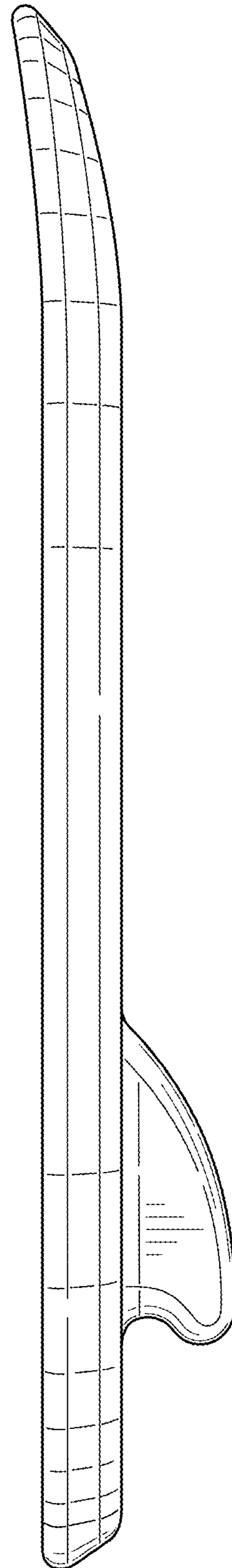


FIG. 5

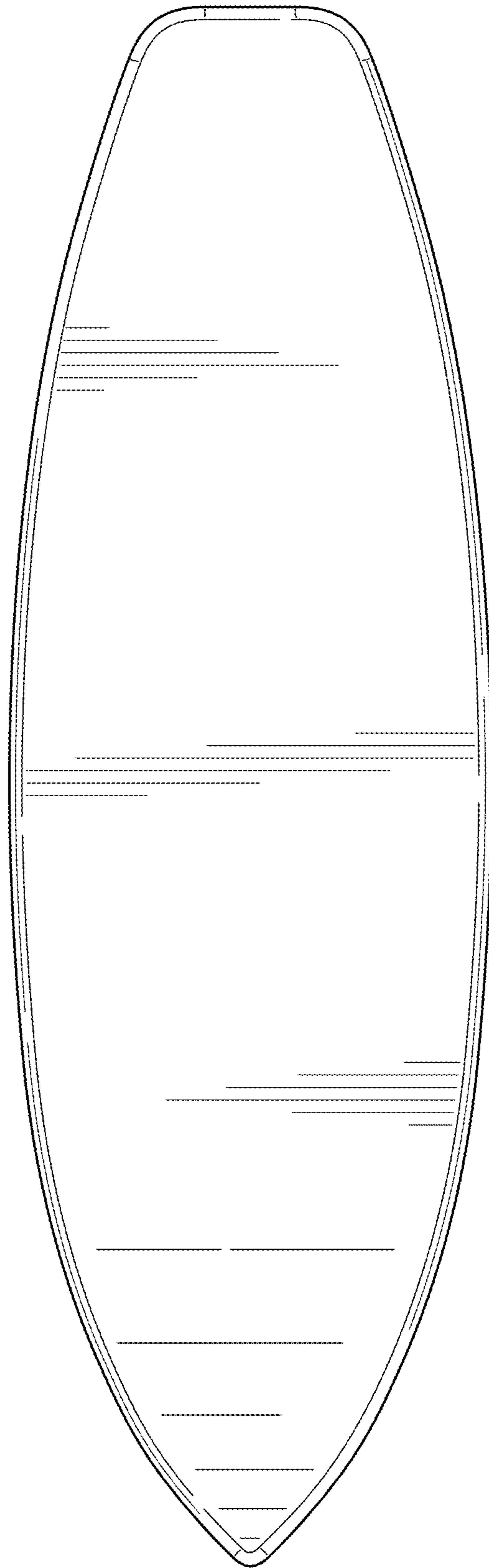


FIG. 6

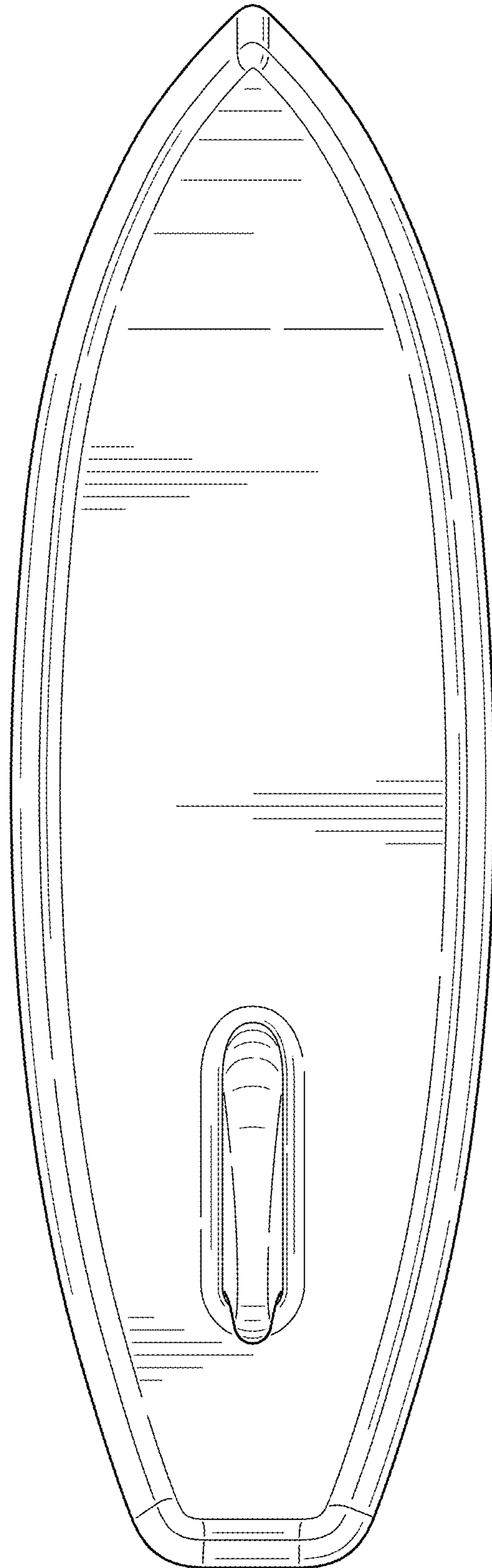


FIG. 7