



US00D948731S

(12) **United States Design Patent**  
**Li et al.**

(10) **Patent No.:** **US D948,731 S**  
(45) **Date of Patent:** **\*\* Apr. 12, 2022**

- (54) **CALF WRAP**
- (71) Applicant: **MUELLER SPORTS MEDICINE, INC.**, Prairie du Sac, WI (US)
- (72) Inventors: **Zhaodong Max Li**, Lodi, WI (US);  
**Kayla Daken**, Prairie du Sac, WI (US);  
**Michael R. Schmidt**, Milwaukee, WI (US)
- (73) Assignee: **Mueller Sports Medicine, Inc.**, Prairie du Sac, WI (US)
- (\*\*) Term: **15 Years**
- (21) Appl. No.: **29/684,778**
- (22) Filed: **Mar. 24, 2019**
- (51) **LOC (13) Cl.** ..... **24-01**
- (52) **U.S. Cl.**  
USPC ..... **D24/190**
- (58) **Field of Classification Search**  
USPC ..... D24/188-192; D29/120.1, 121.1  
CPC ..... A61F 5/0109; A61F 2005/0176; A61F 5/0106; A61F 5/0123; A61F 13/101; A61F 5/0118; A61F 13/08; A61F 13/06; A61F 5/0125; A41D 13/065; A41D 13/08; A41D 13/0568  
See application file for complete search history.

- 7,749,179 B2 \* 7/2010 Hargrave ..... A61F 5/3738  
602/4
- D626,241 S \* 10/2010 Sagnip ..... D24/190
- D626,245 S \* 10/2010 Sagnip ..... D24/190
- D717,453 S \* 11/2014 Mahtani ..... D24/190
- D731,069 S \* 6/2015 Bialek ..... D24/190
- D757,287 S \* 5/2016 Chen ..... D24/215
- D802,154 S \* 11/2017 Ceccarelli ..... D24/190

(Continued)

*Primary Examiner* — Jennifer L Watkins  
(74) *Attorney, Agent, or Firm* — Rick L. Abegglen

(57) **CLAIM**

We claim the ornamental design for a calf wrap, as shown and described.

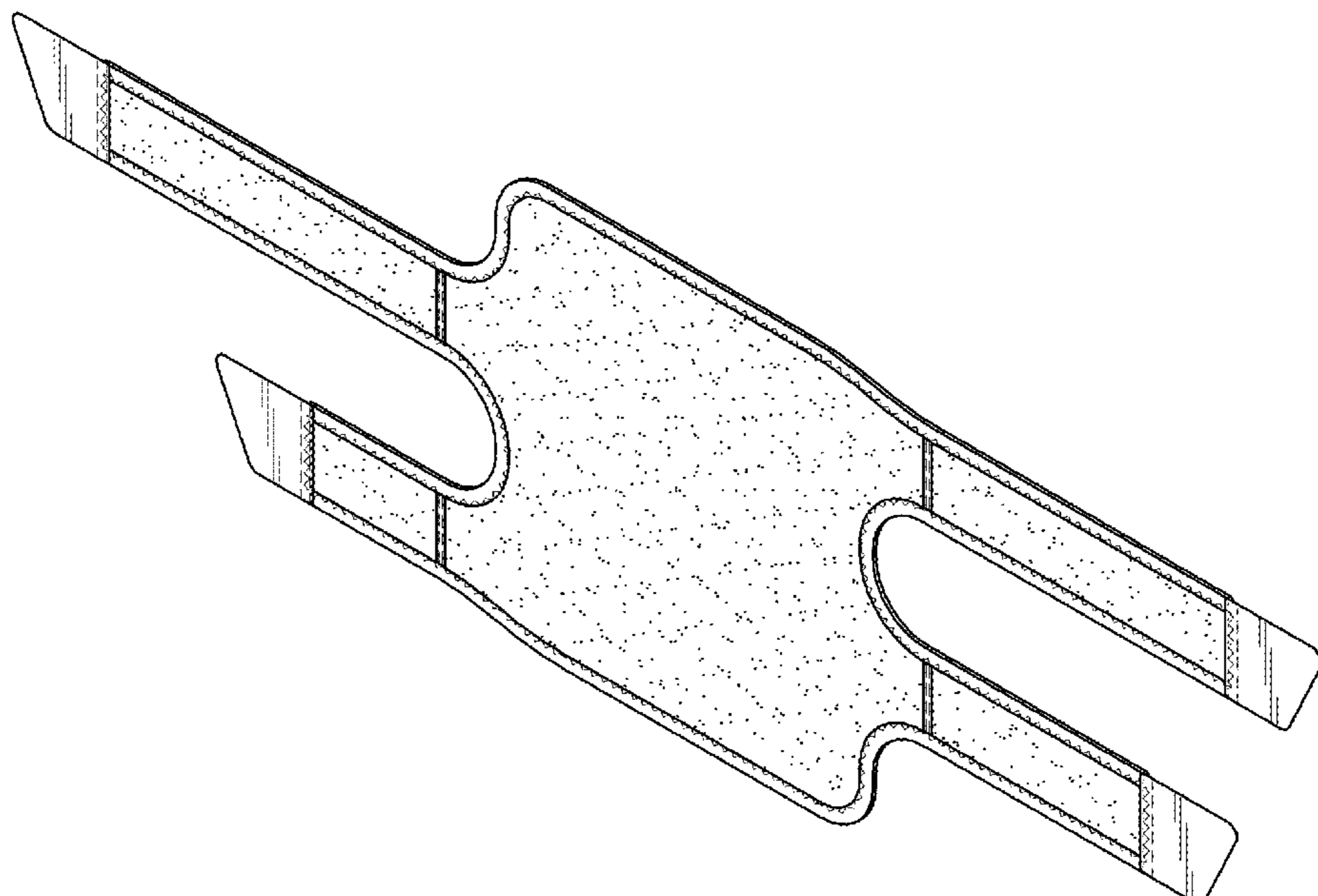
**DESCRIPTION**

FIG. 1 is a perspective view of our new design in a calf wrap, laid out flat;  
 FIG. 2 is a front view of the calf wrap of FIG. 1, laid out flat;  
 FIG. 3 is a bottom view of the calf wrap of FIG. 1, laid out flat;  
 FIG. 4 is a back view of the calf wrap of FIG. 1, laid out flat;  
 FIG. 5 is a top view of the calf wrap of FIG. 1, laid out flat;  
 FIG. 6 is a right view of the calf wrap of FIG. 1, laid out flat;  
 FIG. 7 is a left view of the calf wrap of FIG. 1, laid out flat;  
 FIG. 8 is a front left perspective view of new design in a calf wrap, as configured when applied to the lower leg of a person; and,  
 FIG. 9 is a rear right perspective view of new design in a calf wrap, as configured when applied to the lower leg of a person.

The evenly dashed broken lines on claimed surfaces depict stitching and form no part of the claim. The evenly dashed broken lines adjacent structure with no surface shading depict portions of the calf wrap and form no part of the claim.

**1 Claim, 5 Drawing Sheets**

- (56) **References Cited**  
U.S. PATENT DOCUMENTS
- D239,981 S \* 5/1976 Arluck et al. .... D24/190
- D403,775 S \* 1/1999 Davis ..... D24/190
- D405,884 S \* 2/1999 Roper ..... D24/190
- D437,643 S \* 2/2001 Davis ..... D24/190
- D444,879 S \* 7/2001 Rodgers ..... D24/192
- D494,324 S \* 8/2004 Mundy ..... D29/121.1
- D515,217 S \* 2/2006 Machin ..... D24/192



(56)

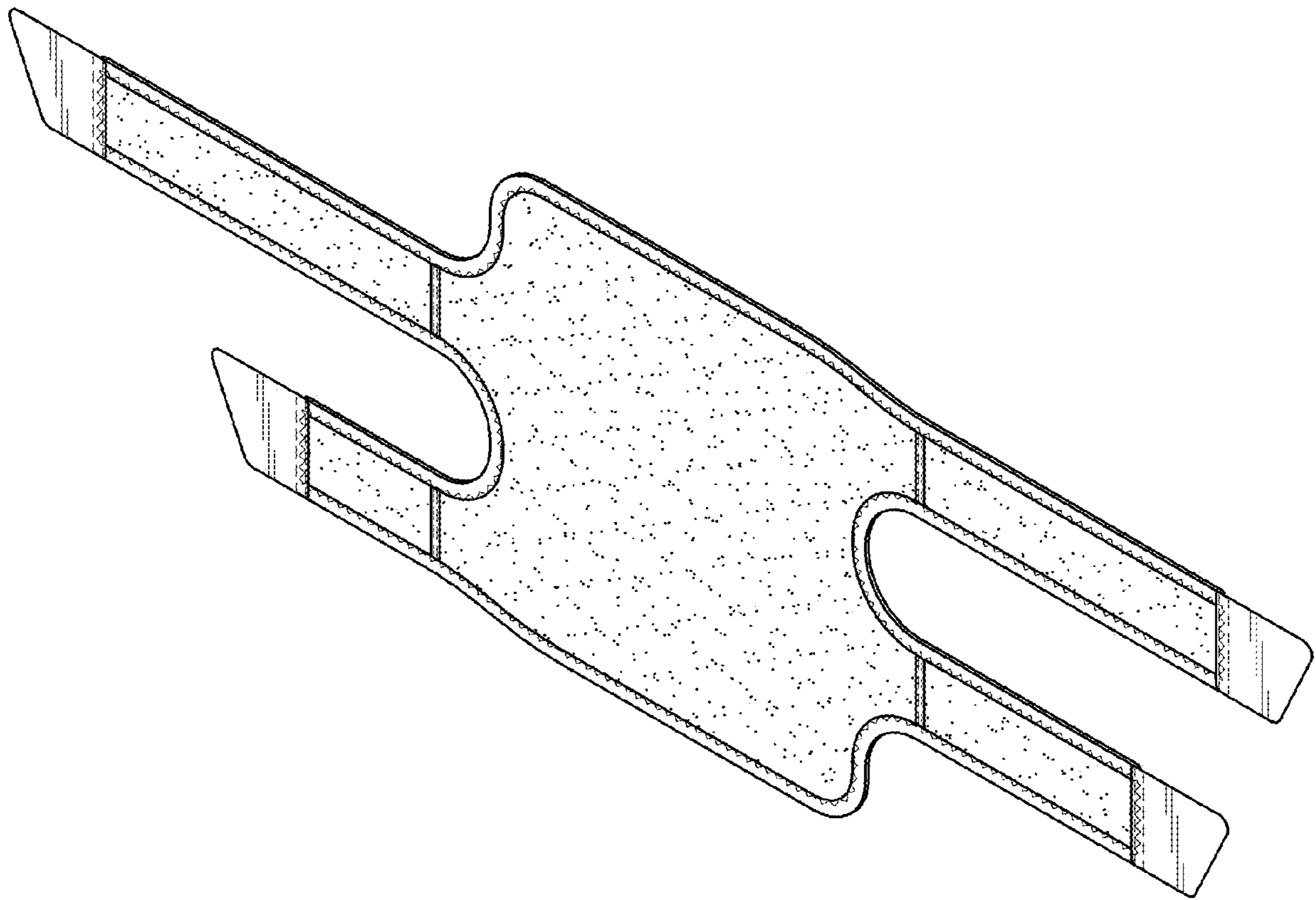
**References Cited**

U.S. PATENT DOCUMENTS

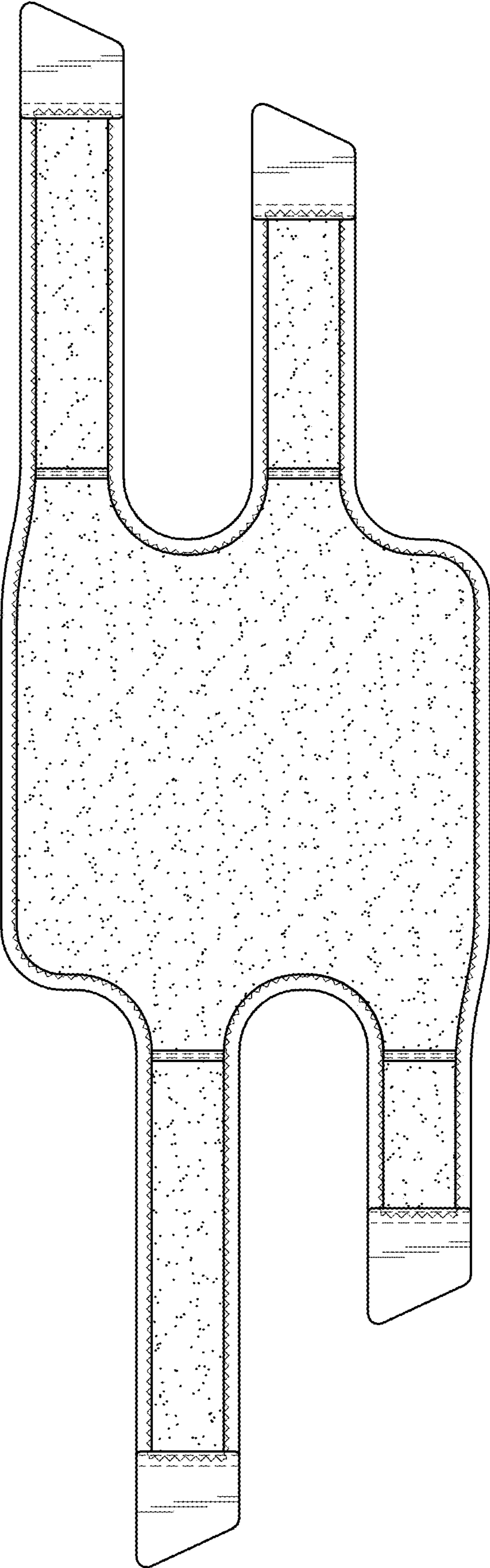
D874,660 S \* 2/2020 Cox ..... D24/190  
D917,789 S \* 4/2021 Li ..... D29/120.1  
2008/0103422 A1\* 5/2008 Perry ..... A61H 9/0078  
601/150  
2010/0081975 A1\* 4/2010 Avitable ..... A61F 13/08  
601/152  
2012/0010546 A1\* 1/2012 Sotereanos ..... A61F 5/0118  
602/4  
2014/0358055 A1\* 12/2014 Mueller ..... A61F 5/0118  
602/20  
2015/0290013 A1\* 10/2015 Mueller ..... A61F 5/0106  
602/26  
2016/0000612 A1\* 1/2016 Cox ..... A61H 1/008  
602/62

\* cited by examiner

*FIG. 1*



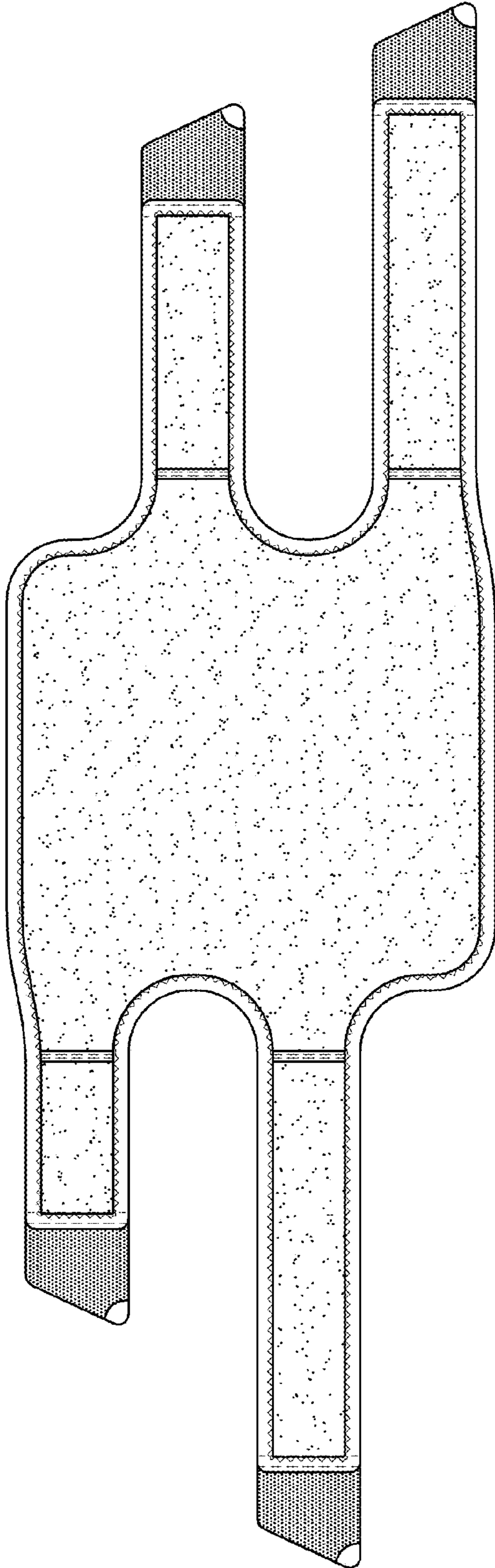
**FIG. 2**



**FIG. 3**



**FIG. 4**



**FIG. 5**



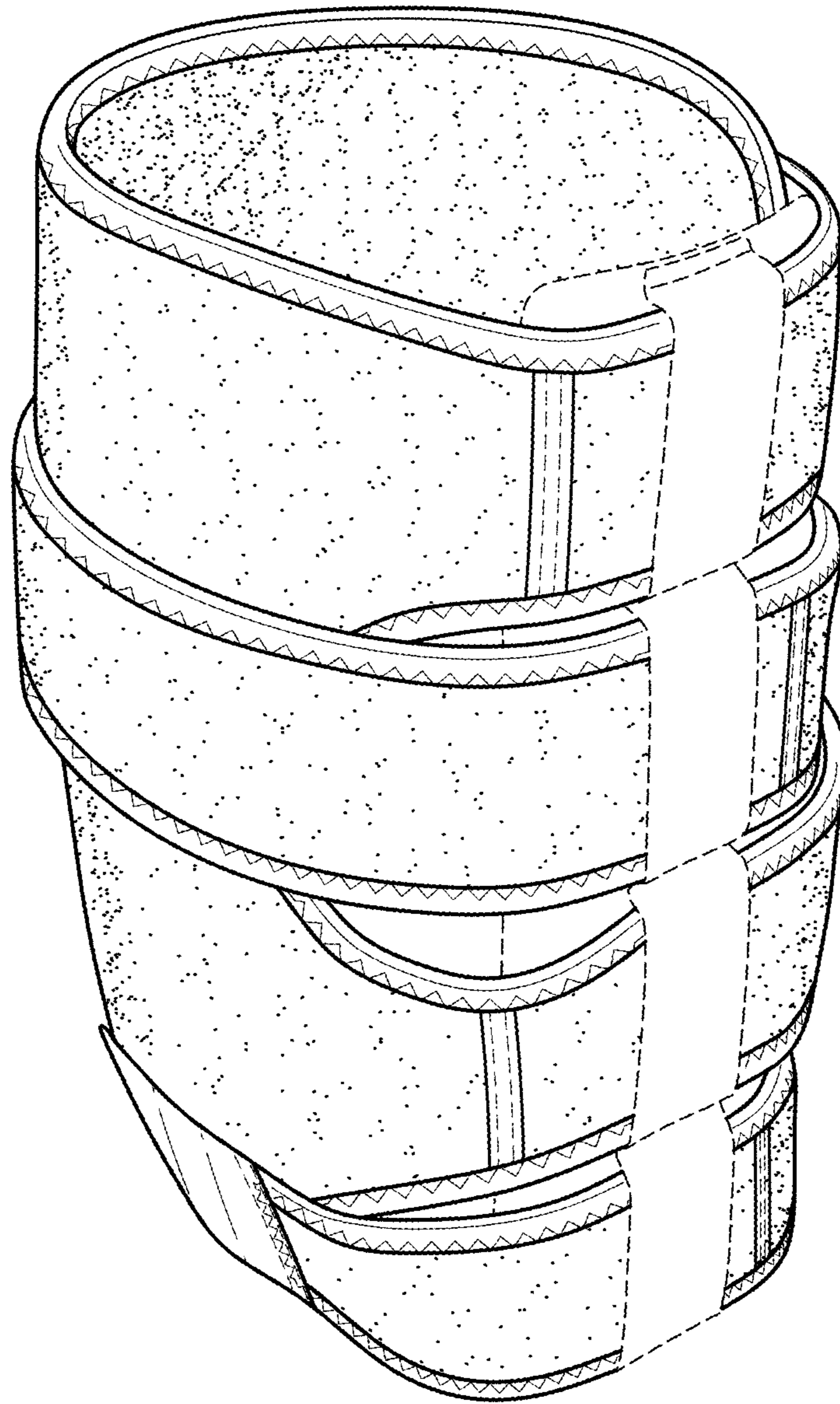
**FIG. 6**



**FIG. 7**



**FIG. 8**



**FIG. 9**

