



US00D948730S

(12) **United States Design Patent** (10) **Patent No.:** **US D948,730 S**
Hitschmann et al. (45) **Date of Patent:** **** Apr. 12, 2022**

(54) **MEDICAL DRESSING**

D403,085 S * 12/1998 Current D25/123
D454,955 S * 3/2002 Dunshee D24/189
6,685,682 B1 2/2004 Heinecke

(71) Applicant: **3M INNOVATIVE PROPERTIES COMPANY**, Saint Paul, MN (US)

(Continued)

(72) Inventors: **Guido Hitschmann**, Neuss (DE);
Benjamin Vollmann, Recklinghausen (DE); **Richard L. Jacobson**, Stillwater, MN (US); **Daniel Dawidowski**, Unna (DE)

FOREIGN PATENT DOCUMENTS

CN 305613052 * 2/2020
WO WO 2010-036543 4/2010
WO WO 2010-056541 5/2010

(73) Assignee: **3M Innovative Properties Company**, St. Paul, MN (US)

OTHER PUBLICATIONS

3M Tegaderm Transparent Film Dressing with Border, 4 x 4.75", 3M, Carewell caregivers shop, [Post date unknown], [Site seen Nov. 24, 2021], Seen at URL: https://www.carewell.com/product/3m-tegaderm-transparent-film-dressing-with-border-4-x-4-75/?sku=1616-BX50&g_network=u&g_productchannel=o%E2%80%A6 (Year: 2021).*

(**) Term: **15 Years**

Primary Examiner — Natasha Vujcic
Assistant Examiner — Gilbert B Ford

(21) Appl. No.: **29/741,846**

(74) *Attorney, Agent, or Firm* — Trisha D. Adamson; Qiang Han

(22) Filed: **Jul. 16, 2020**

(51) **LOC (13) Cl.** **24-02**

(52) **U.S. Cl.**
USPC **D24/189**; D24/188

(58) **Field of Classification Search**
USPC D24/124–125, 132, 188–189, 199, 200, D24/206, 209, 210; D29/100, 108, 121.1, D29/121.2

CPC A61F 13/023; A61F 15/008; A61F 15/004; A61F 2013/00646; A61M 2025/0246

See application file for complete search history.

(57) **CLAIM**

We claim, the ornamental design for a medical dressing, as shown and described.

DESCRIPTION

FIG. 1 is a perspective view showing the new design for a medical dressing;

FIG. 2 is a top view thereof;

FIG. 3 is a bottom view thereof;

FIG. 4 is a right side view thereof;

FIG. 5 is a left side view thereof;

FIG. 6 is a front side view thereof; and,

FIG. 7 is a rear side view thereof.

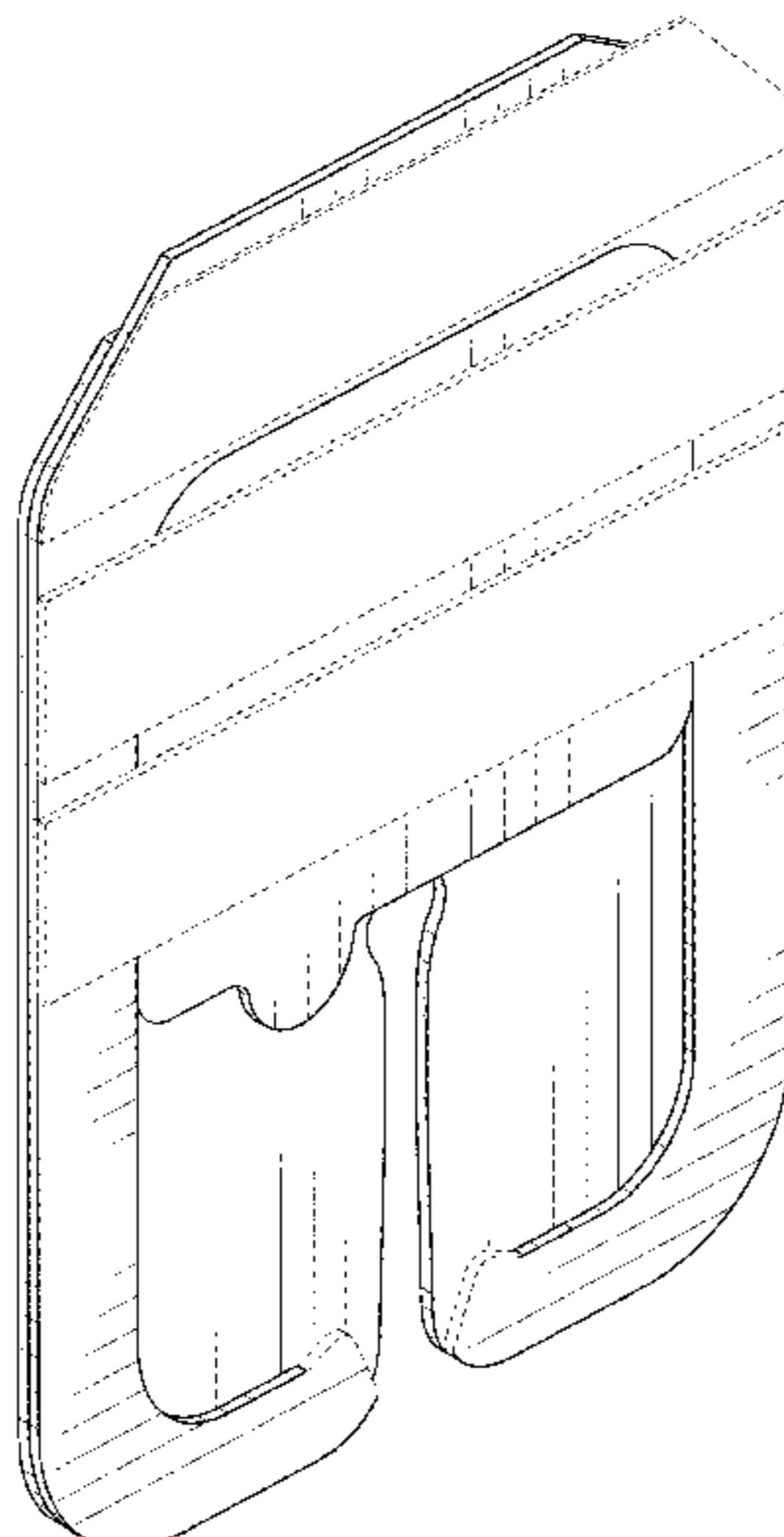
The surface shading and broken lines in the drawings illustrate portions of the medical dressing form no part of the claimed design.

(56) **References Cited**

U.S. PATENT DOCUMENTS

RE24,906 E	12/1960	Ulrich	
3,389,027 A	6/1968	Thomas	
3,645,835 A	2/1972	Hodgson	
4,112,213 A	9/1978	Waldman	
4,310,509 A	1/1982	Berglund	
4,323,537 A	4/1982	Mody	
4,395,001 A	7/1983	Stone	
4,472,480 A	9/1984	Olson	
4,595,001 A	6/1986	Potter	
4,737,410 A	4/1988	Kantner	
D359,820 S *	6/1995	Thumb 2/2.5
D371,034 S *	6/1996	Rashid D10/81

1 Claim, 5 Drawing Sheets



(56)

References Cited

U.S. PATENT DOCUMENTS

6,893,655	B2	5/2005	Flanigan	
D679,403	S *	4/2013	Heinecke	D24/189
D690,425	S *	9/2013	Heinecke	D24/189
D713,048	S *	9/2014	Ogaki	D24/200
D783,840	S *	4/2017	Counts	D24/189
D790,714	S *	6/2017	Addison	D24/189
D804,677	S *	12/2017	Ramires	D24/189
D808,026	S *	1/2018	Moore	D24/189
D834,201	S *	11/2018	Heinecke	D24/189
D852,368	S *	6/2019	Ricks	D24/189
D875,953	S *	2/2020	Wang	D24/189
D921,205	S *	6/2021	Borisov	D24/189
D922,793	S *	6/2021	Lai	D6/571
D923,182	S *	6/2021	Borisov	D24/189
D925,045	S *	7/2021	Thomas	D24/189
2008/0063695	A1 *	3/2008	Vitaris	A61F 13/023 424/443
2014/0378923	A1 *	12/2014	Holm	A61L 15/24 604/365
2015/0141949	A1	5/2015	Decabooter	
2015/0252215	A1 *	9/2015	Sanghi	A61L 15/425 602/54

* cited by examiner

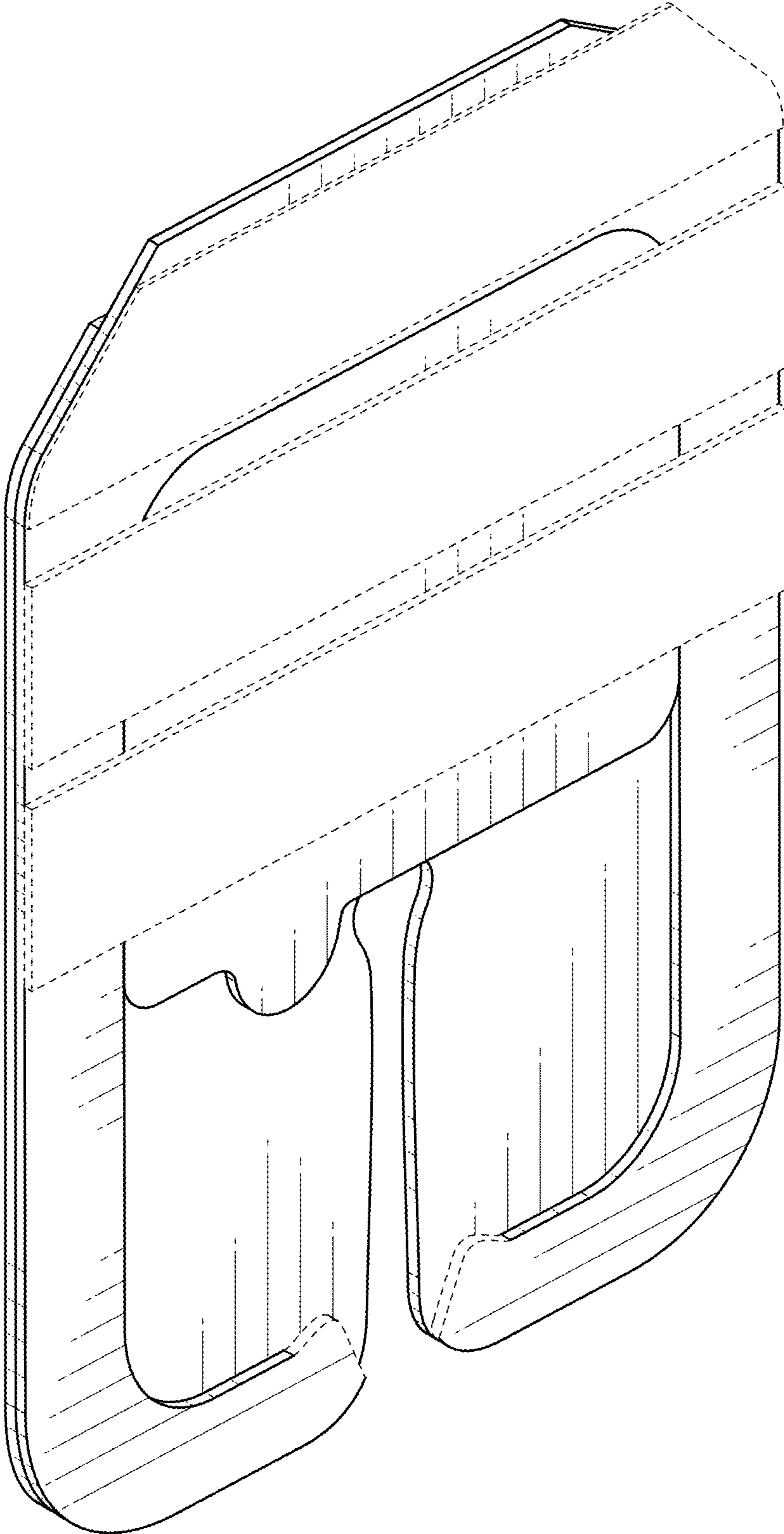


FIG. 1

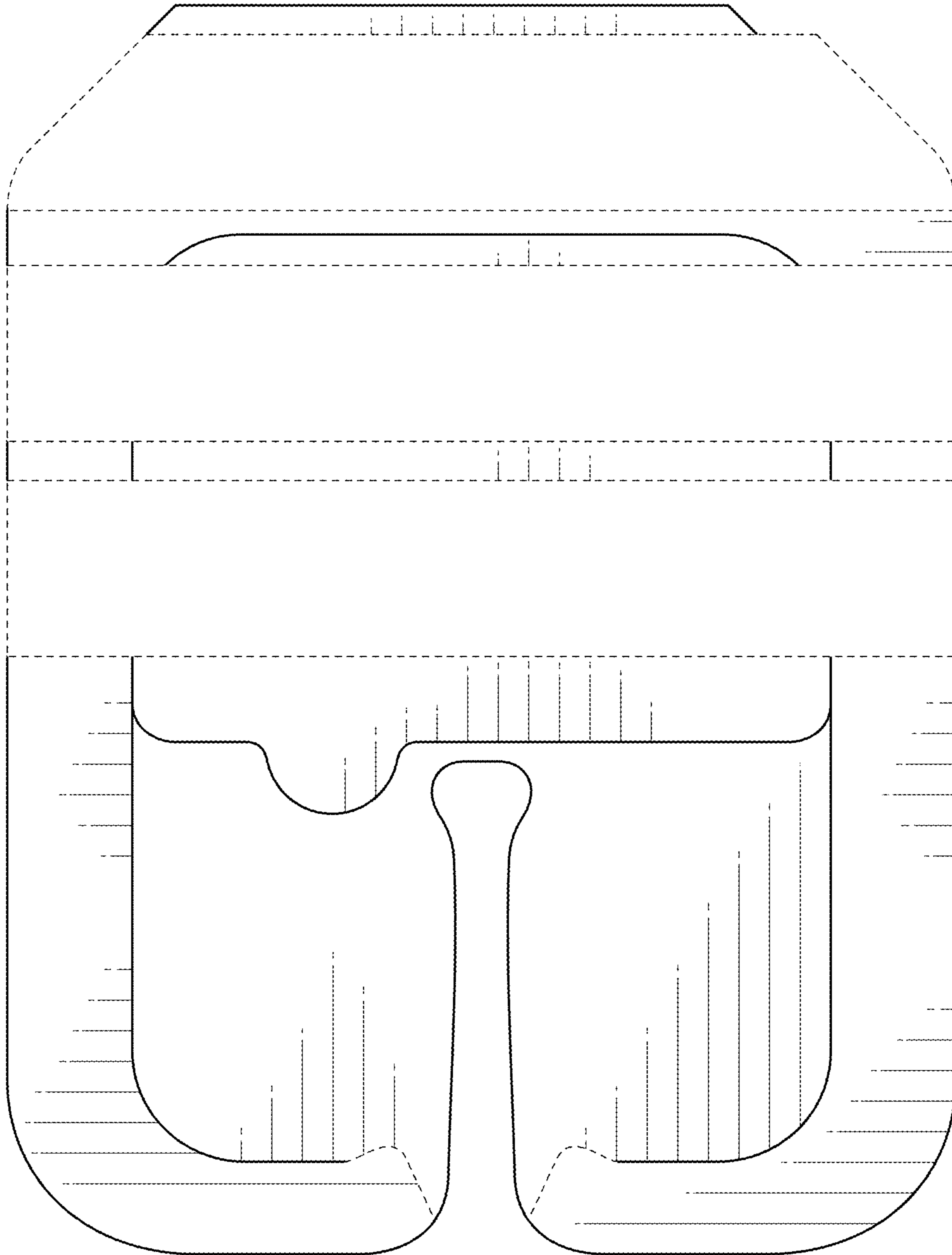


FIG. 2

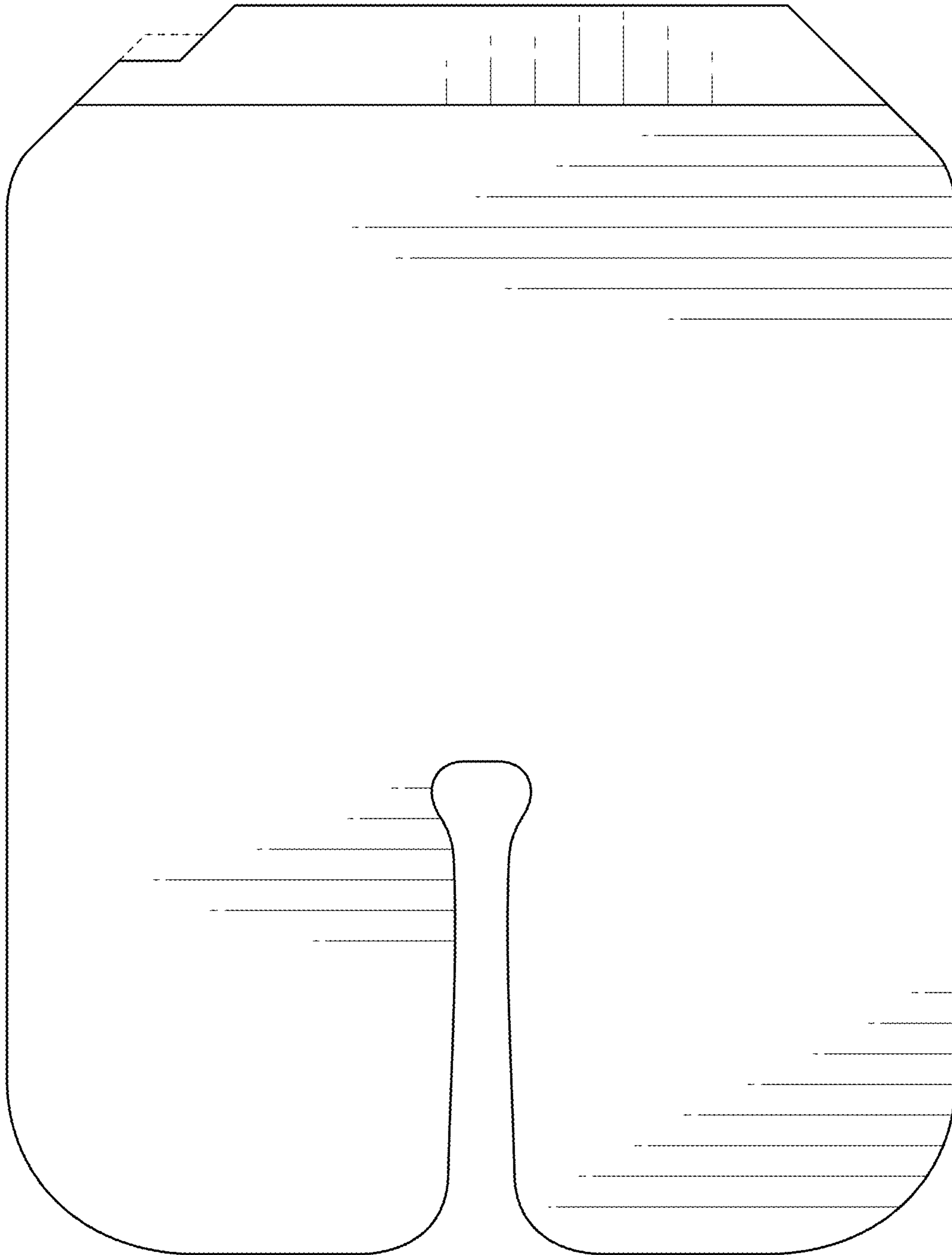


FIG. 3

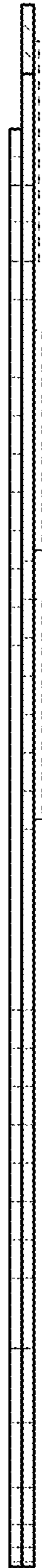


FIG. 4



FIG. 5

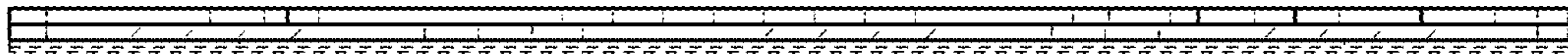


FIG. 6

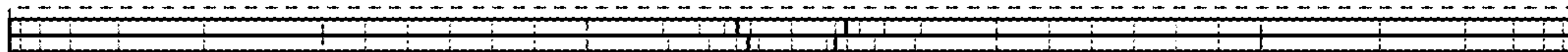


FIG. 7