



US00D948729S

(12) **United States Design Patent**  
**Park et al.**

(10) **Patent No.:** **US D948,729 S**  
(45) **Date of Patent:** **\*\* Apr. 12, 2022**

(54) **REHABILITATION TRAINING APPARATUS**

(71) Applicant: **NEOFECT CO., LTD.**, Seongnam-si (KR)

(72) Inventors: **Byeong Geol Park**, Icheon-si (KR); **Sung Zoon No**, Seoul (KR); **Sung Gon Moon**, Seoul (KR); **Su Hyun Bae**, Suwon-si (KR); **Seo Jeong Han**, Yongin-si (KR)

(73) Assignee: **NEOFECT CO., LTD.**, Seongnam-si (KR)

(\*\*) Term: **15 Years**

(21) Appl. No.: **29/711,263**

(22) Filed: **Oct. 29, 2019**

(30) **Foreign Application Priority Data**

Apr. 30, 2019 (KR) ..... 30-2019-0020543

(51) **LOC (13) Cl.** ..... **24-04**

(52) **U.S. Cl.**  
USPC ..... **D24/188**

(58) **Field of Classification Search**  
USPC ..... D24/188-190, 199, 200, 206, 212-215, D24/171; D29/100; D21/671, 686-688  
CPC ..... A63B 21/4037; A63B 21/0442; A63B 21/0557; A63B 21/4011; A63B 21/0414; A63B 23/0405; A63B 23/1245; A63B 23/1281; A63B 23/03508  
See application file for complete search history.

(56) **References Cited**

**U.S. PATENT DOCUMENTS**

D328,351 S \* 7/1992 Ott ..... D24/190  
D329,216 S \* 9/1992 Beeley ..... D12/128  
D379,678 S \* 6/1997 Rosado ..... D29/120.1  
D399,966 S \* 10/1998 Brown ..... D24/190

D464,433 S \* 10/2002 Kiefer ..... D24/190  
D471,634 S \* 3/2003 Crutchfield ..... D24/190  
D480,146 S \* 9/2003 Crutchfield ..... D24/190  
D535,030 S \* 1/2007 Brefka ..... D24/184  
D541,893 S \* 5/2007 Webber ..... D21/690  
D547,400 S \* 7/2007 Rogers ..... D21/690  
D574,917 S \* 8/2008 Parham ..... D21/803  
D577,828 S \* 9/2008 Ingimundarson ..... D24/190  
D581,996 S \* 12/2008 Teeter ..... D21/690  
D593,258 S \* 5/2009 Kamradt ..... D29/121.1  
D604,421 S \* 11/2009 Albrecht ..... D24/183  
D604,422 S \* 11/2009 Albrecht ..... D24/183

(Continued)

**OTHER PUBLICATIONS**

Smart Board [site visited Aug. 24, 2021]. Available from Internet.  
URL: <https://www.neofect.com/us/smart-board> (Year: 2021).\*

*Primary Examiner* — T Chase Nelson

*Assistant Examiner* — Kelly L Gross

(74) *Attorney, Agent, or Firm* — Revolution IP, PLLC

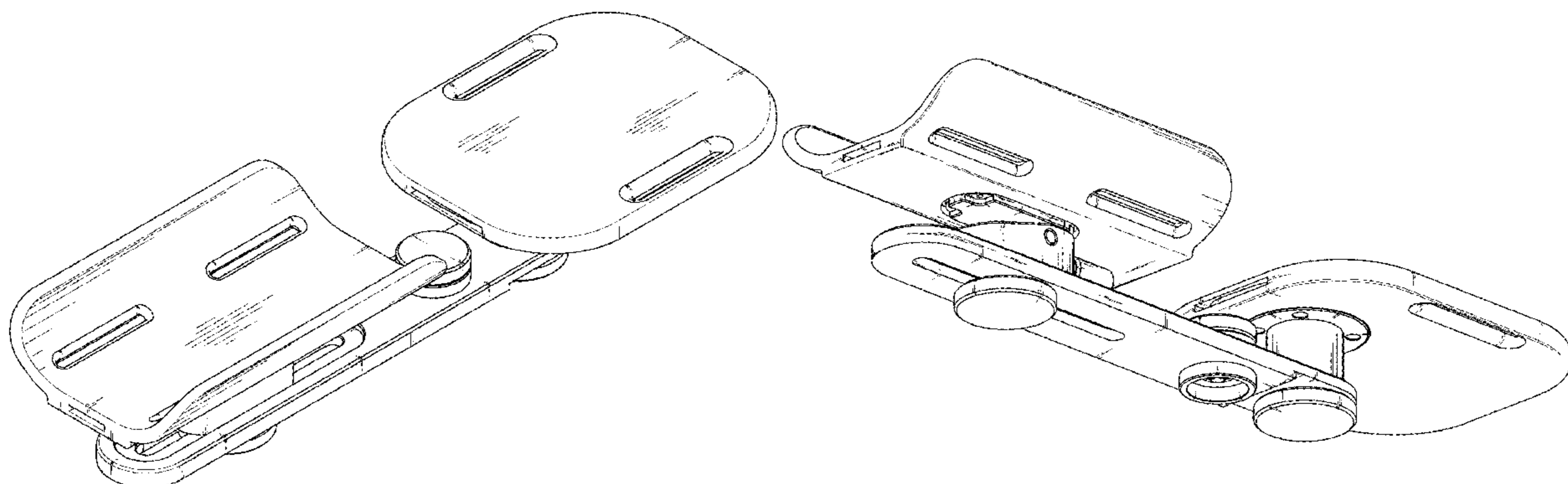
(57) **CLAIM**

The ornamental design for a rehabilitation training apparatus, as shown and described.

**DESCRIPTION**

FIG. 1 is a front perspective view of a rehabilitation training apparatus showing the claimed design;  
FIG. 2 is a front view thereof;  
FIG. 3 is a rear view thereof;  
FIG. 4 is a right side view thereof;  
FIG. 5 is a left side view thereof;  
FIG. 6 is a top view thereof;  
FIG. 7 is a bottom view thereof;  
FIG. 8 is a rear perspective view thereof; and,  
FIG. 9 is a reference view showing use state thereof.  
The broken lines in FIG. 9 are for illustrative purposes only and form no part of the claimed design.

**1 Claim, 9 Drawing Sheets**



(56)

References Cited

U.S. PATENT DOCUMENTS

D622,402 S \* 8/2010 Ivey ..... A61H 1/0285  
 D633,620 S \* 3/2011 Avett ..... D24/188  
 D664,220 S \* 7/2012 Leier ..... D21/695  
 D679,020 S \* 3/2013 Cuschieri ..... D24/184  
 D694,893 S \* 12/2013 Heck ..... D24/190  
 D696,499 S \* 12/2013 Lehtinen ..... D2/909  
 D696,785 S \* 12/2013 Weaver, II ..... D24/192  
 D702,841 S \* 4/2014 Wyrozub ..... D24/184  
 8,701,225 B1 \* 4/2014 Latiff ..... A61G 7/1073  
 5/81.1 T  
 D726,319 S \* 4/2015 Sul ..... D24/159  
 D730,456 S \* 5/2015 Mahoney ..... D21/671  
 D731,832 S \* 6/2015 Feiner ..... D6/716.4  
 D741,421 S \* 10/2015 Ho ..... D21/687  
 D743,186 S \* 11/2015 Perdue ..... D6/596  
 D745,171 S \* 12/2015 Gomez ..... D24/184  
 D746,386 S \* 12/2015 Mahoney ..... D21/671  
 D748,804 S \* 2/2016 Eenboom ..... D24/183  
 D757,277 S \* 5/2016 Chen ..... D24/190  
 9,364,715 B2 \* 6/2016 Qiu ..... A61H 1/0296  
 D772,992 S \* 11/2016 Lagree ..... D21/690  
 D774,653 S \* 12/2016 Christmas ..... D24/190  
 D779,675 S \* 2/2017 Chapman ..... D24/188  
 D779,676 S \* 2/2017 Chapman ..... D24/188  
 D781,426 S \* 3/2017 McQuilton ..... D24/171  
 D782,049 S \* 3/2017 Gomez ..... D24/184  
 D787,072 S \* 5/2017 Pryce-Jones ..... D24/183  
 D789,463 S \* 6/2017 Lagree ..... D21/690  
 D789,543 S \* 6/2017 Gomez ..... D24/184  
 D802,778 S \* 11/2017 Lo ..... D24/190  
 D808,028 S \* 1/2018 Richards ..... D24/190  
 D810,846 S \* 2/2018 Scott ..... D21/688  
 D812,158 S \* 3/2018 Campanaro ..... D21/690

D812,159 S \* 3/2018 Campanaro ..... D21/690  
 D816,784 S \* 5/2018 Monti ..... D21/690  
 9,962,574 B2 \* 5/2018 Sperry ..... A63B 23/04  
 D821,596 S \* 6/2018 Ito ..... D24/200  
 D826,596 S \* 8/2018 Yang ..... D6/601  
 D830,560 S \* 10/2018 Christmas ..... D24/190  
 D830,561 S \* 10/2018 Christmas ..... D24/190  
 D834,204 S \* 11/2018 Chang ..... D24/190  
 D843,872 S \* 3/2019 Swart ..... D11/26  
 D845,556 S \* 4/2019 Bock ..... D30/144  
 D846,130 S \* 4/2019 Watabe ..... D24/190  
 D863,558 S \* 10/2019 Han ..... D24/183  
 D863,568 S \* 10/2019 Kaal ..... D24/190  
 D866,771 S \* 11/2019 Zhu ..... D24/190  
 D875,960 S \* 2/2020 Savard ..... D24/192  
 D876,651 S \* 2/2020 Larouche ..... A61G 7/075  
 D24/190  
 D877,345 S \* 3/2020 Chapman ..... D24/188  
 D878,604 S \* 3/2020 Chapman ..... D24/188  
 D881,476 S \* 4/2020 Koop ..... D30/109  
 D883,713 S \* 5/2020 Glatt ..... D6/601  
 D887,010 S \* 6/2020 Smith-Martin ..... D24/188  
 D895,744 S \* 9/2020 Leier ..... D21/694  
 D895,753 S \* 9/2020 Robinson, Jr. .... D21/791  
 D896,550 S \* 9/2020 Cane ..... D6/601  
 D898,841 S \* 10/2020 Chiu ..... D21/662  
 D905,256 S \* 12/2020 Dillingham ..... A63B 23/04  
 D24/190  
 10,893,762 B2 \* 1/2021 Davis ..... A61G 7/075  
 D912,828 S \* 3/2021 Huang ..... D24/183  
 D912,907 S \* 3/2021 LaRosa ..... D29/120.1  
 D914,812 S \* 3/2021 Campanaro ..... D21/674  
 D917,056 S \* 4/2021 Motomura ..... D24/213  
 D922,590 S \* 6/2021 Kersen ..... D24/192  
 D925,663 S \* 7/2021 Schwarz ..... D21/670  
 D925,947 S \* 7/2021 Howard ..... D6/596  
 D927,614 S \* 8/2021 Behar ..... D21/690

\* cited by examiner



FIG. 1

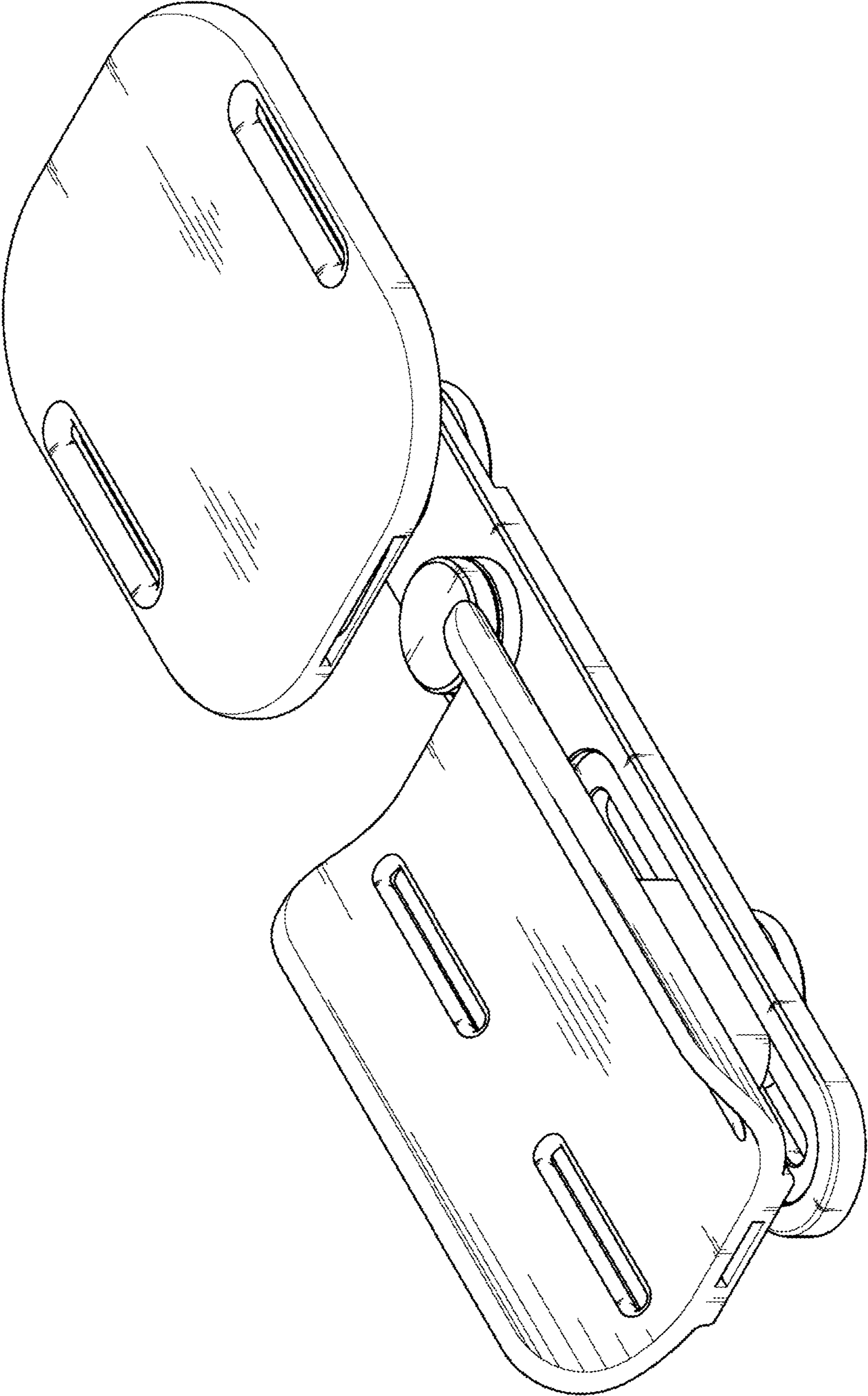


FIG. 2

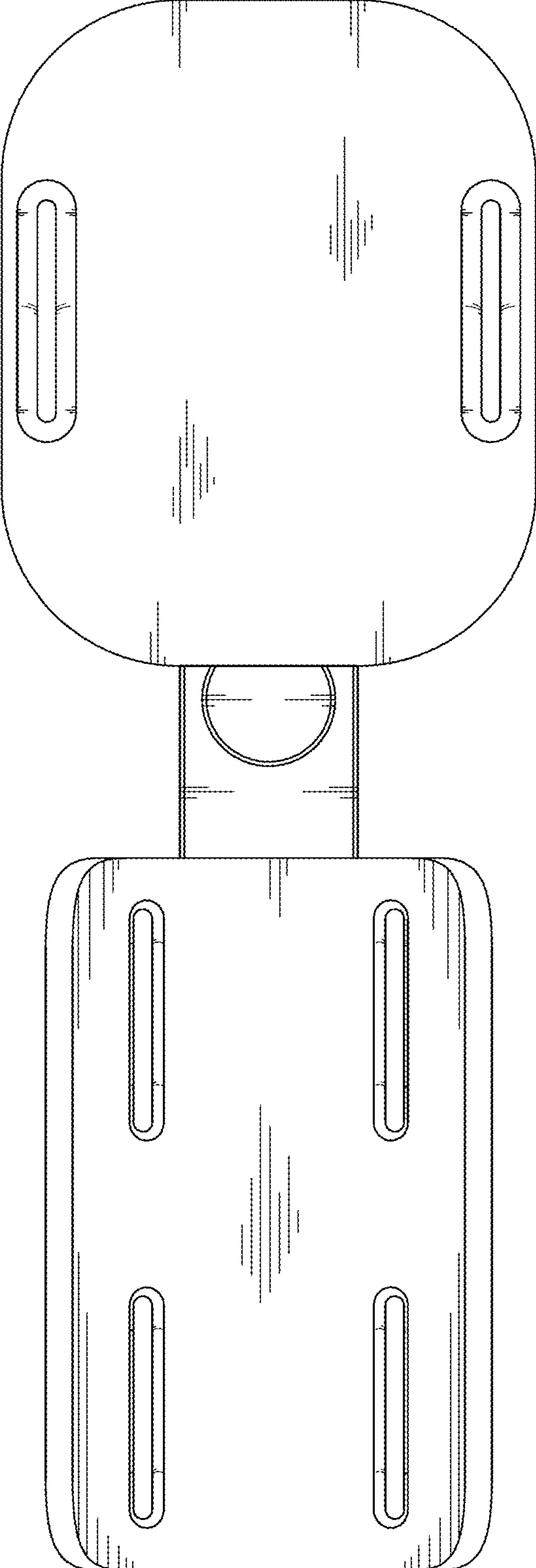


FIG. 3

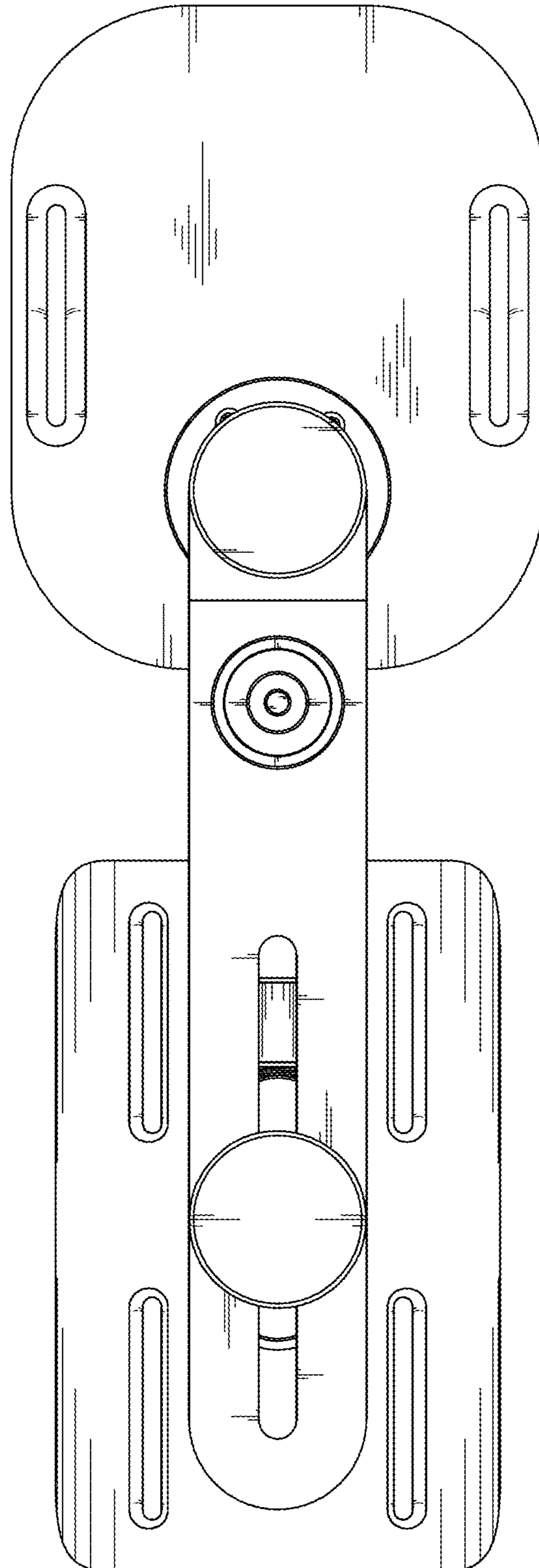


FIG. 4

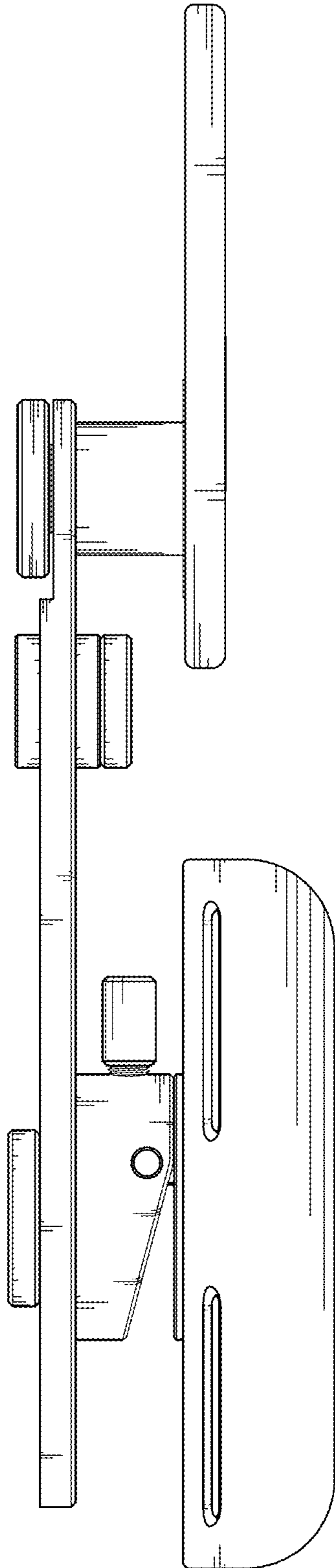


FIG. 5

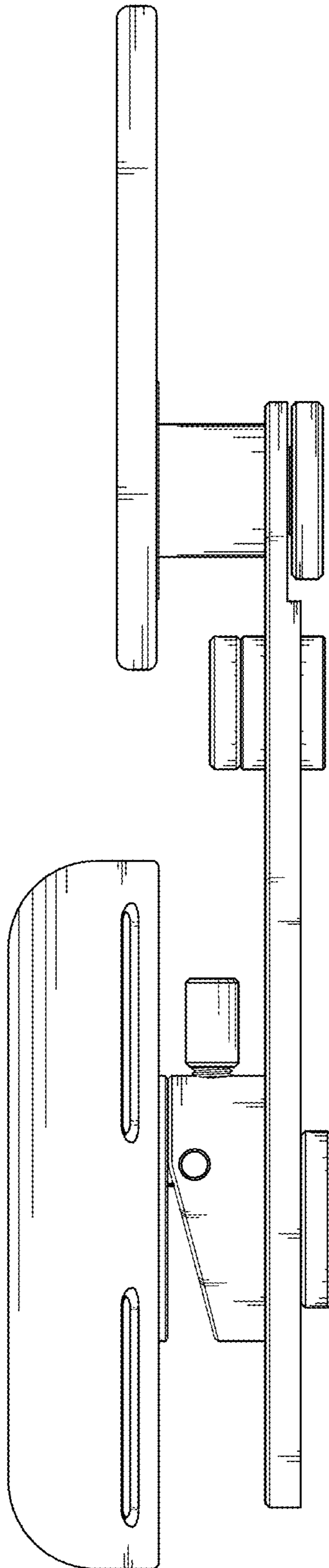


FIG. 6

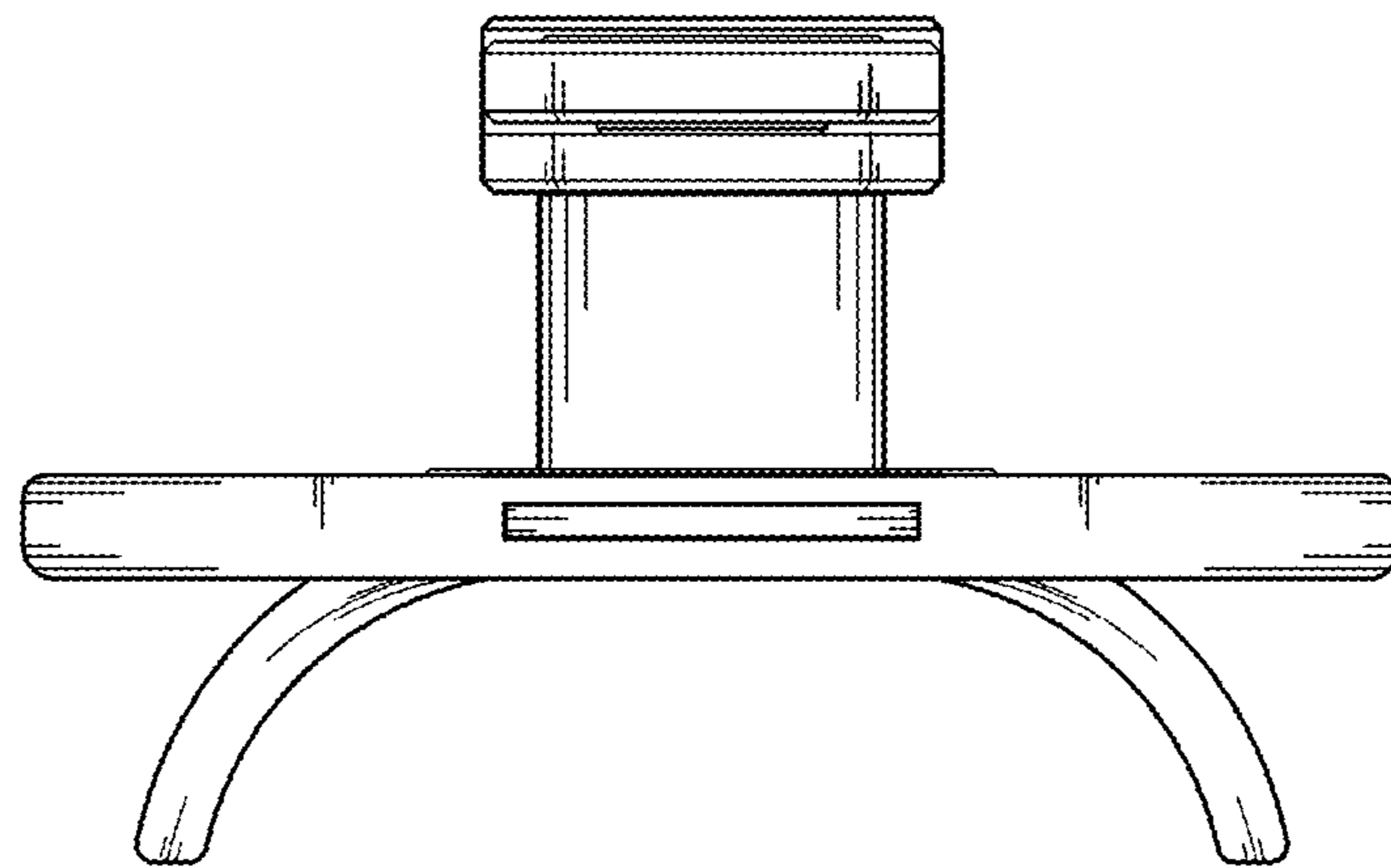




FIG. 7

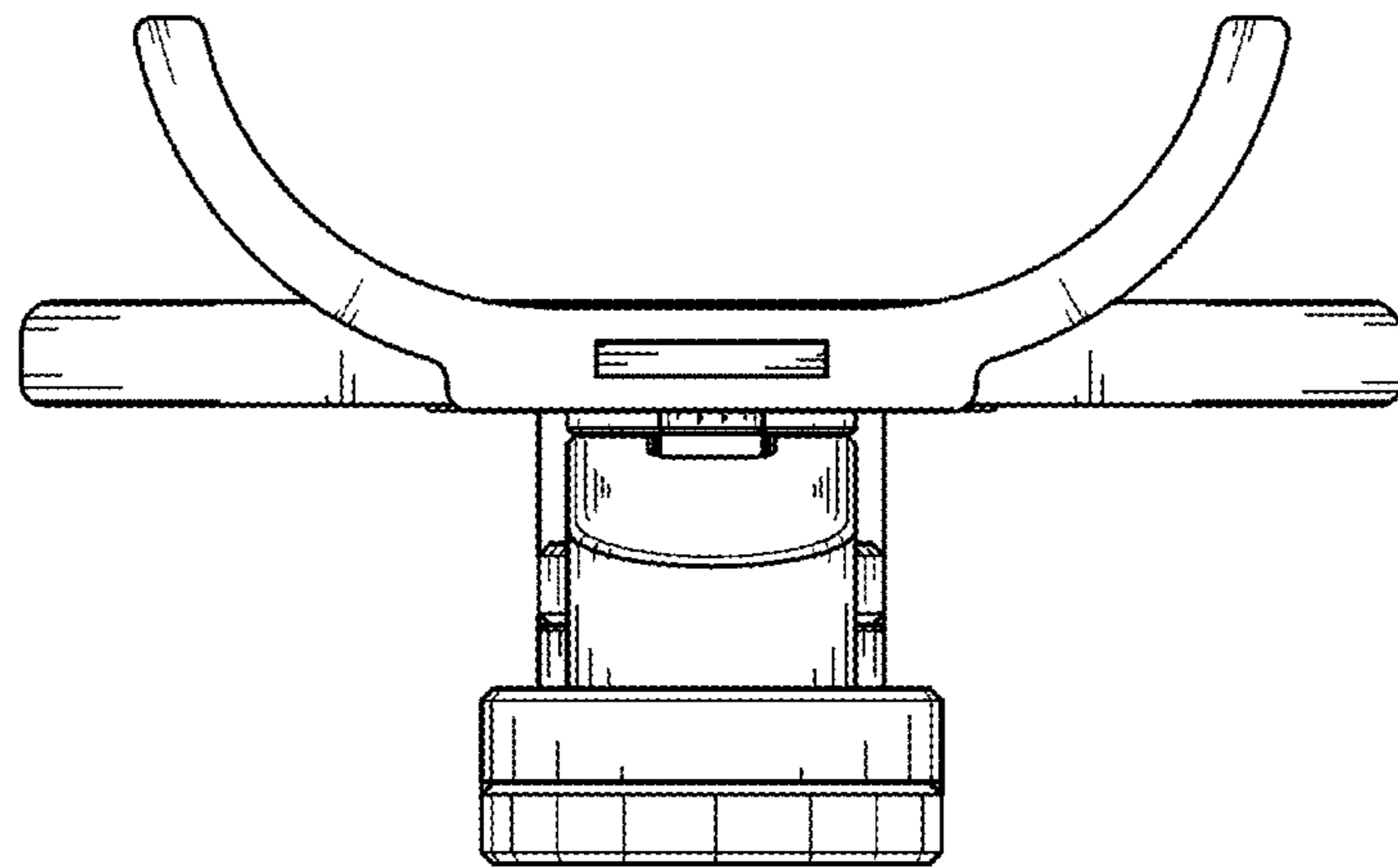


FIG. 8

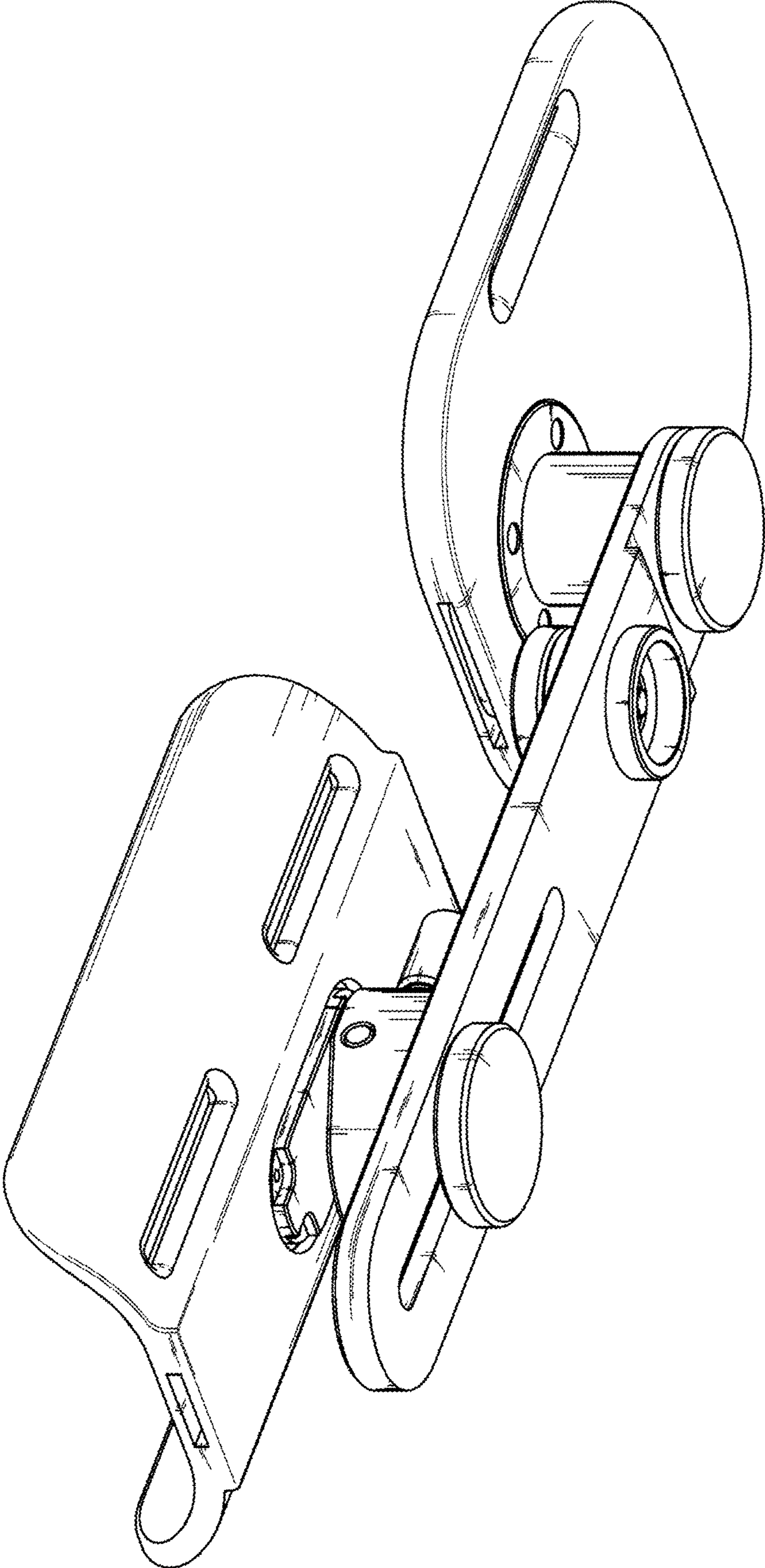


FIG. 9

