



US00D948726S

(12) **United States Design Patent**  
**Tseng**

(10) **Patent No.:** **US D948,726 S**  
(45) **Date of Patent:** **\*\* Apr. 12, 2022**

(54) **SKIN AND LIFE DETECTION DEVICE**

(71) Applicant: **Lifetrons Switzerland Holdings Limited**, Tuen Mun (HK)

(72) Inventor: **Chih-Ming Tseng**, Tuen Mun (HK)

(73) Assignee: **LIFETRONS SWITZERLAND HOLDINGS LIMITED**, Tuen Mun (HK)

(\*\*) Term: **15 Years**

(21) Appl. No.: **29/704,778**

(22) Filed: **Sep. 6, 2019**

(51) **LOC (13) Cl.** ..... **24-01**

(52) **U.S. Cl.**  
USPC ..... **D24/186**

(58) **Field of Classification Search**  
USPC ..... D24/186, 187, 200, 209, 210, 214, 133;  
D28/144.1; D10/81  
CPC ... A61B 5/0531; A61B 5/0533; A61B 5/0537;  
A61B 5/0053; A61B 5/0059; A61B  
5/0064; A61B 5/0077; A61B 5/0095;  
A61B 5/442; A61B 5/443; A61B  
2018/0047

See application file for complete search history.

(56) **References Cited**

**U.S. PATENT DOCUMENTS**

D634,435 S \* 3/2011 Chua ..... D24/186  
D700,965 S \* 3/2014 Krishnan ..... D24/133

D749,742 S \* 2/2016 Ishibashi ..... D24/186  
D831,189 S \* 10/2018 Fang ..... D24/186  
2010/0063402 A1\* 3/2010 Sheinis ..... A61B 5/0075  
600/476  
2013/0137991 A1\* 5/2013 Fright ..... A61B 5/0077  
600/476  
2015/0025343 A1\* 1/2015 Gareau ..... A61B 5/0075  
600/328  
2018/0310872 A1\* 11/2018 Tseng ..... A61B 5/0077

\* cited by examiner

*Primary Examiner* — Anhdao Doan

(74) *Attorney, Agent, or Firm* — Muncy, Geissler, Olds & Lowe, P.C.

(57) **CLAIM**

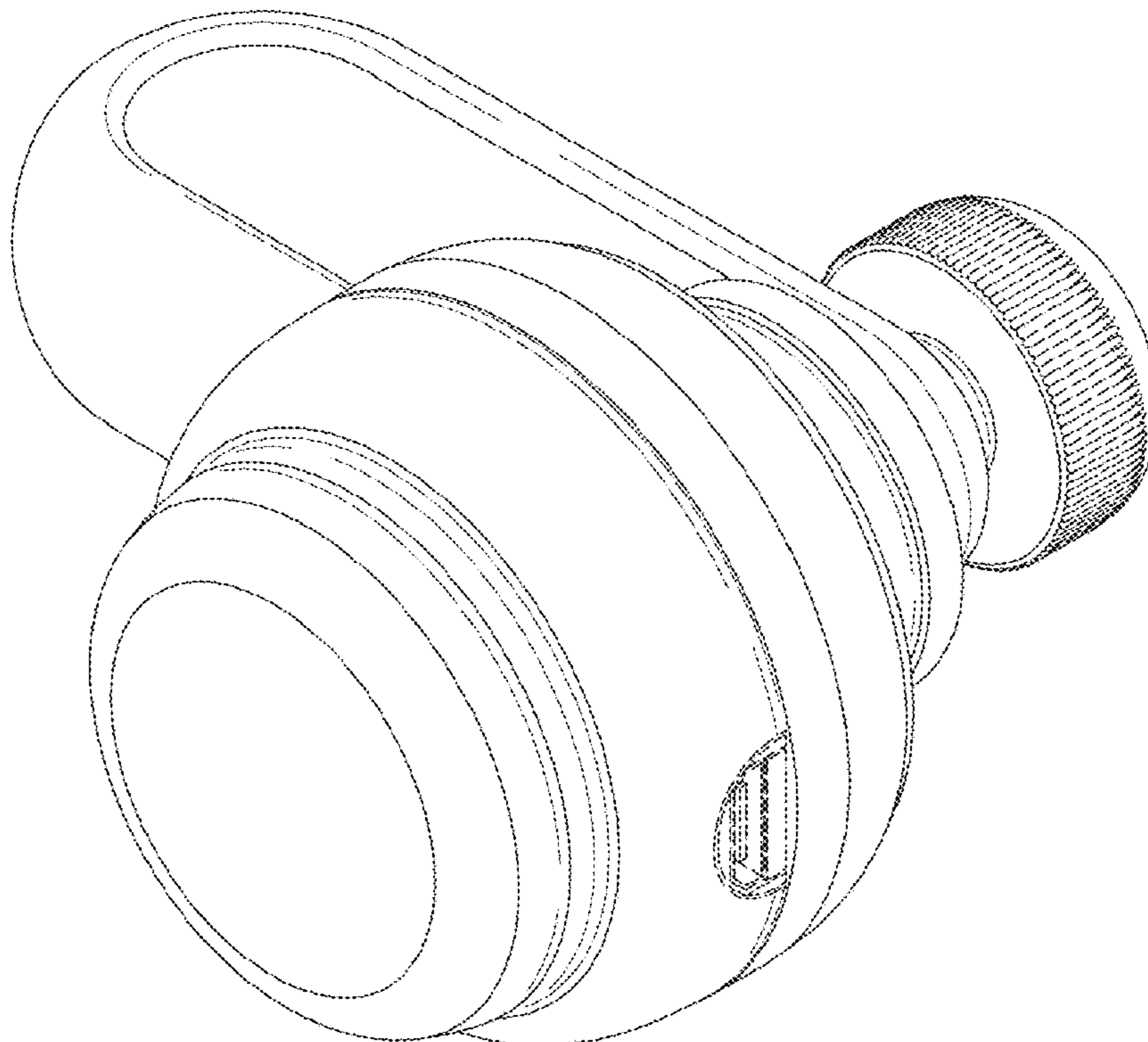
The ornamental design for a skin and life detection device, as shown and described.

**DESCRIPTION**

FIG. 1 is a perspective view of a skin and life detection device showing my new design;  
FIG. 2 is a front view thereof;  
FIG. 3 is a rear view thereof;  
FIG. 4 is an enlarged first side view thereof;  
FIG. 5 is a an enlarged second side view thereof;  
FIG. 6 is a top view thereof; and,  
FIG. 7 is a bottom view thereof.

The broken lines in the drawings are for the purpose of illustrating portions of the skin and life detection device, which form no part of the claimed design.

**1 Claim, 7 Drawing Sheets**



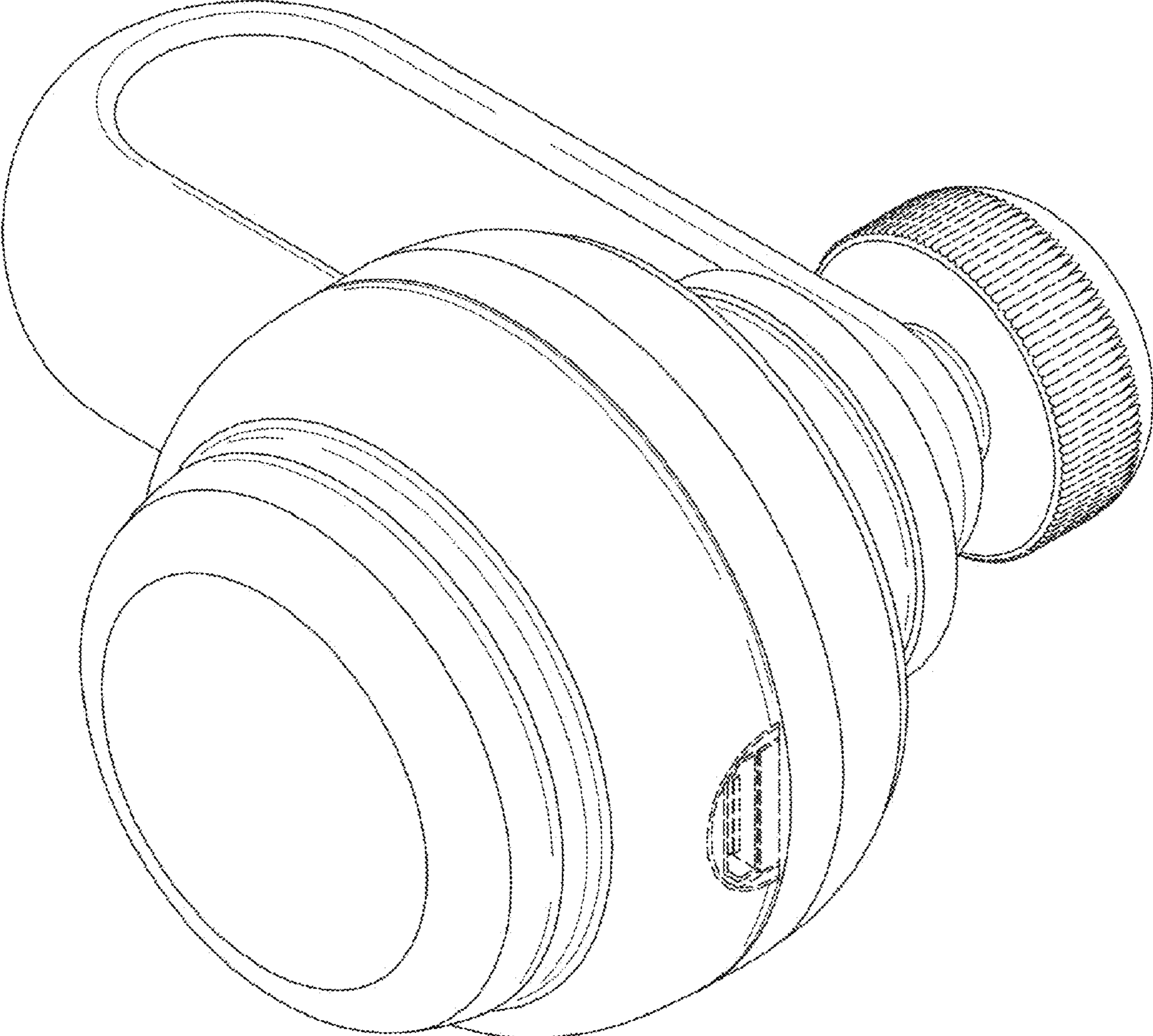


FIG. 1

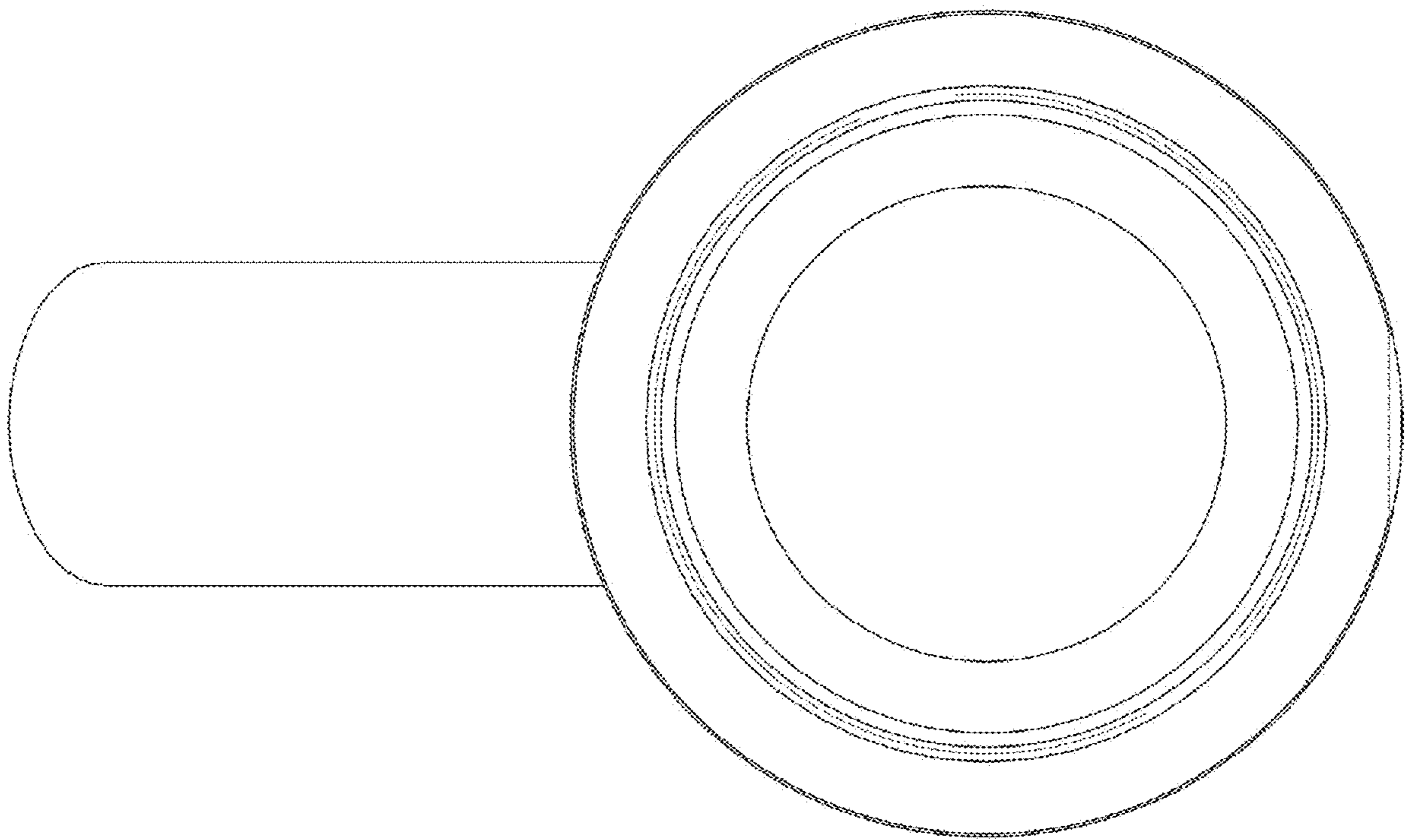


FIG. 2

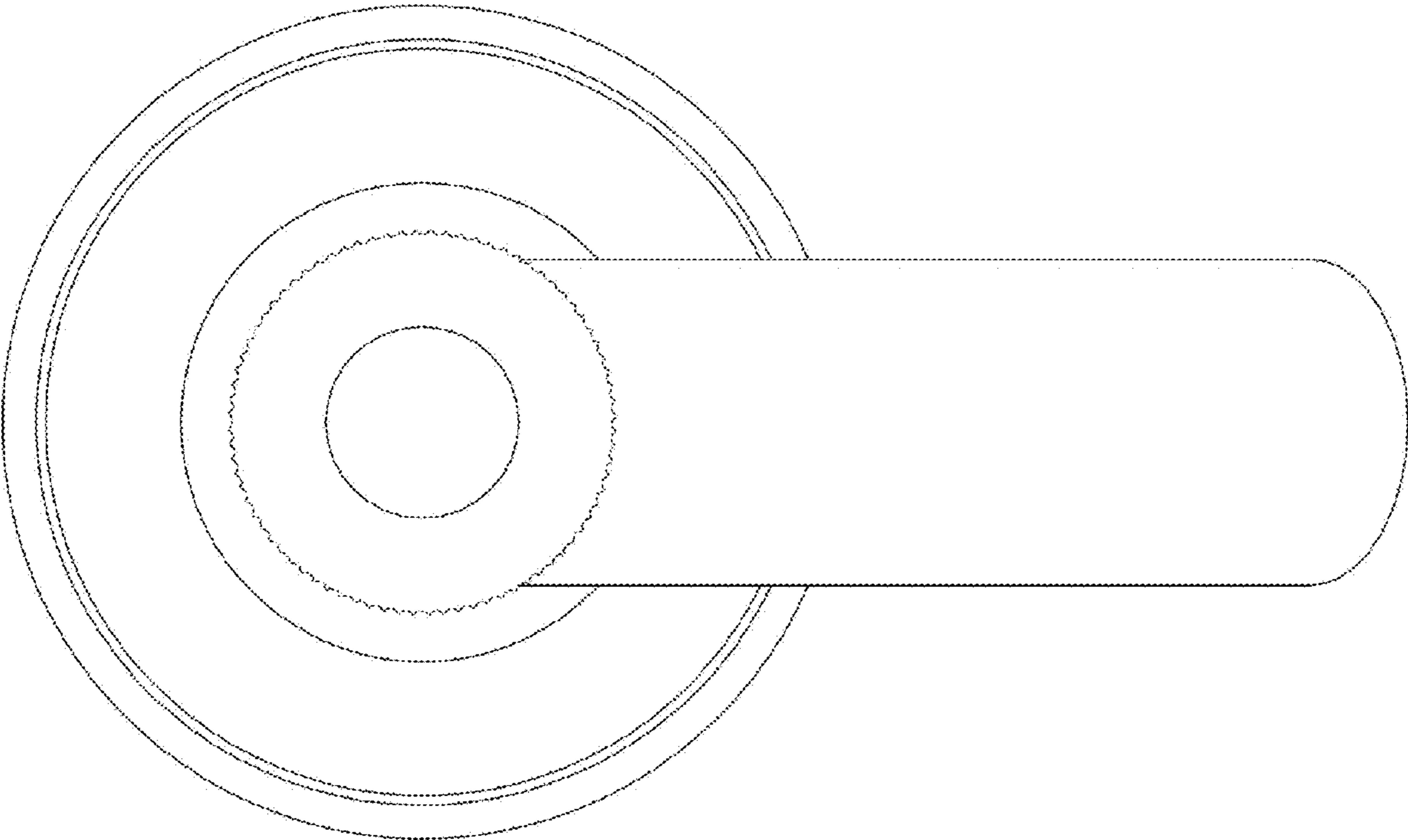


FIG. 3



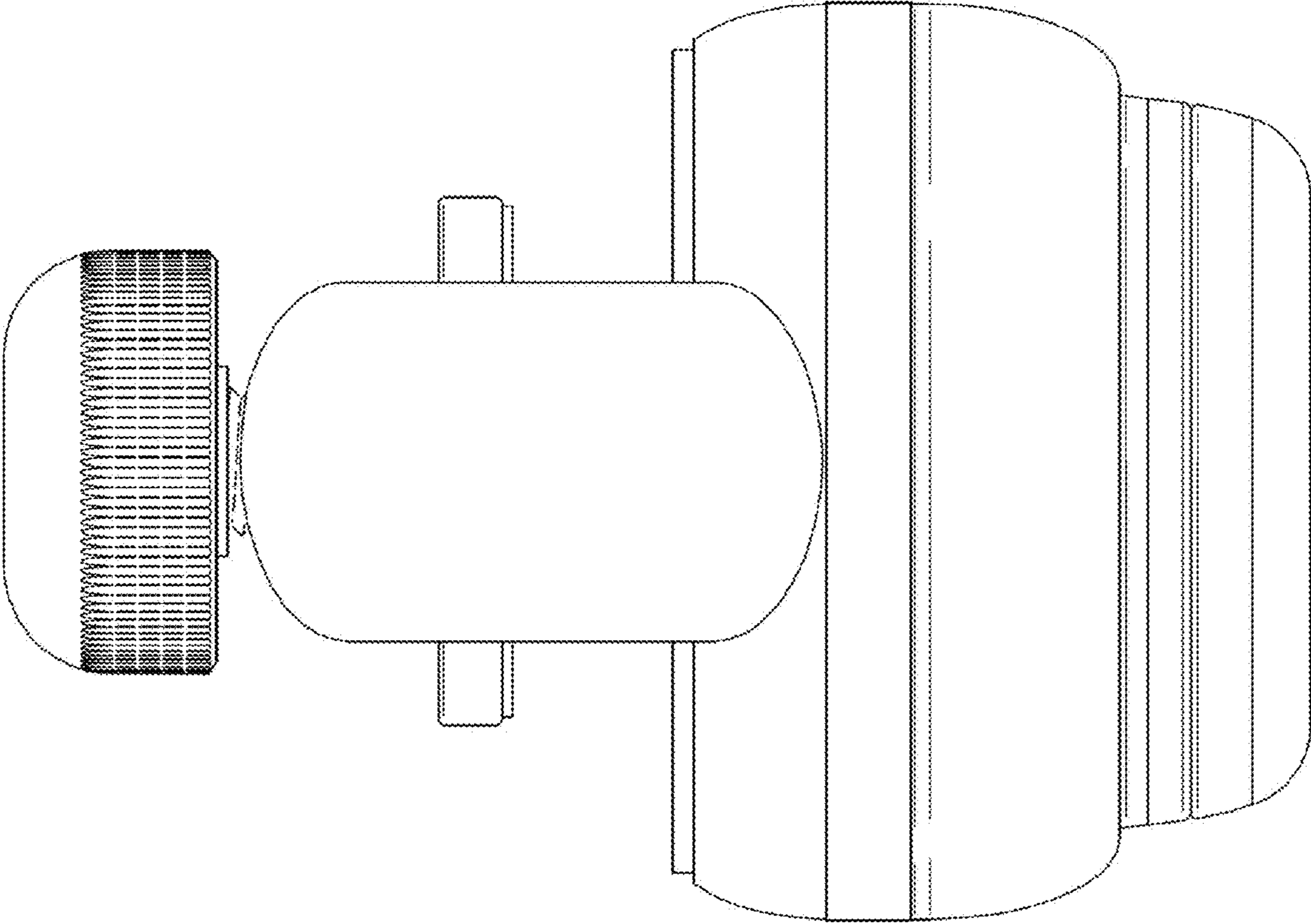


FIG. 4

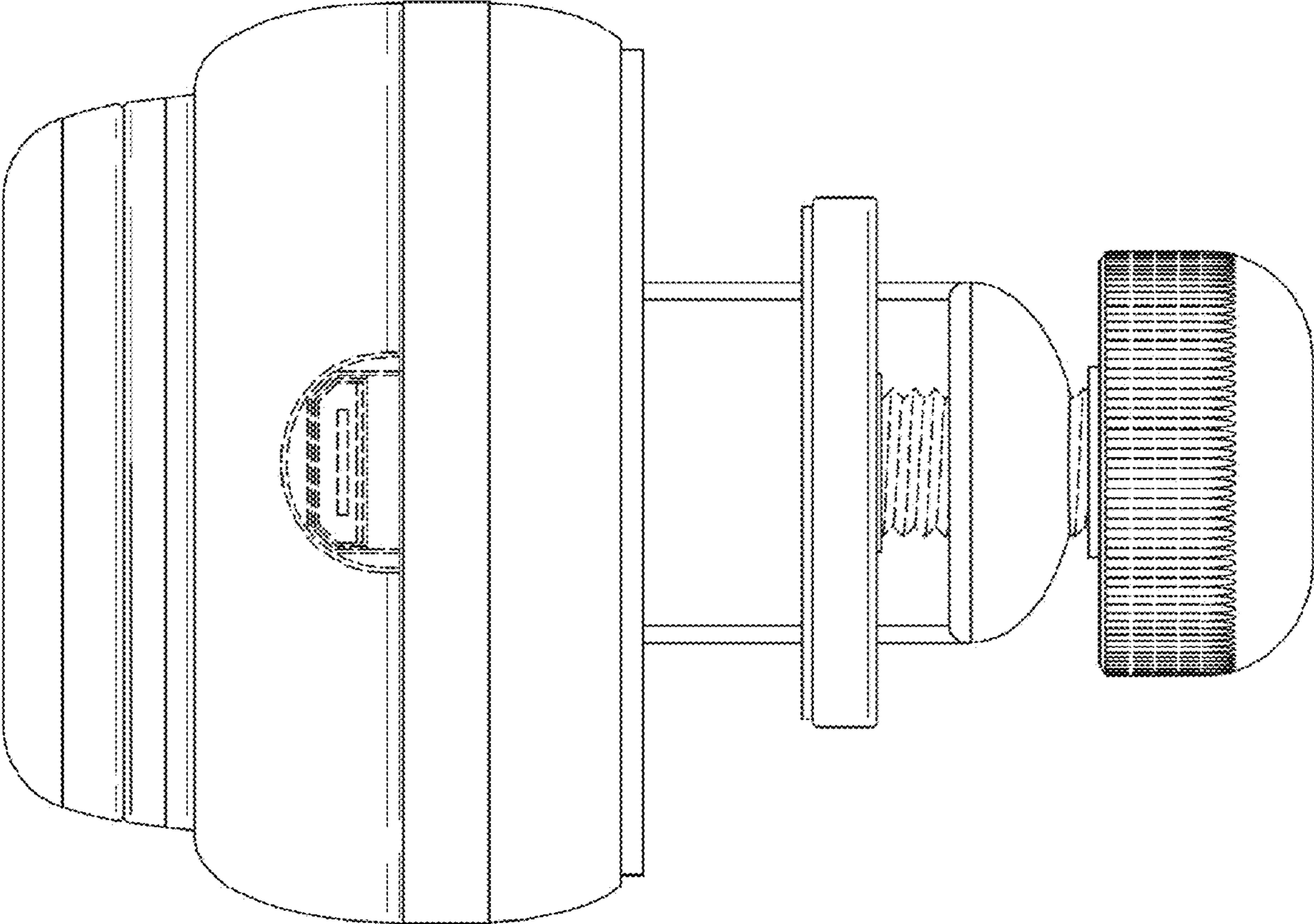


FIG. 5

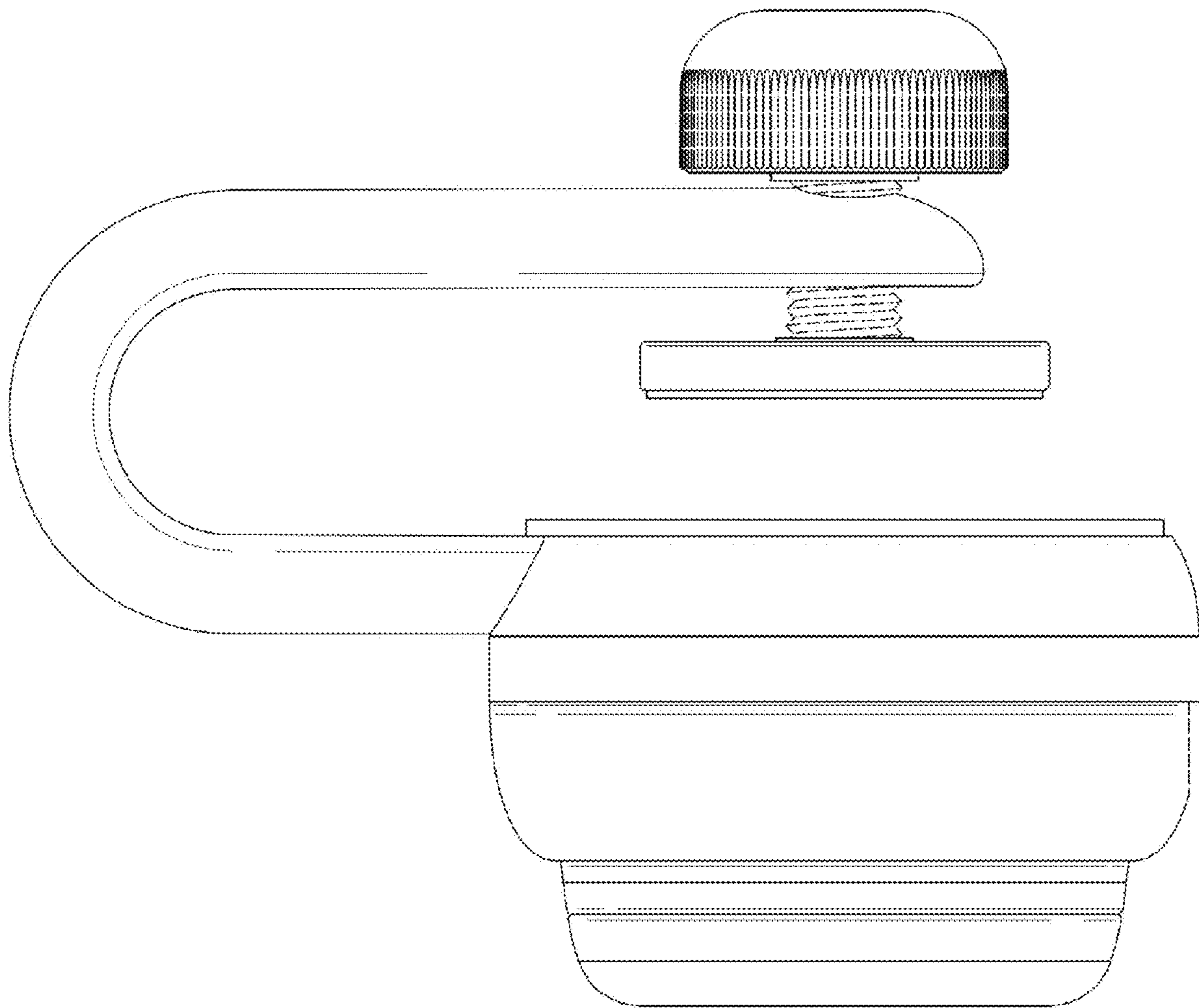


FIG. 6

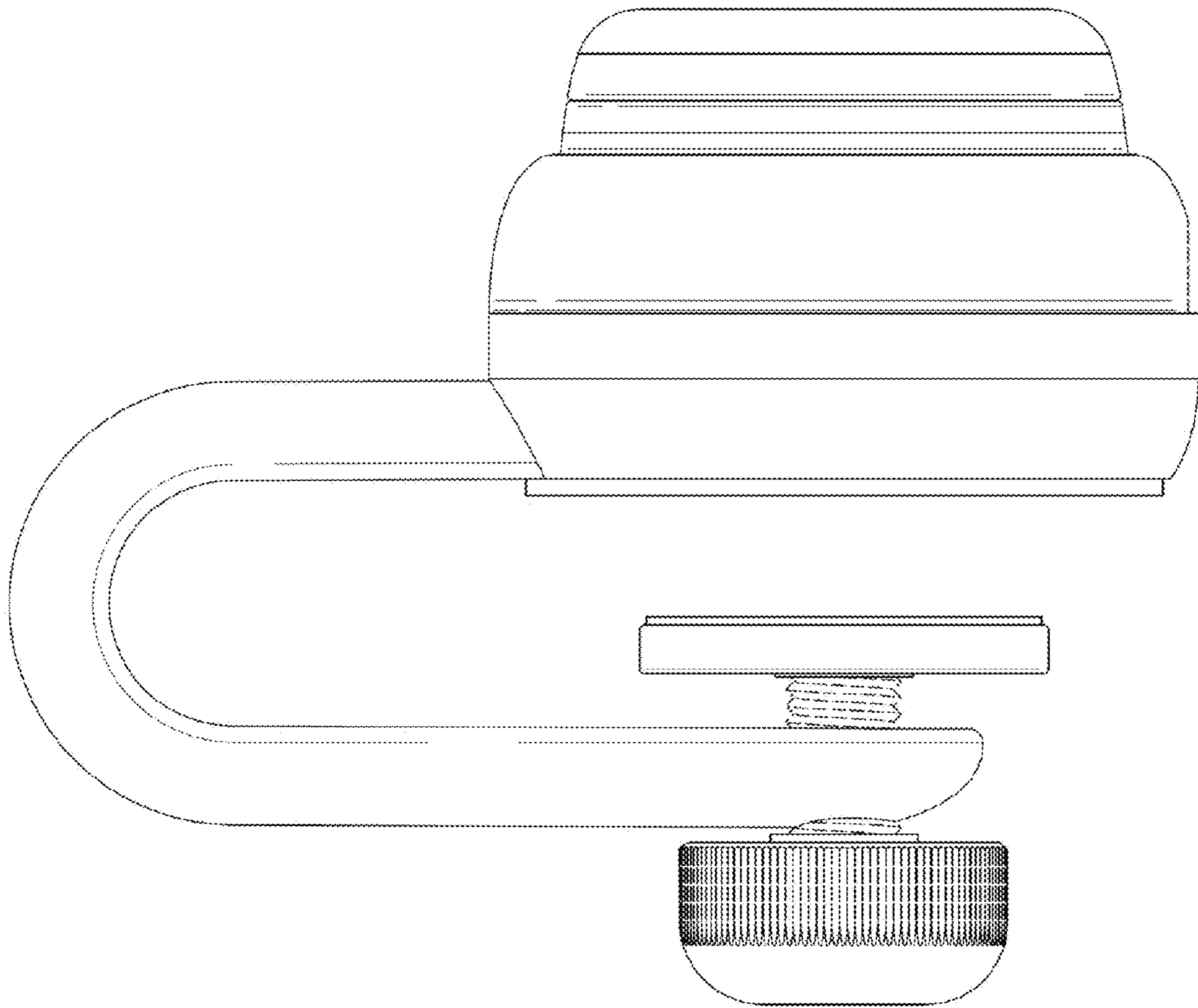


FIG. 7