



US00D948725S

(12) **United States Design Patent** (10) **Patent No.:** **US D948,725 S**
Yun et al. (45) **Date of Patent:** **** Apr. 12, 2022**

(54) **PORTABLE TABLE**
(71) Applicant: **ChiroLux LLC**, Spokane, WA (US)
(72) Inventors: **Ling Yun**, Jiangyin (CN); **Pu Lei**, Jiangyin (CN)
(73) Assignee: **ChiroLux LLC**, Spokane, WA (US)
(**) Term: **15 Years**
(21) Appl. No.: **29/712,424**

(22) Filed: **Nov. 7, 2019**
(51) **LOC (13) Cl.** **24-02**
(52) **U.S. Cl.**
USPC **D24/183**
(58) **Field of Classification Search**
USPC D24/107, 158-161, 183-186; D6/406.5, D6/406.6, 685, 686, 691, 691.1-691.9
CPC A61B 6/0457; A61B 6/4447; A61B 6/484; A61B 6/0407; A61B 6/0428; A61B 34/37; A61B 34/71; A61B 46/00; A61G 2210/50; A61G 13/105; A61G 13/009; A61G 13/02; A61G 13/04; A61G 13/08; A47B 3/10; A61M 16/101
See application file for complete search history.

(56) **References Cited**
U.S. PATENT DOCUMENTS

D96,759 S *	9/1935	Kalter	D24/183
D219,694 S *	1/1971	Lelugas	D24/183
D232,588 S *	8/1974	Radford	D24/183
D264,162 S *	5/1982	Azzalin	D6/691
D275,322 S *	8/1984	Nakao	D24/183
D304,614 S *	11/1989	Guttormsen	D24/183
5,009,170 A *	4/1991	Spehar	A47B 3/10 108/132
D392,741 S *	3/1998	Blanchard	D24/183
D434,151 S *	11/2000	Fanuzzi	D24/183
D436,176 S *	1/2001	Fanuzzi	D24/183
D463,563 S *	9/2002	Schoenig	D24/183
D583,952 S *	12/2008	Genelli	D24/183

D656,618 S * 3/2012 Gorovitz D24/183
2006/0260516 A1* 11/2006 Chow A61G 13/105
108/14
2006/0260520 A1* 11/2006 Estrada A47B 3/087
108/169

(Continued)

OTHER PUBLICATIONS

Earthlite Avalon XD Massage Table Package. Online, published date unknown. Retrieved on Mar. 29, 2021 from URL: <https://knowyourbodybest.com/shop/massage-tables/portable-massage-tables/earthlite-avalon-xd/>.*

(Continued)

Primary Examiner — Susan Bennett Hattan
Assistant Examiner — Omeed Agilee
(74) *Attorney, Agent, or Firm* — Adibi IP Group, PC; Amir V. Adibi; Andrew C. Palmer

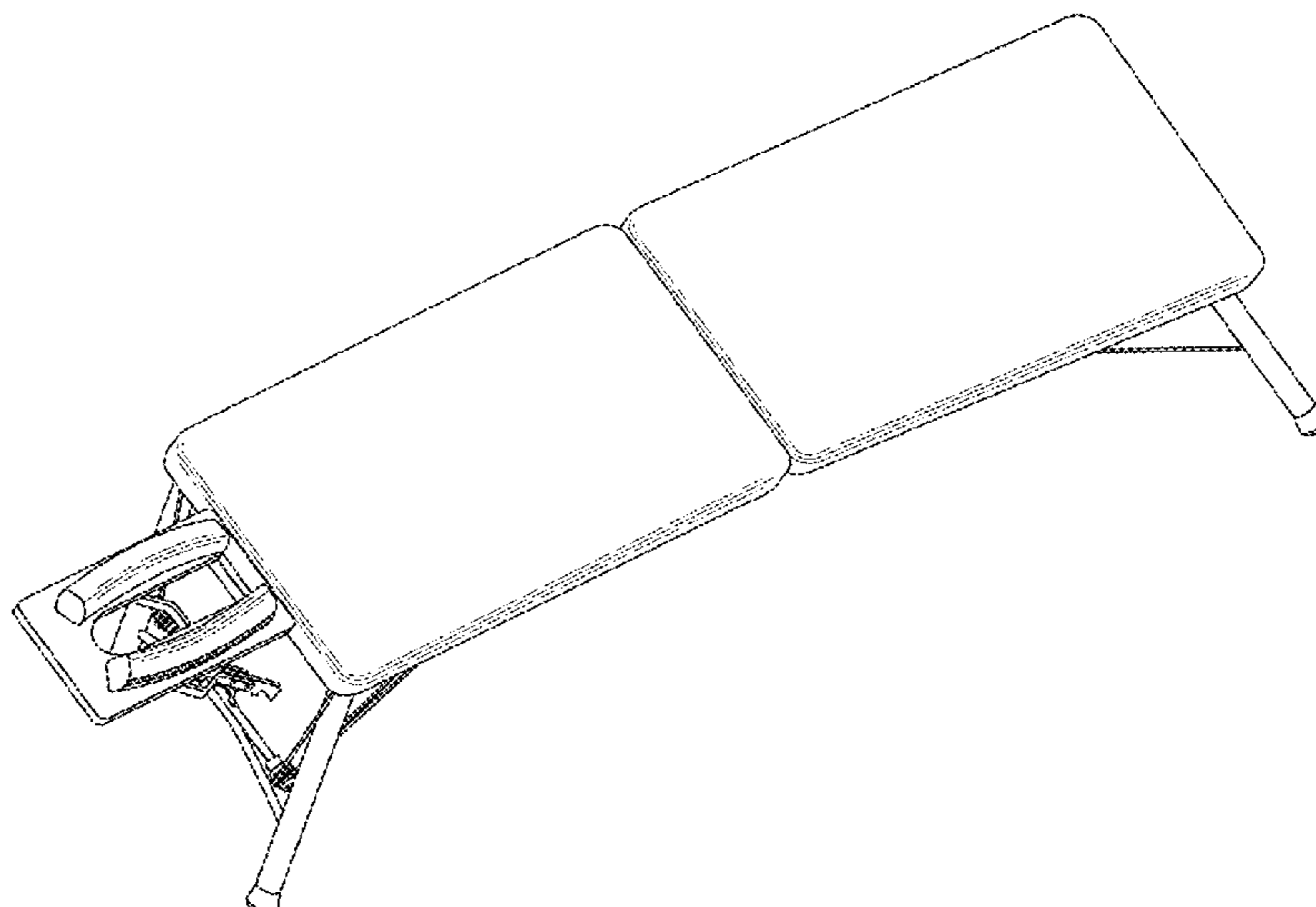
(57) **CLAIM**

The ornamental design for the portable table, as shown and described.

DESCRIPTION

FIG. 1 is a front perspective view of a portable table showing our new design.
FIG. 2 is a top view showing our new design.
FIG. 3 is a bottom view thereof.
FIG. 4 is a left side view thereof.
FIG. 5 is a right side view thereof.
FIG. 6 is a front view thereof.
FIG. 7 is a back view thereof.
FIG. 8 is a bottom perspective view thereof.
FIG. 9 is a side perspective view showing the portable table partially folded into a compact state; and,
FIG. 10 is a side perspective view showing the portable table in the compact state.
The broken lines in FIGS. 3 and 9 depict portions of the portable table that form no part of the claimed design.

1 Claim, 10 Drawing Sheets



(56)

References Cited

U.S. PATENT DOCUMENTS

2010/0257673 A1* 10/2010 Linares A61G 1/0237
5/626
2010/0299835 A1* 12/2010 Andrews A61G 13/009
5/620
2011/0247612 A1* 10/2011 DeSalvo A61M 16/101
128/200.23

OTHER PUBLICATIONS

ChiroLux Portable Table Review & Chiropractic Adjustment w/ Dr
Brett Jones. Online, published date May 25, 2021. Retrieved on
Mar. 29, 2021 from URL: <https://www.youtube.com/watch?v=Vn0PnEJugLk>.*

* cited by examiner

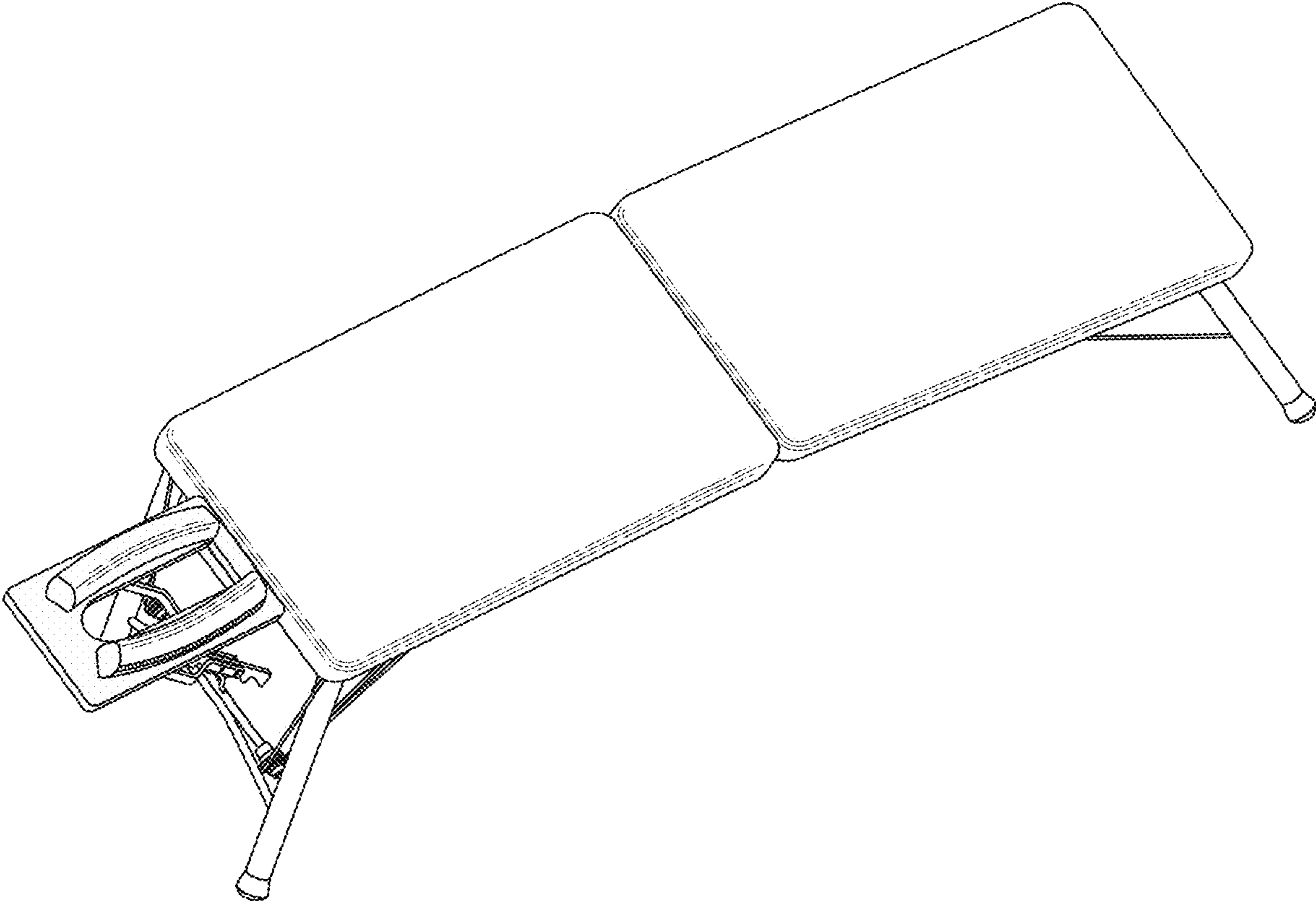


FIG. 1

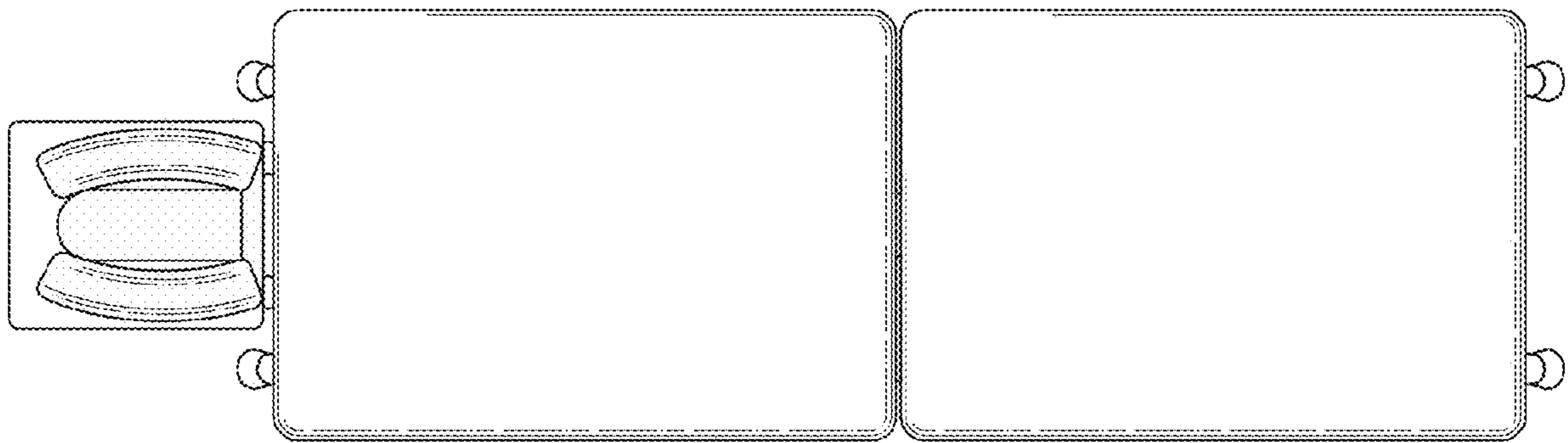


FIG. 2

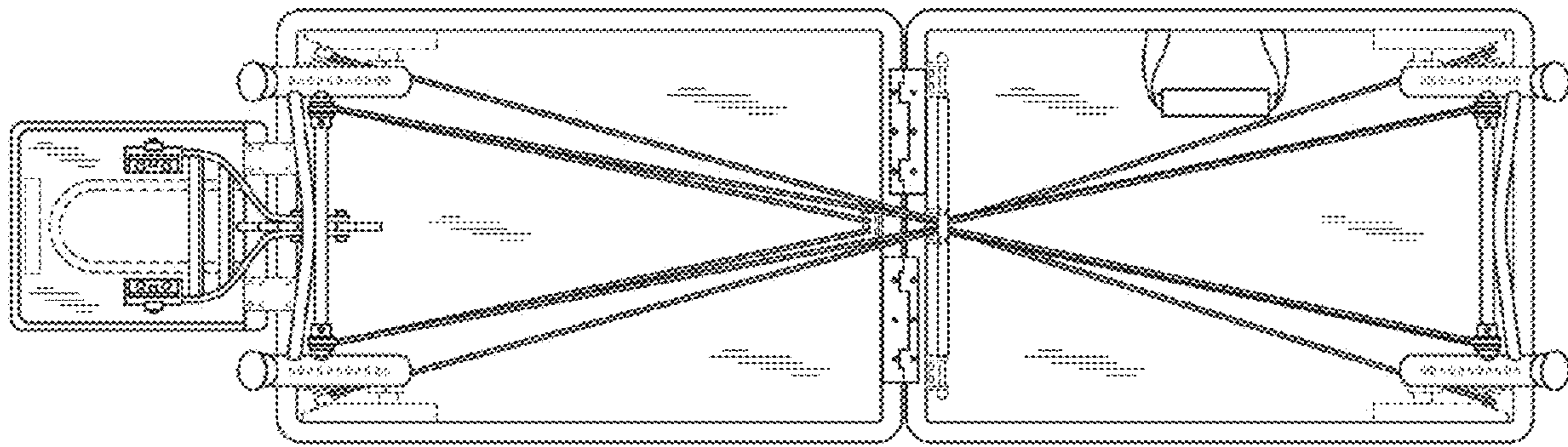


FIG. 3

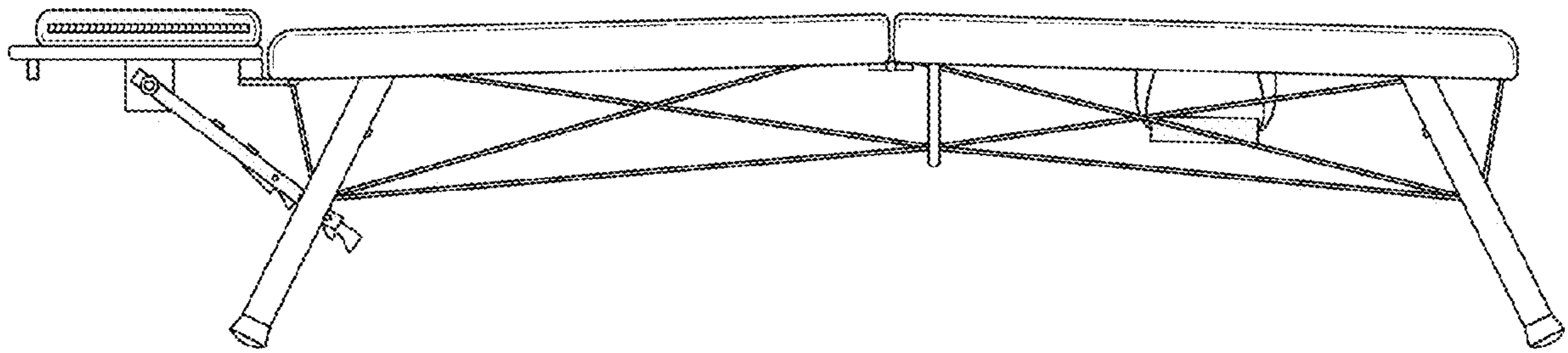


FIG. 4

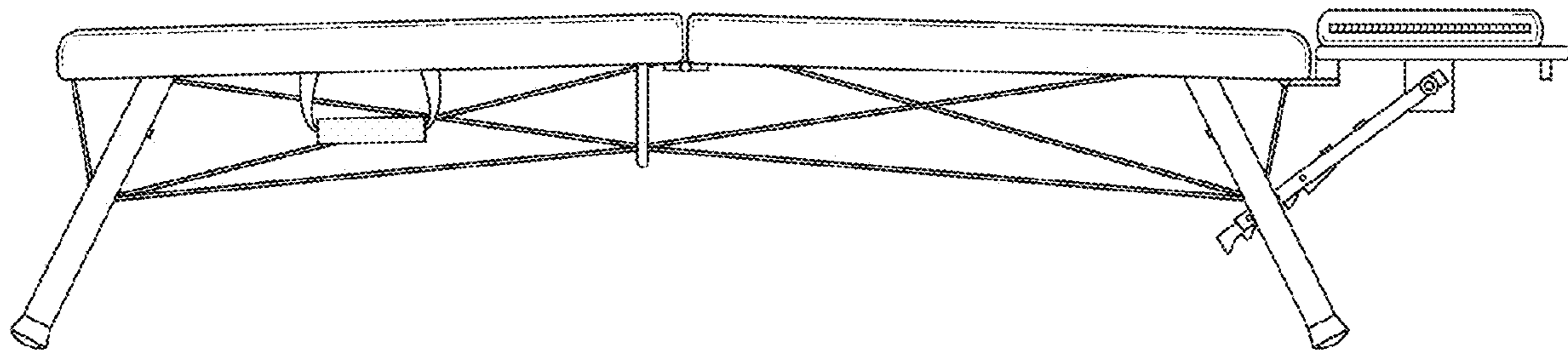


FIG. 5

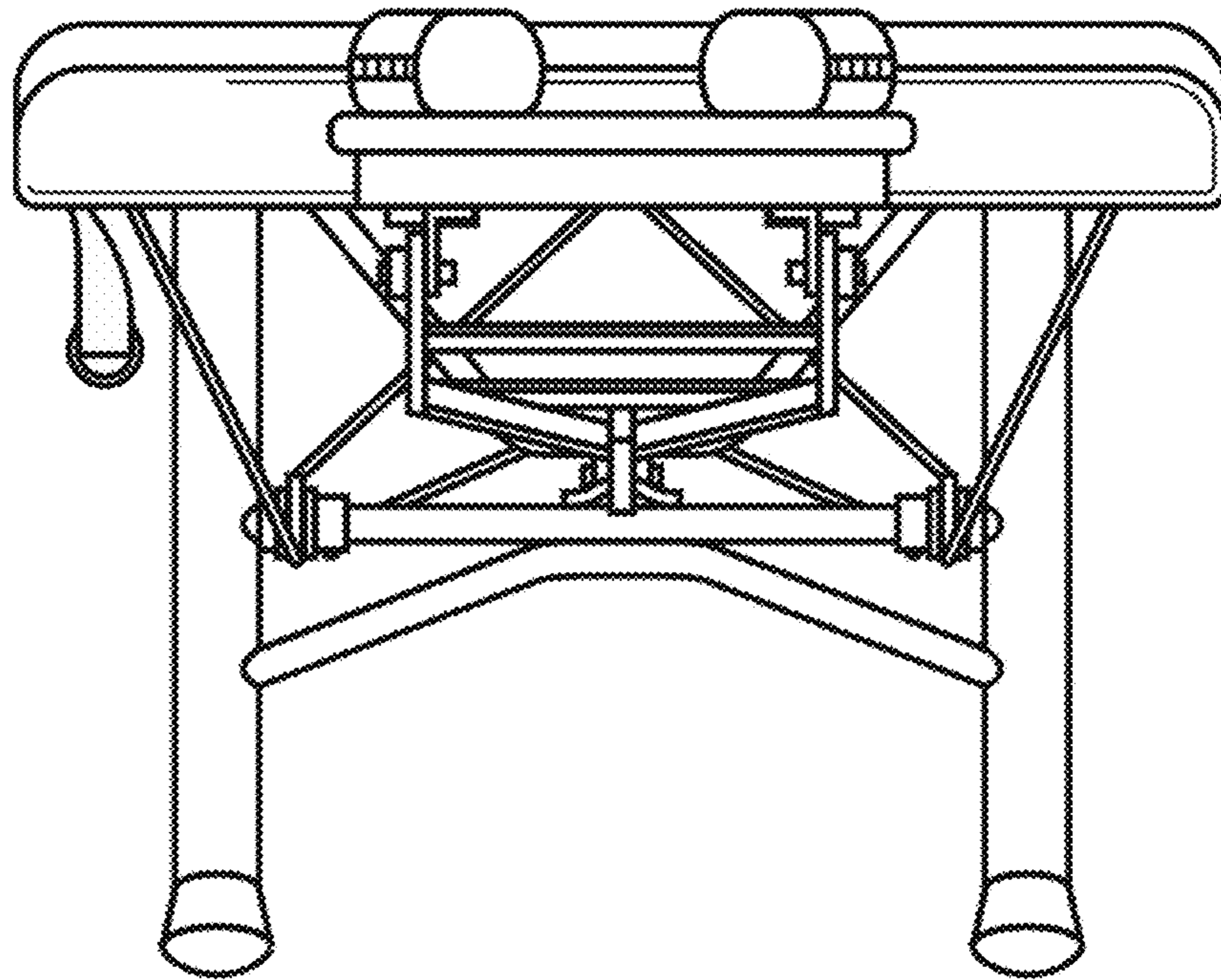


FIG. 6

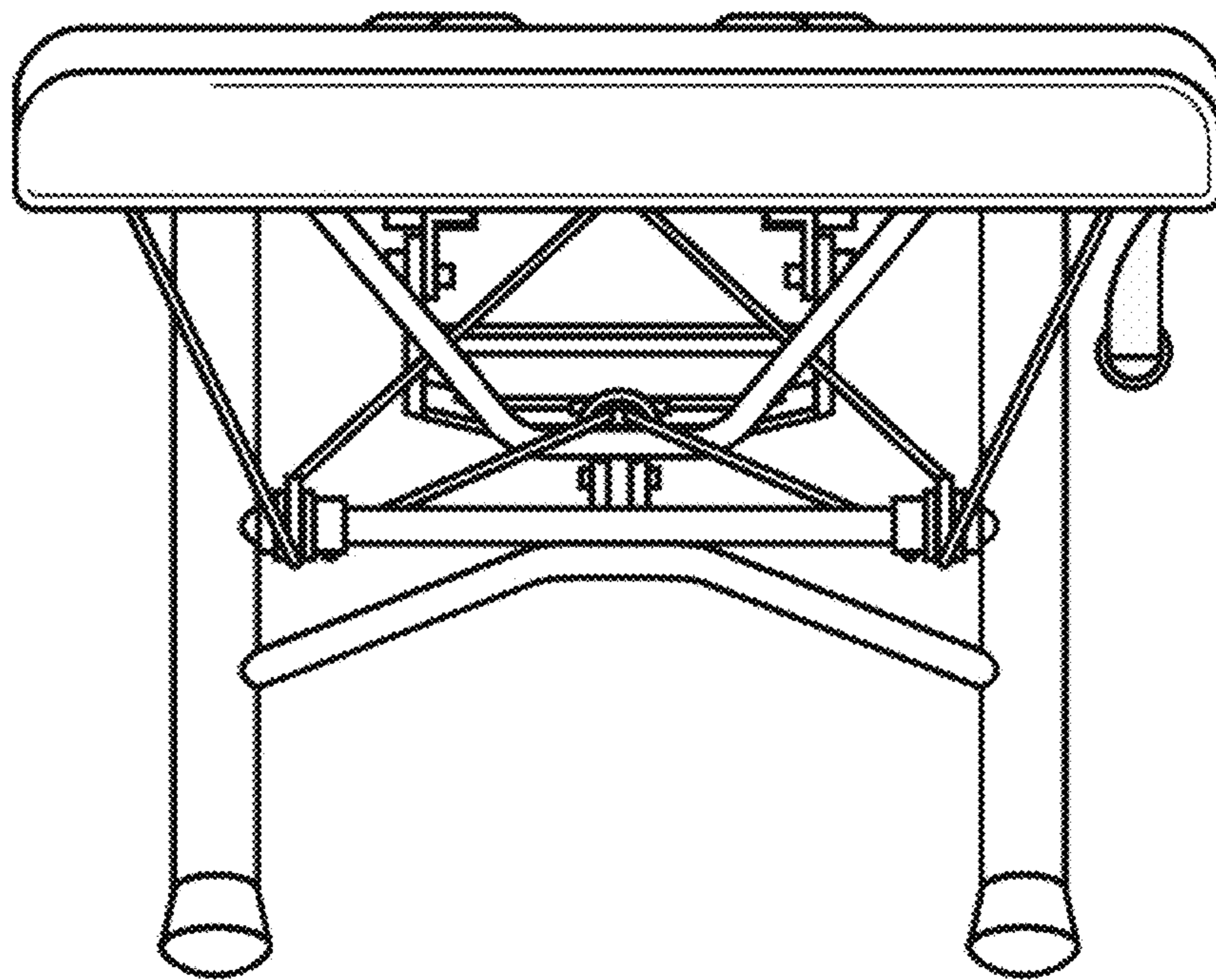


FIG. 7

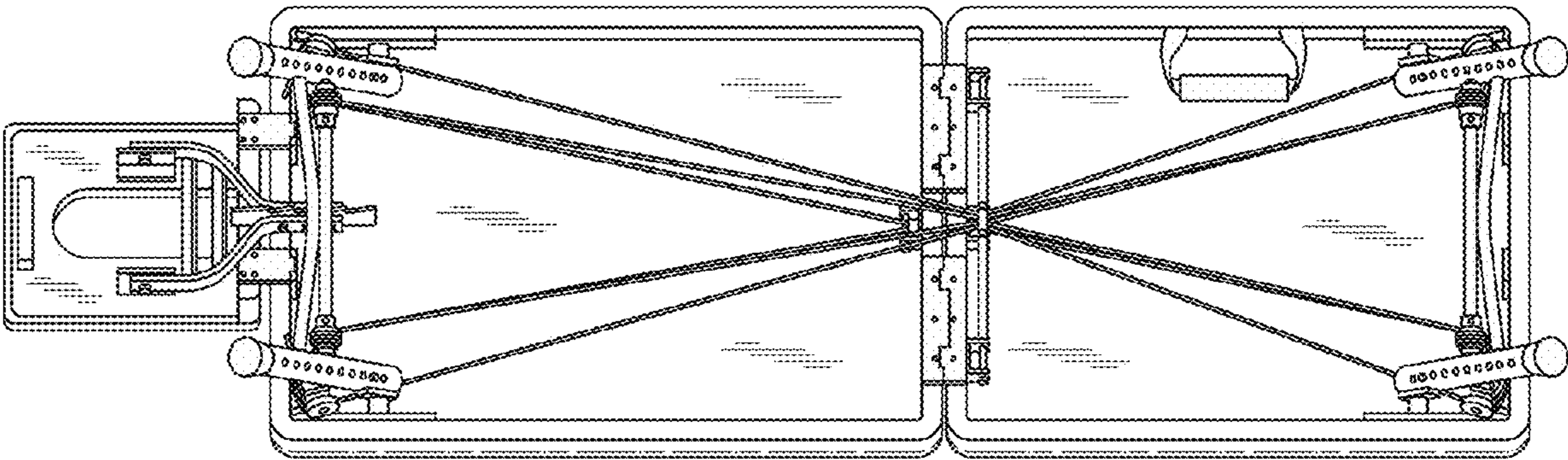


FIG. 8

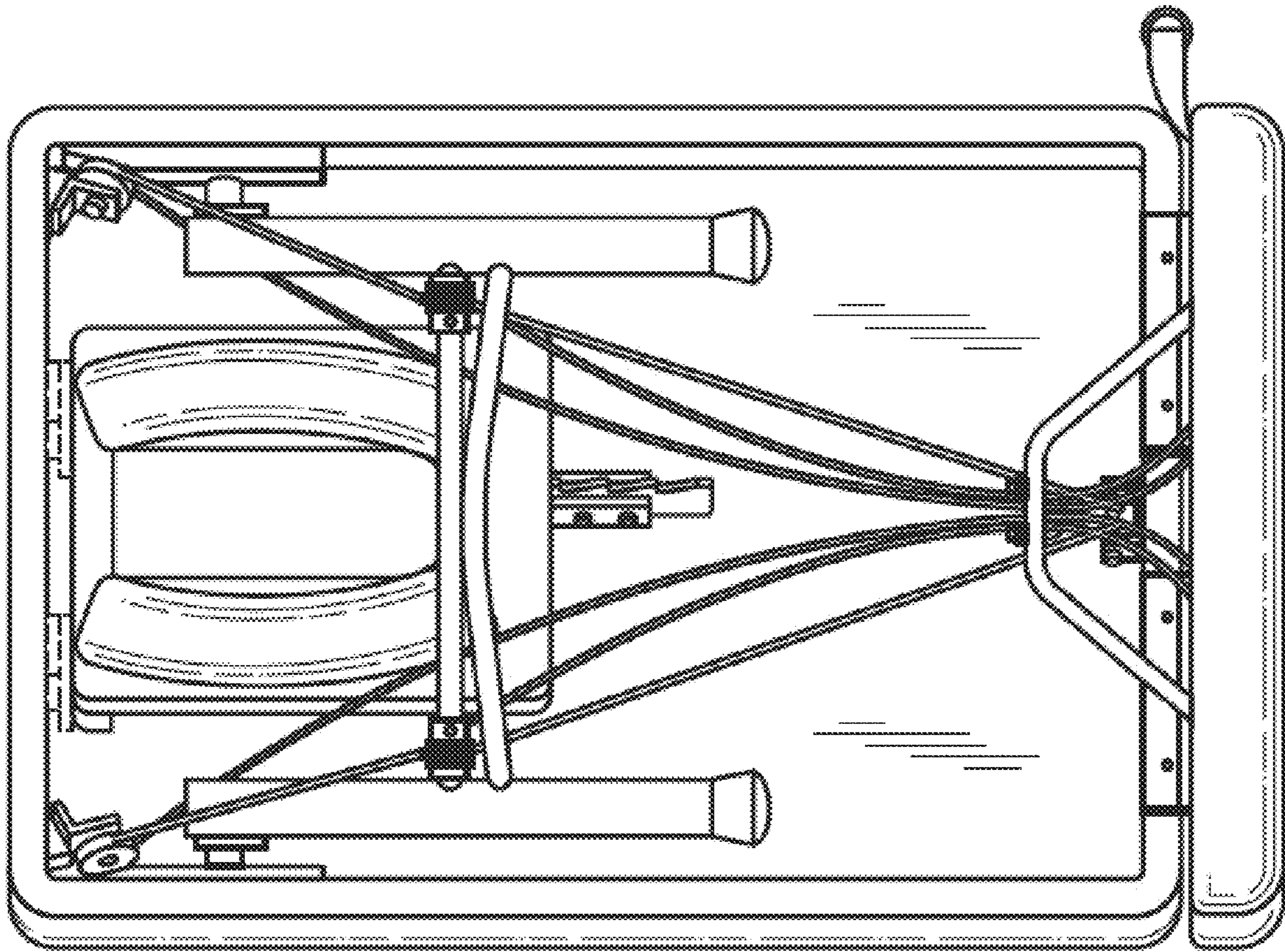


FIG. 9

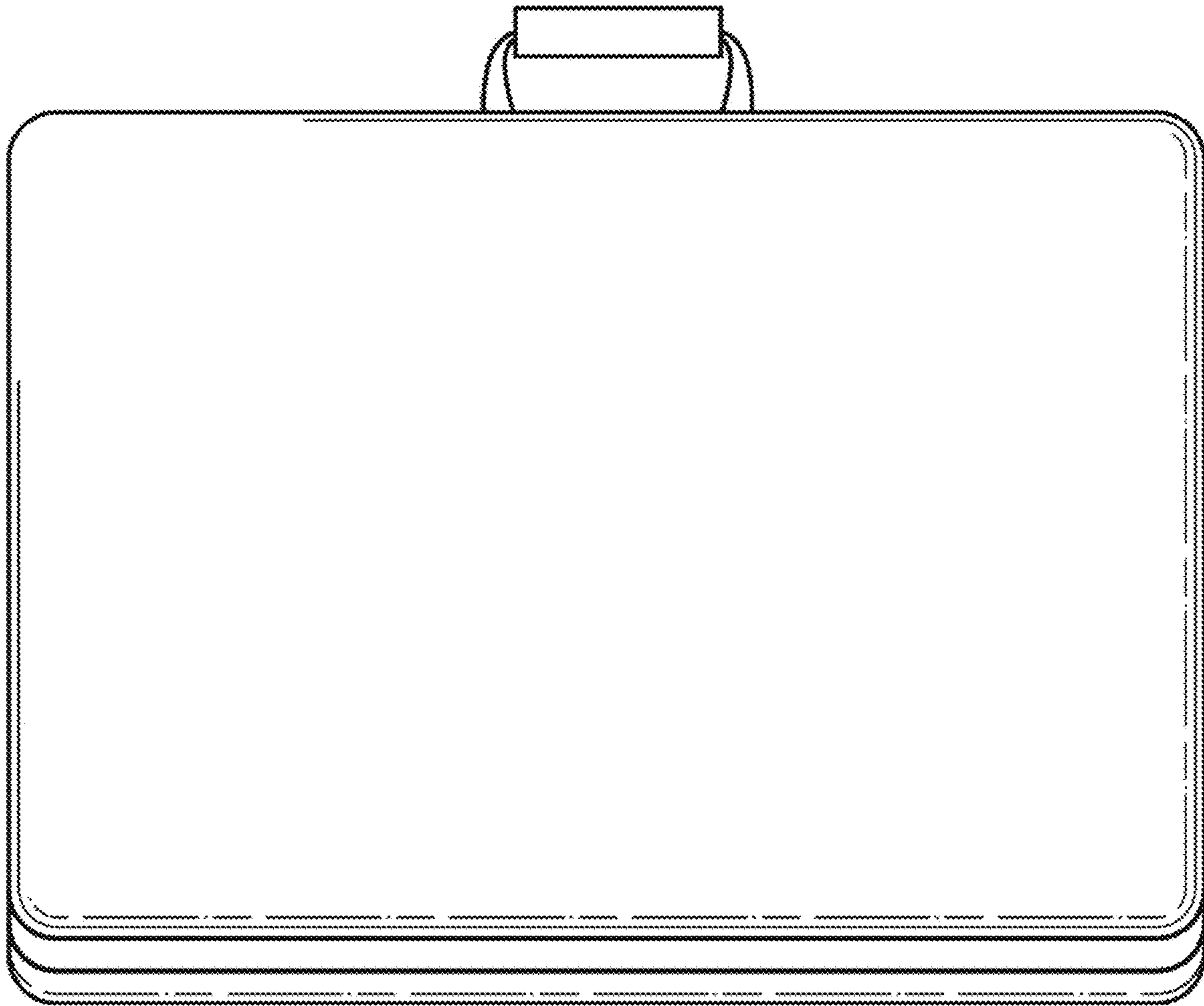


FIG. 10