

US00D948723S

(12) **United States Design Patent** (10) **Patent No.:** **US D948,723 S**  
**Yang** (45) **Date of Patent:** **\*\* Apr. 12, 2022**

(54) **INSTALLER FOR BODY FLUID ANALYTE  
DETECTION DEVICE**

(71) Applicant: **MEDTRUM TECHNOLOGIES INC.,  
Shanghai (CN)**

(72) Inventor: **Cuijun Yang, Shanghai (CN)**

(73) Assignee: **MEDTRUM TECHNOLOGIES INC.,  
Shanghai (CN)**

(\*\*) Term: **15 Years**

(21) Appl. No.: **29/752,429**

(22) Filed: **Sep. 27, 2020**

(30) **Foreign Application Priority Data**

Aug. 27, 2020 (CN) ..... 202030498263.6

(51) **LOC (13) Cl.** ..... **24-01**

(52) **U.S. Cl.**  
USPC ..... **D24/169**

(58) **Field of Classification Search**  
USPC ..... D24/107, 164, 165-169, 186, 187, 112,  
D24/114, 216; D10/81, 98; D14/341,  
D14/344

CPC ..... A61B 5/6801; A61B 5/681; A61B 5/6819;  
A61B 5/6823; A61B 5/6824; A61B  
5/02405; A61B 5/02427; A61B 5/02438;  
A61B 5/0245; A61B 5/0402; A61B  
5/0404; A61B 5/0004; A61B 5/14503;  
A61B 5/14532; A61B 5/14865; A61B  
5/6832; A61B 5/6833; A61B 5/6849;  
A61B 2560/0412; A61B 2560/0443;  
A61B 2560/0462; A61B 25/0206; A61M  
25/0206

See application file for complete search history.

(56) **References Cited**

U.S. PATENT DOCUMENTS

D691,710 S \* 10/2013 White ..... D24/107  
D914,882 S \* 3/2021 Gobrecht ..... D24/169  
D924,406 S \* 7/2021 Yee ..... D24/169  
D926,326 S \* 7/2021 Terry ..... D24/169  
2012/0010642 A1 \* 1/2012 Lee ..... A61B 5/15087  
606/182  
2016/0157759 A1 \* 6/2016 Yang ..... A61B 5/742  
600/365  
2017/0188910 A1 \* 7/2017 Halac ..... A61B 5/6849  
2019/0175819 A1 \* 6/2019 Yang ..... A61M 5/162  
2019/0307958 A1 \* 10/2019 Yang ..... A61B 5/1118

FOREIGN PATENT DOCUMENTS

CN 201330090136 \* 8/2013

\* cited by examiner

*Primary Examiner* — Anhdao Doan

(74) *Attorney, Agent, or Firm* — JCIP Global Inc.

(57) **CLAIM**

The ornamental design for an installer for body fluid analyte detection device, as shown and described.

**DESCRIPTION**

FIG. 1 is a perspective view of an installer for body fluid analyte detection device showing my new design;

FIG. 2 is a front view thereof;

FIG. 3 is a rear view thereof;

FIG. 4 is a left side view thereof;

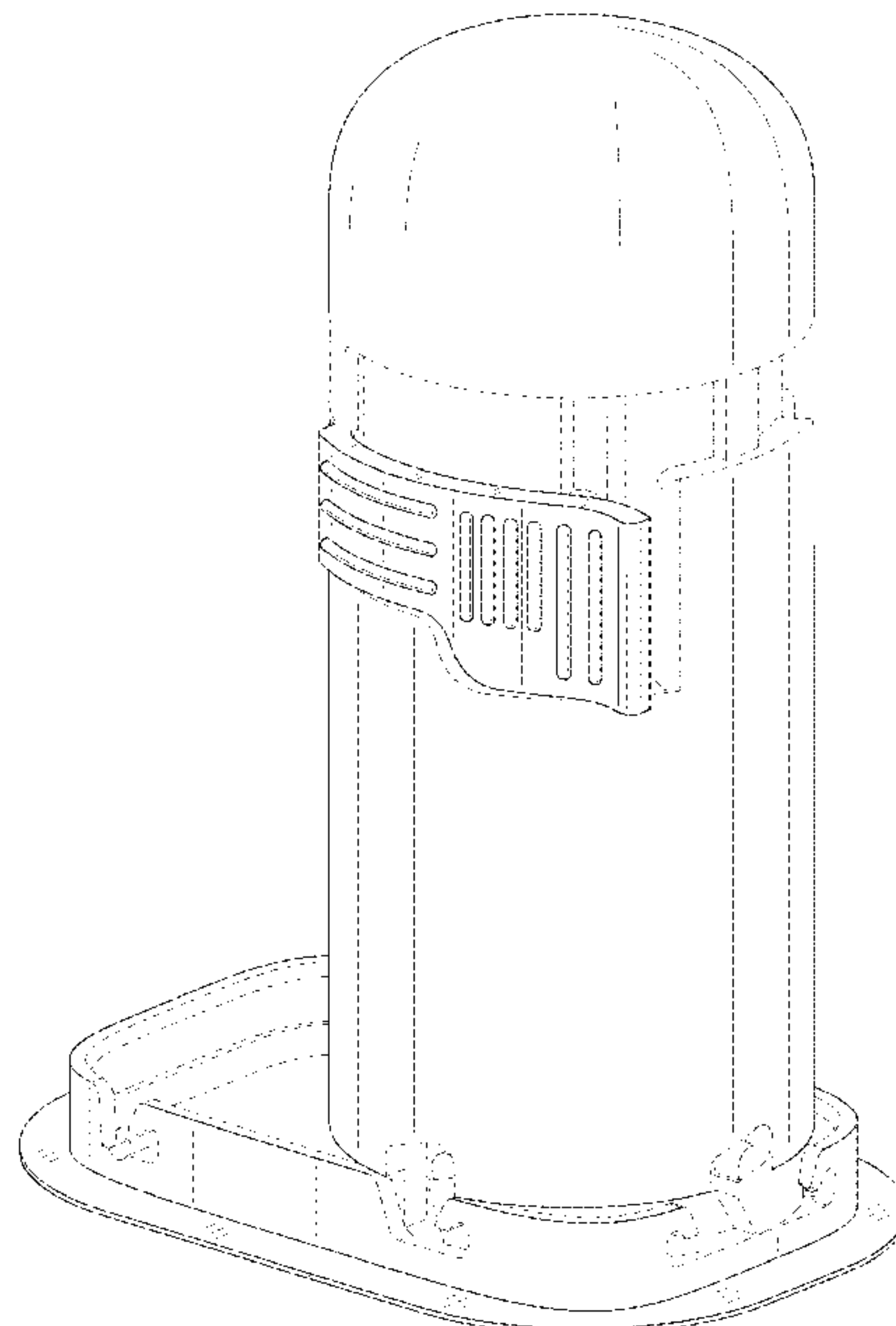
FIG. 5 is a right side view thereof;

FIG. 6 is a top view thereof; and,

FIG. 7 is a bottom view thereof.

The dashed broken lines illustrate portions of the article that form no part of the claimed design.

**1 Claim, 7 Drawing Sheets**



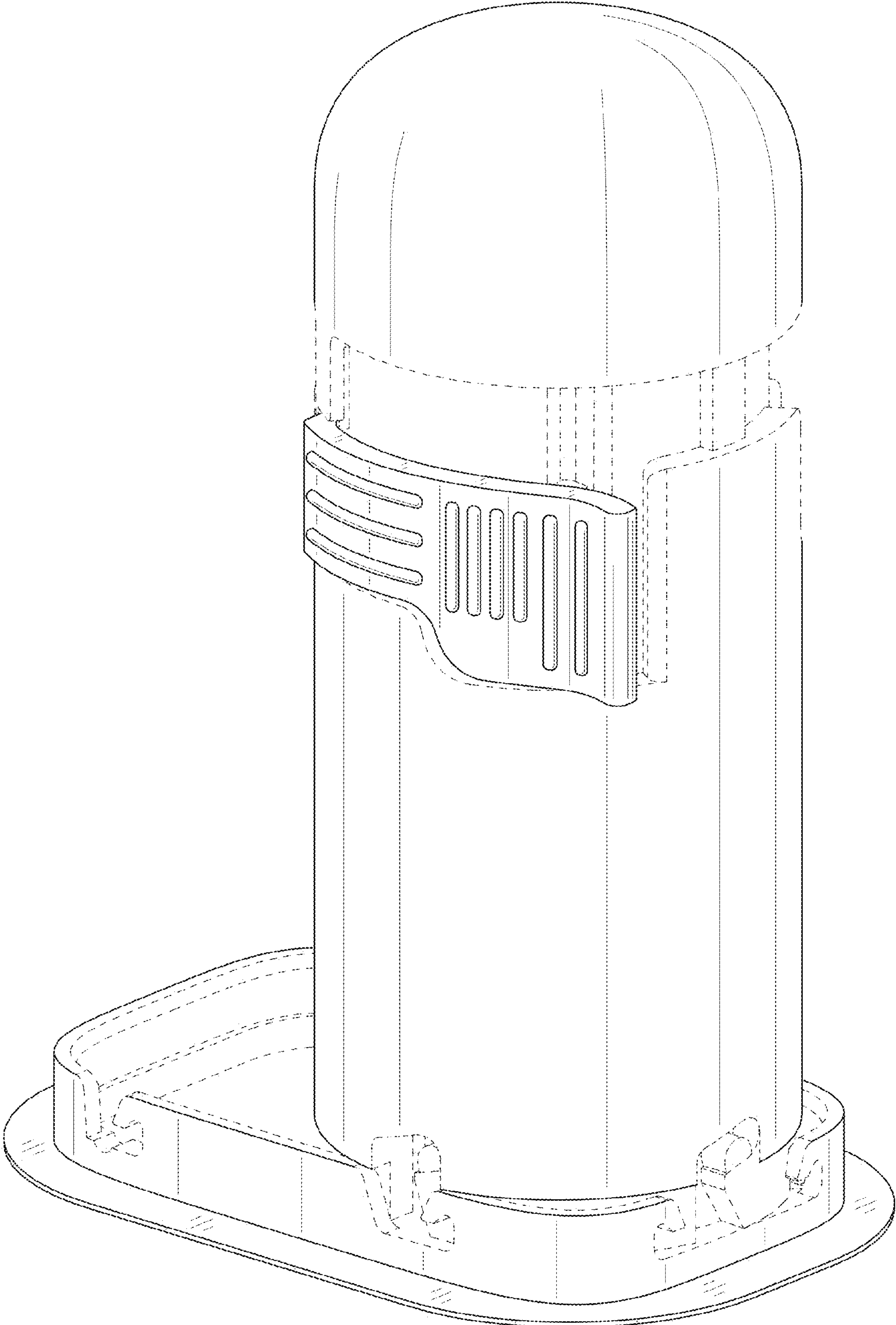


FIG. 1

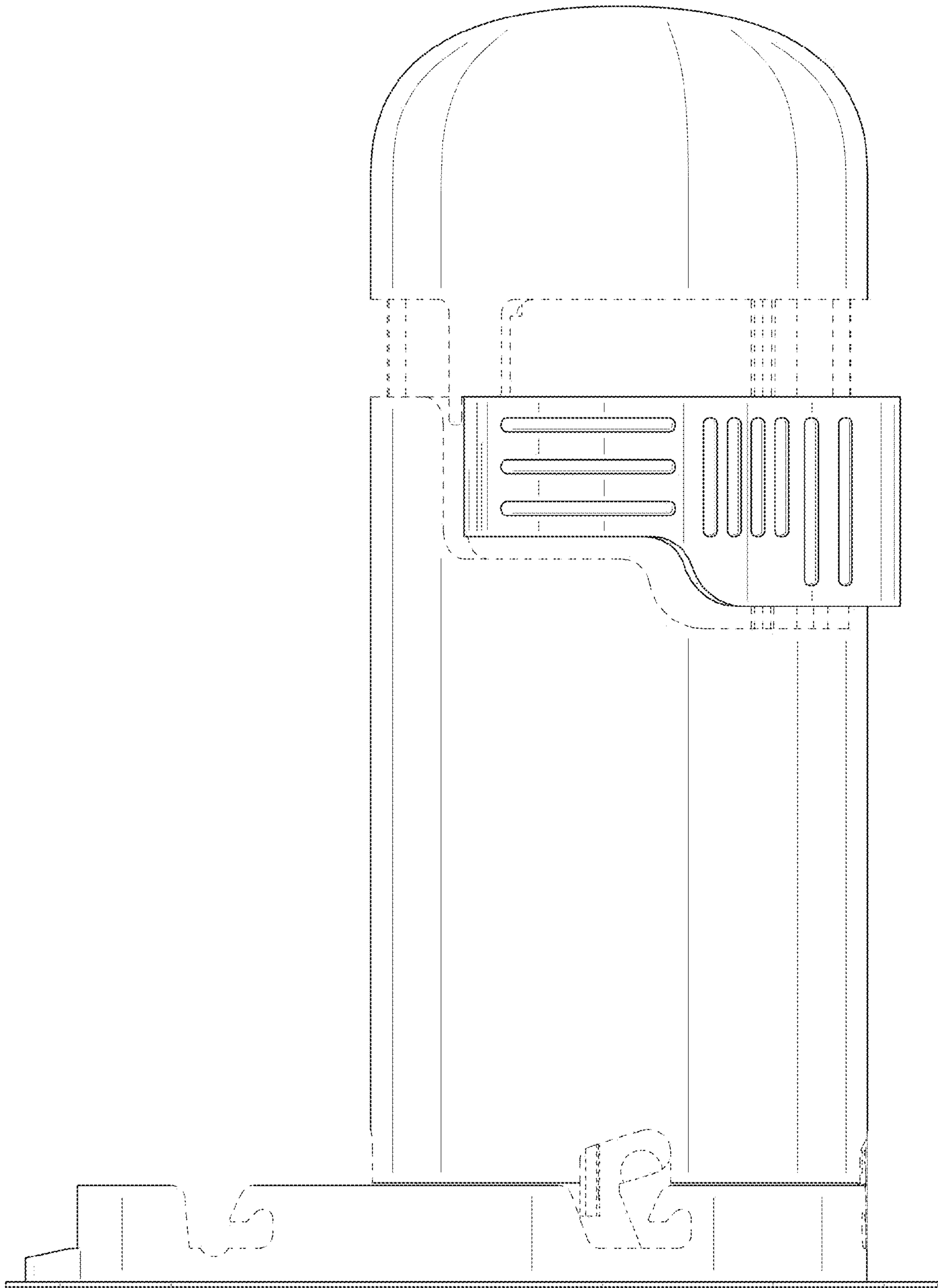


FIG. 2

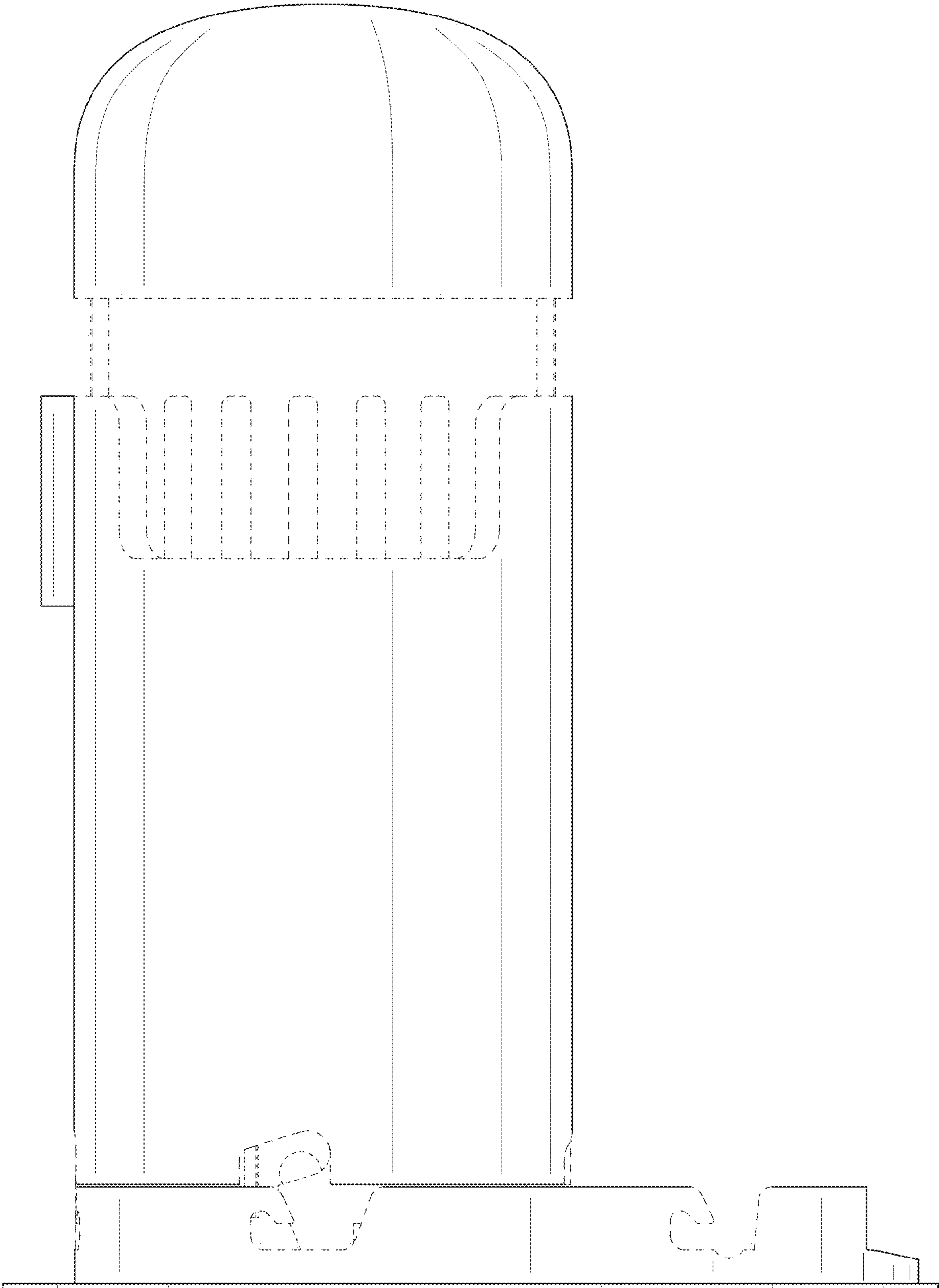


FIG. 3

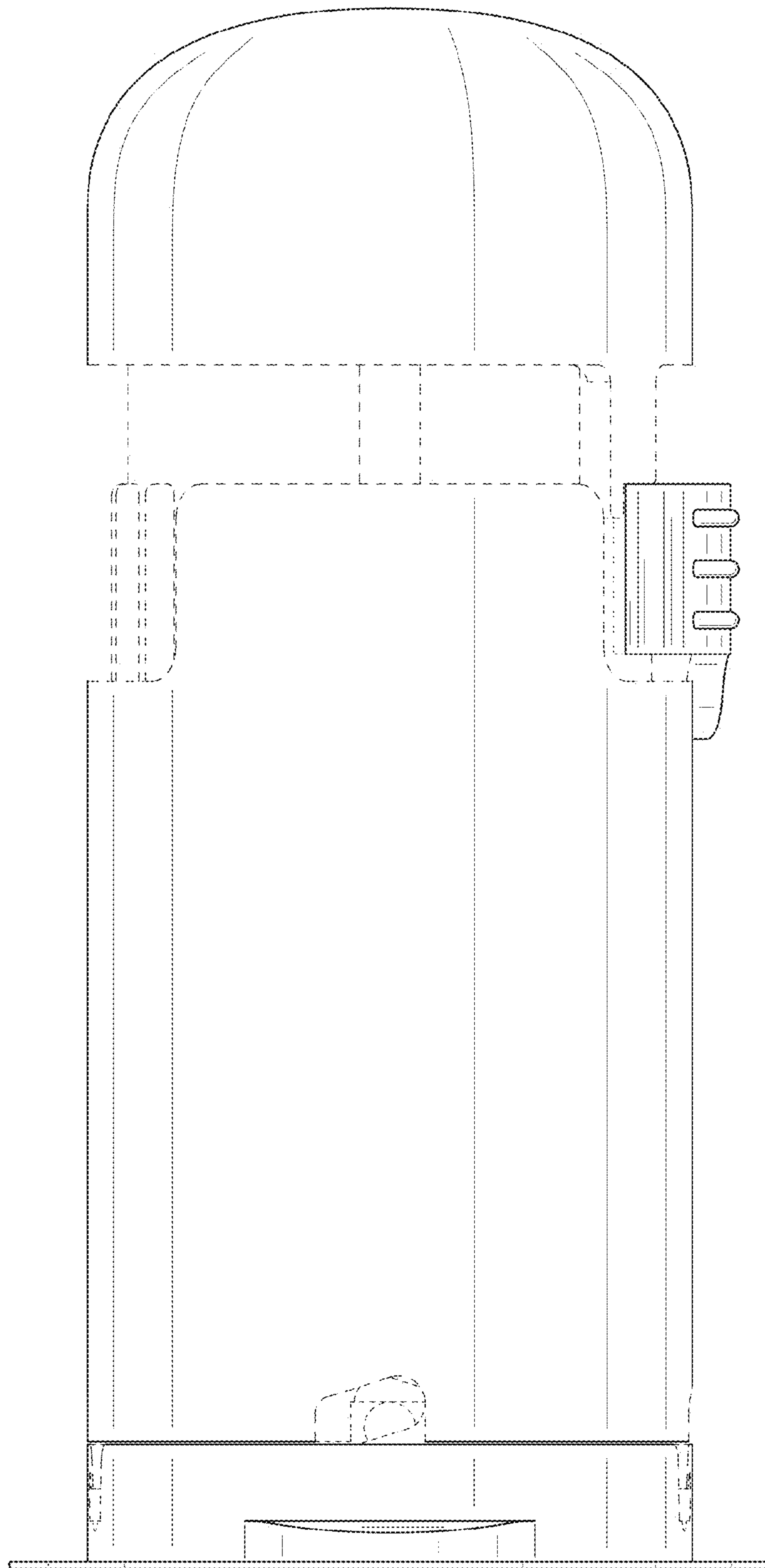


FIG. 4



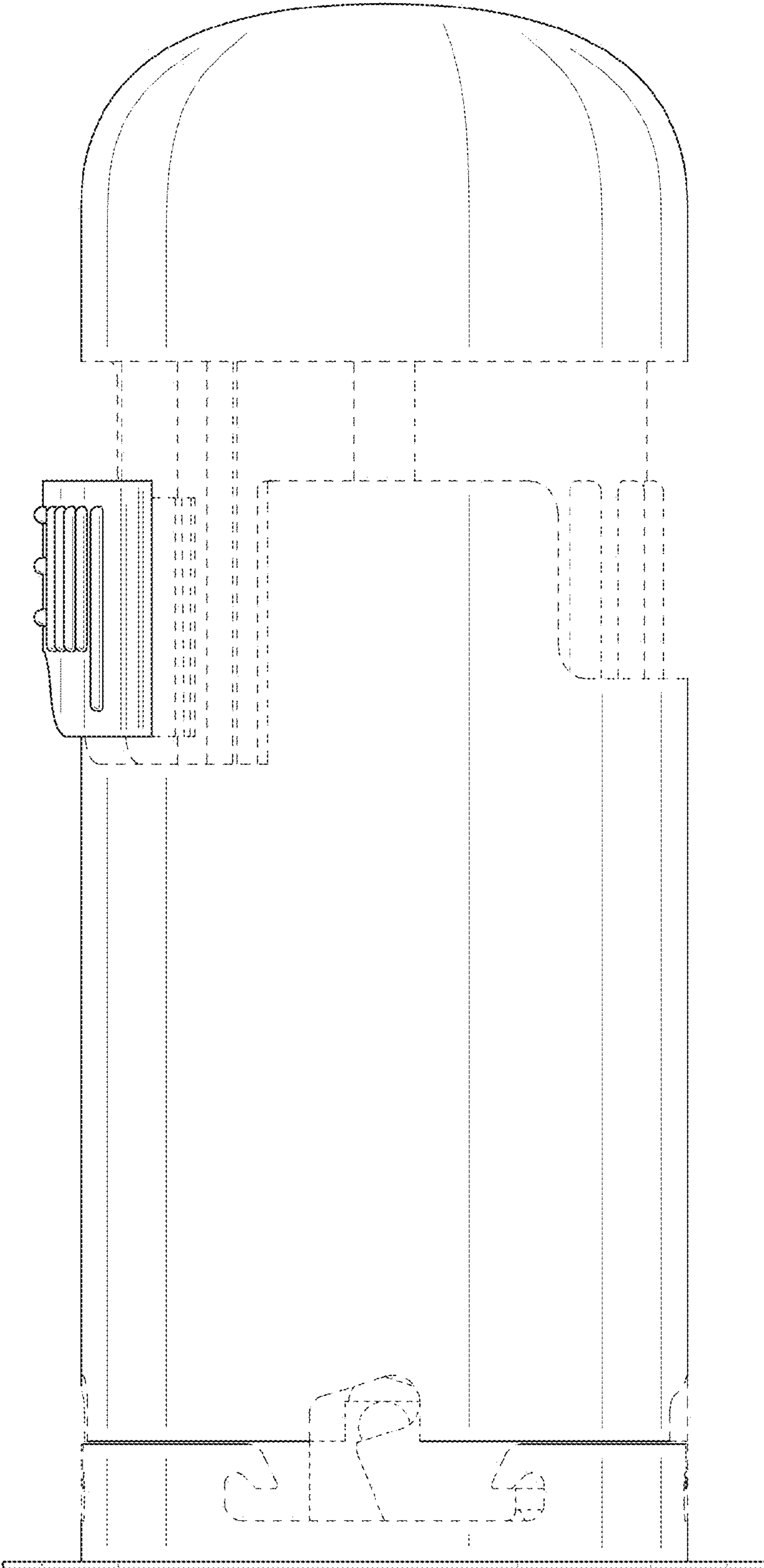


FIG. 5

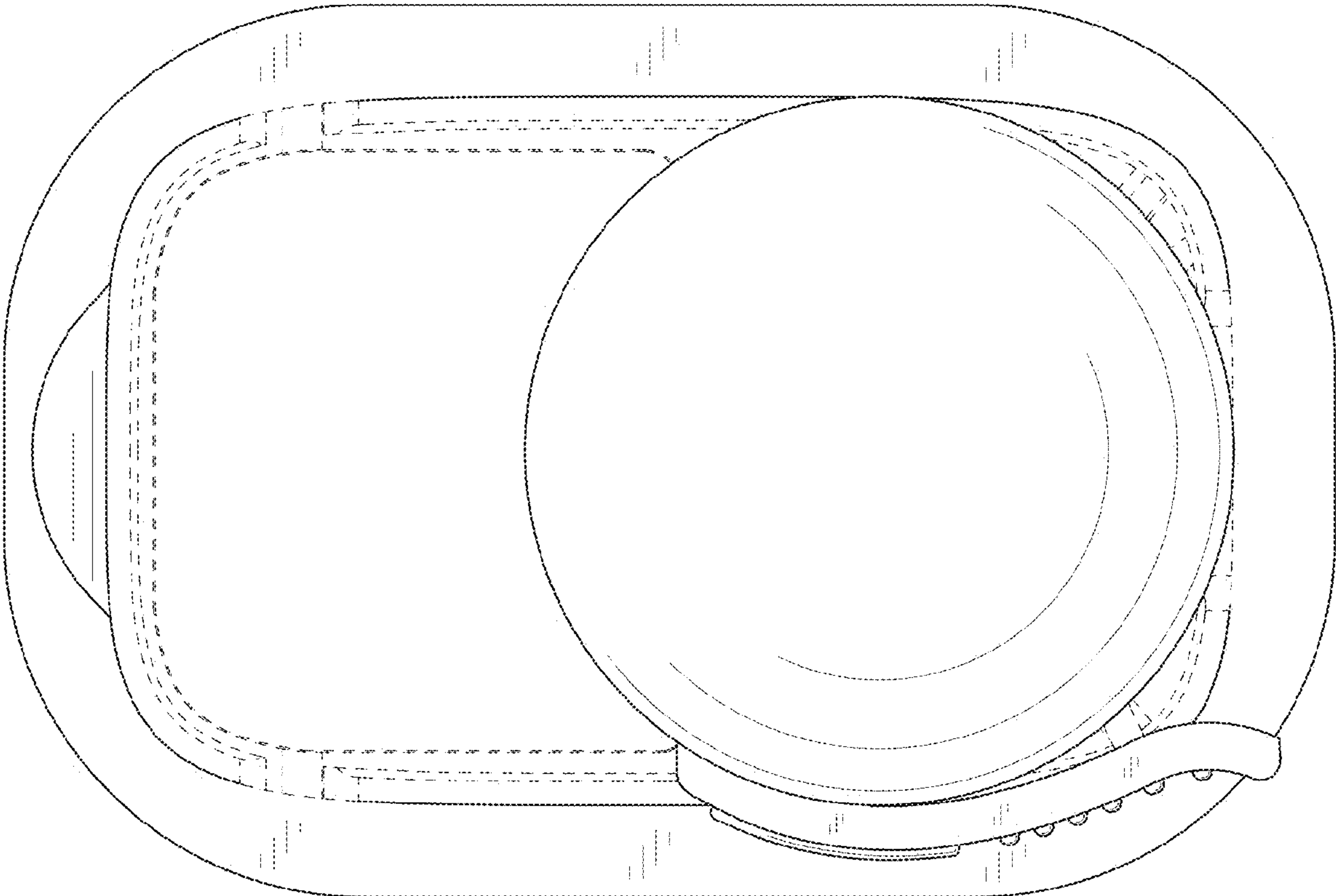


FIG. 6

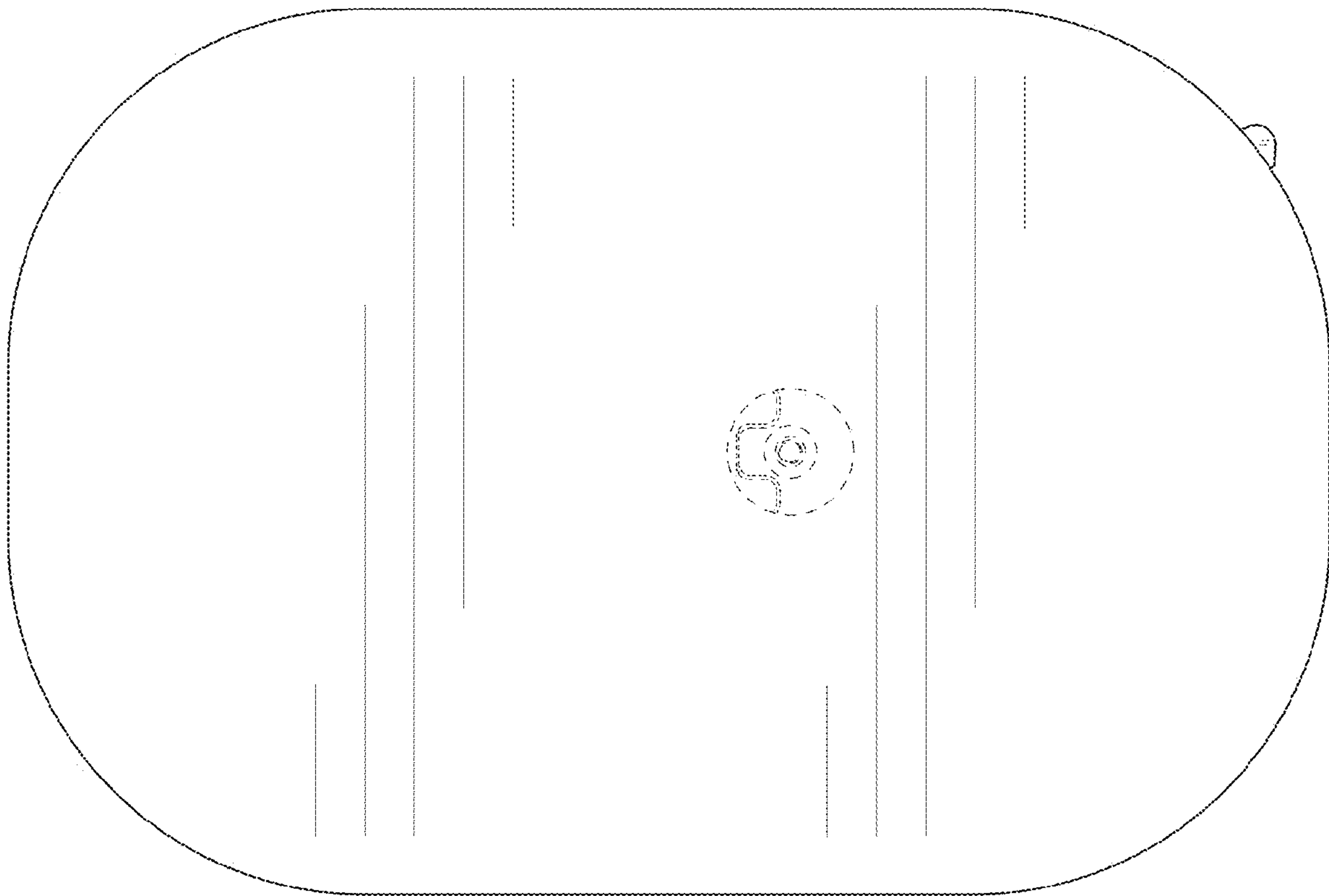


FIG. 7