



US00D948722S

(12) **United States Design Patent** (10) **Patent No.:** **US D948,722 S**
Donnay et al. (45) **Date of Patent:** **** Apr. 12, 2022**

(54) **ANALYTE SENSOR INSERTER**

A61B 2560/0412; A61B 2560/0443;
A61B 2560/0462; A61B 25/026; A61M
25/0206

(71) Applicant: **ABBOTT DIABETES CARE INC.**,
Alameda, CA (US)

See application file for complete search history.

(72) Inventors: **Manuel Luis Donnay**, San Francisco,
CA (US); **Louis G. Pace**, San Carlos,
CA (US); **Peter Schmidt**,
Fredericksburg, TX (US)

(56) **References Cited**

U.S. PATENT DOCUMENTS

(73) Assignee: **ABBOTT DIABETES CARE INC.**,
Alameda, CA (US)

3,123,790 A	3/1964	Tyler
3,260,656 A	7/1966	Ross, Jr.
3,581,062 A	5/1971	Aston
3,653,841 A	4/1972	Klein
3,670,727 A	6/1972	Reiterman
3,719,564 A	3/1973	Lilly, Jr. et al.
3,776,832 A	12/1973	Oswin et al.
3,837,339 A	9/1974	Aisenberg et al.
3,926,760 A	12/1975	Allen et al.
3,949,388 A	4/1976	Fuller
3,972,320 A	8/1976	Kalman

(**) Term: **15 Years**

(21) Appl. No.: **29/685,591**

(22) Filed: **Mar. 29, 2019**

(Continued)

Related U.S. Application Data

FOREIGN PATENT DOCUMENTS

(63) Continuation of application No. 16/002,847, filed on
Jun. 7, 2018, which is a continuation of application
No. 13/436,768, filed on Mar. 30, 2012, now Pat. No.
10,010,280, which is a continuation of application
No. 13/071,461, filed on Mar. 24, 2011, now Pat. No.
9,215,992.

CA	2291105	12/1998
DE	4401400	7/1995

(Continued)

(51) **LOC (13) Cl.** **24-01**

(52) **U.S. Cl.**
USPC **D24/169**

(58) **Field of Classification Search**
USPC D24/107, 164, 165-169, 186, 187, 112,
D24/114, 216; D10/81, 98; D14/341,
D14/344

CPC A61B 5/6801; A61B 5/681; A61B 5/6819;
A61B 5/6823; A61B 5/6824; A61B
6/02405; A61B 5/02427; A61B 5/02438;
A61B 5/0245; A61B 5/0402; A61B
5/0404; A61B 5/0004; A61B 5/14503;
A61B 5/14532; A61B 5/14865; A61B
5/6832; A61B 5/6833; A61B 5/6849;

Primary Examiner — Anhdao Doan

(74) *Attorney, Agent, or Firm* — McAndrews, Held &
Malloy, Ltd.

(57) **CLAIM**

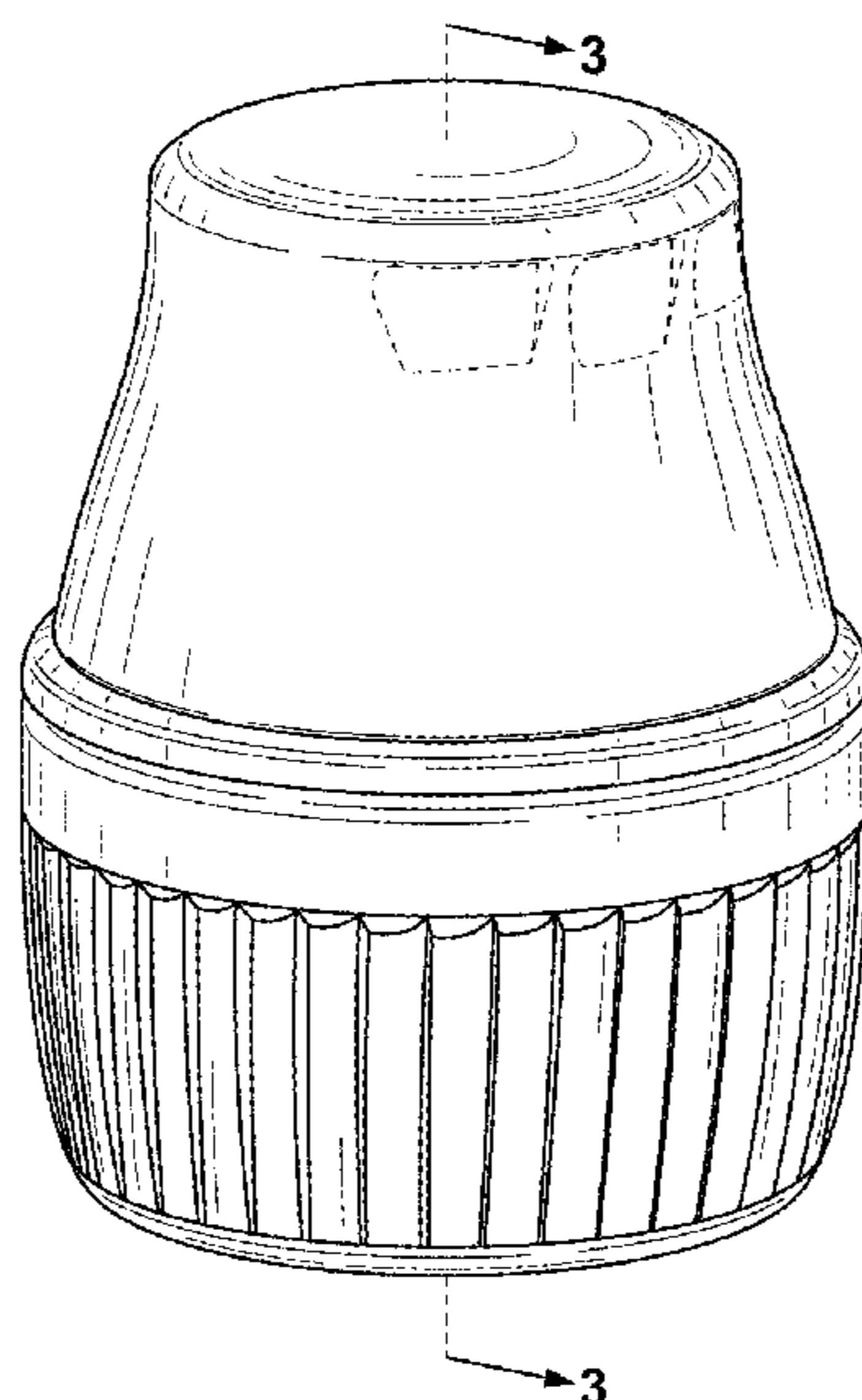
The ornamental design for an analyte sensor inserter, as
shown and described.

DESCRIPTION

FIG. 1 is a front perspective view of an analyte sensor
inserter;
FIG. 2 is a top plan view thereof; and,
FIG. 3 is a cross-sectional view taken along the line 3-3 in
FIG. 1.

The broken lines depict portions of the analyte sensor
inserter that form no part of the claimed design.

1 Claim, 2 Drawing Sheets



(56)

References Cited

U.S. PATENT DOCUMENTS

3,979,274 A	9/1976	Newman	4,671,288 A	6/1987	Gough
4,008,717 A	2/1977	Kowarski	4,679,562 A	7/1987	Luksha
4,016,866 A	4/1977	Lawton	4,680,268 A	7/1987	Clark, Jr.
4,036,749 A	7/1977	Anderson	4,682,602 A	7/1987	Prohaska
4,055,175 A	10/1977	Clemens et al.	4,684,537 A	8/1987	Graetzel et al.
4,059,406 A	11/1977	Fleet	4,685,463 A	8/1987	Williams
4,076,596 A	2/1978	Connery et al.	4,685,466 A	8/1987	Rau
4,098,574 A	7/1978	Dappen	4,698,057 A	10/1987	Joishy
4,100,048 A	7/1978	Pompei et al.	4,703,756 A	11/1987	Gough et al.
4,120,292 A	10/1978	LeBlanc, Jr. et al.	4,711,245 A	12/1987	Higgins et al.
4,129,128 A	12/1978	McFarlane	4,711,247 A	12/1987	Fishman
4,151,845 A	5/1979	Clemens	4,717,673 A	1/1988	Wrighton et al.
4,168,205 A	9/1979	Danninger et al.	4,721,601 A	1/1988	Wrighton et al.
4,172,770 A	10/1979	Semersky et al.	4,721,677 A	1/1988	Clark, Jr.
4,178,916 A	12/1979	McNamara	4,726,378 A	2/1988	Kaplan
4,206,755 A	6/1980	Klein	4,726,716 A	2/1988	McGuire
4,224,125 A	9/1980	Nakamura et al.	4,729,672 A	3/1988	Takagi
4,240,438 A	12/1980	Updike et al.	4,731,726 A	3/1988	Allen, III
4,245,634 A	1/1981	Albisser et al.	4,749,985 A	6/1988	Corsberg
4,247,297 A	1/1981	Berti et al.	4,755,173 A	7/1988	Konopka
4,294,258 A	10/1981	Bernard	4,757,022 A	7/1988	Shults et al.
4,327,725 A	5/1982	Cortese et al.	4,758,323 A	7/1988	Davis et al.
4,340,458 A	7/1982	Lerner et al.	4,759,371 A	7/1988	Franetzki
4,344,438 A	8/1982	Schultz	4,759,828 A	7/1988	Young et al.
4,349,728 A	9/1982	Phillips et al.	4,764,416 A	8/1988	Ueyama et al.
4,352,960 A	10/1982	Dormer et al.	4,776,944 A	10/1988	Janata et al.
4,356,074 A	10/1982	Johnson	4,777,953 A	10/1988	Ash et al.
4,365,637 A	12/1982	Johnson	4,779,618 A	10/1988	Mund et al.
4,366,033 A	12/1982	Richter et al.	4,781,683 A	11/1988	Wozniak et al.
4,373,527 A	2/1983	Fischell	4,781,798 A	11/1988	Gough
4,375,399 A	3/1983	Havas et al.	4,784,736 A	11/1988	Lonsdale et al.
4,384,586 A	5/1983	Christiansen	4,795,707 A	1/1989	Niiyama et al.
4,390,621 A	6/1983	Bauer	4,796,634 A	1/1989	Huntsman et al.
4,401,122 A	8/1983	Clark, Jr.	4,805,624 A	2/1989	Yao et al.
4,404,066 A	9/1983	Johnson	4,813,424 A	3/1989	Wilkins
4,418,148 A	11/1983	Oberhardt	4,815,469 A	3/1989	Cohen et al.
4,425,920 A	1/1984	Bourland et al.	4,820,399 A	4/1989	Senda et al.
4,427,770 A	1/1984	Chen et al.	4,822,337 A	4/1989	Newhouse et al.
4,431,004 A	2/1984	Bessman et al.	4,830,959 A	5/1989	McNeil et al.
4,436,094 A	3/1984	Mi	4,832,797 A	5/1989	Vadgama et al.
4,440,175 A	4/1984	Wilkins	RE32,947 E	6/1989	Dormer et al.
4,450,842 A	5/1984	Zick et al.	4,840,893 A	6/1989	Hill et al.
4,458,686 A	7/1984	Clark, Jr.	4,848,351 A	7/1989	Finch
4,461,691 A	7/1984	Frank	4,854,322 A	8/1989	Ash et al.
4,469,110 A	9/1984	Slama	4,871,351 A	10/1989	Feingold
4,477,314 A	10/1984	Richter et al.	4,871,440 A	10/1989	Nagata et al.
4,478,976 A	10/1984	Goertz et al.	4,874,500 A	10/1989	Madou et al.
4,484,987 A	11/1984	Gough	4,890,620 A	1/1990	Gough
4,494,950 A	1/1985	Fischell	4,894,137 A	1/1990	Takizawa et al.
4,509,531 A	4/1985	Ward	4,895,147 A	1/1990	Bodicky et al.
4,522,690 A	6/1985	Venkatesetty	4,897,162 A	1/1990	Lewandowski et al.
4,524,114 A	6/1985	Samuels et al.	4,897,173 A	1/1990	Nankai et al.
4,526,661 A	7/1985	Steckhan et al.	4,909,908 A	3/1990	Ross et al.
4,527,240 A	7/1985	Kvitash	4,911,794 A	3/1990	Parce et al.
4,534,356 A	8/1985	Papadakis	4,917,800 A	4/1990	Lonsdale et al.
4,538,616 A	9/1985	Rogoff	4,919,141 A	4/1990	Zier et al.
4,543,955 A	10/1985	Schroepfel	4,919,767 A	4/1990	Vadgama et al.
4,545,382 A	10/1985	Higgins et al.	4,921,199 A	5/1990	Villaveces
4,552,840 A	11/1985	Riffer	4,923,586 A	5/1990	Katayama et al.
4,560,534 A	12/1985	Kung et al.	4,925,268 A	5/1990	Iyer et al.
4,571,292 A	2/1986	Liu et al.	4,927,516 A	5/1990	Yamaguchi et al.
4,573,994 A	3/1986	Fischell et al.	4,934,369 A	6/1990	Maxwell
4,581,336 A	4/1986	Malloy et al.	4,935,105 A	6/1990	Churchouse
4,595,011 A	6/1986	Phillips	4,935,345 A	6/1990	Guibeau et al.
4,619,754 A	10/1986	Niki et al.	4,938,860 A	7/1990	Wogoman
4,619,793 A	10/1986	Lee	4,944,299 A	7/1990	Silvian
4,627,445 A	12/1986	Garcia et al.	4,950,378 A	8/1990	Nagara
4,627,842 A	12/1986	Katz	4,953,552 A	9/1990	DeMarzo
4,627,908 A	12/1986	Miller	4,954,129 A	9/1990	Giuliani et al.
4,633,878 A	1/1987	Bombardieri	4,969,468 A	11/1990	Byers et al.
4,637,403 A	1/1987	Garcia et al.	4,970,145 A	11/1990	Bennetto et al.
4,650,547 A	3/1987	Gough	4,974,929 A	12/1990	Curry
4,654,197 A	3/1987	Lilja et al.	4,986,271 A	1/1991	Wilkins
4,655,880 A	4/1987	Liu	4,988,341 A	1/1991	Columbus et al.
4,655,885 A	4/1987	Hill et al.	4,994,167 A	2/1991	Shults et al.
			4,995,402 A	2/1991	Smith et al.
			5,000,180 A	3/1991	Kuypers et al.
			5,001,054 A	3/1991	Wagner
			5,013,161 A	5/1991	Zaragoza et al.

(56)

References Cited

U.S. PATENT DOCUMENTS

5,019,974 A	5/1991	Beckers	5,400,782 A	3/1995	Beaubiah
5,035,860 A	7/1991	Kleingeld et al.	5,408,999 A	4/1995	Singh et al.
5,036,860 A	8/1991	Leigh et al.	5,411,647 A	5/1995	Johnson et al.
5,047,044 A	9/1991	Smith et al.	5,425,361 A	6/1995	Fenzlein et al.
5,050,612 A	9/1991	Matsumura	5,431,160 A	7/1995	Wilkins
5,055,171 A	10/1991	Peck	5,431,921 A	7/1995	Thombre
5,058,592 A	10/1991	Whisler	5,437,999 A	8/1995	Diebold et al.
5,070,535 A	12/1991	Hochmair et al.	5,462,645 A	10/1995	Albery et al.
5,082,550 A	1/1992	Rishpon et al.	5,469,846 A	11/1995	Khan
5,082,786 A	1/1992	Nakamoto	5,472,317 A	12/1995	Field et al.
5,089,112 A	2/1992	Skotheim et al.	5,489,414 A	2/1996	Schreiber et al.
5,095,904 A	3/1992	Seligman et al.	5,491,474 A	2/1996	Suni et al.
5,101,814 A	4/1992	Palti	5,494,562 A	2/1996	Maley et al.
5,106,365 A	4/1992	Hernandez	5,496,453 A	3/1996	Uenoyama et al.
5,108,564 A	4/1992	Szuminsky et al.	5,497,772 A	3/1996	Schulman et al.
5,108,889 A	4/1992	Smith et al.	5,507,288 A	4/1996	Bocker et al.
5,109,850 A	5/1992	Blanco et al.	5,509,410 A	4/1996	Hill et al.
5,120,420 A	6/1992	Nankai et al.	5,514,718 A	5/1996	Lewis et al.
5,122,925 A	6/1992	Inpyun	5,527,288 A	6/1996	Gross et al.
5,126,034 A	6/1992	Carter et al.	5,531,878 A	7/1996	Vadgama et al.
5,133,856 A	7/1992	Yamaguchi et al.	5,545,191 A	8/1996	Mann et al.
5,135,003 A	8/1992	Souma	5,551,427 A	9/1996	Altman
5,140,985 A	8/1992	Schroeder et al.	5,560,357 A	10/1996	Faupei et al.
5,141,868 A	8/1992	Shanks et al.	5,562,713 A	10/1996	Silvian
5,161,532 A	11/1992	Joseph	5,565,085 A	10/1996	Ikeda et al.
5,165,407 A	11/1992	Wilson et al.	5,567,302 A	10/1996	Song et al.
5,174,291 A	12/1992	Schoonen et al.	5,568,806 A	10/1996	Cheney, II et al.
5,190,041 A	3/1993	Palti	5,569,186 A	10/1996	Lord et al.
5,192,416 A	3/1993	Wang et al.	5,575,563 A	11/1996	Chiu et al.
5,198,367 A	3/1993	Aizawa et al.	5,582,184 A	12/1996	Erickson et al.
5,202,261 A	4/1993	Musho et al.	5,582,697 A	12/1996	Ikeda et al.
5,205,920 A	4/1993	Oyama et al.	5,582,698 A	12/1996	Flaherty et al.
5,208,154 A	5/1993	Weaver et al.	5,584,813 A	12/1996	Livingston et al.
5,209,229 A	5/1993	Gilli	5,586,553 A	12/1996	Halli et al.
5,217,595 A	6/1993	Smith et al.	5,589,326 A	12/1996	Deng et al.
5,229,282 A	7/1993	Yoshioka et al.	5,593,852 A	1/1997	Heller et al.
5,234,835 A	8/1993	Nestor et al.	5,596,150 A	1/1997	Arndt et al.
5,238,729 A	8/1993	Debe	5,601,435 A	2/1997	Quy
5,246,867 A	9/1993	Lakowicz et al.	5,609,575 A	3/1997	Larson et al.
5,250,439 A	10/1993	Musho et al.	5,613,978 A	3/1997	Harding
5,262,035 A	11/1993	Gregg et al.	5,617,851 A	4/1997	Lipkovker
5,262,305 A	11/1993	Heller et al.	5,628,310 A	5/1997	Rao et al.
5,264,103 A	11/1993	Yoshioka et al.	5,628,890 A	5/1997	Carter et al.
5,264,104 A	11/1993	Gregg et al.	5,632,557 A	5/1997	Simons
5,264,105 A	11/1993	Gregg et al.	5,640,954 A	6/1997	Pfeiffer et al.
5,264,106 A	11/1993	McAleer et al.	5,651,869 A	7/1997	Yoshioka et al.
5,271,815 A	12/1993	Wong	5,653,239 A	8/1997	Pompei et al.
5,279,294 A	1/1994	Anderson	5,660,163 A	8/1997	Schulman et al.
5,284,156 A	2/1994	Schramm et al.	5,665,071 A	9/1997	Wyrick
5,285,792 A	2/1994	Sjoquist et al.	5,665,222 A	9/1997	Heller et al.
5,286,362 A	2/1994	Hoenes et al.	5,670,031 A	9/1997	Hintsche et al.
5,286,364 A	2/1994	Yacynych et al.	5,680,858 A	10/1997	Hansen et al.
5,288,636 A	2/1994	Pollmann et al.	5,682,233 A	10/1997	Brinda
5,293,546 A	3/1994	Tadros et al.	5,695,623 A	12/1997	Michel et al.
5,293,877 A	3/1994	O'Hara et al.	5,708,247 A	1/1998	McAleer et al.
5,299,571 A	4/1994	Mastrototaro	5,711,001 A	1/1998	Bussan et al.
5,320,098 A	6/1994	Davidson	5,711,297 A	1/1998	Illif et al.
5,320,725 A	6/1994	Gregg et al.	5,711,861 A	1/1998	Ward et al.
5,322,063 A	6/1994	Allen et al.	5,711,862 A	1/1998	Sakoda et al.
5,337,747 A	8/1994	Neffel	5,733,044 A	3/1998	Rose et al.
5,340,722 A	8/1994	Wolfbeis et al.	5,749,656 A	3/1998	Boehm et al.
5,342,789 A	8/1994	Chick et al.	5,735,285 A	4/1998	Albert et al.
5,352,348 A	10/1994	Young et al.	5,741,211 A	4/1998	Renirie et al.
5,356,786 A	10/1994	Heller et al.	5,766,131 A	6/1998	Kondo et al.
5,360,404 A	11/1994	Novacek et al.	5,771,001 A	6/1998	Cobb
5,368,028 A	11/1994	Palti	5,772,586 A	6/1998	Heinonen et al.
5,372,133 A	12/1994	Hogen Esch	5,779,665 A	7/1998	Mastrototaro et al.
5,372,427 A	12/1994	Padovani et al.	5,791,344 A	8/1998	Schulman et al.
5,376,251 A	12/1994	Kaneko et al.	5,800,420 A	9/1998	Gross et al.
5,378,628 A	1/1995	Gratzel et al.	5,807,375 A	9/1998	Gross et al.
5,379,238 A	1/1995	Stark	5,820,551 A	10/1998	Hill et al.
5,387,327 A	2/1995	Khan	5,820,622 A	10/1998	Gross et al.
5,390,671 A	2/1995	Lord et al.	5,822,715 A	10/1998	Worthington et al.
5,391,250 A	2/1995	Cheney, II et al.	5,827,184 A	10/1998	Netherly et al.
5,395,504 A	3/1995	Saurer et al.	5,840,020 A	11/1998	Heinonen et al.
			5,842,983 A	12/1998	Abel et al.
			5,851,197 A	12/1998	Marano et al.
			5,865,804 A	2/1999	Bachynsky
			5,885,211 A	3/1999	Eppstein et al.

(56)

References Cited

U.S. PATENT DOCUMENTS

5,899,855	A	5/1999	Brown	6,484,046	B1	11/2002	Say et al.
5,924,979	A	7/1999	Sedlow et al.	6,514,718	B2	2/2003	Heller et al.
5,925,021	A	7/1999	Castellano et al.	6,520,326	B2	2/2003	McIvor et al.
5,931,814	A	8/1999	Alex et al.	6,522,927	B1	2/2003	Bishay et al.
5,948,006	A	9/1999	Mann	6,551,494	B1	4/2003	Heller et al.
5,951,521	A	9/1999	Mastrototaro et al.	6,554,798	B1	4/2003	Mann et al.
5,954,643	A	9/1999	Van Antwerp	6,558,320	B1	5/2003	Causey, III et al.
5,954,685	A	9/1999	Tierny	6,558,321	B1	5/2003	Burd et al.
5,957,854	A	9/1999	Besson et al.	6,560,471	B1	5/2003	Heller et al.
5,961,451	A	10/1999	Reber et al.	6,561,978	B1	5/2003	Conn et al.
5,964,993	A	10/1999	Blubaugh, Jr. et al.	6,562,001	B2	5/2003	Lebel et al.
5,965,380	A	10/1999	Heller et al.	6,564,105	B2	5/2003	Starkweather et al.
5,971,922	A	10/1999	Arita et al.	6,565,509	B1	5/2003	Say et al.
5,972,199	A	10/1999	Heller et al.	6,571,128	B2	5/2003	Lebel et al.
5,987,353	A	11/1999	Khatchatrian et al.	6,572,566	B2	6/2003	Effenhauser
5,995,860	A	11/1999	Sun et al.	6,576,101	B1	6/2003	Heller et al.
6,001,067	A	12/1999	Shults et al.	6,577,899	B2	6/2003	Lebel et al.
6,017,335	A	1/2000	Bumham	6,579,690	B1	6/2003	Bonnecaze et al.
6,022,368	A	2/2000	Gavronsky et al.	6,585,644	B2	7/2003	Lebel et al.
6,024,699	A	2/2000	Surwit et al.	6,589,229	B1	7/2003	Connelly et al.
6,026,321	A	2/2000	Miyata et al.	6,591,125	B1	7/2003	Buse et al.
6,027,459	A	2/2000	Shain et al.	6,595,919	B2	7/2003	Berner et al.
6,068,399	A	3/2000	Tseng	6,605,200	B1	8/2003	Mao et al.
6,049,727	A	4/2000	Crothall	6,605,201	B1	8/2003	Mao et al.
6,083,710	A	7/2000	Heller et al.	6,607,509	B2	8/2003	Bobroff et al.
6,088,608	A	7/2000	Schulman et al.	6,610,012	B2	8/2003	Mault
6,091,975	A	7/2000	Daddona et al.	6,633,772	B2	10/2003	Ford et al.
6,091,976	A	7/2000	Pfeiffer et al.	6,635,014	B2	10/2003	Starkweather et al.
6,093,172	A	7/2000	Funderburk et al.	6,648,821	B2	11/2003	Lebel et al.
6,102,896	A	8/2000	Roser	6,654,625	B1	11/2003	Say et al.
6,103,033	A	8/2000	Say et al.	6,659,948	B2	12/2003	Lebel et al.
6,117,290	A	9/2000	Say et al.	6,666,849	B1	12/2003	Marshall et al.
6,119,028	A	9/2000	Schulman et al.	6,668,196	B1	12/2003	Villegas et al.
6,120,676	A	9/2000	Heller et al.	6,676,290	B1	1/2004	Lu
6,121,009	A	9/2000	Heller et al.	6,687,546	B2	2/2004	Lebel et al.
6,121,611	A	9/2000	Lindsay et al.	6,689,056	B1	2/2004	Kilcoyne et al.
6,122,351	A	9/2000	Schlueter, Jr. et al.	6,694,191	B2	2/2004	Starkweather et al.
6,134,461	A	10/2000	Say et al.	6,695,860	B1	2/2004	Ward et al.
6,143,164	A	11/2000	Heller et al.	6,699,188	B2	3/2004	Wessel
6,159,147	A	12/2000	Lichter et al.	6,702,857	B2	3/2004	Brauker et al.
6,162,611	A	12/2000	Heller et al.	6,733,446	B2	5/2004	Lebel et al.
6,175,752	B1	1/2001	Say et al.	6,740,075	B2	5/2004	Lebel et al.
6,200,265	B1	3/2001	Walsh et al.	6,741,877	B1	5/2004	Shults et al.
6,212,416	B1	4/2001	Ward et al.	6,746,582	B2	6/2004	Heller et al.
6,219,574	B1	4/2001	Cormier et al.	6,758,810	B2	7/2004	Lebel et al.
6,248,067	B1	6/2001	Causey, III et al.	6,770,030	B1	8/2004	Schaupp et al.
6,254,536	B1	7/2001	DeVito	6,790,178	B1	9/2004	Mault et al.
6,254,586	B1	7/2001	Mann et al.	6,809,653	B1	10/2004	Mann et al.
6,275,717	B1	8/2001	Gross et al.	6,810,290	B2	10/2004	Lebel et al.
6,283,761	B1	9/2001	Joao	6,811,533	B2	11/2004	Lebel et al.
6,283,982	B1	9/2001	Levaughn et al.	6,811,534	B2	11/2004	Bowman, IV et al.
6,284,478	B1	9/2001	Heller et al.	6,813,519	B2	11/2004	Lebel et al.
6,293,925	B1	9/2001	Safabash et al.	6,837,858	B2	1/2005	Cunningham et al.
6,295,506	B1	9/2001	Heinonen et al.	6,837,885	B2	1/2005	Koblish et al.
6,306,104	B1	10/2001	Cunningham et al.	6,849,052	B2	2/2005	Ughigaki et al.
6,309,884	B1	10/2001	Cooper et al.	6,854,882	B2	2/2005	Chen
6,329,161	B1	12/2001	Heller et al.	6,862,465	B2	3/2005	Shults et al.
6,338,790	B1	1/2002	Feldman et al.	6,873,268	B2	3/2005	Lebel et al.
6,348,640	B1	2/2002	Navot et al.	6,881,551	B2	4/2005	Heller et al.
6,359,444	B1	3/2002	Grimes	6,892,085	B2	5/2005	McIvor et al.
6,360,888	B1	3/2002	McIvor et al.	6,895,265	B2	5/2005	Silver
6,366,794	B1	4/2002	Moussy et al.	6,931,327	B2	8/2005	Goode, Jr. et al.
6,368,141	B1	4/2002	Van Antwerp et al.	6,932,894	B2	8/2005	Mao et al.
6,368,274	B1	4/2002	Van Antwerp et al.	6,936,006	B2	8/2005	Sabra
6,377,828	B1	4/2002	Chaiken et al.	6,942,518	B2	9/2005	Liamos et al.
6,379,301	B1	4/2002	Worthington et al.	6,950,708	B2	9/2005	Bowman, IV et al.
6,409,740	B1	6/2002	Kuhr et al.	6,958,705	B2	10/2005	Lebel et al.
6,413,393	B1	7/2002	Van Antwerp et al.	6,959,211	B2	10/2005	Rule et al.
6,418,332	B1	7/2002	Mastrototaro et al.	6,968,294	B2	11/2005	Gutta et al.
6,424,847	B1	7/2002	Mastrototaro et al.	6,971,274	B2	12/2005	Olin
6,427,088	B1	7/2002	Bowman, IV et al.	6,974,437	B2	12/2005	Lebel et al.
6,437,679	B1	8/2002	Roques	6,990,366	B2	1/2006	Say et al.
6,440,068	B1	8/2002	Brown et al.	6,997,907	B2	2/2006	Safabash et al.
6,478,736	B1	11/2002	Mault	6,998,247	B2	2/2006	Monfre et al.
6,484,045	B1	11/2002	Holker et al.	7,003,336	B2	2/2006	Holker et al.
				7,003,340	B2	2/2006	Say et al.
				7,003,341	B2	2/2006	Say et al.
				7,024,245	B2	4/2006	Lebel et al.
				7,025,743	B2	4/2006	Mann et al.

(56)

References Cited

U.S. PATENT DOCUMENTS

7,041,068 B2	5/2006	Freeman et al.	8,262,618 B2	9/2012	Scheurer	
7,041,468 B2	5/2006	Drucker et al.	8,409,145 B2	4/2013	Raymond et al.	
7,052,483 B2	5/2006	Wojcik	8,870,822 B2	10/2014	Thalmann et al.	
7,056,302 B2	6/2006	Douglas	8,880,138 B2	11/2014	Cho	
7,074,307 B2	7/2006	Simpson et al.	9,295,786 B2	3/2016	Gottlieb et al.	
7,081,195 B2	7/2006	Simpson et al.	D854,146 S *	7/2019	Stonecipher	D24/114
7,097,637 B2	8/2006	Triplett et al.	D888,252 S *	6/2020	Terry	D24/186
7,098,803 B2	8/2006	Mann et al.	D891,612 S *	7/2020	Stonecipher	D24/114
7,108,778 B2	9/2006	Simpson et al.	D924,406 S *	7/2021	Yee	D24/169
7,110,803 B2	9/2006	Shults et al.	2002/0013538 A1	1/2002	Teller	
7,113,821 B1	9/2006	Sun et al.	2002/0019022 A1	2/2002	Dunn et al.	
7,134,999 B2	11/2006	Brauker et al.	2002/0022855 A1	2/2002	Bobroff et al.	
7,136,689 B2	11/2006	Shults et al.	2002/0023852 A1	2/2002	McIvor et al.	
7,171,274 B2	1/2007	Starkweather et al.	2002/0042090 A1	4/2002	Heller et al.	
7,190,988 B2	3/2007	Say et al.	2002/0057993 A1	5/2002	Maisey et al.	
7,192,450 B2	3/2007	Brauker et al.	2002/0066764 A1	6/2002	Peny et al.	
7,198,606 B2	4/2007	Boecker et al.	2002/0076966 A1	6/2002	Carron et al.	
7,207,974 B2	4/2007	Safabash et al.	2002/0082487 A1	6/2002	Kollias et al.	
7,226,978 B2	6/2007	Tapsak et al.	2002/0103499 A1	8/2002	Perez et al.	
7,276,029 B2	10/2007	Goode, Jr. et al.	2002/0106709 A1	8/2002	Potts et al.	
7,278,983 B2	10/2007	Ireland et al.	2002/0119711 A1	8/2002	VanAntwerp et al.	
7,297,151 B2	11/2007	Boecker et al.	2002/0128594 A1	9/2002	Das et al.	
7,299,082 B2	11/2007	Feldman et al.	2002/0130042 A1	9/2002	Moerman et al.	
7,310,544 B2	12/2007	Brister et al.	2002/0154050 A1	10/2002	Krupp et al.	
7,318,816 B2	1/2008	Bobroff et al.	2002/0161288 A1	10/2002	Shin et al.	
7,324,012 B2	1/2008	Mann et al.	2002/0165462 A1	11/2002	Westbrook et al.	
7,329,239 B2	2/2008	Safabash et al.	2002/0198444 A1	12/2002	Ughigaki et al.	
7,335,294 B2	2/2008	Heller et al.	2003/0002682 A1	1/2003	Smith et al.	
7,340,287 B2	3/2008	Mason et al.	2003/0023317 A1	1/2003	Brauker et al.	
7,340,309 B2	3/2008	Miazga et al.	2003/0023461 A1	1/2003	Quintanilla et al.	
7,354,420 B2	4/2008	Steil et al.	2003/0032867 A1	2/2003	Crothall et al.	
7,364,592 B2	4/2008	Carr-Brendel et al.	2003/0032874 A1	2/2003	Rhodes et al.	
7,366,556 B2	4/2008	Brister et al.	2003/0042137 A1	3/2003	Mao et al.	
7,379,765 B2	5/2008	Petisce et al.	2003/0060753 A1	3/2003	Starkweather et al.	
7,381,184 B2	6/2008	Funderburk et al.	2003/0065308 A1	4/2003	Lebel et al.	
7,402,153 B2	7/2008	Steil et al.	2003/0069510 A1	4/2003	Semler	
7,407,493 B2	8/2008	Cane	2003/0078481 A1	4/2003	McIvor et al.	
7,416,541 B2	8/2008	Yuzhakov et al.	2003/0078560 A1	4/2003	Miller et al.	
7,424,318 B2	9/2008	Brister et al.	2003/0083686 A1	5/2003	Freeman et al.	
D579,541 S *	10/2008	Mogensen	2003/0097092 A1	5/2003	Flaherty	
7,455,663 B2	11/2008	Bikovsky	2003/0100040 A1	5/2003	Bonnecaze et al.	
7,460,898 B2	12/2008	Brister et al.	2003/0109775 A1	6/2003	O'Neil et al.	
7,467,003 B2	12/2008	Brister et al.	2003/0134347 A1	7/2003	Heller et al.	
7,471,972 B2	12/2008	Rhodes et al.	2003/0135333 A1	7/2003	Aceti et al.	
7,494,465 B2	2/2009	Brister et al.	2003/0144581 A1	7/2003	Conn et al.	
7,497,827 B2	3/2009	Brister et al.	2003/0144608 A1	7/2003	Kojima et al.	
7,519,408 B2	4/2009	Rasdal et al.	2003/0155656 A1	8/2003	Chiu et al.	
7,583,990 B2	9/2009	Goode, Jr. et al.	2003/0168338 A1	9/2003	Gao et al.	
7,591,801 B2	9/2009	Brauker et al.	2003/0176933 A1	9/2003	Lebel et al.	
7,599,726 B2	10/2009	Goode, Jr. et al.	2003/0187338 A1	10/2003	Say et al.	
7,613,491 B2	11/2009	Boock et al.	2003/0199790 A1	10/2003	Boecker et al.	
7,615,007 B2	11/2009	Shults et al.	2003/0199910 A1	10/2003	Boecker et al.	
7,632,228 B2	12/2009	Brauker et al.	2003/0212379 A1	11/2003	Bylund et al.	
7,637,868 B2	12/2009	Saint et al.	2003/0217966 A1	11/2003	Tapsak et al.	
7,640,048 B2	12/2009	Dobbles et al.	2003/0225361 A1	12/2003	Sabra	
7,651,596 B2	1/2010	Petisce et al.	2004/0010207 A1	1/2004	Flaherty et al.	
7,654,956 B2	2/2010	Brister et al.	2004/0011671 A1	1/2004	Shults et al.	
7,657,297 B2	2/2010	Simpson et al.	2004/0040840 A1	3/2004	Mao et al.	
7,666,149 B2	2/2010	Simons et al.	2004/0045879 A1	3/2004	Shults et al.	
7,682,338 B2	3/2010	Griffin	2004/0054263 A1	3/2004	Moerman et al.	
7,697,967 B2	4/2010	Stafford	2004/0064068 A1	4/2004	DeNuzzio et al.	
7,699,807 B2	4/2010	Faust et al.	2004/0064133 A1	4/2004	Miller et al.	
7,711,402 B2	5/2010	Shults et al.	2004/0096959 A1	5/2004	Steine et al.	
7,713,574 B2	5/2010	Brister et al.	2004/0106858 A1	6/2004	Say et al.	
7,715,893 B2	5/2010	Kamath et al.	2004/0106859 A1	6/2004	Say et al.	
7,727,147 B1	6/2010	Osorio et al.	2004/0116865 A1	6/2004	Bengtsson	
7,731,657 B2	6/2010	Stafford	2004/0122353 A1	6/2004	Shahmirian et al.	
7,736,344 B2	6/2010	Moberg et al.	2004/0122489 A1	6/2004	Mazar et al.	
7,763,042 B2	7/2010	Iio et al.	2004/0116866 A1	7/2004	Gorman et al.	
7,822,454 B1	10/2010	Alden et al.	2004/0133164 A1	7/2004	Funderburk et al.	
7,850,652 B2	12/2010	Liniger et al.	2004/0135684 A1	7/2004	Steinthel et al.	
7,896,844 B2	3/2011	Thalmann et al.	2004/0138588 A1	7/2004	Saikley et al.	
7,955,297 B2	6/2011	Radmer et al.	2004/0147996 A1	7/2004	Miazga et al.	
7,985,203 B2	7/2011	Haueter et al.	2004/0152622 A1	8/2004	Keith et al.	
8,172,805 B2	5/2012	Mogensen et al.	2004/0158207 A1	8/2004	Hunn et al.	
			2004/0167801 A1	8/2004	Say et al.	
			2004/0171921 A1	9/2004	Say et al.	
			2004/0176672 A1	9/2004	Silver et al.	
			2004/0186362 A1	9/2004	Brauker et al.	

(56)

References Cited

U.S. PATENT DOCUMENTS

2004/0186365	A1	9/2004	Jin et al.		2006/0155210	A1	7/2006	Beckman et al.
2004/0193090	A1	9/2004	Lebel et al.		2006/0155317	A1	7/2006	List
2004/0199059	A1	10/2004	Brauker et al.		2006/0166629	A1	7/2006	Reggiardo
2004/0204687	A1*	10/2004	Mogensen A61M 5/158 604/181	2006/0173444	A1	8/2006	Choy et al.
					2006/0189863	A1	8/2006	Peysner et al.
2004/0210122	A1	10/2004	Sieburg		2006/0189939	A1	8/2006	Gonnelli et al.
2004/0225338	A1	11/2004	Lebel et al.		2006/0195029	A1	8/2006	Shults et al.
2004/0236200	A1	11/2004	Say et al.		2006/0200181	A1	9/2006	Fukuzawa et al.
2004/0236251	A1	11/2004	Roe et al.		2006/0200970	A1	9/2006	Brister et al.
2004/0254433	A1	12/2004	Bandis et al.		2006/0222566	A1	10/2006	Brauker et al.
2004/0254434	A1	12/2004	Goodnow et al.		2006/0226985	A1	10/2006	Goodnow et al.
2004/0267300	A1	12/2004	Mace		2006/0247508	A1	11/2006	Fennell
2005/0003470	A1	1/2005	Nelson et al.		2006/0253086	A1	11/2006	Moberg et al.
2005/0004494	A1	1/2005	Perez et al.		2006/0258929	A1	11/2006	Goode, Jr. et al.
2005/0010269	A1	1/2005	Lebel et al.		2006/0264888	A1	11/2006	Moberg et al.
2005/0027177	A1	2/2005	Shin et al.		2006/0276724	A1	12/2006	Freeman et al.
2005/0027180	A1	2/2005	Goode, Jr. et al.		2006/0287591	A1	12/2006	Ocvirk et al.
2005/0031689	A1	2/2005	Shults et al.		2007/0016381	A1	1/2007	Kamath et al.
2005/0043598	A1	2/2005	Goode, Jr. et al.		2007/0027381	A1	2/2007	Stafford
2005/0070819	A1	3/2005	Poux et al.		2007/0038044	A1	2/2007	Dobbies et al.
2005/0085872	A1	4/2005	Yanagihara et al.		2007/0060814	A1	3/2007	Stafford
2005/0090607	A1	4/2005	Tapsak et al.		2007/0073129	A1	3/2007	Shah et al.
2005/0090850	A1	4/2005	Thoes et al.		2007/0078320	A1	4/2007	Stafford
2005/0101912	A1	5/2005	Faust et al.		2007/0078321	A1	4/2007	Mazza et al.
2005/0106713	A1	5/2005	Phan et al.		2007/0078322	A1	4/2007	Stafford
2005/0112169	A1	5/2005	Brauker et al.		2007/0088377	A1	4/2007	Levaughn et al.
2005/0114068	A1	5/2005	Chey et al.		2007/0106135	A1	5/2007	Sloan et al.
2005/0121322	A1	6/2005	Say et al.		2007/0110124	A1	5/2007	Zaragoza et al.
2005/0131346	A1	6/2005	Douglas		2007/0123819	A1	5/2007	Mernoe et al.
2005/0131347	A1	6/2005	Marano-Ford et al.		2007/0149875	A1	6/2007	Ouyang et al.
2005/0143635	A1	6/2005	Kamath et al.		2007/0163880	A1	7/2007	Woo et al.
2005/0154410	A1	7/2005	Conway et al.		2007/0173706	A1	7/2007	Neinast et al.
2005/0165404	A1	7/2005	Miller		2007/0173741	A1	7/2007	Deshmukh et al.
2005/0173245	A1	8/2005	Feldman et al.		2007/0191701	A1	8/2007	Feldman et al.
2005/0176136	A1	8/2005	Burd et al.		2007/0203407	A1	8/2007	Hoss et al.
2005/0182306	A1	8/2005	Sloan		2007/0203966	A1	8/2007	Brauker et al.
2005/0187720	A1	8/2005	Goode, Jr. et al.		2007/0235331	A1	10/2007	Simpson et al.
2005/0192557	A1	9/2005	Brauker et al.		2007/0244368	A1	10/2007	Bayloff et al.
2005/0195930	A1	9/2005	Spital et al.		2007/0244398	A1	10/2007	Lo et al.
2005/0197554	A1	9/2005	Polcha		2007/0249922	A1	10/2007	Peysner et al.
2005/0199494	A1	9/2005	Say et al.		2008/0004512	A1	1/2008	Funderbunk et al.
2005/0203360	A1	9/2005	Brauker et al.		2008/0004573	A1	1/2008	Kaufmann et al.
2005/0222518	A1	10/2005	Dib		2008/0009692	A1	1/2008	Stafford
2005/0239154	A1	10/2005	Feldman et al.		2008/0009805	A1	1/2008	Ethelfeld
2005/0239156	A1	10/2005	Drucker et al.		2008/0017522	A1	1/2008	Heller et al.
2005/0241957	A1	11/2005	Mao et al.		2008/0021666	A1	1/2008	Goode, Jr. et al.
2005/0245795	A1	11/2005	Goode, Jr. et al.		2008/0027474	A1	1/2008	Curry et al.
2005/0245799	A1	11/2005	Brauker et al.		2008/0029391	A1	2/2008	Mao et al.
2005/0245844	A1	11/2005	Mace et al.		2008/0031941	A1	2/2008	Pettersson
2005/0277164	A1	12/2005	Drucker et al.		2008/0033254	A1	2/2008	Kamath et al.
2005/0287620	A1	12/2005	Heller et al.		2008/0033268	A1	2/2008	Stafford
2006/0001538	A1	1/2006	Kraft et al.		2008/0033318	A1	2/2008	Mace et al.
2006/0004303	A1	1/2006	Weidenhaupt et al.		2008/0039702	A1	2/2008	Hayter et al.
2006/0009727	A1	1/2006	O'Mahony et al.		2008/0045824	A1	2/2008	Tapsak et al.
2006/0010098	A1	1/2006	Goodnow et al.		2008/0064937	A1	3/2008	McGarraugh et al.
2006/0015020	A1	1/2006	Neale et al.		2008/0064941	A1	3/2008	Funderbunk et al.
2006/0015024	A1	1/2006	Brister et al.		2008/0064944	A1	3/2008	Van Antwerp et al.
2006/0016700	A1	1/2006	Brister et al.		2008/0065646	A1	3/2008	Zhang et al.
2006/0019327	A1	1/2006	Brister et al.		2008/0071156	A1	3/2008	Brister et al.
2006/0020186	A1	1/2006	Brister et al.		2008/0083617	A1	4/2008	Simpson et al.
2006/0020187	A1	1/2006	Brister et al.		2008/0086042	A1	4/2008	Brister et al.
2006/0020188	A1	1/2006	Kamath et al.		2008/0086044	A1	4/2008	Brister et al.
2006/0020189	A1	1/2006	Brister et al.		2008/0086273	A1	4/2008	Shults et al.
2006/0020190	A1	1/2006	Kamath et al.		2008/0097246	A1	4/2008	Stafford
2006/0020191	A1	1/2006	Brister et al.		2008/0108942	A1	5/2008	Brister et al.
2006/0020192	A1	1/2006	Brister et al.		2008/0112848	A1	5/2008	Huffstodt et al.
2006/0036139	A1	2/2006	Brister et al.		2008/0114280	A1	5/2008	Stafford
2006/0036140	A1	2/2006	Brister et al.		2008/0119707	A1	5/2008	Stafford
2006/0036141	A1	2/2006	Kamath et al.		2008/0133702	A1	6/2008	Sharma et al.
2006/0036142	A1	2/2006	Brister et al.		2008/0161664	A1	7/2008	Mastrototaro et al.
2006/0036143	A1	2/2006	Brister et al.		2008/0167578	A1	7/2008	Bryer et al.
2006/0036144	A1	2/2006	Brister et al.		2008/0183061	A1	7/2008	Goode, Jr. et al.
2006/0036145	A1	2/2006	Brister et al.		2008/0183399	A1	7/2008	Goode, Jr. et al.
2006/0047220	A1	3/2006	Sakata et al.		2008/0188731	A1	8/2008	Brister et al.
2006/0129173	A1	6/2006	Wilkinson		2008/0189051	A1	8/2008	Goode, Jr. et al.
					2008/0194935	A1	8/2008	Brister et al.
					2008/0194936	A1	8/2008	Goode, Jr. et al.
					2008/0194937	A1	8/2008	Goode, Jr. et al.
					2008/0194938	A1	8/2008	Brister et al.

(56)

References Cited

U.S. PATENT DOCUMENTS

2008/0195232	A1	8/2008	Carr-Brendel et al.	2009/0192722	A1	7/2009	Shariati et al.
2008/0195967	A1	8/2008	Goode, Jr. et al.	2009/0192724	A1	7/2009	Brauker et al.
2008/0197024	A1	8/2008	Simpson et al.	2009/0192745	A1	7/2009	Kamath et al.
2008/0200788	A1	8/2008	Brister et al.	2009/0192751	A1	7/2009	Kamath et al.
2008/0200789	A1	8/2008	Brister et al.	2009/0198215	A1	8/2009	Chong et al.
2008/0200791	A1	8/2008	Simpson et al.	2009/0203981	A1	8/2009	Brauker et al.
2008/0200897	A1	8/2008	Hoss et al.	2009/0204341	A1	8/2009	Brauker et al.
2008/0208025	A1	8/2008	Shults et al.	2009/0212766	A1	8/2009	Olson et al.
2008/0214481	A1	9/2008	Challoner et al.	2009/0216103	A1	8/2009	Brister et al.
2008/0214915	A1	9/2008	Brister et al.	2009/0240120	A1	9/2009	Mensingher et al.
2008/0214918	A1	9/2008	Brister et al.	2009/0240128	A1	9/2009	Mensingher et al.
2008/0228051	A1	9/2008	Shults et al.	2009/0240193	A1	9/2009	Mensingher et al.
2008/0228054	A1	9/2008	Shults et al.	2009/0242399	A1	10/2009	Kamath et al.
2008/0242961	A1	10/2008	Brister et al.	2009/0242425	A1	10/2009	Kamath et al.
2008/0255440	A1	10/2008	Eilerson et al.	2009/0247855	A1	10/2009	Boock et al.
2008/0262469	A1	10/2008	Brister et al.	2009/0247856	A1	10/2009	Boock et al.
2008/0269673	A1	10/2008	Butoi et al.	2009/0259201	A1	10/2009	Hwang et al.
2008/0275313	A1	11/2008	Brister et al.	2009/0259202	A1	10/2009	Leeflang et al.
2008/0283396	A1	11/2008	Wang et al.	2009/0270765	A1	10/2009	Ghesquire et al.
2008/0287764	A1	11/2008	Rasdal et al.	2009/0287073	A1	11/2009	Boock et al.
2008/0287765	A1	11/2008	Rasdal et al.	2009/0287074	A1	11/2009	Shults et al.
2008/0287766	A1	11/2008	Rasdal et al.	2009/0292184	A1	11/2009	Funderburk et al.
2008/0294096	A1	11/2008	Uber et al.	2009/0292185	A1	11/2009	Funderburk et al.
2008/0296155	A1	12/2008	Shults et al.	2009/0299155	A1	12/2009	Yang et al.
2008/0300476	A1	12/2008	Stafford	2009/0299156	A1	12/2009	Simpson et al.
2008/0306368	A1	12/2008	Goode, Jr. et al.	2009/0299162	A1	12/2009	Brauker et al.
2008/0306434	A1	12/2008	Dobbles et al.	2009/0299276	A1	12/2009	Brauker et al.
2008/0306435	A1	12/2008	Kamath et al.	2010/0010324	A1	1/2010	Brauker et al.
2008/0306444	A1	12/2008	Brister et al.	2010/0010331	A1	1/2010	Brauker et al.
2009/0012379	A1	1/2009	Goode, Jr. et al.	2010/0010332	A1	1/2010	Brauker et al.
2009/0018424	A1	1/2009	Kamath et al.	2010/0016687	A1	1/2010	Brauker et al.
2009/0030294	A1	1/2009	Petisce et al.	2010/0016698	A1	1/2010	Rasdal et al.
2009/0036758	A1	2/2009	Brauker et al.	2010/0022855	A1	1/2010	Brauker et al.
2009/0036763	A1	2/2009	Brauker et al.	2010/0022863	A1	1/2010	Mogensen et al.
2009/0036915	A1	2/2009	Karbowniczek et al.	2010/0030038	A1	2/2010	Brauker et al.
2009/0043181	A1	2/2009	Brauker et al.	2010/0030053	A1	2/2010	Goode, Jr. et al.
2009/0043182	A1	2/2009	Brauker et al.	2010/0030111	A1	2/2010	Perriere
2009/0043525	A1	2/2009	Brauker et al.	2010/0030484	A1	2/2010	Brauker et al.
2009/0043541	A1	2/2009	Brauker et al.	2010/0030485	A1	2/2010	Brauker et al.
2009/0043542	A1	2/2009	Brauker et al.	2010/0036215	A1	2/2010	Goode, Jr. et al.
2009/0045055	A1	2/2009	Rhodes et al.	2010/0036216	A1	2/2010	Goode, Jr. et al.
2009/0054866	A1	2/2009	Teisen-Simony et al.	2010/0036222	A1	2/2010	Goode, Jr. et al.
2009/0062633	A1	3/2009	Brauker et al.	2010/0036223	A1	2/2010	Goode, Jr. et al.
2009/0062635	A1	3/2009	Brauker et al.	2010/0036225	A1	2/2010	Goode, Jr. et al.
2009/0069658	A1	3/2009	Say et al.	2010/0036281	A1	2/2010	Doi
2009/0076356	A1	3/2009	Simpson et al.	2010/0041971	A1	2/2010	Goode, Jr. et al.
2009/0076359	A1	3/2009	Peyser	2010/0045465	A1	2/2010	Brauker et al.
2009/0076360	A1	3/2009	Brister et al.	2010/0049014	A1	2/2010	Funderburk et al.
2009/0076361	A1	3/2009	Kamath et al.	2010/0049024	A1	2/2010	Saint et al.
2009/0082693	A1	3/2009	Stafford	2010/0063373	A1	3/2010	Kamath et al.
2009/0099436	A1	4/2009	Brister et al.	2010/0069728	A1	3/2010	Funderburk et al.
2009/0102678	A1	4/2009	Mazza et al.	2010/0076283	A1	3/2010	Simpson et al.
2009/0105569	A1	4/2009	Stafford	2010/0081908	A1	4/2010	Dobbles et al.
2009/0124877	A1	5/2009	Shariati et al.	2010/0081910	A1	4/2010	Brister et al.
2009/0124878	A1	5/2009	Goode et al.	2010/0087724	A1	4/2010	Brauker et al.
2009/0124879	A1	5/2009	Brister et al.	2010/0096259	A1	4/2010	Zhang et al.
2009/0124964	A1	5/2009	Leach et al.	2010/0099970	A1	4/2010	Shults et al.
2009/0124979	A1	5/2009	Raymond et al.	2010/0099971	A1	4/2010	Shults et al.
2009/0131768	A1	5/2009	Simpson et al.	2010/0100113	A1	4/2010	Iio et al.
2009/0131769	A1	5/2009	Leach et al.	2010/0106088	A1	4/2010	Yodfat et al.
2009/0131776	A1	5/2009	Simpson et al.	2010/0119693	A1	5/2010	Tapsak et al.
2009/0131777	A1	5/2009	Simpson et al.	2010/0121169	A1	5/2010	Petisce et al.
2009/0137886	A1	5/2009	Shariati et al.	2010/0168677	A1	7/2010	Gabriel et al.
2009/0137887	A1	5/2009	Shariati et al.	2010/0324392	A1	12/2010	Yee et al.
2009/0143659	A1	6/2009	Li et al.	2010/0331647	A1	12/2010	Shah et al.
2009/0143660	A1	6/2009	Brister et al.	2011/0021889	A1	1/2011	Hoss et al.
2009/0156919	A1	6/2009	Brister et al.	2011/0046456	A1	2/2011	Hordum et al.
2009/0156924	A1	6/2009	Shariati et al.	2011/0082484	A1	4/2011	Saravia et al.
2009/0163790	A1	6/2009	Brister et al.	2011/0106126	A1	5/2011	Love et al.
2009/0163791	A1	6/2009	Brister et al.	2011/0257521	A1	10/2011	Fraden
2009/0171182	A1	7/2009	Stafford	2011/0288574	A1	11/2011	Cuny et al.
2009/0178459	A1	7/2009	Li et al.	2011/0319729	A1	12/2011	Donnay et al.
2009/0182217	A1	7/2009	Li et al.	2012/0123385	A1	5/2012	Edwards et al.
2009/0192366	A1	7/2009	Mensingher et al.	2012/0184909	A1	7/2012	Gym et al.
2009/0192380	A1	7/2009	Shariati et al.	2012/0296327	A1	11/2012	Hutchins et al.
				2013/0047981	A1	2/2013	Bacon
				2018/0368774	A1*	12/2018	Gray A61B 5/0004

(56)

References Cited

U.S. PATENT DOCUMENTS

2019/0307381 A1* 10/2019 Boock A61B 5/6823
 2020/0196919 A1* 6/2020 Rao A61B 5/14503

FOREIGN PATENT DOCUMENTS

EP 0320109 6/1989
 EP 0353328 2/1990
 EP 0390390 10/1990
 EP 0396788 11/1990
 EP 0286118 1/1995
 EP 1048264 11/2000
 EP 1177802 2/2002
 EP 1704889 A1 9/2006
 EP 2060284 5/2009
 EP 2201969 6/2010
 JP 11-506629 6/1999
 JP 2004-033438 2/2004
 JP 2004-520103 7/2004
 JP 2004-520898 7/2004
 WO WO-1991/015993 10/1991
 WO WO-1992/013271 8/1992
 WO WO-1994/020602 9/1994
 WO WO-1996/039977 5/1996
 WO WO-1996/025089 8/1996
 WO WO-1998/035053 8/1998
 WO WO-1998/056293 12/1998
 WO WO-1999/033504 7/1999

WO WO-1999/056613 11/1999
 WO WO-2000/049940 8/2000
 WO WO-2000/059370 10/2000
 WO WO-2000/078992 12/2000
 WO WO-2001/052935 7/2001
 WO WO-2001/054753 8/2001
 WO WO-2002/016905 2/2002
 WO WO-2002/050534 6/2002
 WO WO-2002/058537 8/2002
 WO WO-2003/028784 4/2003
 WO WO-2003/076893 9/2003
 WO WO-2003/082091 10/2003
 WO WO-2004/028337 4/2004
 WO WO-2004/060436 7/2004
 WO WO-2004/061420 7/2004
 WO WO-2004/098684 11/2004
 WO WO-2004/112602 12/2004
 WO WO-2005/084534 9/2005
 WO WO-2005/089103 9/2005
 WO WO-2006/024671 3/2006
 WO WO-2006/042811 4/2006
 WO WO-2006/108809 10/2006
 WO WO 2008/065646 6/2008
 WO WO 2008/133702 11/2008
 WO WO 2009/016638 A1 2/2009
 WO WO-2009/062675 5/2009
 WO WO-2010/112521 10/2010
 WO WO 2010/112521 10/2010
 WO WO-2011/002815 1/2011

* cited by examiner

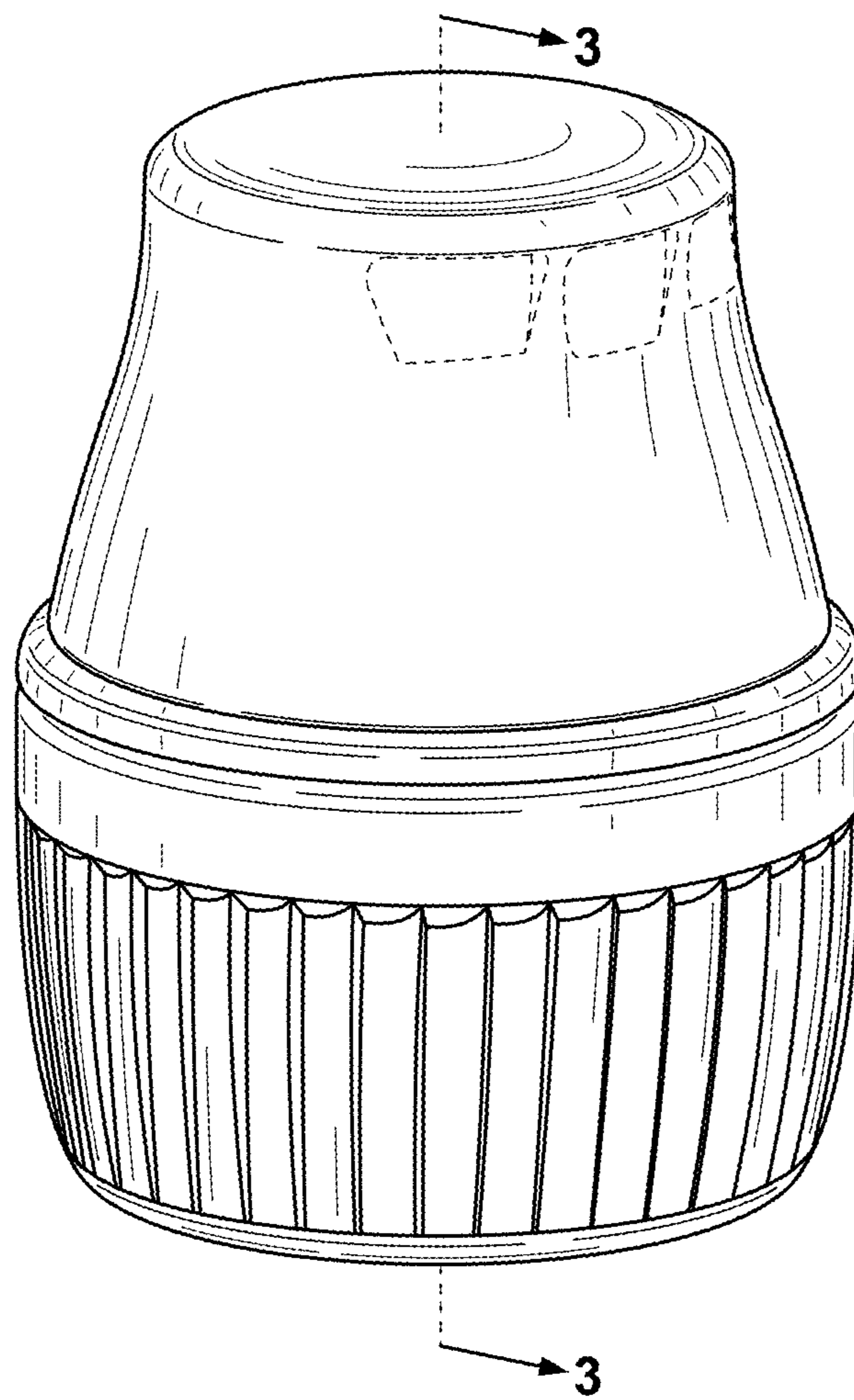


FIG. 1

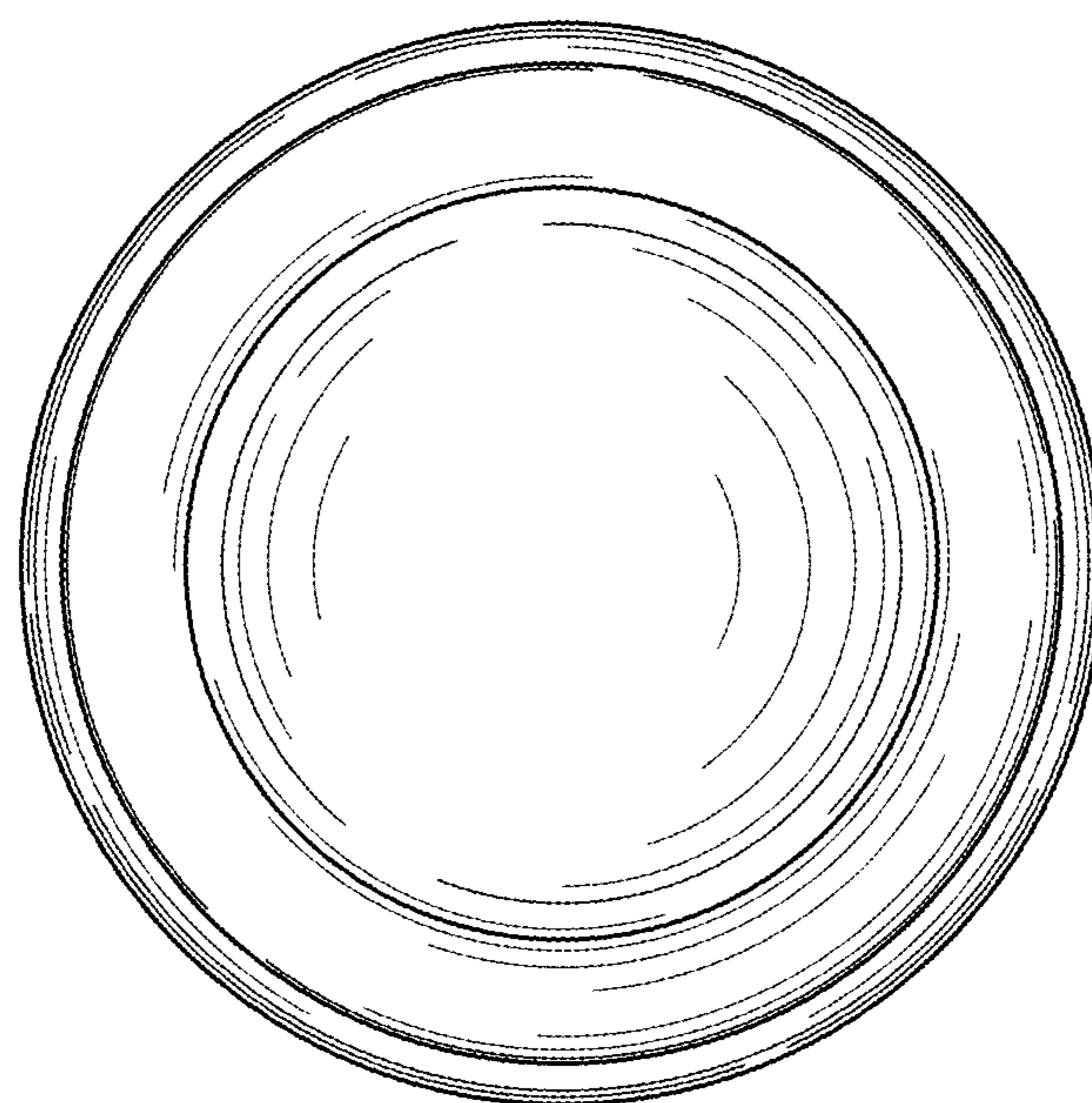


FIG. 2

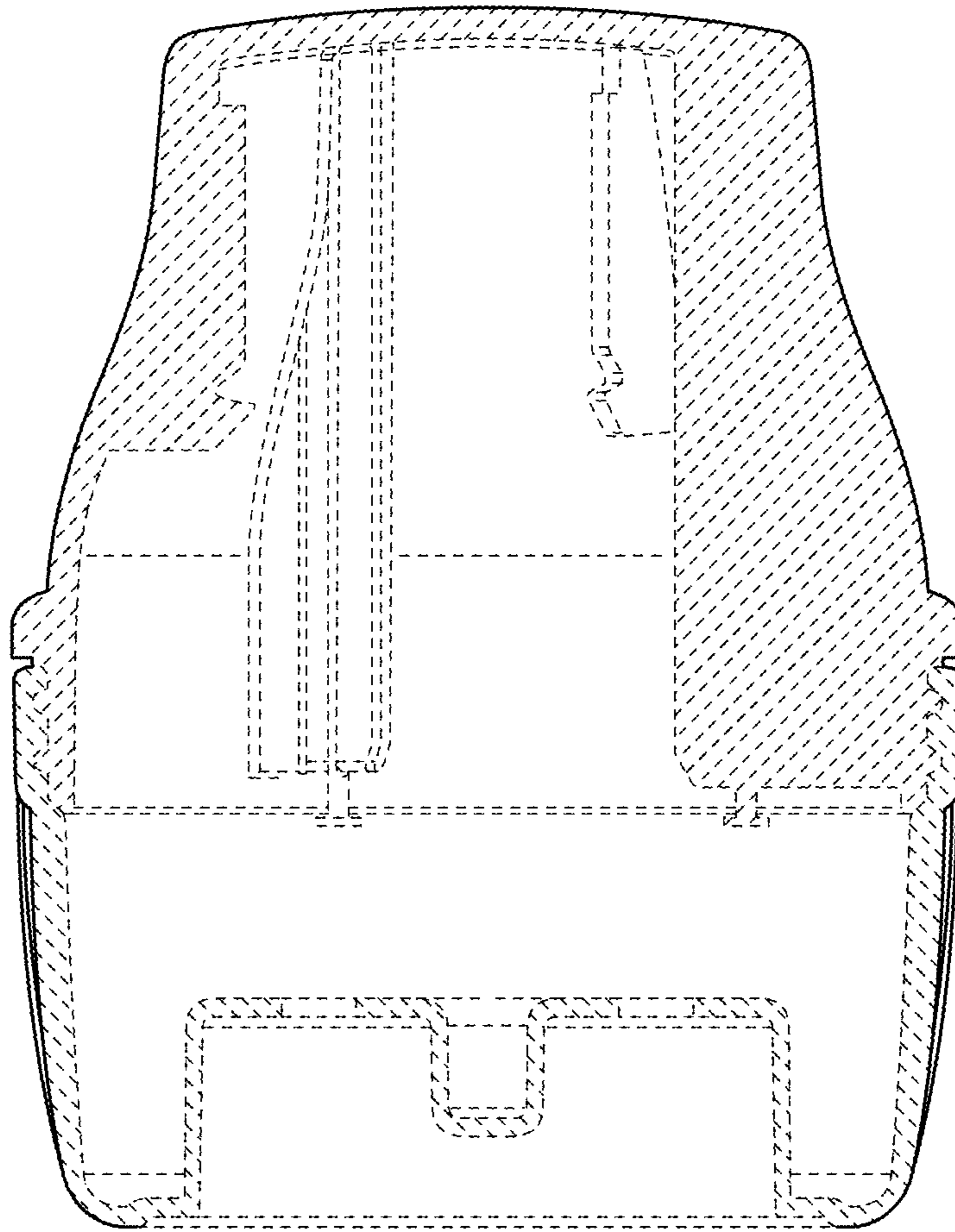


FIG. 3