



US00D948720S

(12) **United States Design Patent** (10) **Patent No.:** **US D948,720 S**
Ono (45) **Date of Patent:** **** *Apr. 12, 2022**

(54) **X-RAY DIGITAL IMAGING DEVICE**

(71) Applicant: **FUJIFILM Corporation**, Tokyo (JP)

(72) Inventor: **Hirotohi Ono**, Ashigarakami-gun (JP)

(73) Assignee: **FUJIFILM Corporation**, Tokyo (JP)

(*) Notice: This patent is subject to a terminal disclaimer.

(**) Term: **15 Years**

(21) Appl. No.: **29/726,298**

(22) Filed: **Mar. 2, 2020**

(30) **Foreign Application Priority Data**

Sep. 3, 2019 (JP) 2019-019641

(51) **LOC (13) Cl.** **24-01**

(52) **U.S. Cl.**
USPC **D24/158**

(58) **Field of Classification Search**
USPC D24/107, 158–161, 185, 186, 187;
D14/475, 481, 485
CPC A61B 6/4283; A61B 6/4291; H04N 5/367;
G03B 42/04
See application file for complete search history.

(56) **References Cited**

U.S. PATENT DOCUMENTS

D716,947 S	*	11/2014	Ogura	D24/158
D751,712 S	*	3/2016	Ogura	D24/158
D751,713 S	*	3/2016	Ogura	D24/158
D753,827 S	*	4/2016	Sul	D24/158
D759,676 S	*	6/2016	Kim	D14/485
D818,591 S	*	5/2018	Asai	D24/158
D835,633 S	*	12/2018	Yang	D14/485
D888,246 S	*	6/2020	Kim	D24/158

2015/0276944	A1*	10/2015	Enomoto	A61B 6/4283 378/101
2016/0081639	A1*	3/2016	Bettouyashiki	A61B 6/4291 378/154
2019/0046139	A1*	2/2019	Hattori	A61B 6/461
2020/0170608	A1*	6/2020	Makino	A61B 6/4283
2021/0063585	A1*	3/2021	Noguchi	A61B 6/4283

* cited by examiner

Primary Examiner — Anhdao Doan

(74) *Attorney, Agent, or Firm* — Sughrue Mion, PLLC

(57) **CLAIM**

The ornamental design for an X-ray digital imaging device, as shown and described.

DESCRIPTION

FIG. 1 is a bottom, front and right side perspective view of an X-ray digital imaging device showing my new design; FIG. 2 is a bottom, rear and left side perspective view thereof; FIG. 3 is a front elevational view thereof; FIG. 4 is a rear elevational view thereof; FIG. 5 is a top plan view thereof; FIG. 6 is a right side elevational view thereof; FIG. 7 is a left side elevational view thereof; FIG. 8 is an enlarged front elevational view of a portion defined by an arrow A and an arrow B of FIG. 3; FIG. 9 is an enlarged right side elevational view of a portion defined by an arrow A and an arrow C of FIG. 6; and, FIG. 10 is an enlarged perspective view of a portion defined by an arrow A and an arrow B of FIG. 3, and an arrow A and an arrow C of FIG. 6.

The broken lines depict portions of the X-ray digital imaging device in which the design is embodied that form no part of the claimed design. Additionally, the dash-dot lines denote the boundary of the claim and form no part of the claimed design.

1 Claim, 10 Drawing Sheets

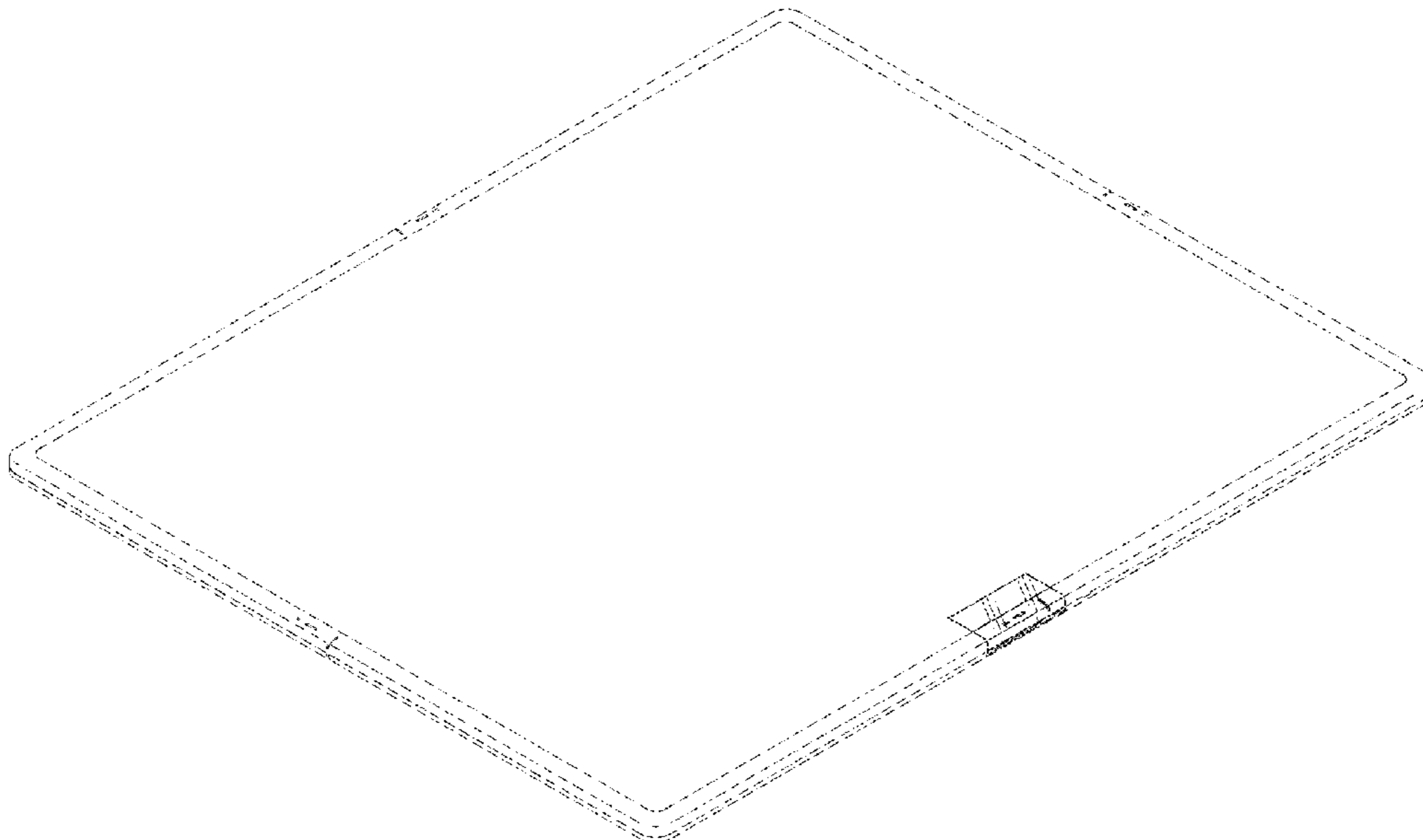


FIG. 1

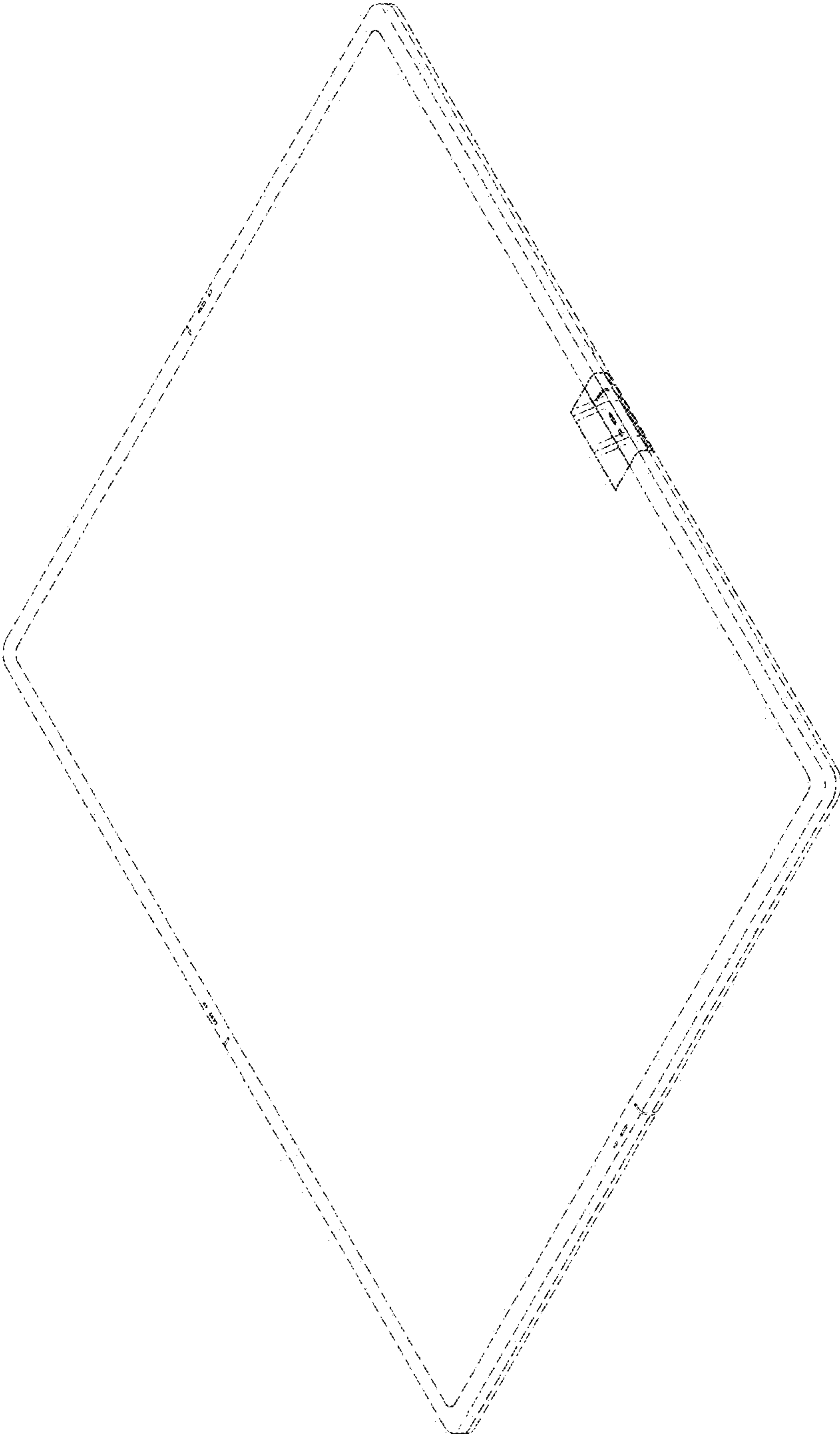


FIG. 2

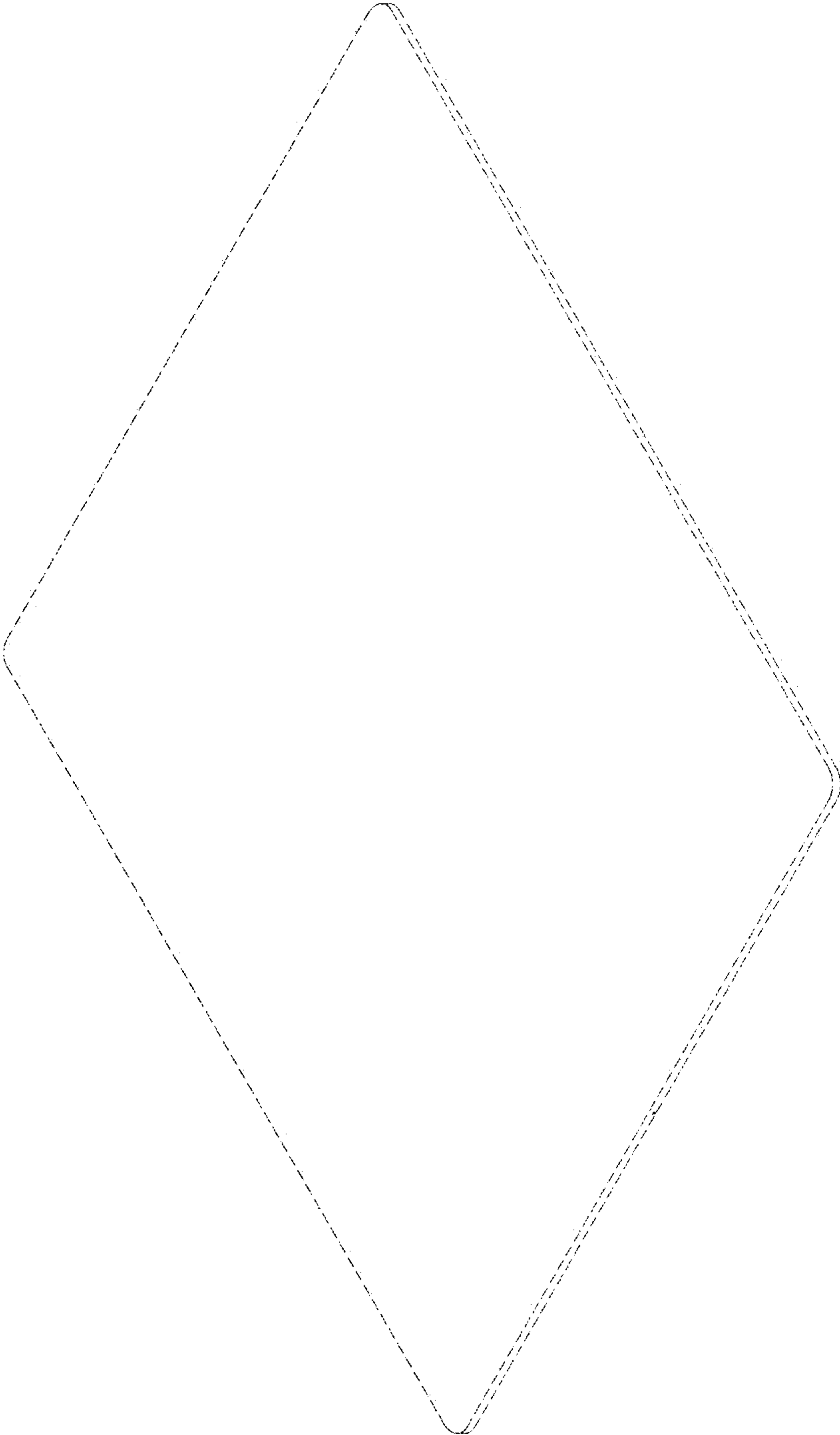


FIG. 3

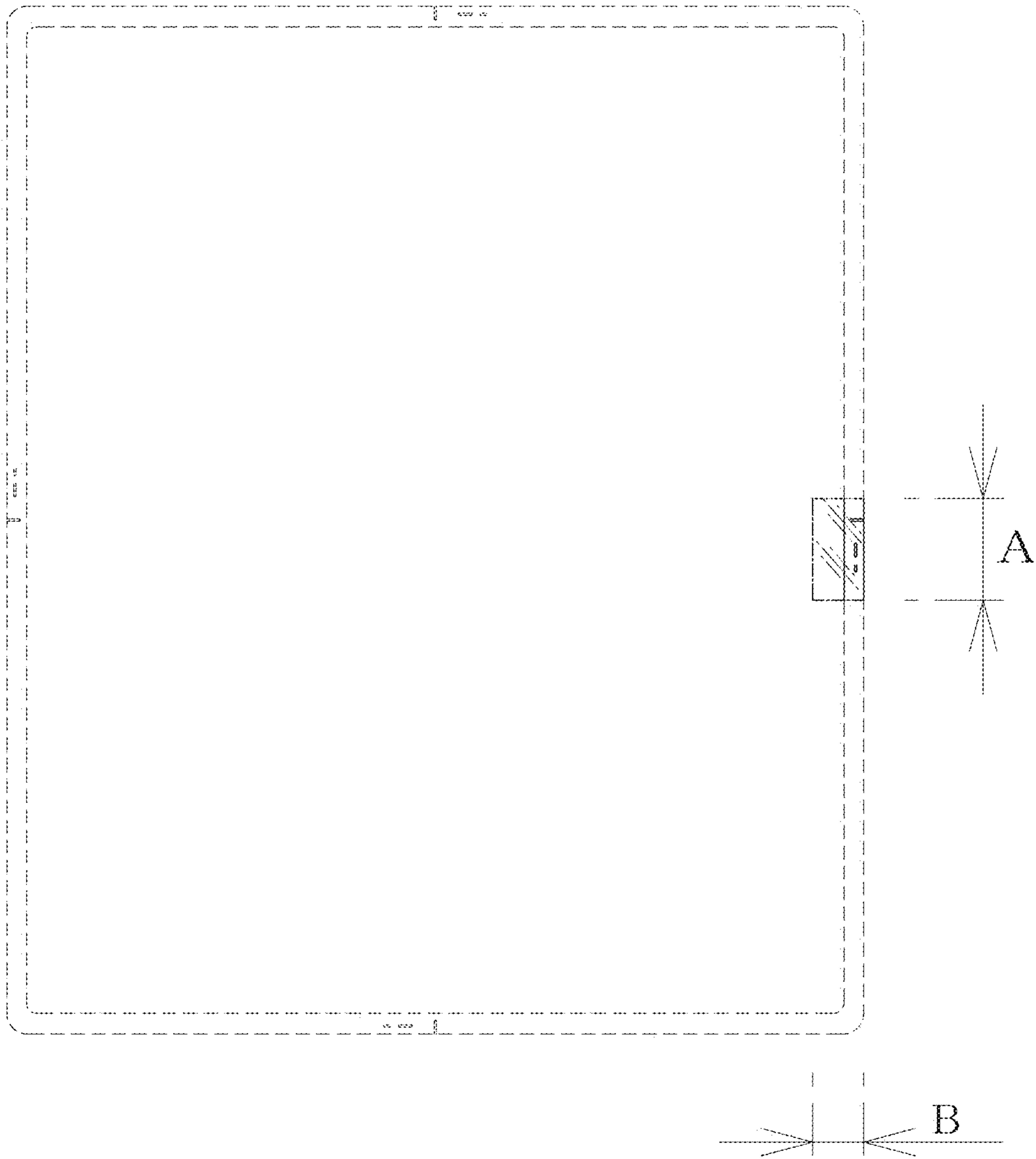


FIG. 4



FIG. 5

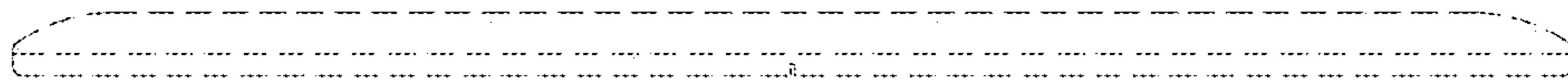


FIG. 6

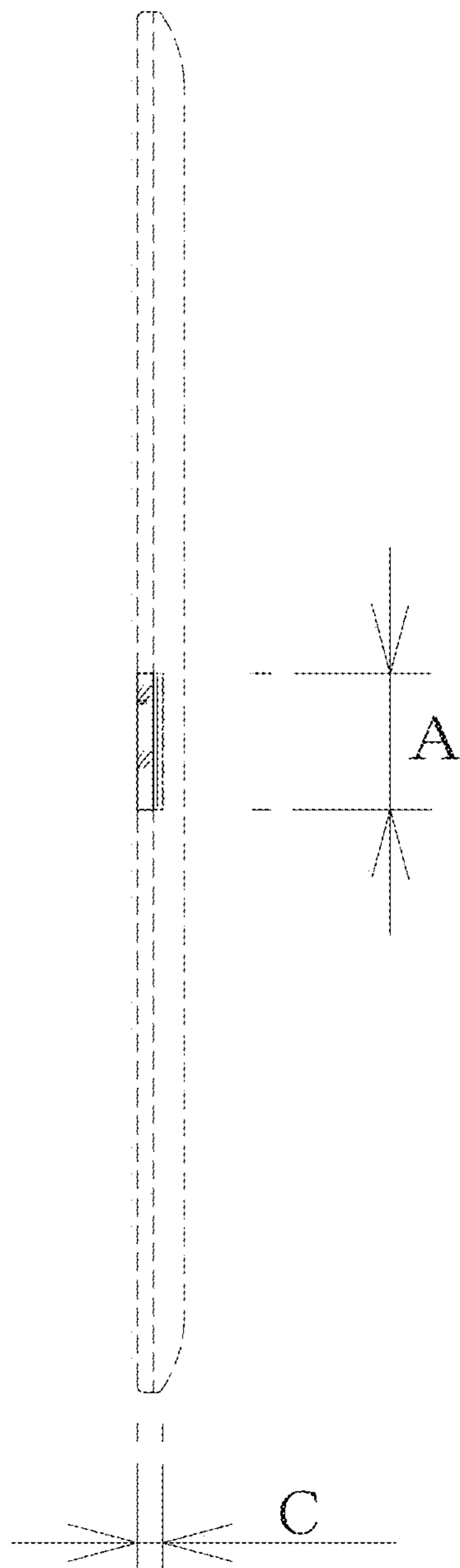


FIG. 7

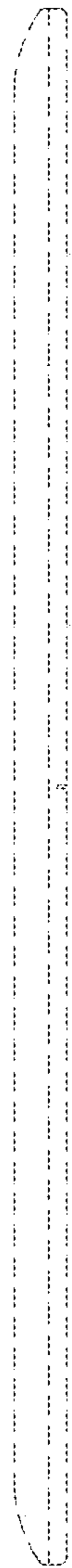


FIG. 8

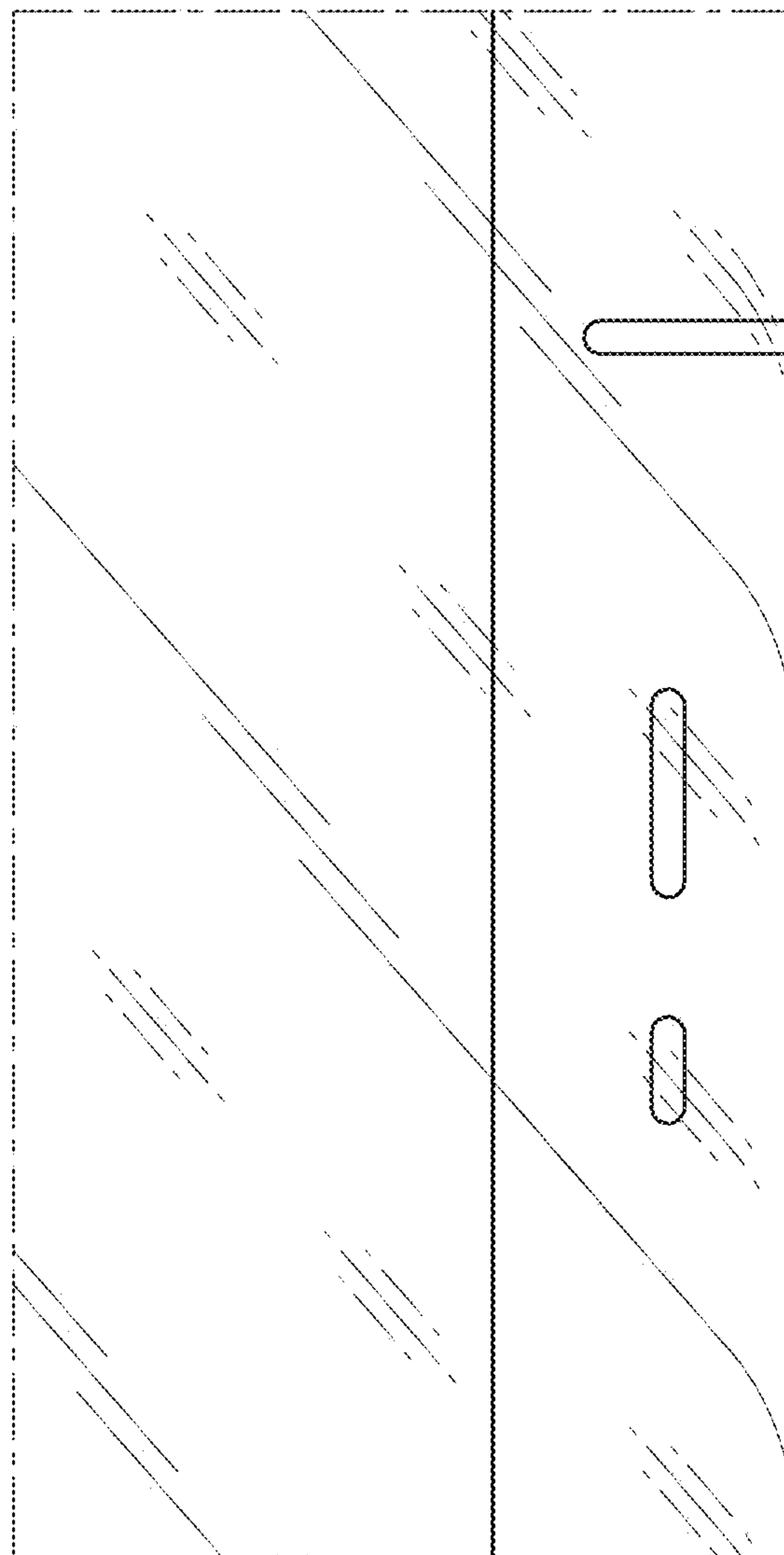


FIG. 9

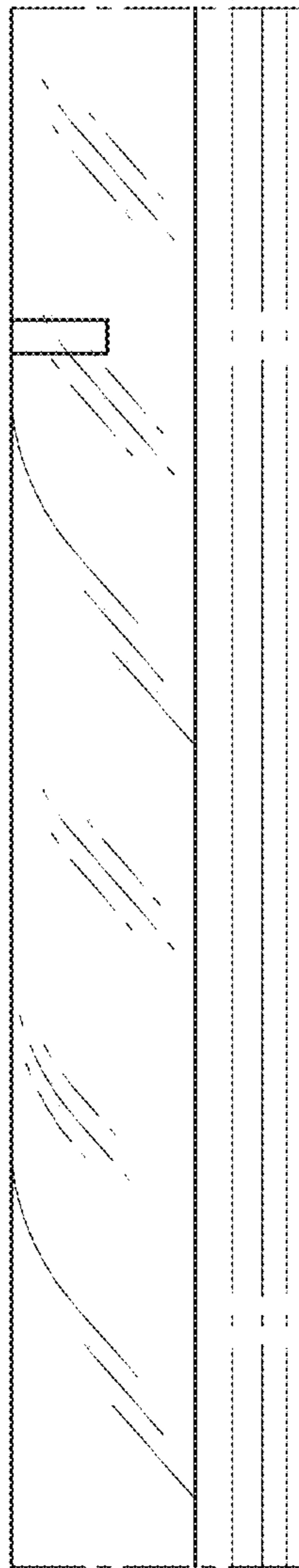


FIG. 10

