



US00D948719S

(12) **United States Design Patent**  
**Robichaud**

(10) **Patent No.:** **US D948,719 S**  
(45) **Date of Patent:** **\*\* Apr. 12, 2022**

(54) **POSTERIOR STABILIZER FOR AN OSTEOTOMY PLATE**

(71) Applicant: **LABORATOIRES BODYCAD INC.,**  
Québec (CA)

(72) Inventor: **Jean Robichaud,** St-Aubert (CA)

(73) Assignee: **LABORATOIRES BODYCAD INC.,**  
Québec (CA)

(\*\*) Term: **15 Years**

(21) Appl. No.: **35/509,741**

(22) Filed: **Oct. 21, 2019**

(80) **Hague Agreement Data**

Int. Filing Date: **Oct. 21, 2019**

Int. Reg. No.: **DM/208878**

Int. Reg. Date: **Oct. 21, 2019**

Int. Reg. Pub. Date: **Jul. 3, 2020**

(51) **LOC (13) Cl.** ..... **24-03**

(52) **U.S. Cl.**

USPC ..... **D24/155**

(58) **Field of Classification Search**

USPC ..... D24/128, 155

(Continued)

(56) **References Cited**

**U.S. PATENT DOCUMENTS**

2,002,021 A 5/1935 Rouse  
D262,237 S \* 12/1981 Stauber ..... D24/128

(Continued)

**FOREIGN PATENT DOCUMENTS**

CN 103393459 11/2013  
CN 207721848 8/2018

(Continued)

**OTHER PUBLICATIONS**

Azernikov S. (2013) Inhomogeneous Axial Deformation for Orthopedic Surgery Planning. In: Csurka G., Kraus M., Mestetskiy L.,

Richard P., Braz J. (eds) Computer Vision, Imaging and Computer Graphics. Theory and Applications. VISIGRAPP 2011. Communications in Computer and Information Science, vol. 274, p. 69-85. Springer, Berlin, Heidelberg.

*Primary Examiner* — Calvin E Vansant

(74) *Attorney, Agent, or Firm* — Marshall, Gerstein & Borun LLP

(57) **CLAIM**

The ornamental design for posterior stabilizer for an osteotomy plate, as shown and described.

**DESCRIPTION**

3.-4. Posterior stabilizer for an osteotomy

The design comprises the features of shape and configuration of a posterior stabilizer for an osteotomy plate as shown in solid lines in the drawings; the drawings show two variants; Figures 3.1 to 3.8 show a first variant, Figures 4.1 to 4.8 show a second variant.

Figure 3.1 is a rear perspective view of a posterior stabilizer for an osteotomy plate in accordance with a second variant, extending posteriorly and laterally from the first embodiment of the osteotomy plate;

Figure 3.2 is a front perspective view of the posterior stabilizer shown in Figure 3.1;

Figure 3.3 is a rear elevation view of the posterior stabilizer shown in Figure 3.1;

Figure 3.4 is a front elevation view of the posterior stabilizer shown in Figure 3.1;

Figure 3.5 is a right-side elevation view of the posterior stabilizer shown in Figure 3.1;

Figure 3.6 is a left-side elevation view of the posterior stabilizer shown in Figure 3.1;

Figure 3.7 is a top plan view of the posterior stabilizer shown in Figure 3.1;

Figure 3.8 is a bottom plan view of the posterior stabilizer shown in Figure 3.1;

Figure 4.1 is a rear perspective view of the posterior stabilizer for an osteotomy plate in accordance with the second variant, mounted rearwardly to the first embodiment of the osteotomy plate;

(Continued)

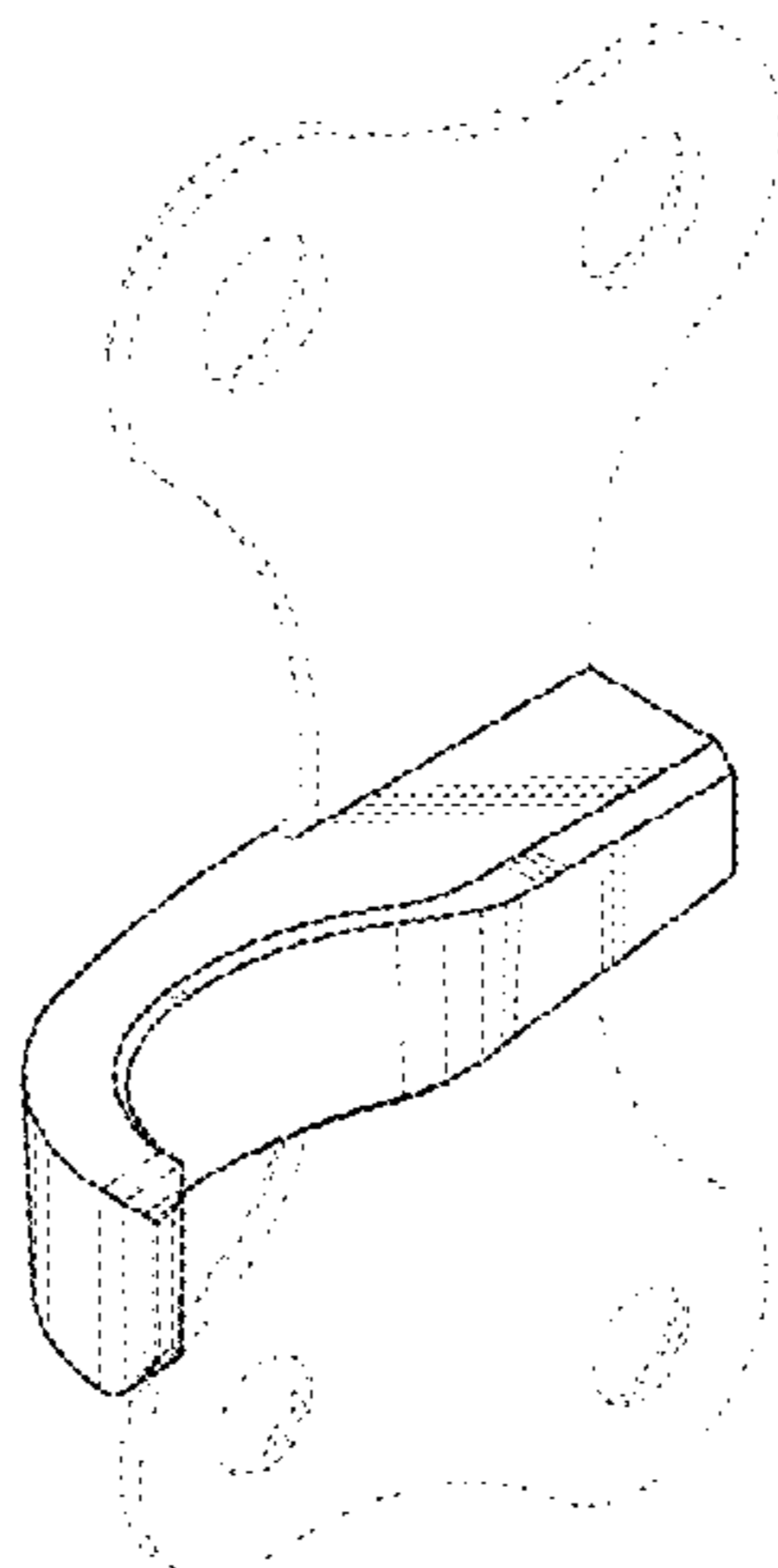


Figure 4.2 is a front perspective view of the posterior stabilizer shown in Figure 4.1; Figure 4.3 is a rear elevation view of the posterior stabilizer shown in Figure 4.1; Figure 4.4 is a front elevation view of the posterior stabilizer shown in Figure 4.1; Figure 4.5 is a right-side elevation view of the posterior stabilizer shown in Figure 4.1; Figure 4.6 is a left-side elevation view of the posterior stabilizer shown in Figure 4.1; Figure 4.7 is a top plan view of the posterior stabilizer shown in Figure 4.1; and Figure 4.8 is a bottom plan view of the posterior stabilizer shown in Figure 4.1  
In the reproductions, the broken lines depict portions of the posterior stabilizer for an osteotomy plate that form no part of the claimed design.

**1 Claim, 16 Drawing Sheets**

(58) **Field of Classification Search**

CPC . A61B 17/7059; A61B 17/804; A61B 17/809; A61B 17/842; A61B 17/888; A61B 17/8004; A61B 17/8023; A61B 17/8033; A61B 17/8052; A61B 17/8061; A61B 17/8605; A61B 17/8685; A61B 17/86; A61B 17/1739; A61B 17/8066; A61B 17/1671; A61B 16/1757; A61B 17/8071; A61B 17/176

See application file for complete search history.

(56) **References Cited**

U.S. PATENT DOCUMENTS

D266,124	S *	9/1982	Stankewich	.....	D8/367
D291,731	S *	9/1987	Aikins	.....	D24/155
5,620,448	A	4/1997	Puddu		
5,749,875	A	5/1998	Puddu		
6,017,342	A	1/2000	Rinner		
6,066,142	A	5/2000	Serbousek et al.		
6,461,359	B1	10/2002	Tribus et al.		
D597,626	S *	8/2009	Krieger	.....	D22/108
D617,452	S *	6/2010	Hampton	.....	D24/128
7,794,467	B2	9/2010	McGinley et al.		
D625,821	S *	10/2010	Goncalves	.....	D24/155
7,935,119	B2	5/2011	Ammann et al.		
8,083,746	B2	12/2011	Novak		
8,092,465	B2	1/2012	Metzger et al.		
8,137,406	B2	3/2012	Novak et al.		
8,211,112	B2	7/2012	Novak et al.		
8,241,292	B2	8/2012	Collazo		
8,241,293	B2	8/2012	Stone et al.		
D671,219	S *	11/2012	Donaldson	.....	D24/176
D671,650	S *	11/2012	Donaldson	.....	D24/176
8,337,507	B2	12/2012	Lang et al.		

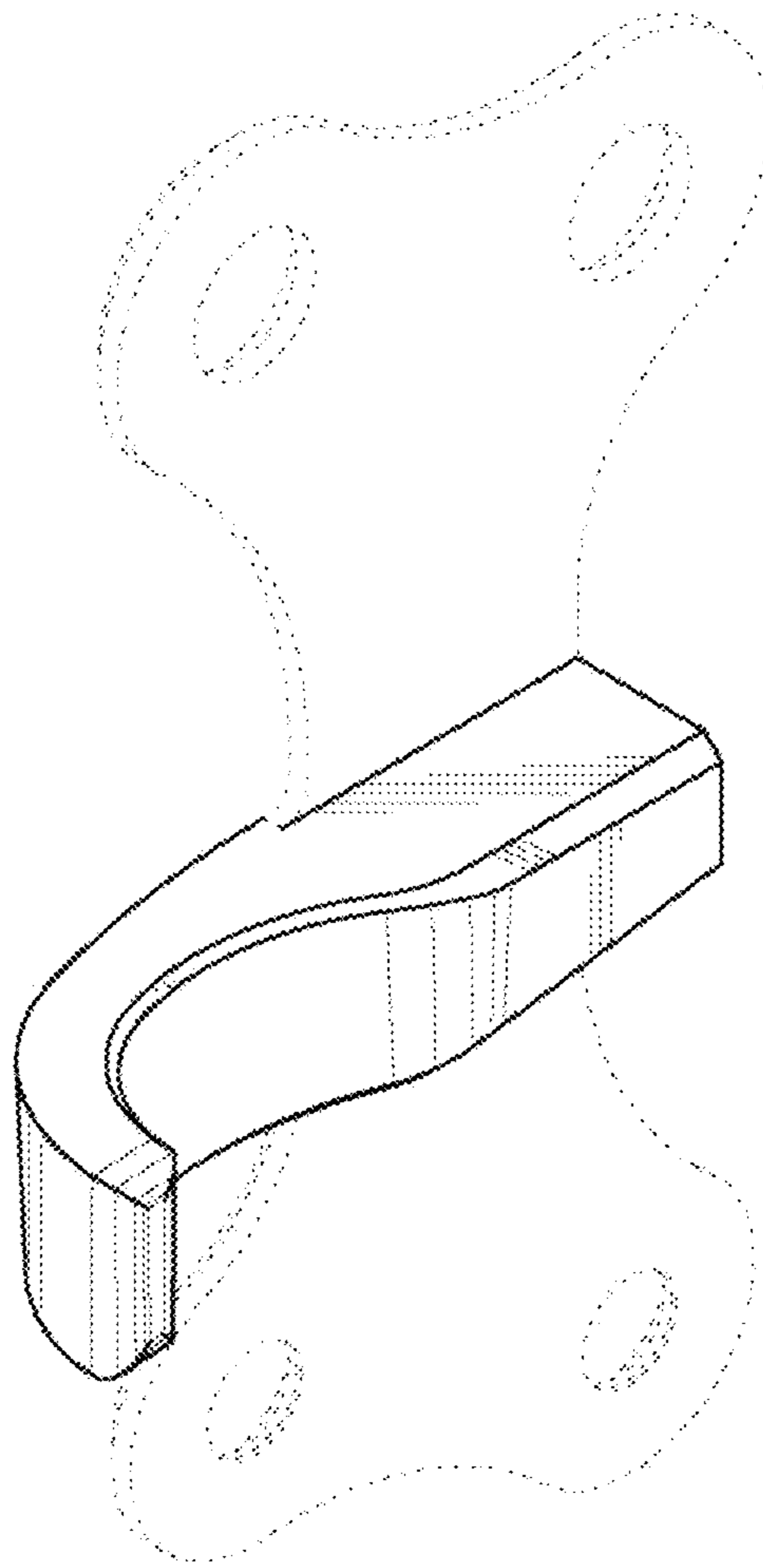
8,388,690	B2	3/2013	Singhatat et al.		
8,409,209	B2	4/2013	Ammann et al.		
8,484,001	B2	7/2013	Glozman et al.		
8,594,395	B2	11/2013	Roose et al.		
8,632,547	B2	1/2014	Maxson et al.		
8,709,052	B2	4/2014	Ammann et al.		
8,753,348	B2	6/2014	DiDomenico et al.		
8,828,087	B2	9/2014	Stone et al.		
8,979,866	B2	3/2015	Patel et al.		
8,998,903	B2	4/2015	Price et al.		
9,014,835	B2	4/2015	Azernikov et al.		
9,072,555	B2	7/2015	Michel		
D740,943	S	10/2015	Neufeld et al.		
9,456,833	B2	10/2016	Maxson et al.		
9,480,490	B2	11/2016	Metzger et al.		
9,486,228	B2	11/2016	Saw et al.		
9,603,605	B2	3/2017	Collazo		
9,687,261	B2	6/2017	Serbousek et al.		
9,707,023	B2	7/2017	Ammann et al.		
9,770,302	B2	9/2017	Kang et al.		
9,814,533	B2	11/2017	Park et al.		
9,833,245	B2	12/2017	Maxson		
9,877,758	B2	1/2018	Michel		
9,877,790	B2	1/2018	Bojarski et al.		
D810,288	S *	2/2018	Eaton	.....	D24/128
D813,394	S *	3/2018	DaCosta	.....	D24/155
9,943,348	B2	4/2018	Schelling		
D819,819	S *	6/2018	Nutter	.....	D24/155
10,245,089	B2	4/2019	Paik		
D852,957	S	7/2019	Horan et al.		
D901,014	S *	11/2020	Davies	.....	D24/155
D909,582	S *	2/2021	Endo	.....	D24/155
D925,039	S *	7/2021	Byun	.....	D24/155
2005/0209599	A1	9/2005	Brunsvold		
2006/0052795	A1	3/2006	White		
2007/0191848	A1	8/2007	Wack et al.		
2009/0082816	A1	3/2009	Graham et al.		
2011/0098747	A1 *	4/2011	Donner	.....	A61F 2/4611 606/264
2011/0213376	A1	9/2011	Maxson et al.		
2013/0338673	A1	12/2013	Keppler		
2015/0051650	A1	2/2015	Verstreken et al.		
2015/0305752	A1	10/2015	Eash		
2016/0095634	A1	4/2016	Meyer		
2016/0113784	A1	4/2016	Robichaud		
2016/0192949	A1	7/2016	Robichaud et al.		
2016/0235454	A1	8/2016	Treace et al.		
2017/0325823	A1	11/2017	Phillips-Hungerford et al.		
2017/0325826	A1	11/2017	Bake et al.		

FOREIGN PATENT DOCUMENTS

WO	2015003284	1/2015
WO	2020037418	2/2020
WO	2020037419	2/2020
WO	2020037420	2/2020
WO	2020037421	2/2020
WO	2020037423	2/2020
WO	2020037424	2/2020
WO	2020037425	2/2020

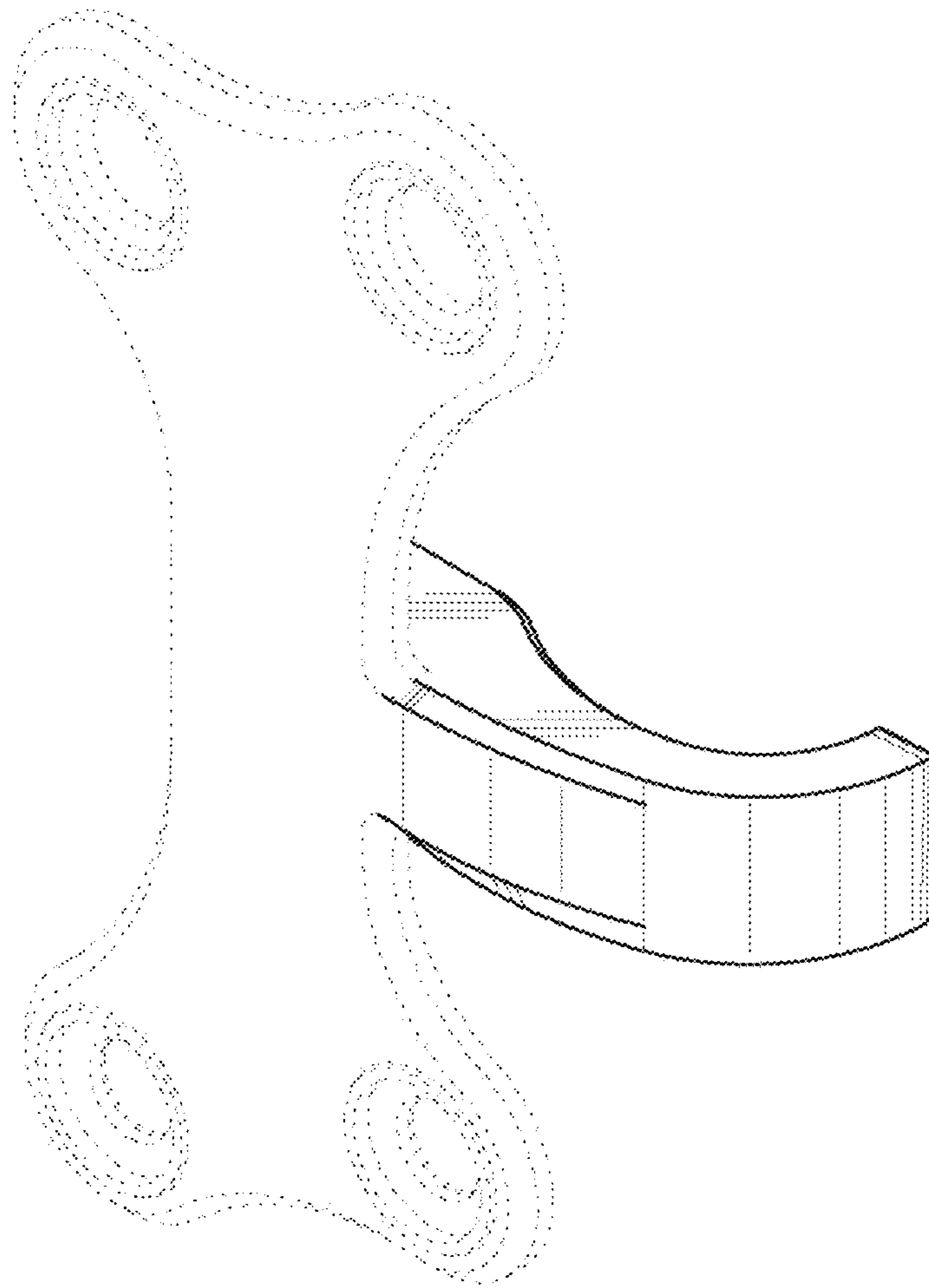
\* cited by examiner

3.1

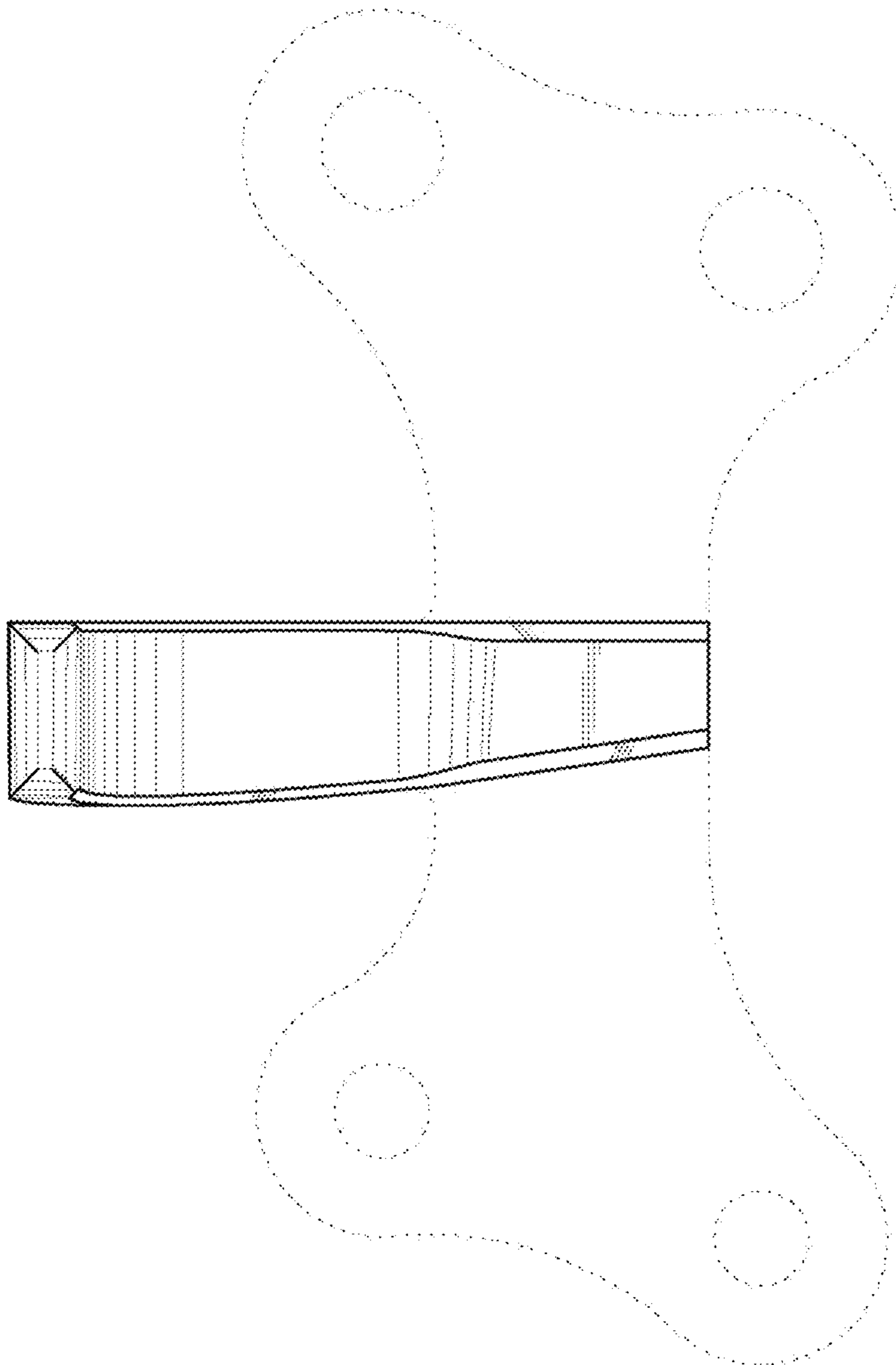




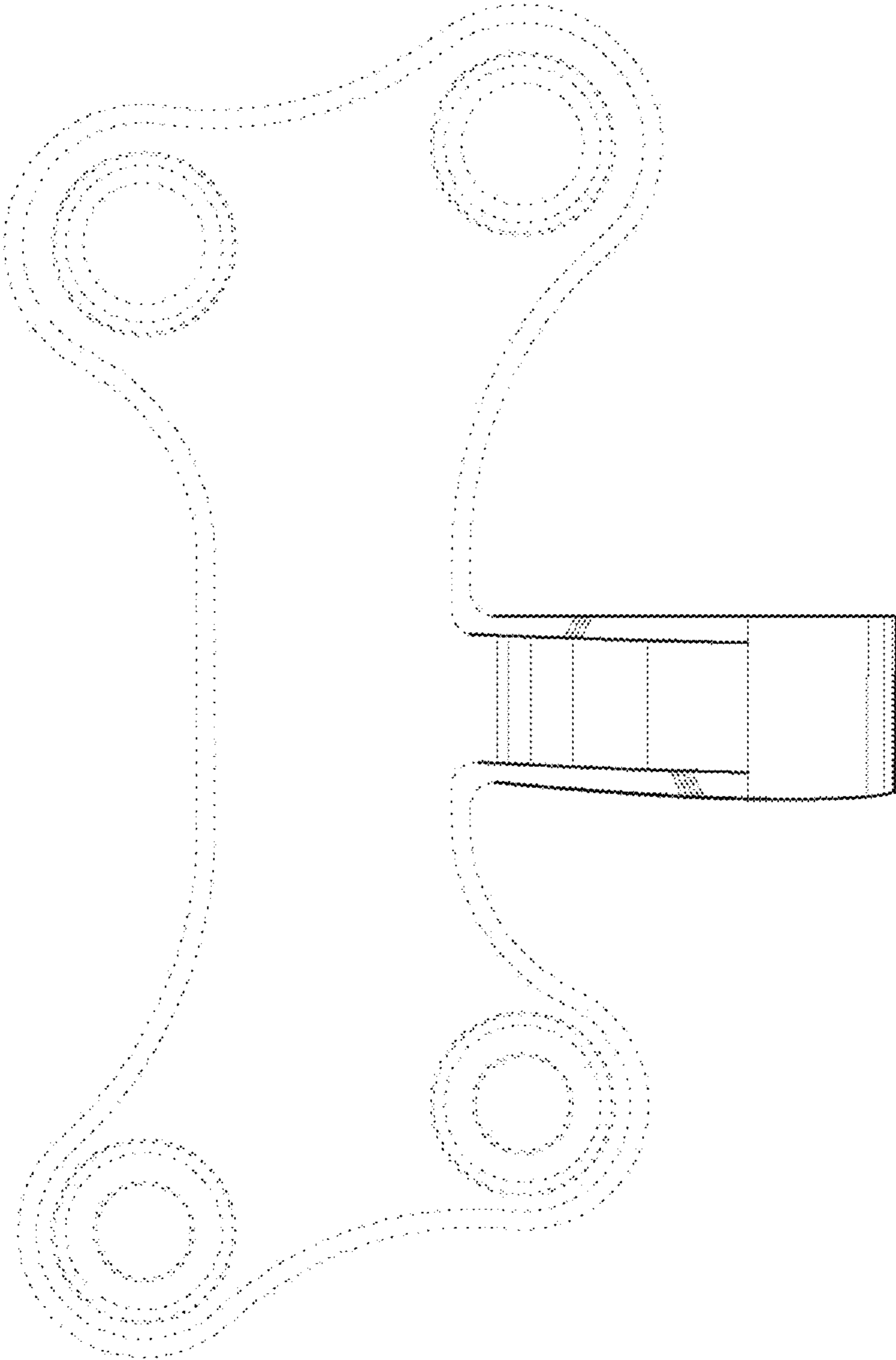
3.2



3.3



3.4



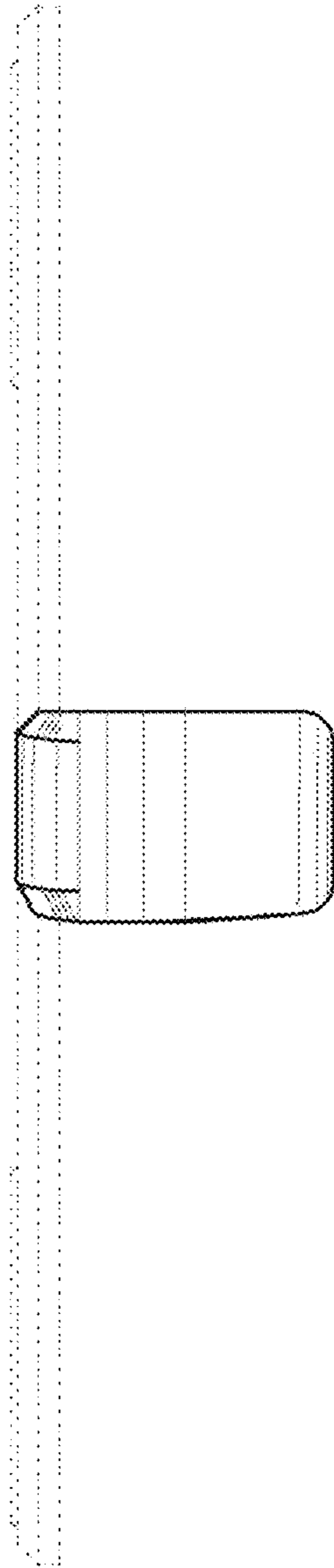
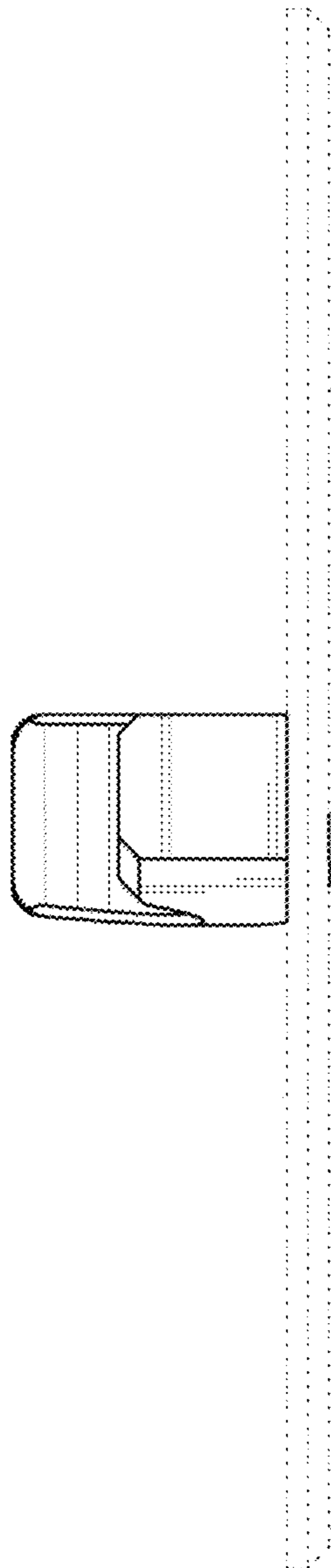


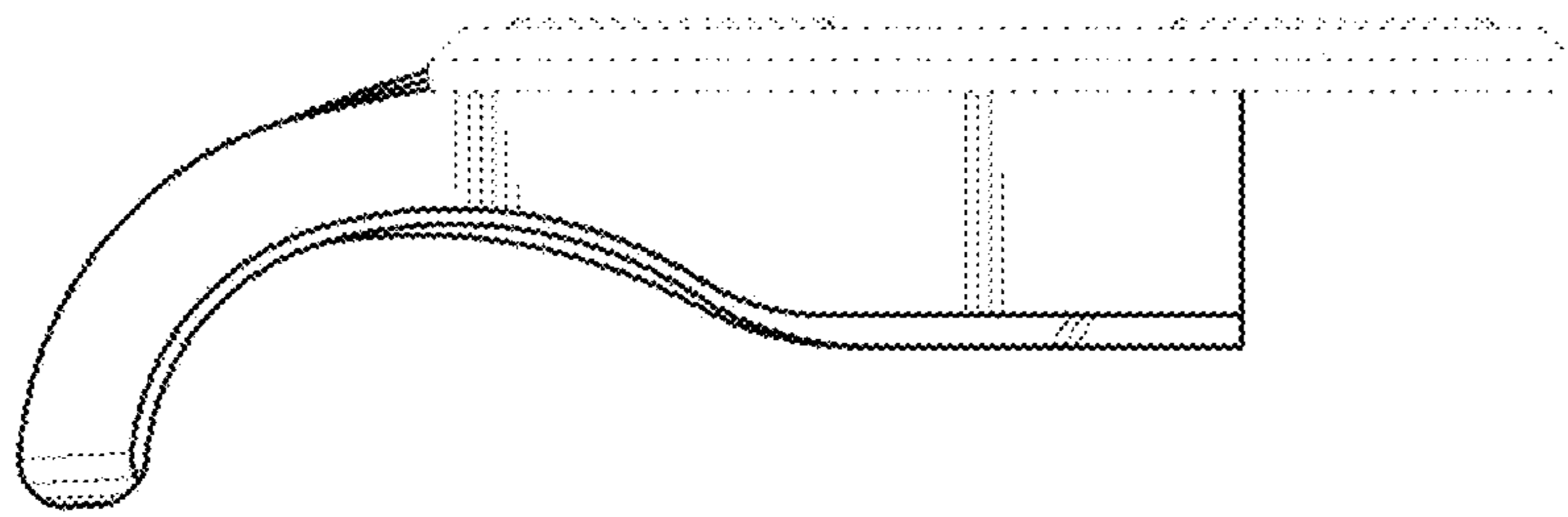
FIG. 3.5

3.6

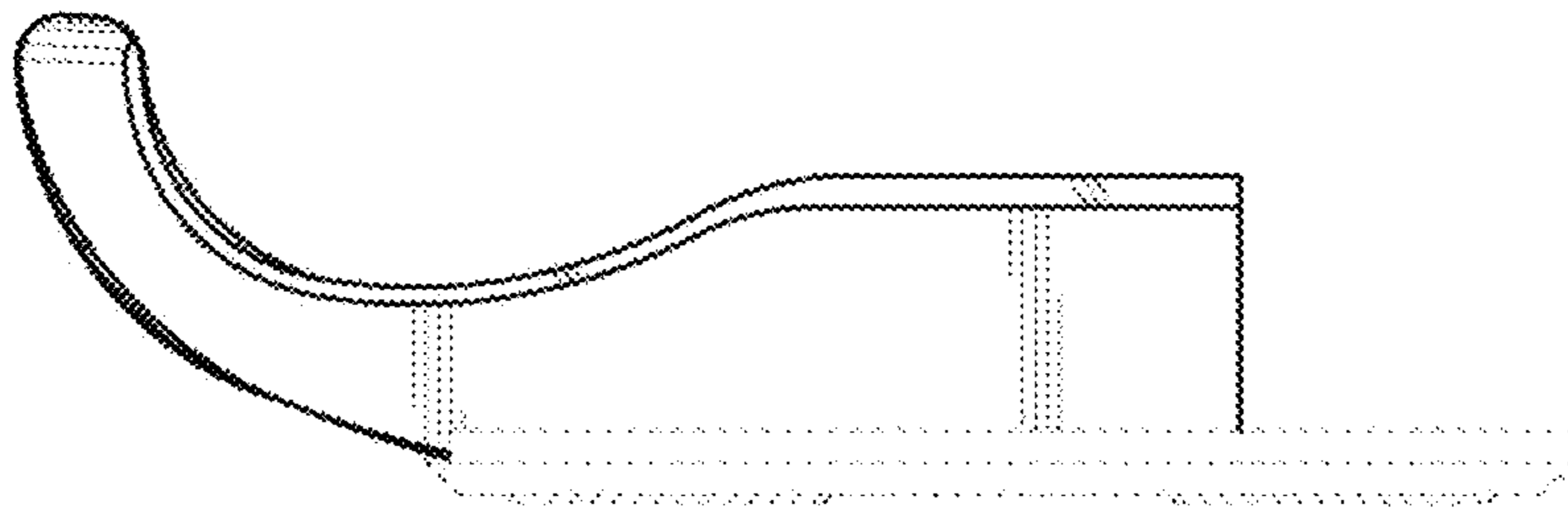




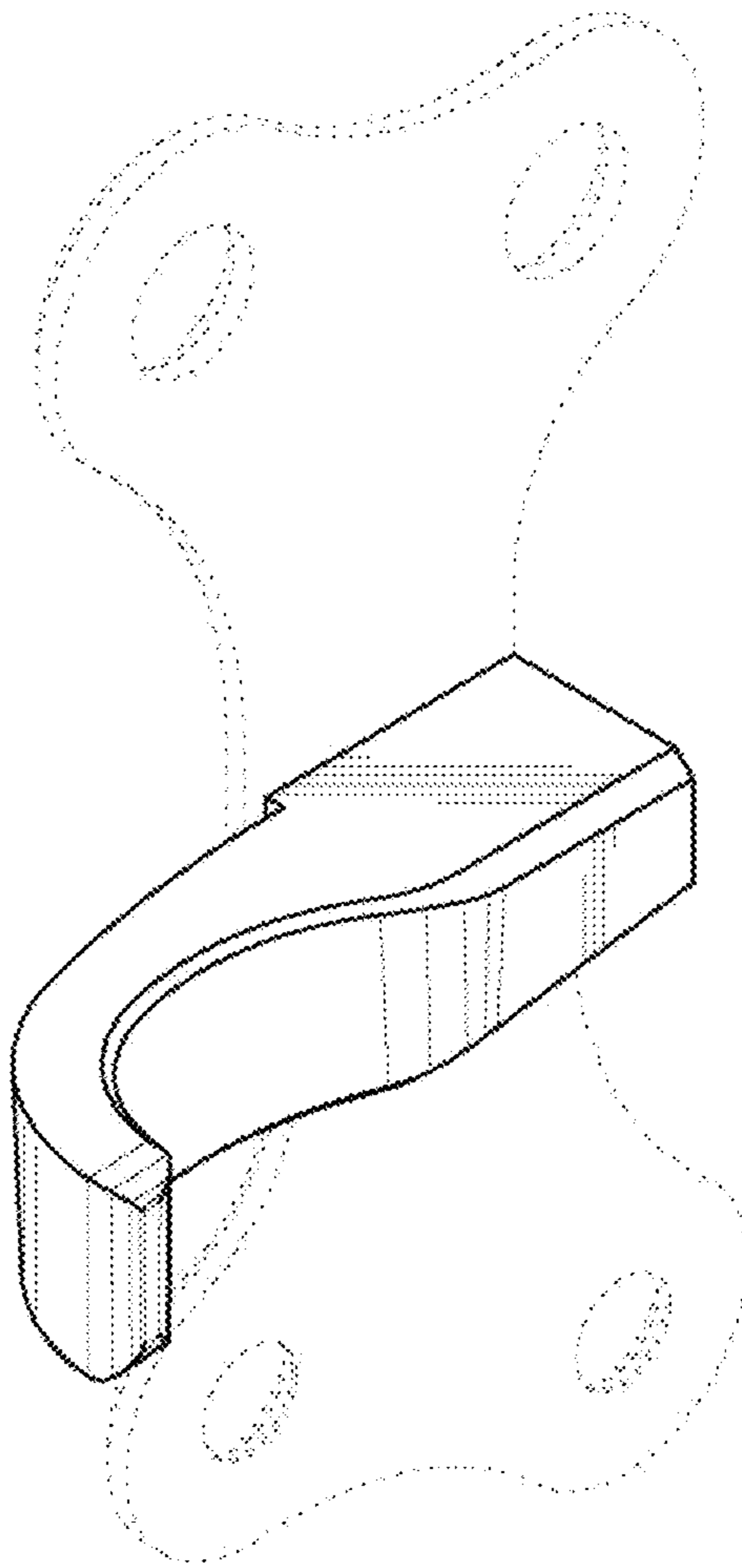
3.7



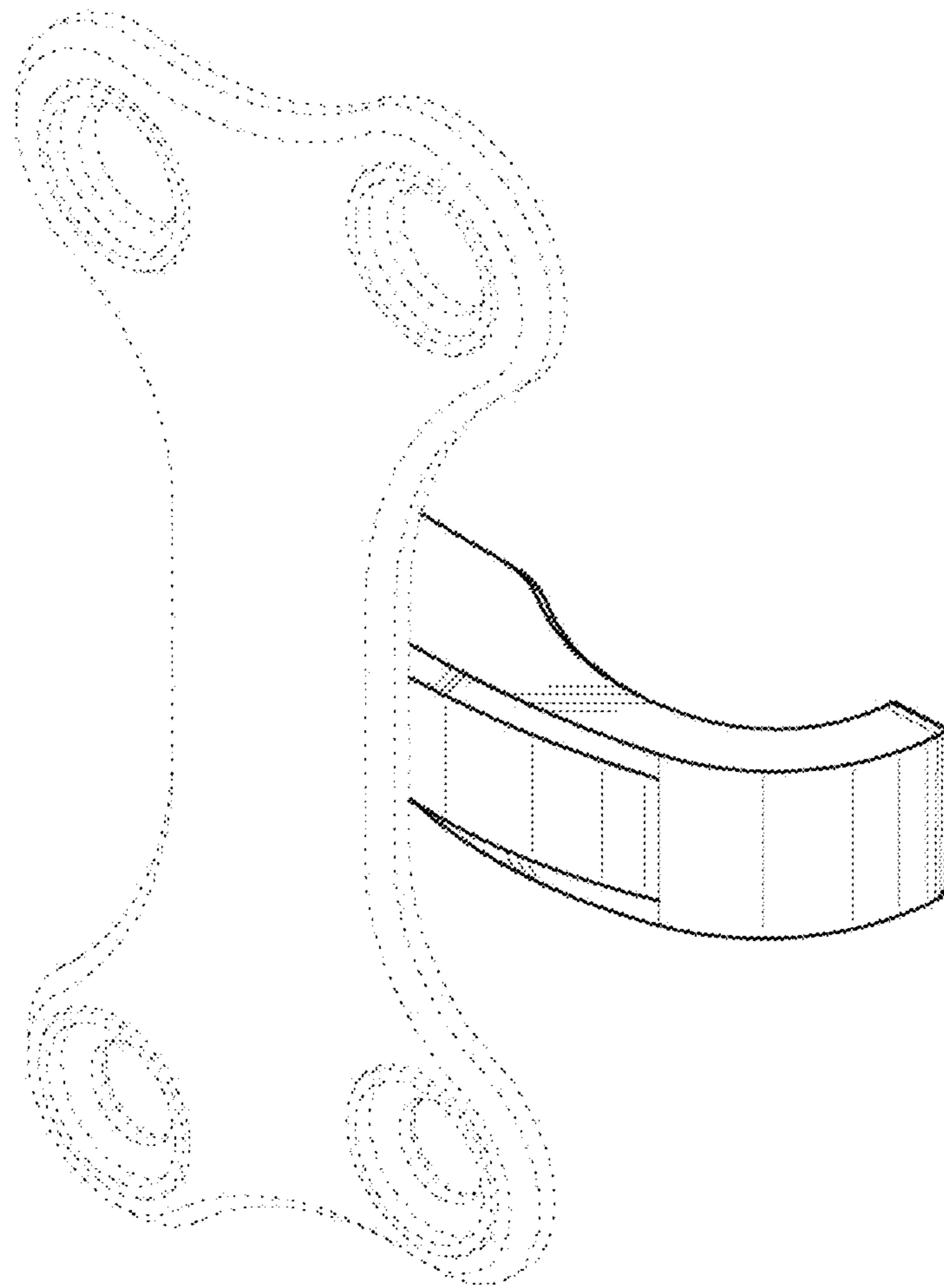
3.8



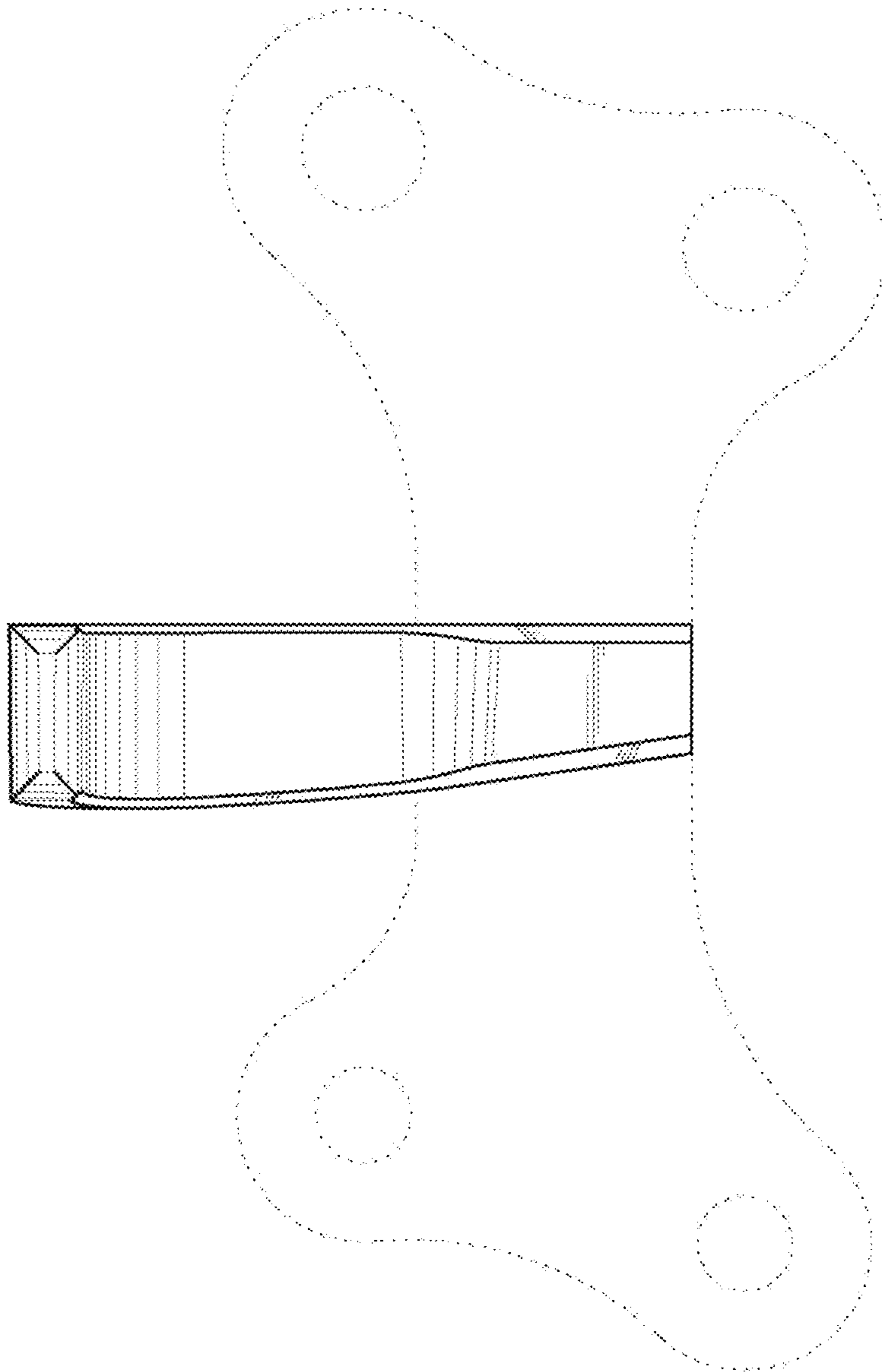
4.1



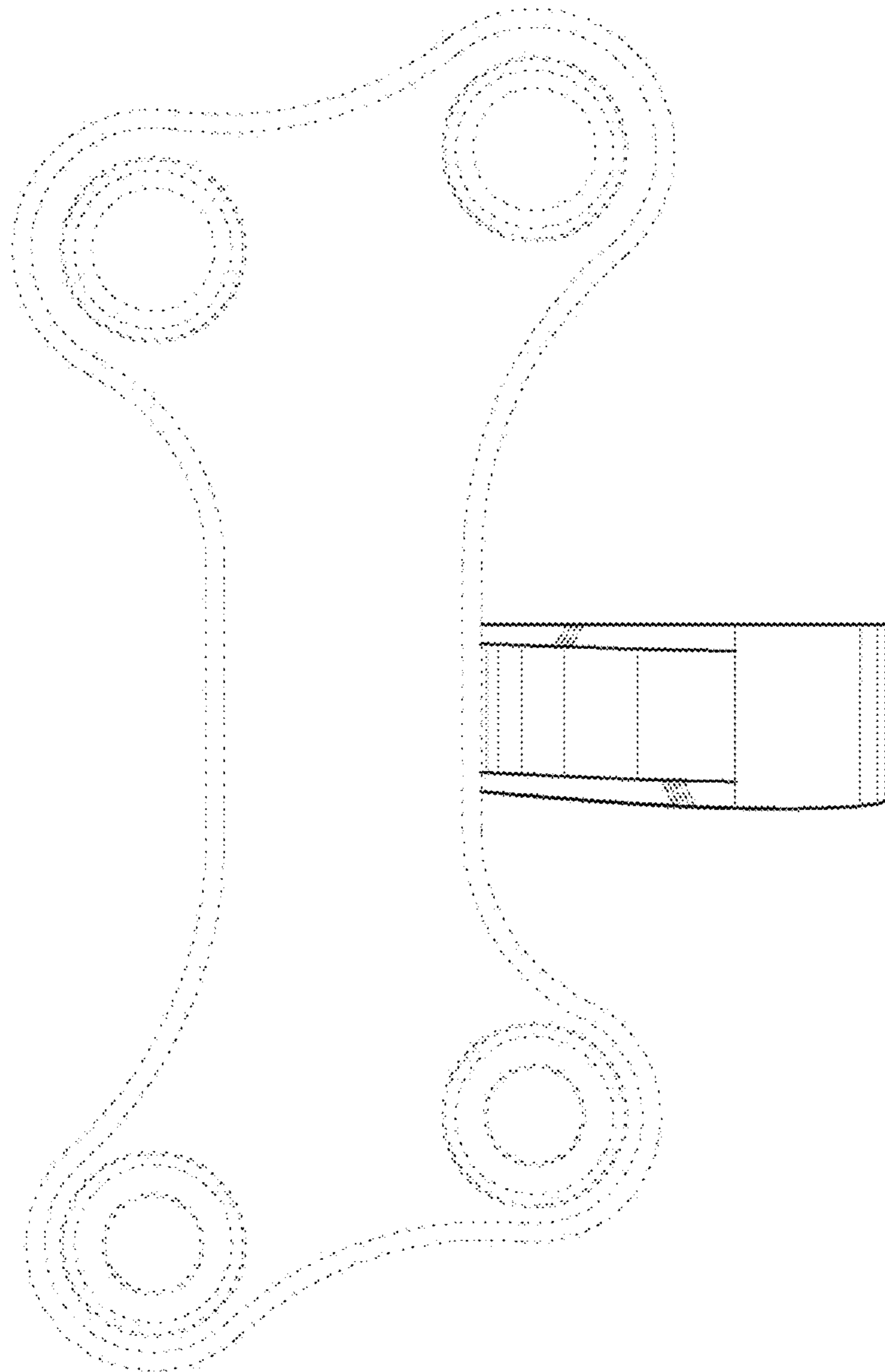
4.2



4.3

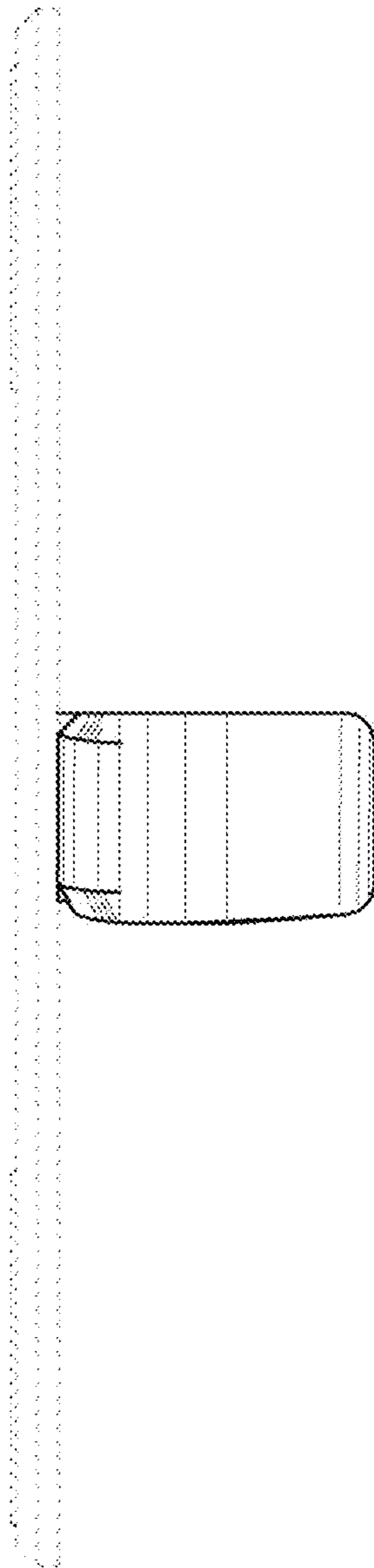


4.4

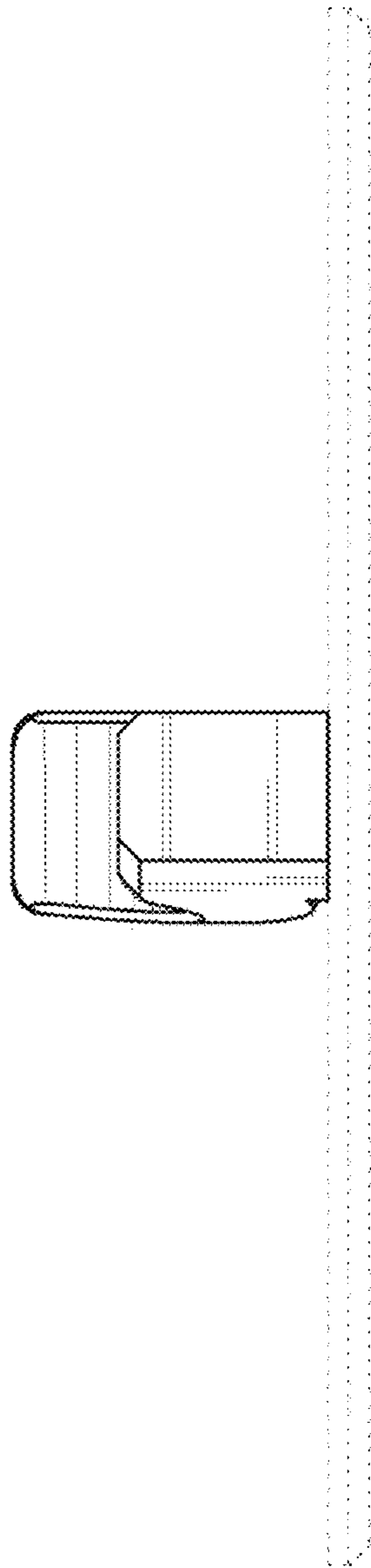




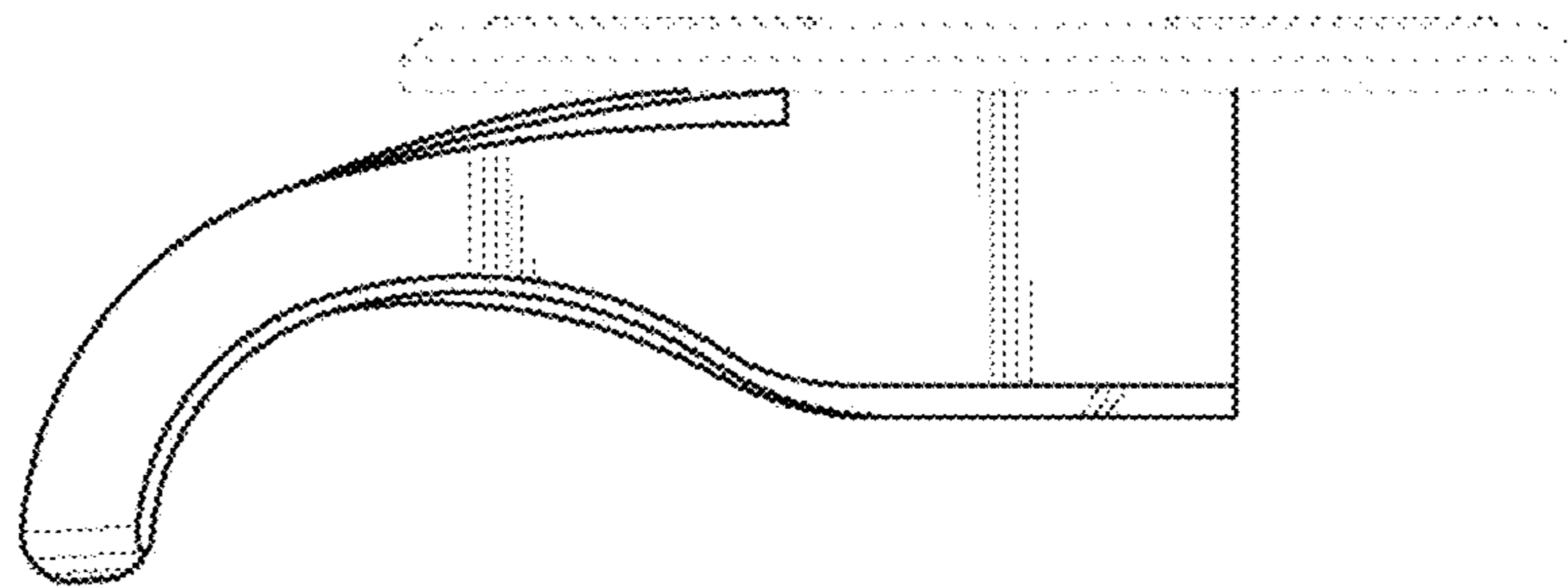
4.5



4.6



4.7



4.8

