



US00D948714S

(12) **United States Design Patent**
Dadachanji

(10) **Patent No.:** **US D948,714 S**
(45) **Date of Patent:** **** Apr. 12, 2022**

- (54) **SYRINGE PLUNGER LOCK**
- (71) Applicant: **KAISHA PACKAGING Private Ltd.,**
Mumbai (IN)
- (72) Inventor: **Rishad Kairus Dadachanji, Mumbai**
(IN)
- (73) Assignee: **KAISHA PACKAGING Private Ltd.,**
Mumbai (IN)

6,712,787 B1 3/2004 Dysarz
 6,905,478 B2 6/2005 Ingram
 D512,627 S * 12/2005 Okada D8/331
 (Continued)

FOREIGN PATENT DOCUMENTS

CN 201768238 U 3/2011
 CN 104147668 A 11/2014
 (Continued)

OTHER PUBLICATIONS

Polypropylene Syringe Filters, 0.22 um, 20mm, Threaded Double Luer Lock, Tisch Scientific, [Post Date unknown], [Site seen Dec. 6, 2021], Seen at URL: <https://scientificfilters.com/polypropylene-syringe-filters-spec18197> (Year: 2021).*
 (Continued)

Primary Examiner — Natasha Vujcic
Assistant Examiner — Gilbert B Ford
 (74) *Attorney, Agent, or Firm* — Renner, Otto, Boisselle & Sklar, LLP

- (**) Term: **15 Years**
- (21) Appl. No.: **29/738,980**
- (22) Filed: **Jun. 22, 2020**
- (51) **LOC (13) Cl.** **24-02**
- (52) **U.S. Cl.**
USPC **D24/130; D24/129**
- (58) **Field of Classification Search**
USPC D24/112–114, 108, 127–131, 133, 186;
D8/334, 339, 343, 349
CPC A61J 1/2096; A61M 5/3257; A61M 5/46;
A61M 5/31501; A61M 2205/273; A61M
5/3205; A61M 5/321
See application file for complete search history.

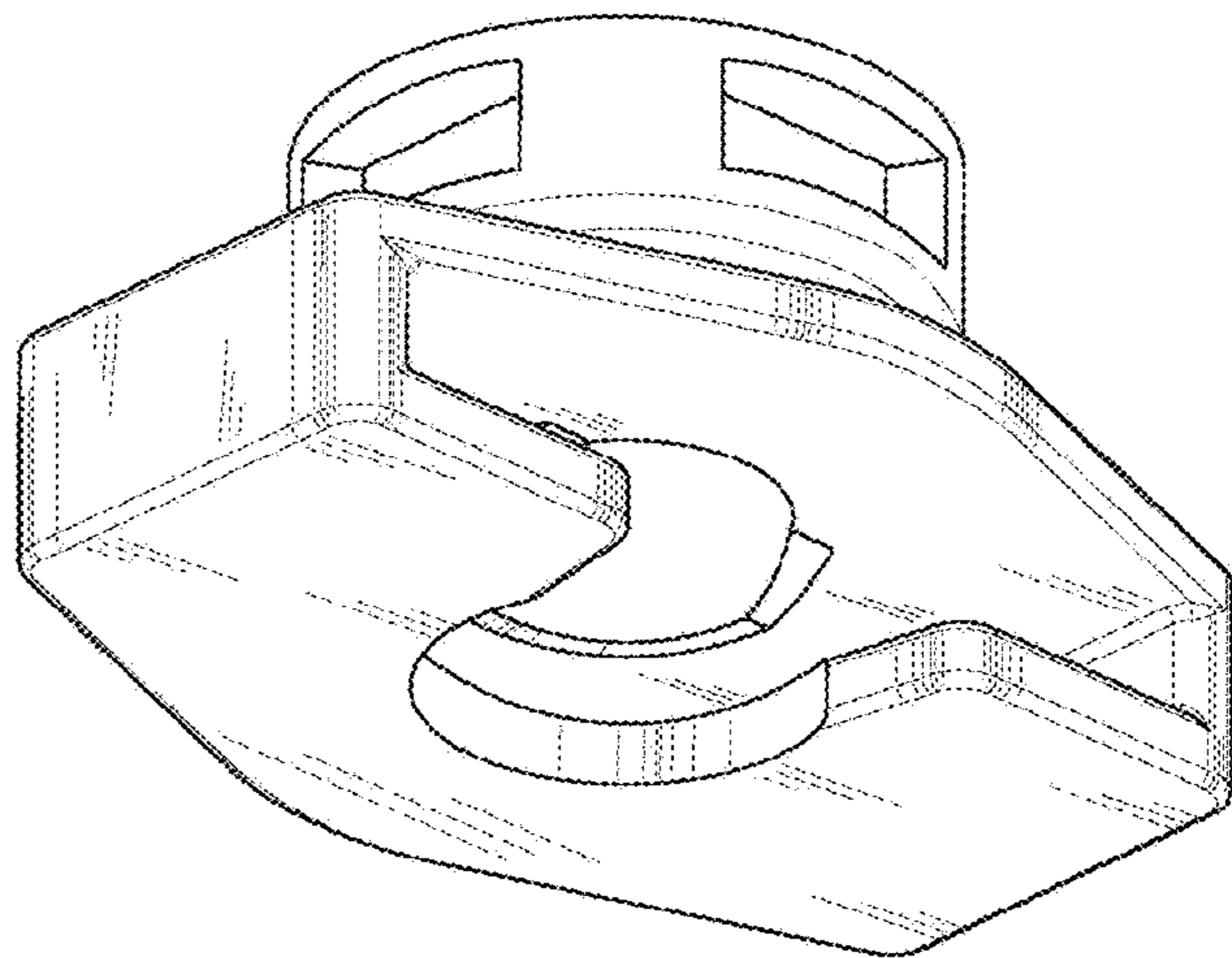
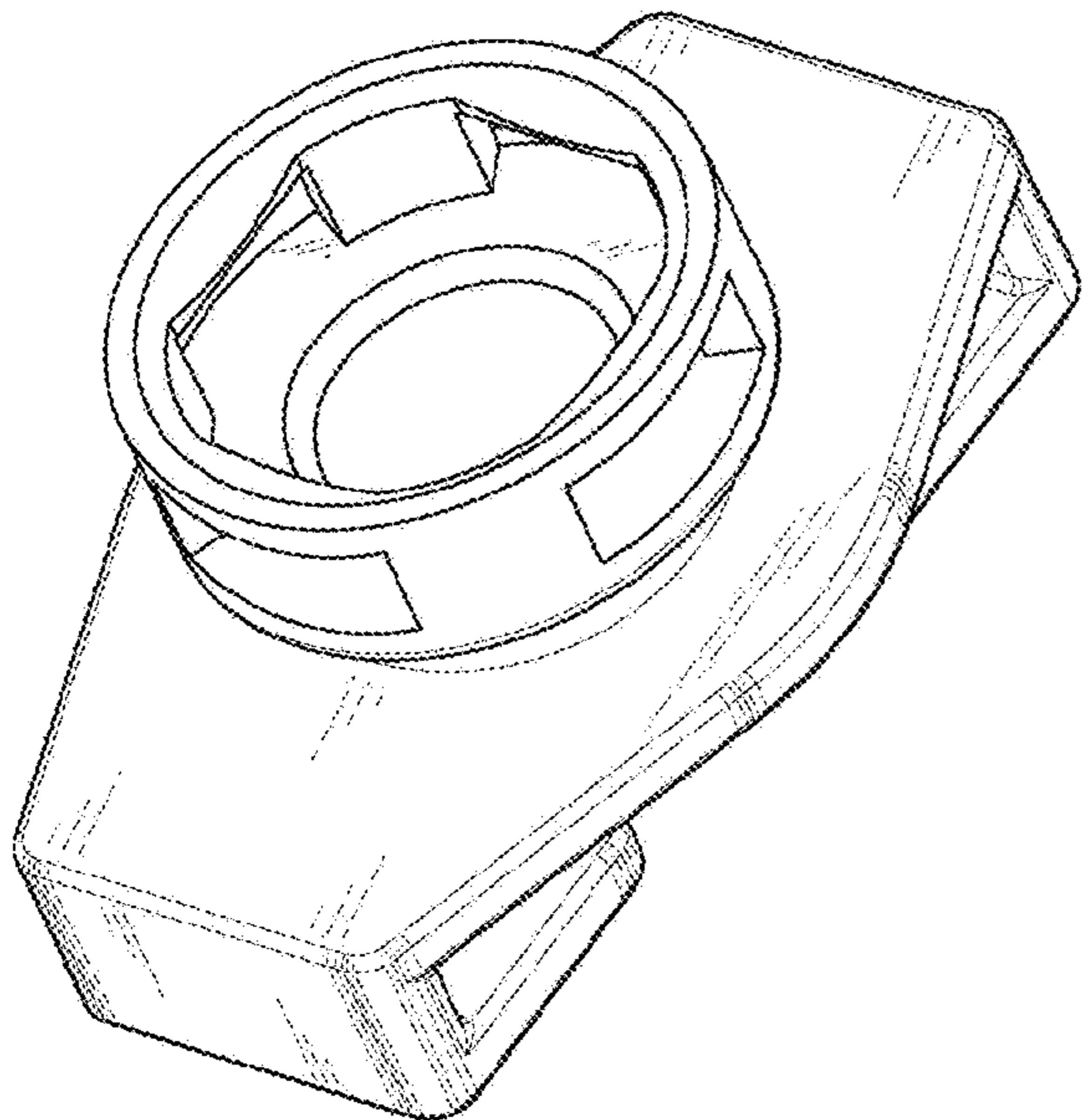
(57) **CLAIM**
 The ornamental design for a syringe plunger lock, as shown and described.

DESCRIPTION

FIG. 1 is a front elevation view of a syringe plunger lock showing my new design;
 FIG. 2 is a rear elevation view thereof;
 FIG. 3 is a top plan view thereof;
 FIG. 4 is a bottom plan view thereof;
 FIG. 5 is a right side elevation view thereof;
 FIG. 6 is a left side elevation view thereof;
 FIG. 7 is a top, left, front perspective view thereof;
 FIG. 8 is a top, right, rear perspective view thereof;
 FIG. 9 is a bottom, left, front perspective view thereof; and,
 FIG. 10 is bottom, right, front perspective view thereof.

1 Claim, 10 Drawing Sheets

- (56) **References Cited**
U.S. PATENT DOCUMENTS
 4,610,672 A 9/1986 Ewalt
 4,874,385 A 10/1989 Moran
 5,062,833 A 11/1991 Perler
 5,358,497 A 10/1994 Dorsey
 5,370,620 A 12/1994 Shonfeld
 5,417,661 A 5/1995 Stringer
 5,667,495 A 9/1997 Bitdinger
 D410,724 S * 6/1999 Robles D22/122
 6,086,568 A 7/2000 Caizza
 6,117,112 A 9/2000 Mahurkar
 6,368,305 B1 4/2002 Dutton



US D948,714 S

Page 2

(56)

References Cited

U.S. PATENT DOCUMENTS

7,476,218 B2 1/2009 Bloom
7,481,797 B2 1/2009 Mahurkar
8,066,668 B2 11/2011 Wayman
8,075,535 B2 12/2011 Carrel
8,790,302 B2 7/2014 Wayman
D712,503 S * 9/2014 Aiston D22/122
D753,488 S * 4/2016 Escobar D9/445
D765,838 S 9/2016 McGarry et al.
9,561,327 B2 2/2017 Mottola
9,597,455 B2 3/2017 Schiff
D790,691 S 6/2017 Davis et al.
D794,187 S 8/2017 Dolk et al.
D812,223 S 3/2018 Evans et al.
10,010,682 B2 7/2018 Adam
D866,323 S * 11/2019 Miksovsky D9/443
D869,933 S * 12/2019 Lee D8/334
10,537,683 B2 1/2020 Ruddocks et al.
D905,041 S * 12/2020 Ahn D14/253
D911,813 S * 3/2021 Pyle D8/343
D922,572 S * 6/2021 Bertrand A61B 34/70
D24/129
2010/0063451 A1 * 3/2010 Gray A61M 39/0208
604/175
2012/0150129 A1 * 6/2012 Jin A61M 39/10
604/240
2015/0045740 A1 2/2015 Kojima
2016/0361523 A1 * 12/2016 Haughton A61M 25/10185

2017/0143892 A1 5/2017 Schiff
2019/0388660 A1 * 12/2019 Negre A61M 27/006
2020/0405963 A1 * 12/2020 Combes A61M 5/315
2021/0077738 A1 * 3/2021 Dadachanji A61M 5/31576

FOREIGN PATENT DOCUMENTS

CN 105031772 A 11/2015
CN 204864383 U 12/2015
DE 3811973 A 8/1989
EP 337074 A 10/1989
EP 1092445 A 4/2001
EP 1377331 A 1/2004
EP 1626760 A 2/2006
EP 2445554 A 5/2012
EP 2968791 A 1/2016
EP 008015283-0004 * 11/2020
JP HJ1904582400 A 9/2007
JP 1655598 A 3/2020
KR 300789526.0000 * 4/2015
KR 301053854.0000 * 4/2020
KR 301075728.0000 * 9/2020

OTHER PUBLICATIONS

Gerresheimer product catalogue; "Gx® syringe systems and glass cartridges."

* cited by examiner

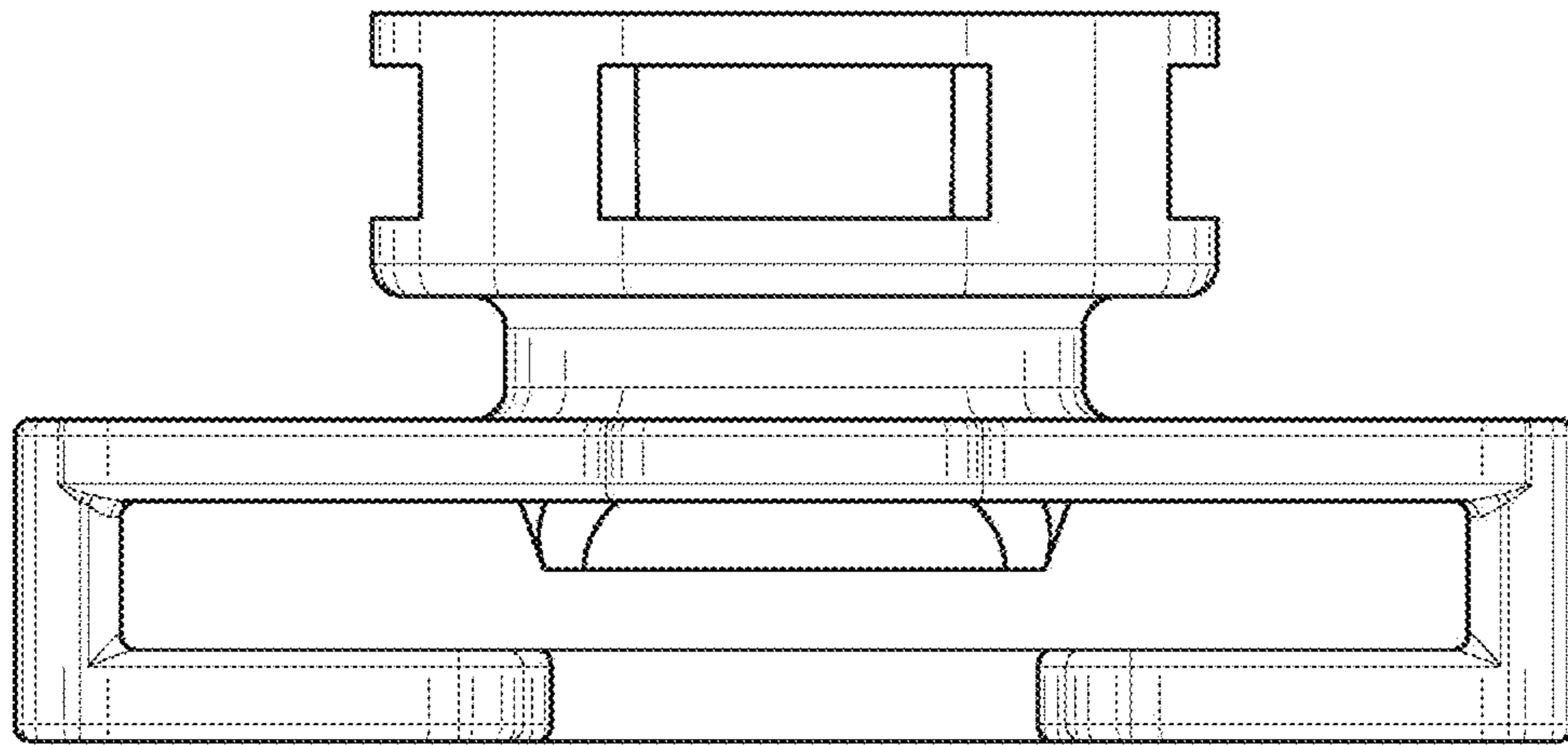


FIG. 1

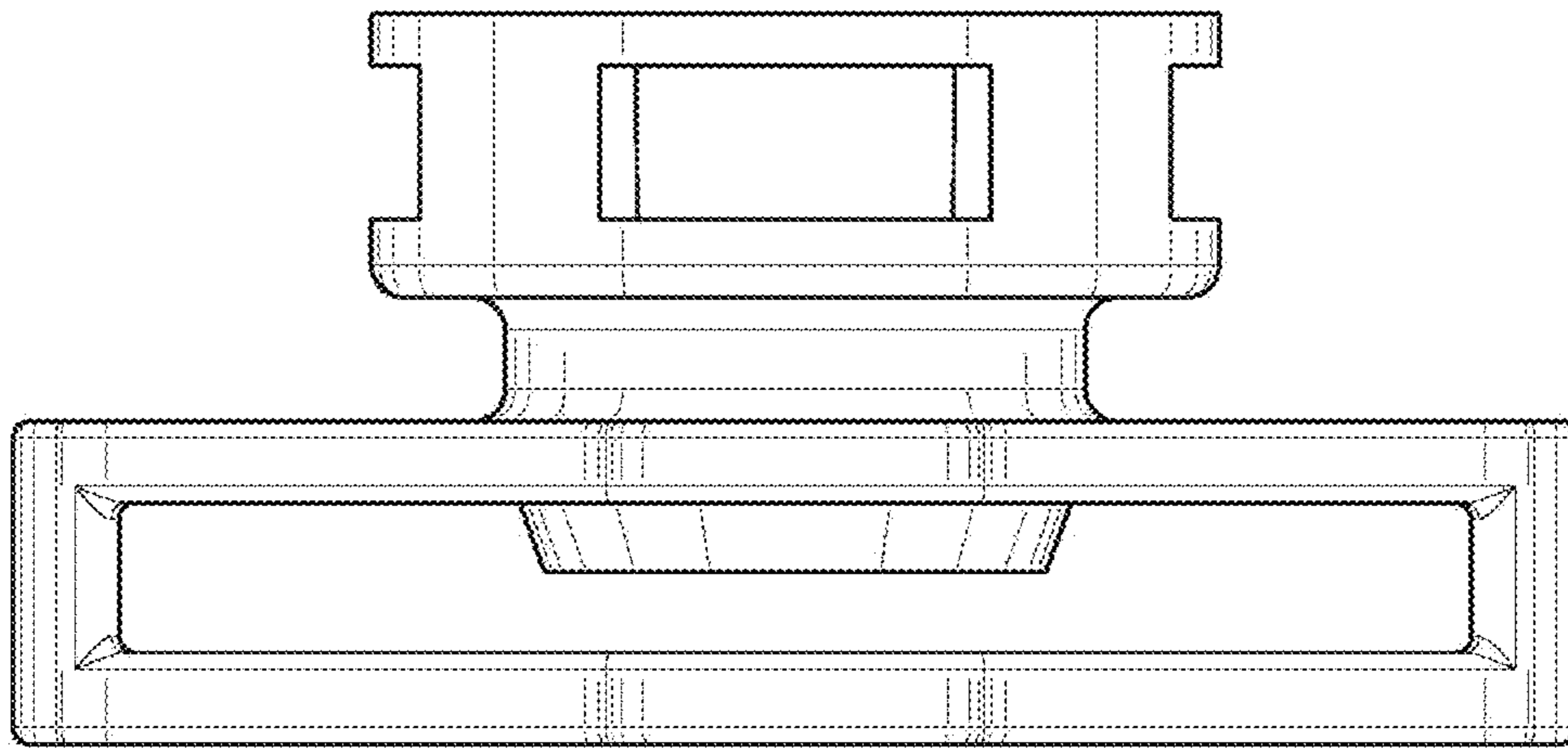


FIG. 2

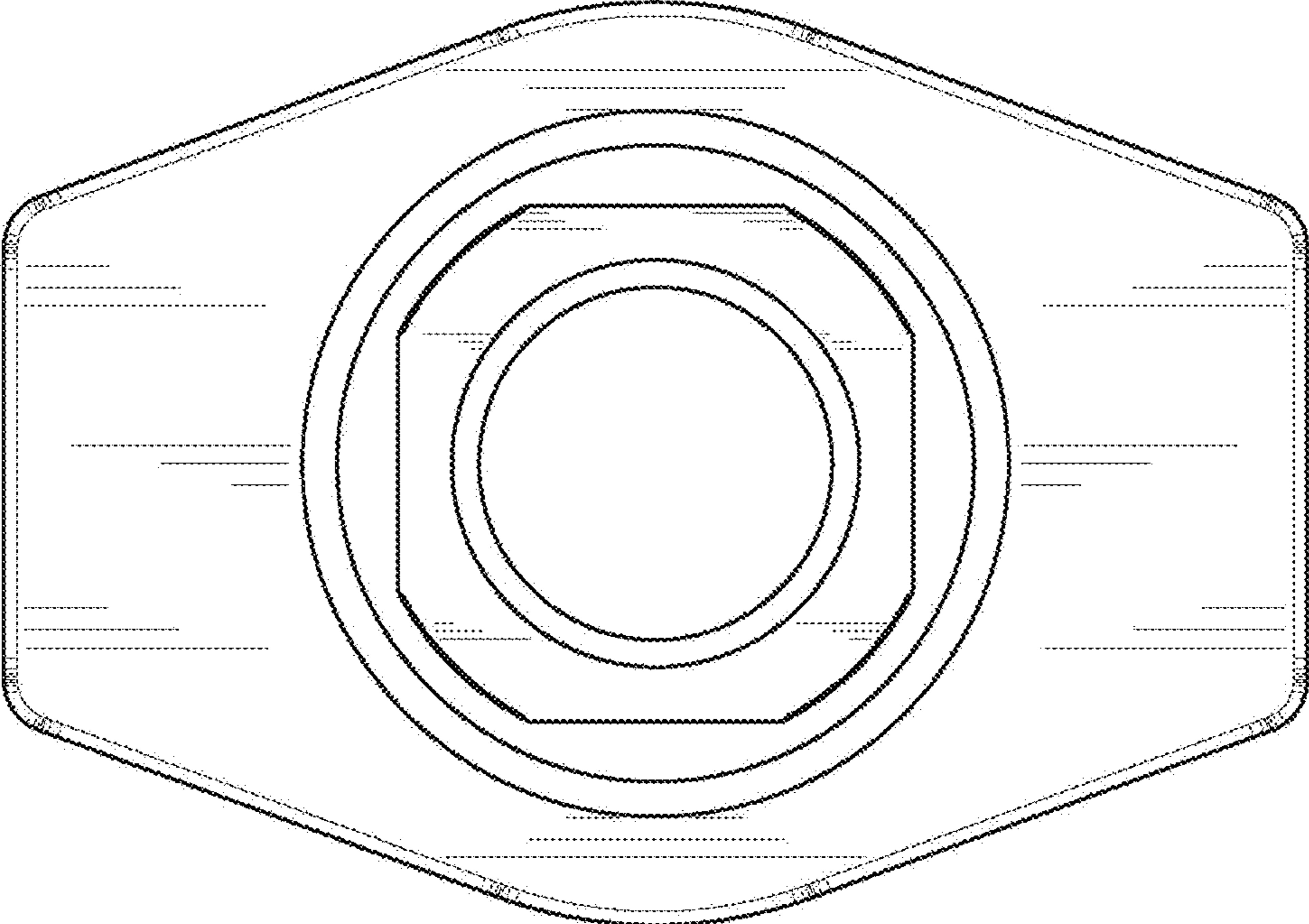


FIG. 3

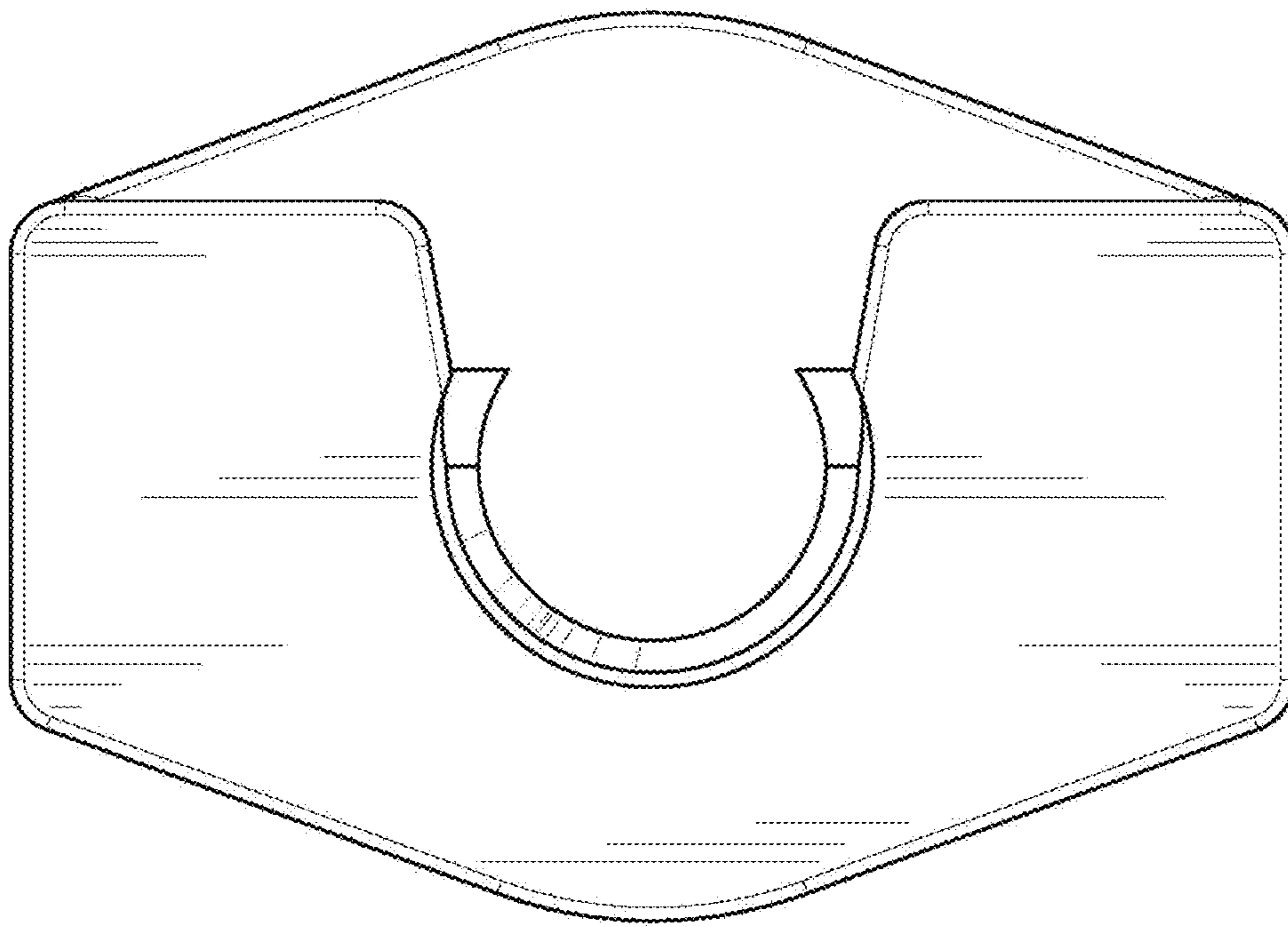


FIG. 4

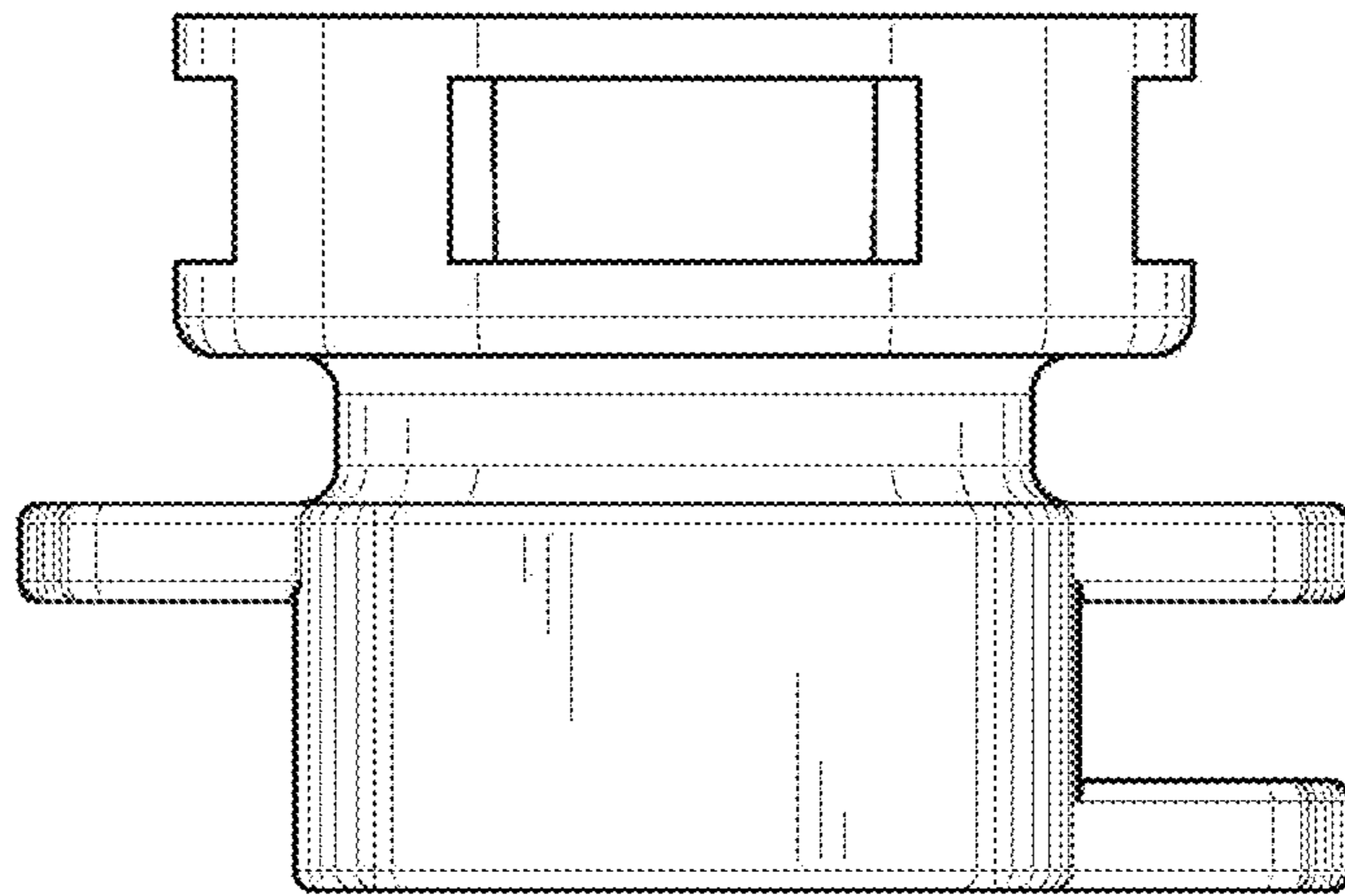


FIG. 5

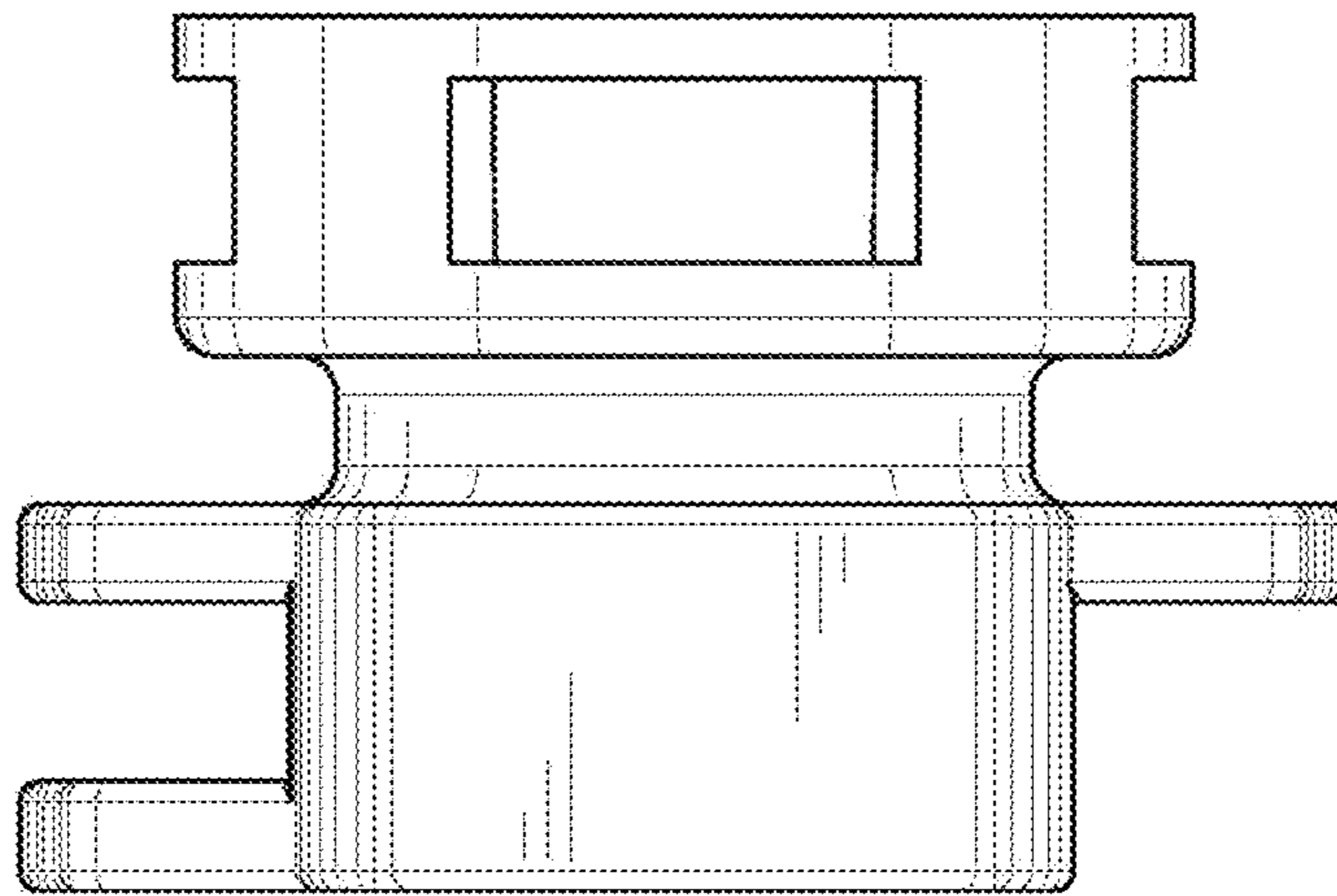


FIG. 6

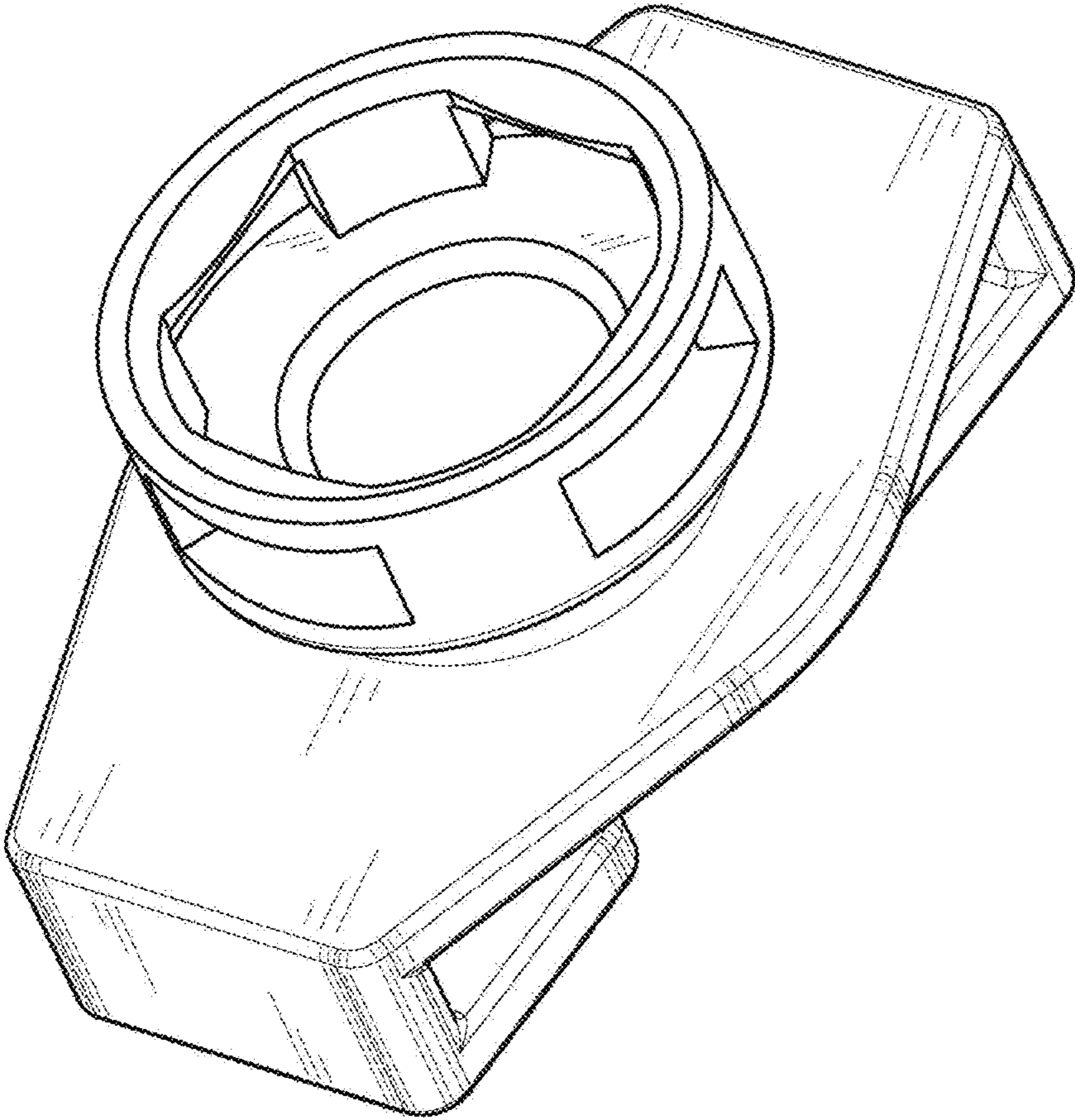


FIG. 7

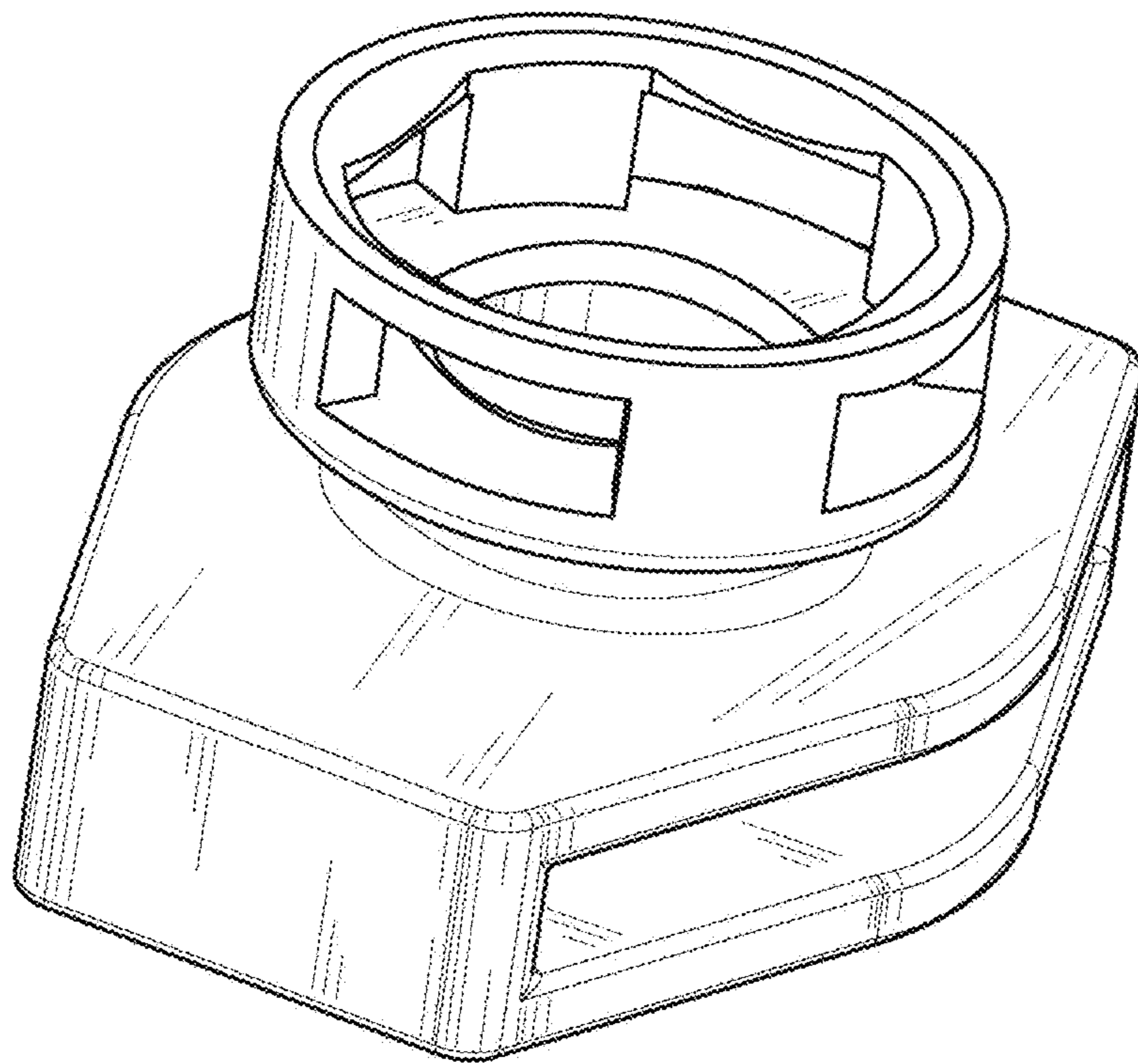


FIG. 8

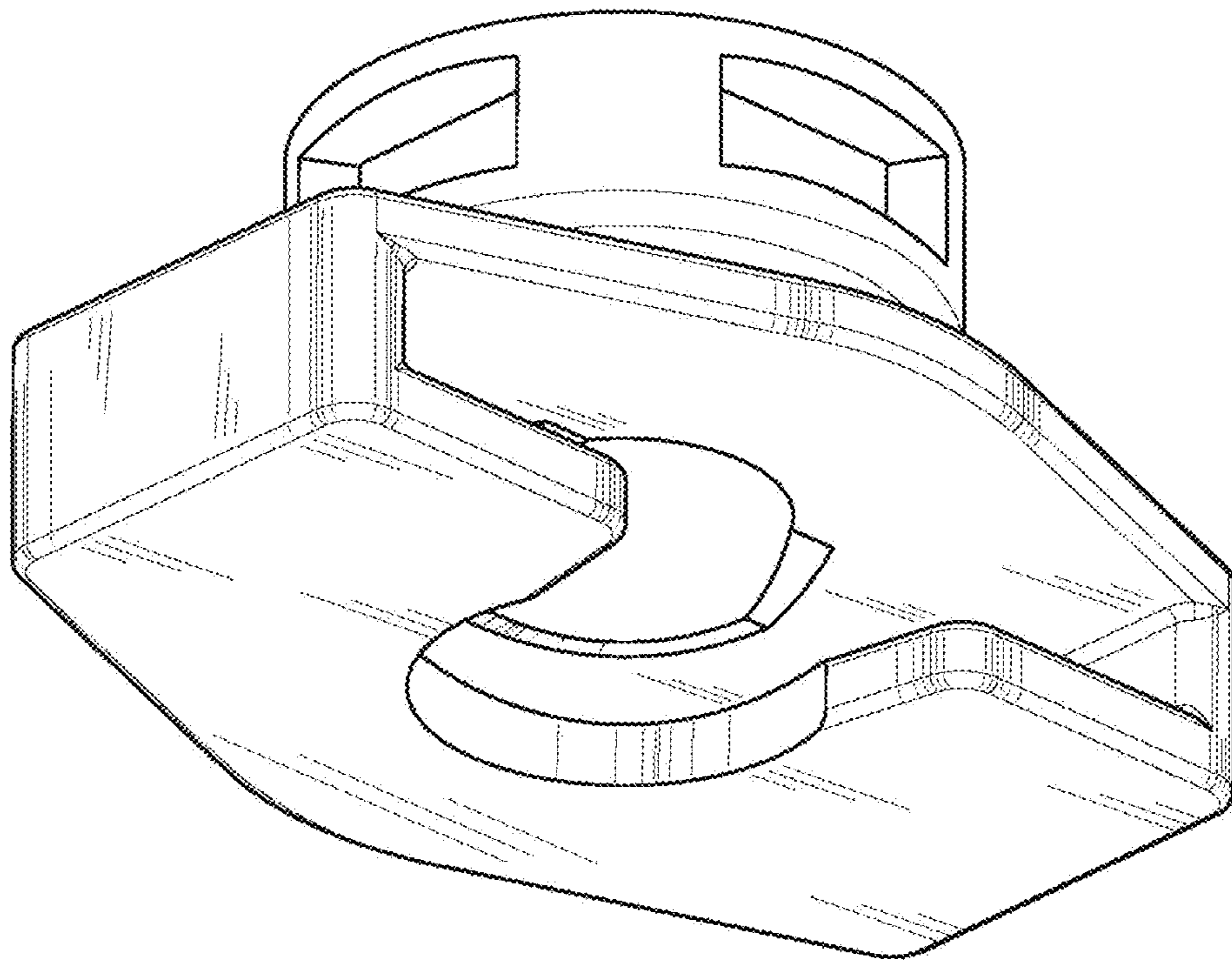


FIG. 9

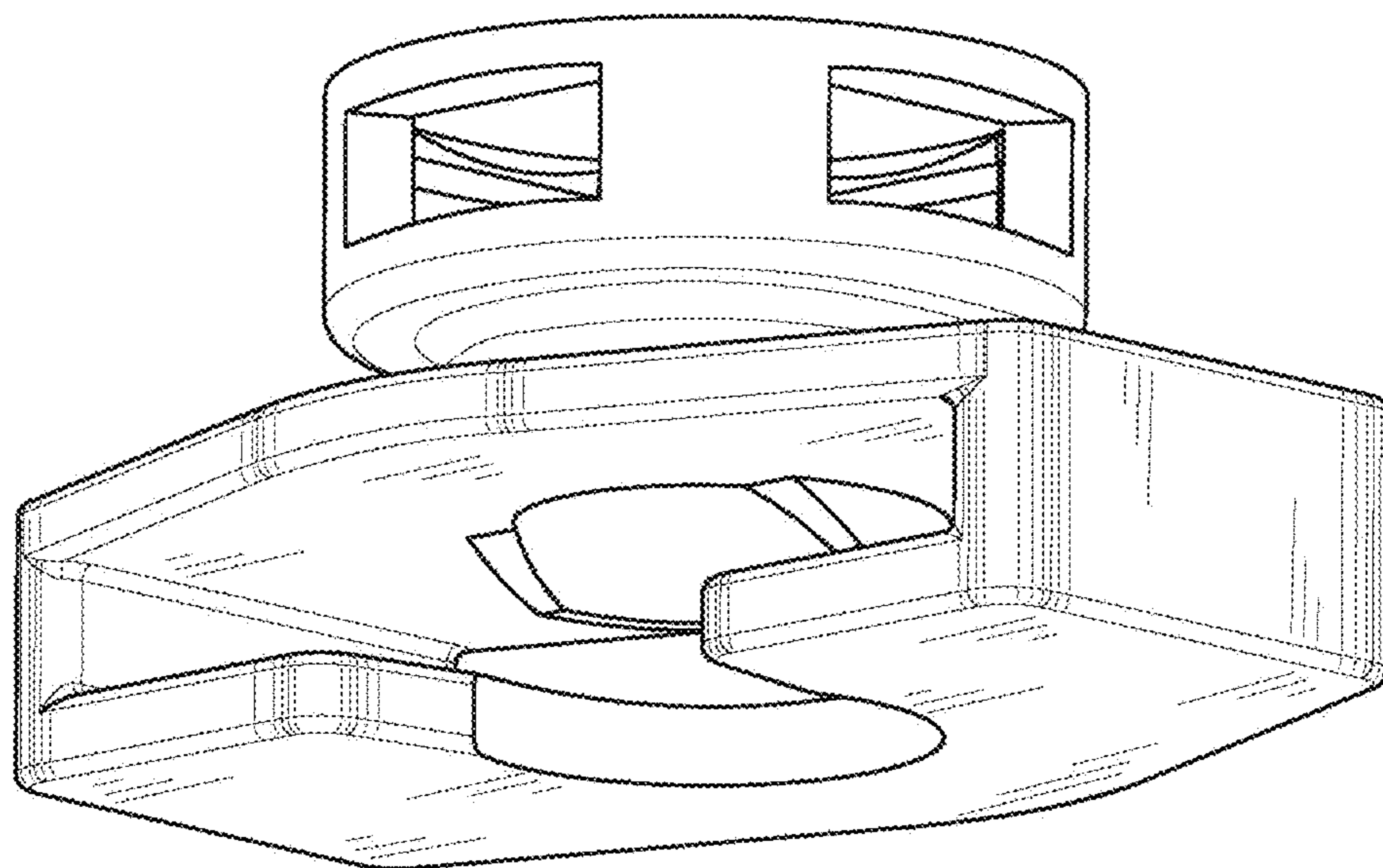


FIG. 10