



US00D948712S

(12) **United States Design Patent** (10) **Patent No.:** **US D948,712 S**
Clouser (45) **Date of Patent:** **** Apr. 12, 2022**

(54) **IV LOCK BOX**

(71) Applicant: **Gary L. Sharpe**, Naples, FL (US)

(72) Inventor: **Doug Clouser**, Galloway, OH (US)

(73) Assignee: **Gary L. Sharpe**, Naples, FL (US)

(**) Term: **15 Years**

(21) Appl. No.: **29/739,540**

(22) Filed: **Jun. 26, 2020**

(51) **LOC (13) Cl.** **24-02**

(52) **U.S. Cl.**
USPC **D24/128**

(58) **Field of Classification Search**
USPC D24/127-131, 112-114, 133, 186;
D3/294; D8/331, 333, 334
CPC .. A61J 1/16; A61J 1/1437; A45C 3/00; A45C
5/005; A45C 5/04

See application file for complete search history.

(56) **References Cited**

U.S. PATENT DOCUMENTS

D376,691 S *	12/1996	Naas	D3/274
5,768,921 A *	6/1998	Hill	A47G 29/10
				109/64
D623,398 S *	9/2010	Meiser	D3/203.1
D650,986 S *	12/2011	Brady	D3/203.1
D832,429 S *	10/2018	Sharpe	D24/128
D838,480 S *	1/2019	Son	D3/294
D858,101 S *	9/2019	Williams	D3/294
D899,219 S *	10/2020	Yu	D8/333
D904,760 S *	12/2020	Hyun	D3/273
D907,049 S *	1/2021	Yu	D14/440
D928,410 S *	8/2021	Kim	D28/73
D930,362 S *	9/2021	Liao	D3/294

D937,325 S *	11/2021	Clouser	D15/7
2013/0214655 A1 *	8/2013	Sharpe	A61J 1/16
				312/209
2021/0186811 A1 *	6/2021	Donschietz	A61J 1/065

OTHER PUBLICATIONS

Two Hook, Lock-To-Pole IV Lock Box with Key Lock, Clear, Medicus Health, Medicus Health, [Post Date Unknown], [Site seen Dec. 9, 2021], Seen at URL: <https://www.medicus-health.com/safety/medication-storage/iv-medication-lock-boxes/lock-to-pole-iv-lock-box-with-key-lock-clear-two-hook.html> (Year: 2021).*

(Continued)

Primary Examiner — Natasha Vujcic
Assistant Examiner — Gilbert B Ford
(74) *Attorney, Agent, or Firm* — Standley Law Group LLP; Jeffrey Standley; Jeffrey Norris

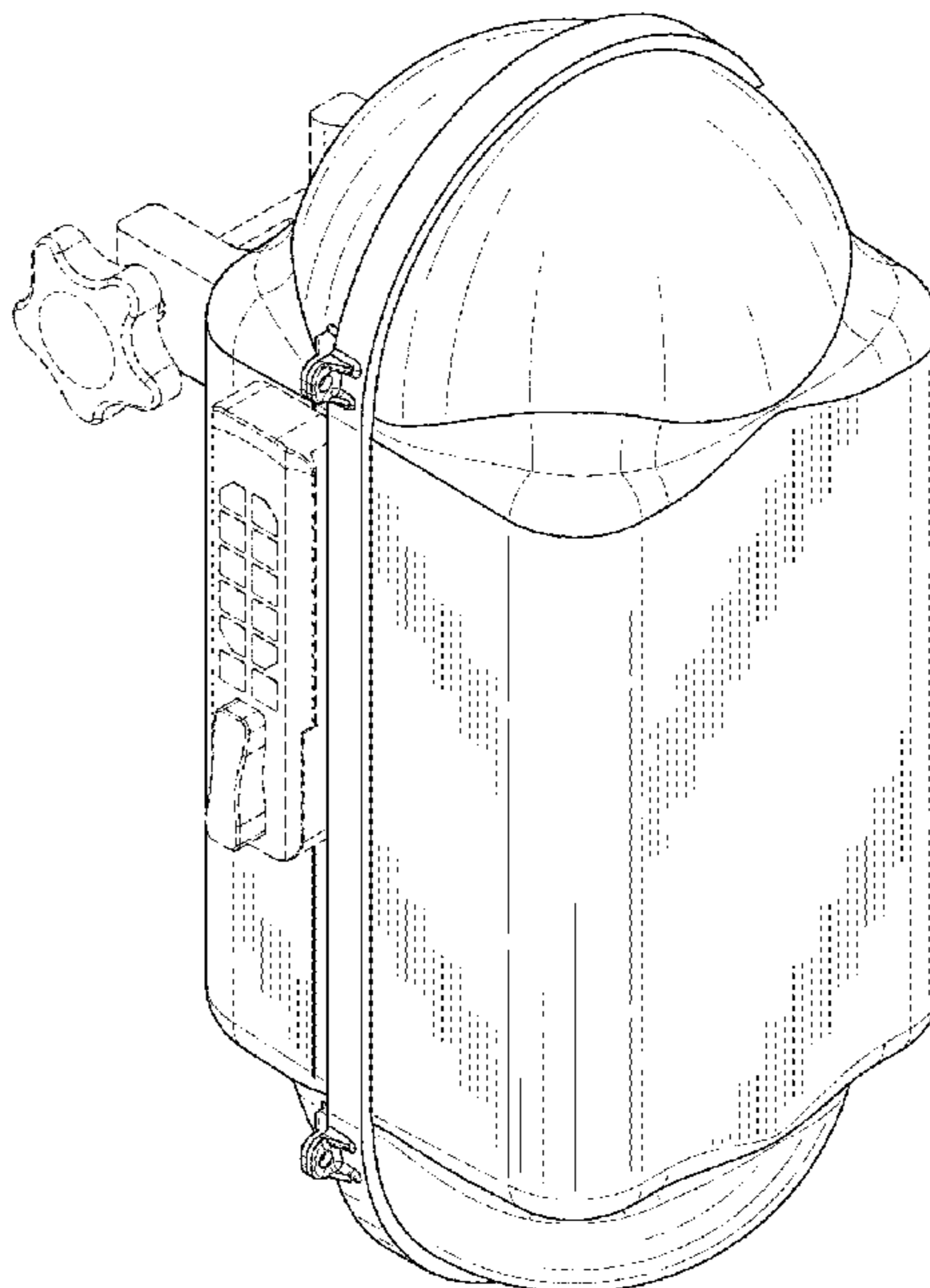
(57) **CLAIM**

I claim, the ornamental design for an IV lock box, as shown and described.

DESCRIPTION

FIG. 1 is a first perspective view of an IV lock box; FIG. 2 is a second perspective view of the IV lock box of FIG. 1; FIG. 3 is a first elevation view of the IV lock box of FIG. 1; FIG. 4 is a second elevation view of the IV lock box of FIG. 1; FIG. 5 is a third elevation view of the IV lock box of FIG. 1; FIG. 6 is a fourth elevation view of the IV lock box of FIG. 1; FIG. 7 is a top plan view of the IV lock box of FIG. 1; and, FIG. 8 is a bottom plan view of the IV lock box of FIG. 1. The broken lines in the drawings depict portions of an IV lock box that form no part of the claimed design.

1 Claim, 7 Drawing Sheets



(56)

References Cited

OTHER PUBLICATIONS

HCL 19887 The Pod IV Lock Box W/ Kedl, Amber , Health Care Logistics, Devine Medical, [Post Date unknown], [Site seen Dec. 9, 2021], Seen at URL: <https://www.devinemedical.com/19887-The-Pod-IV-Lock-Box-w-KEDL-Amber-p/hcl-19887.htm> (Year: 2021).*

* cited by examiner

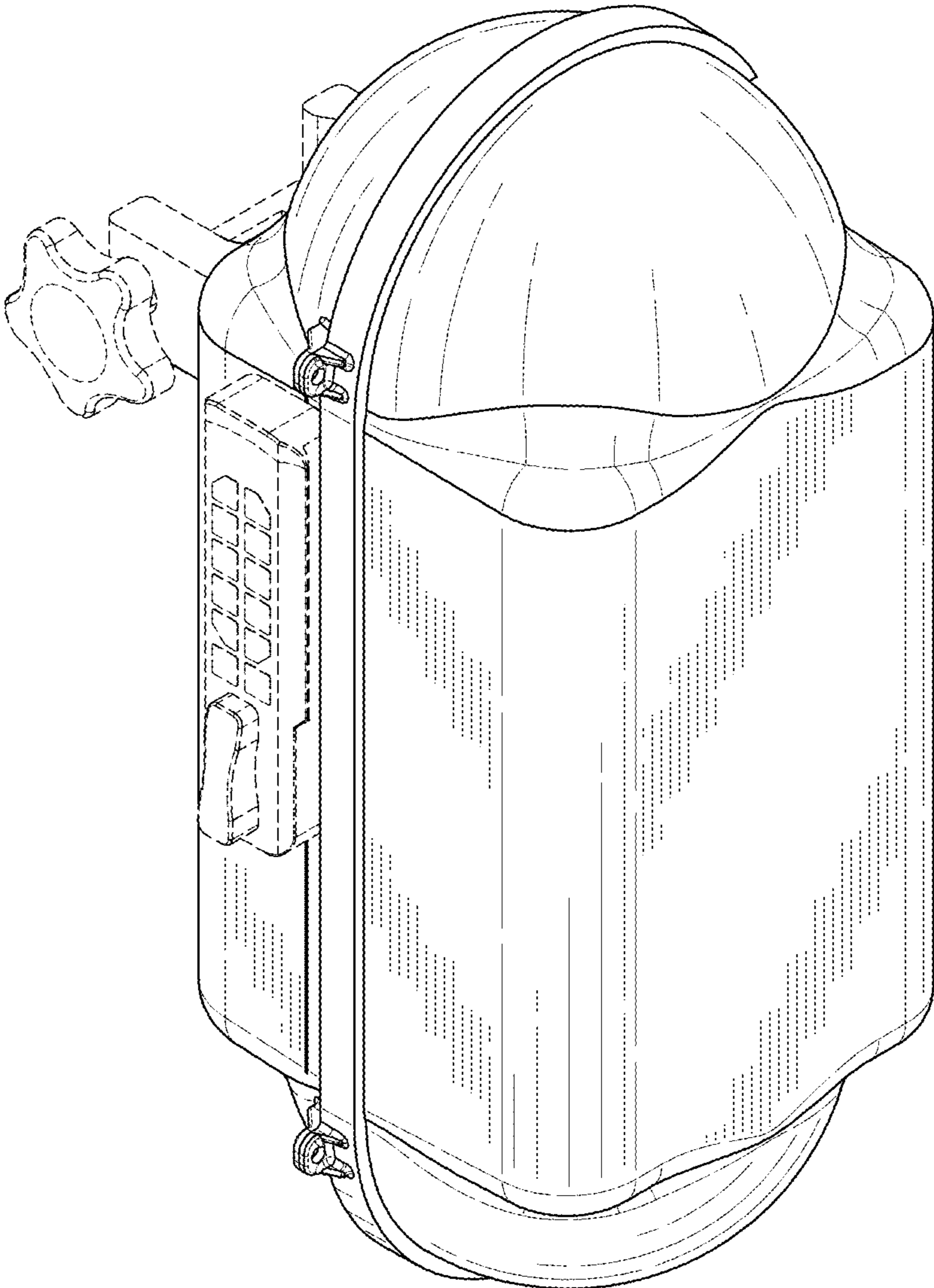


FIG. 1

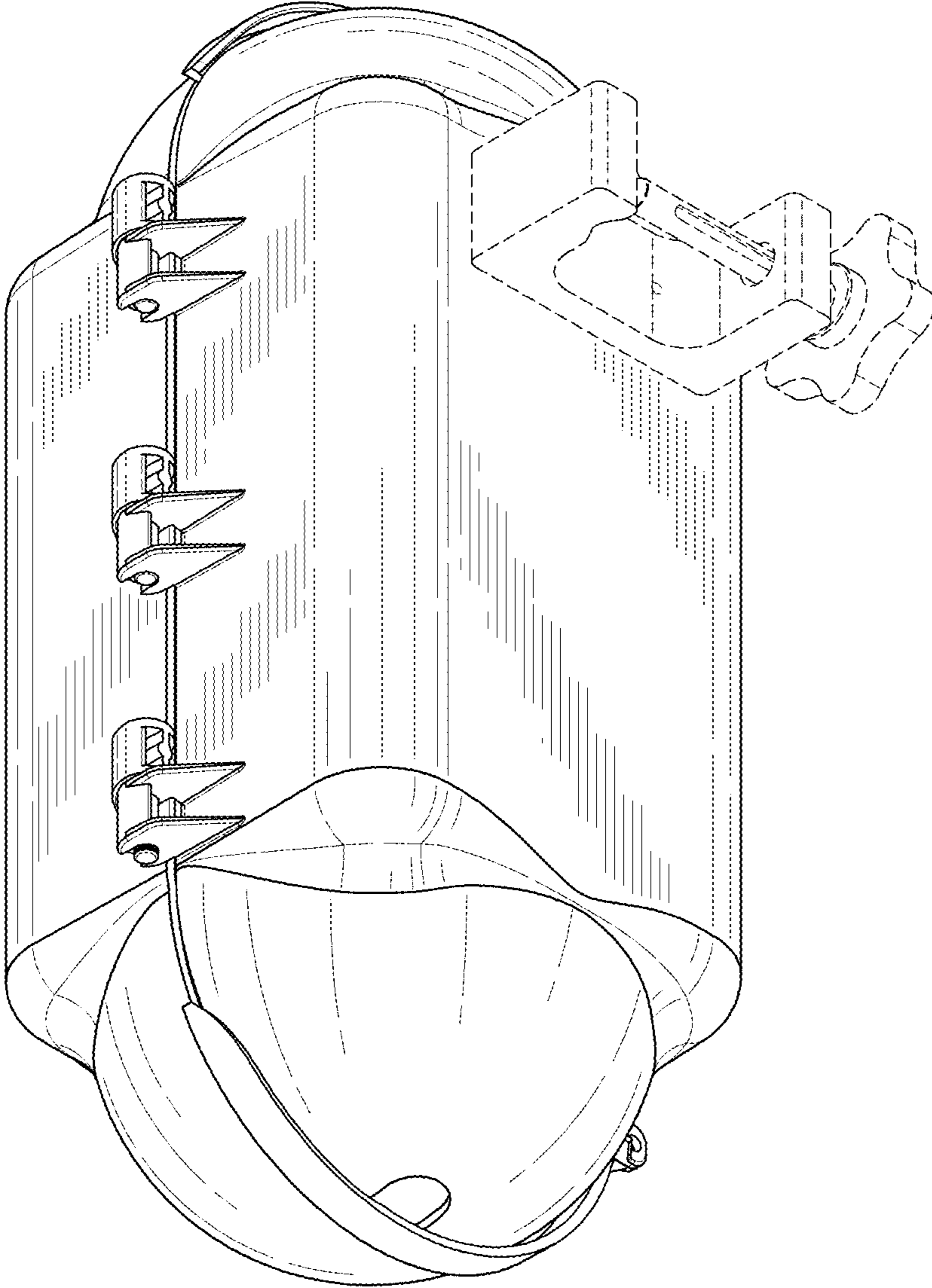


FIG. 2

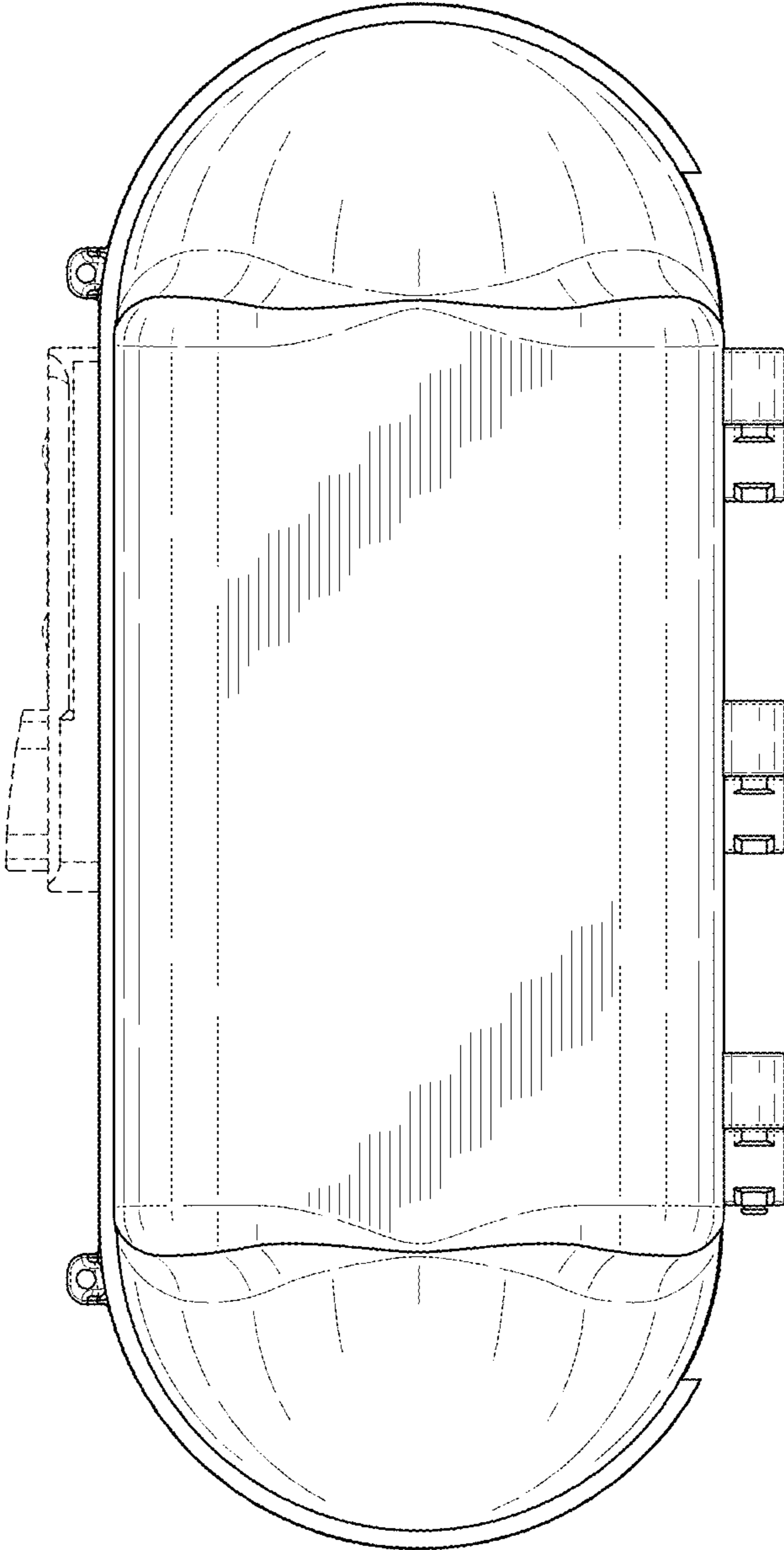


FIG. 3

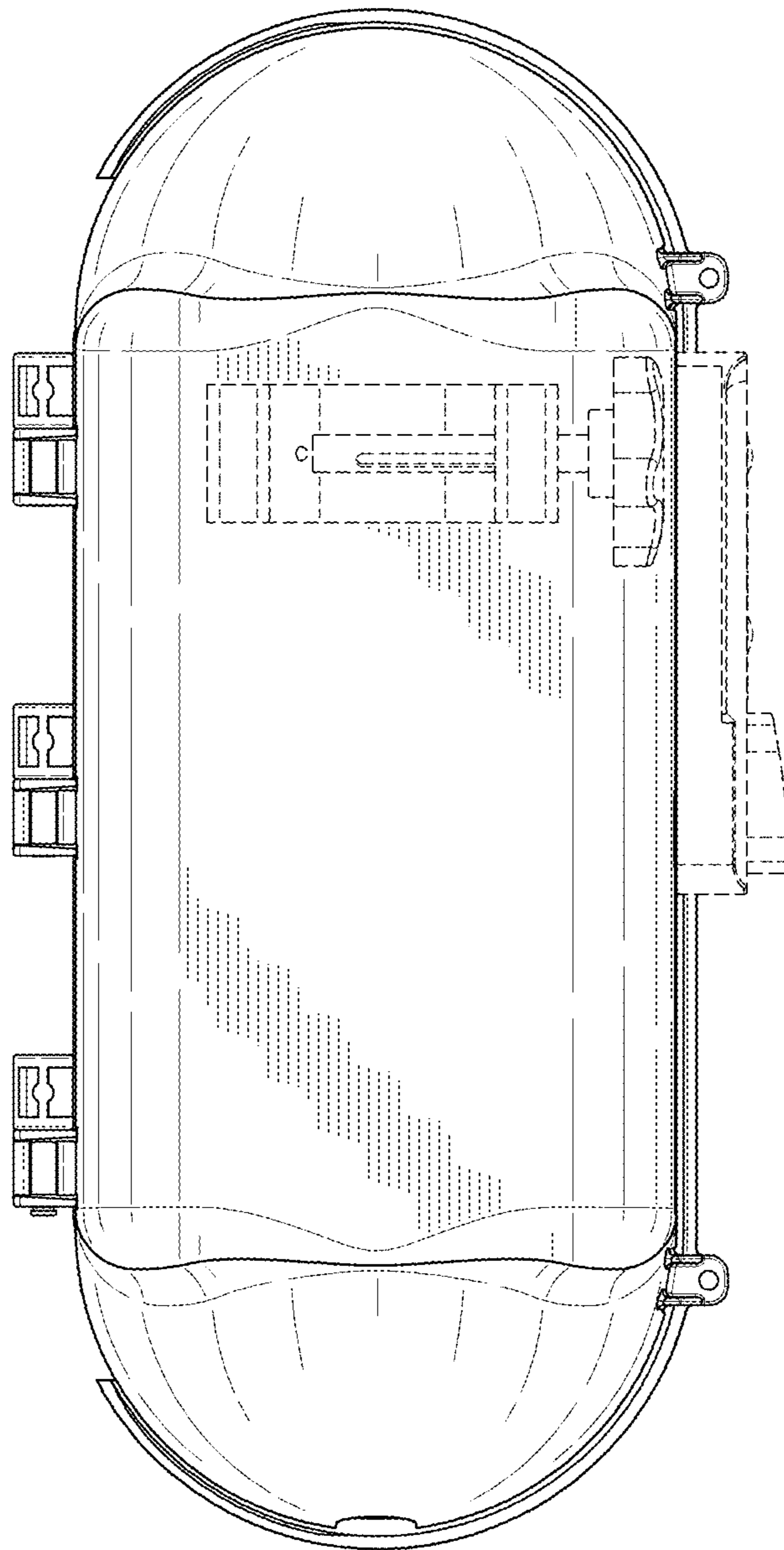


FIG. 4

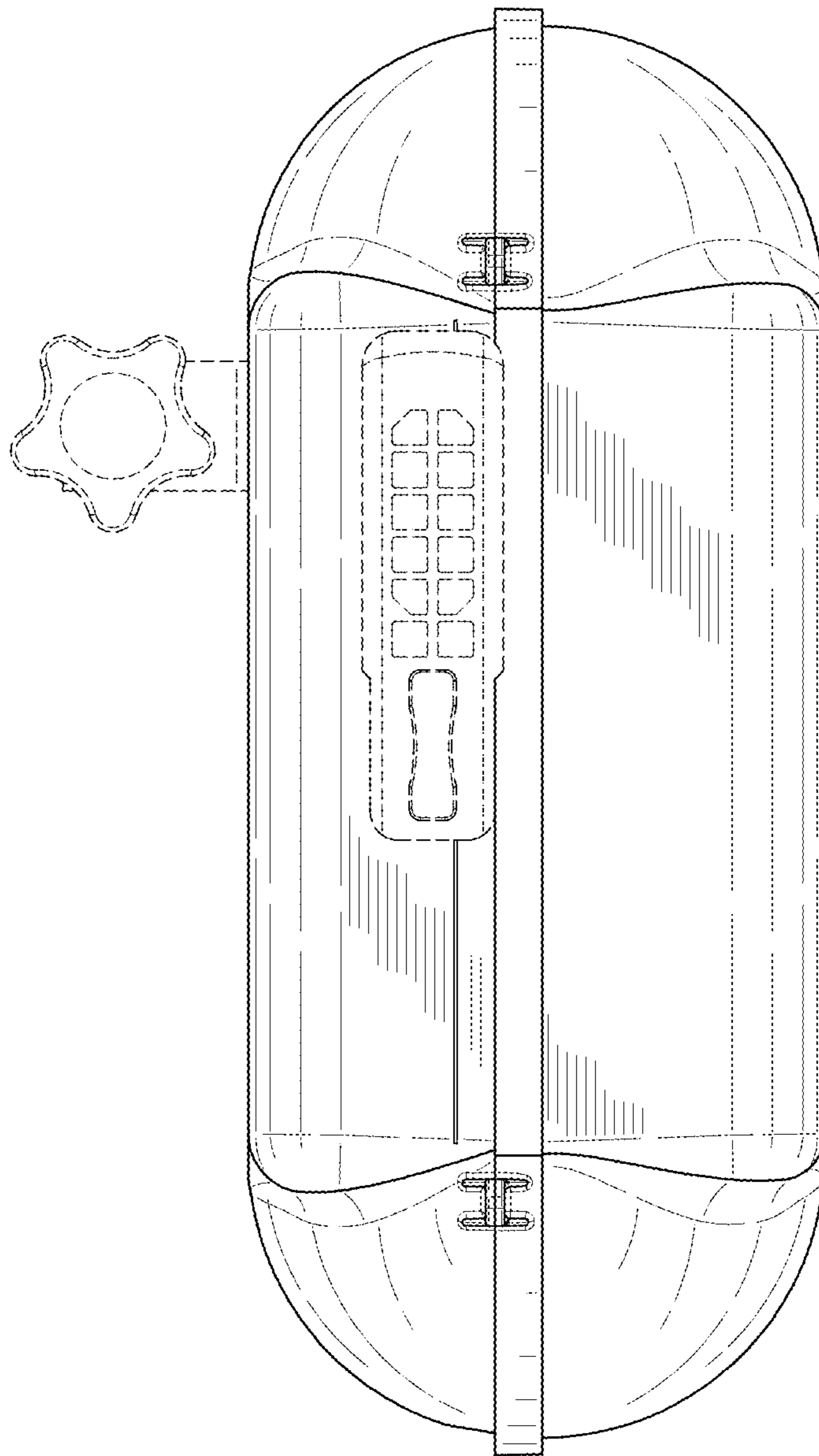


FIG. 5

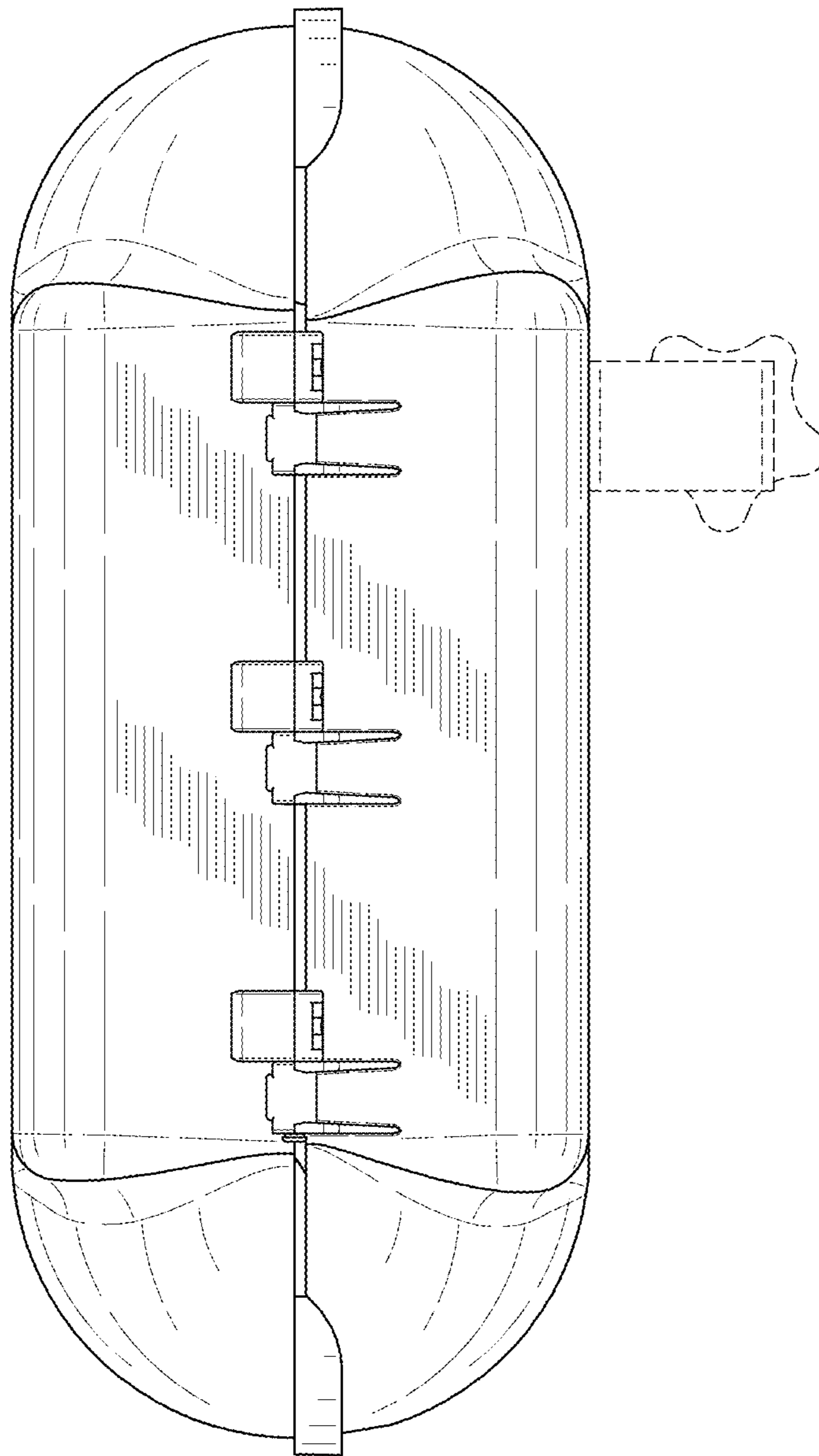


FIG. 6

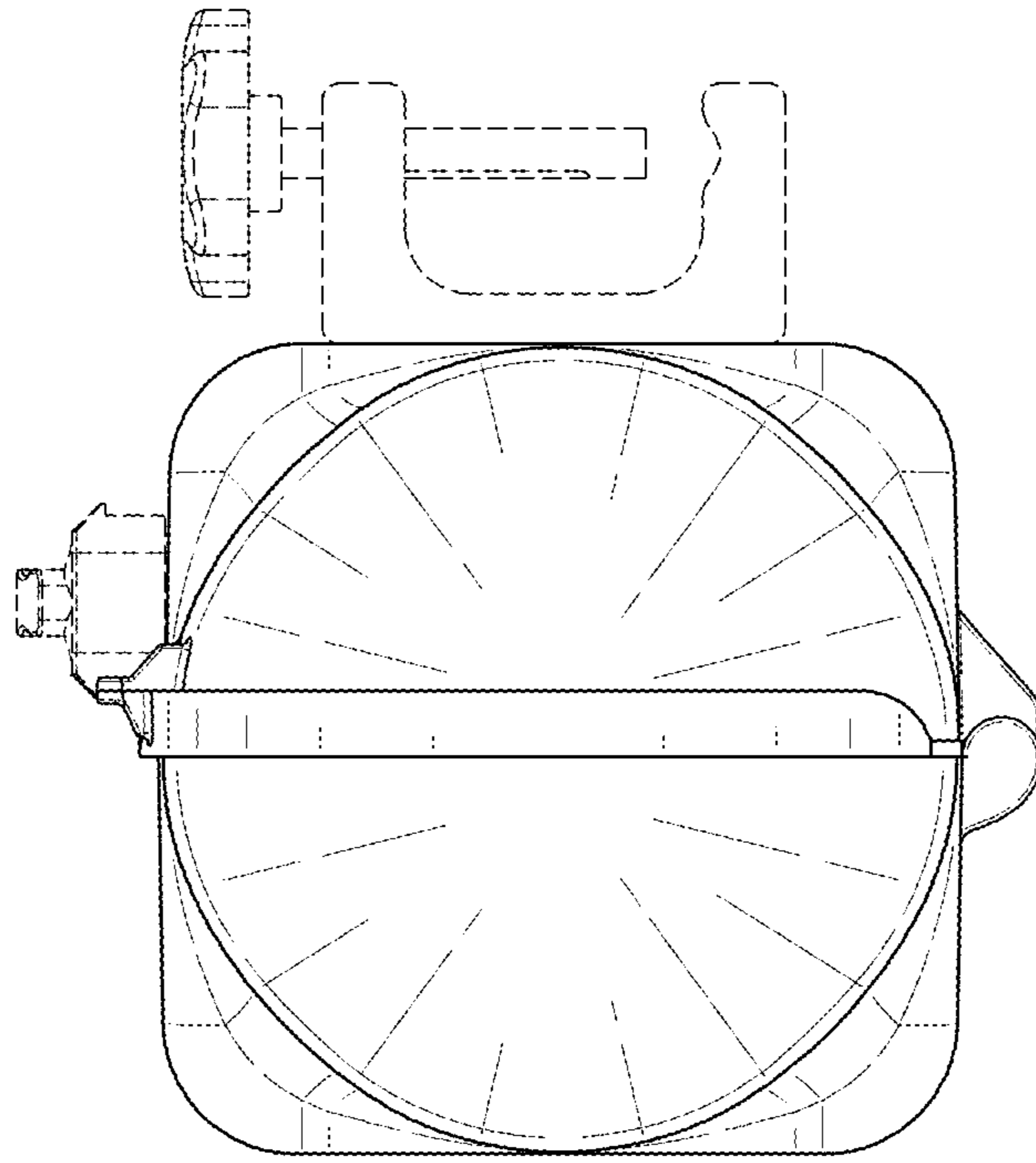


FIG. 7

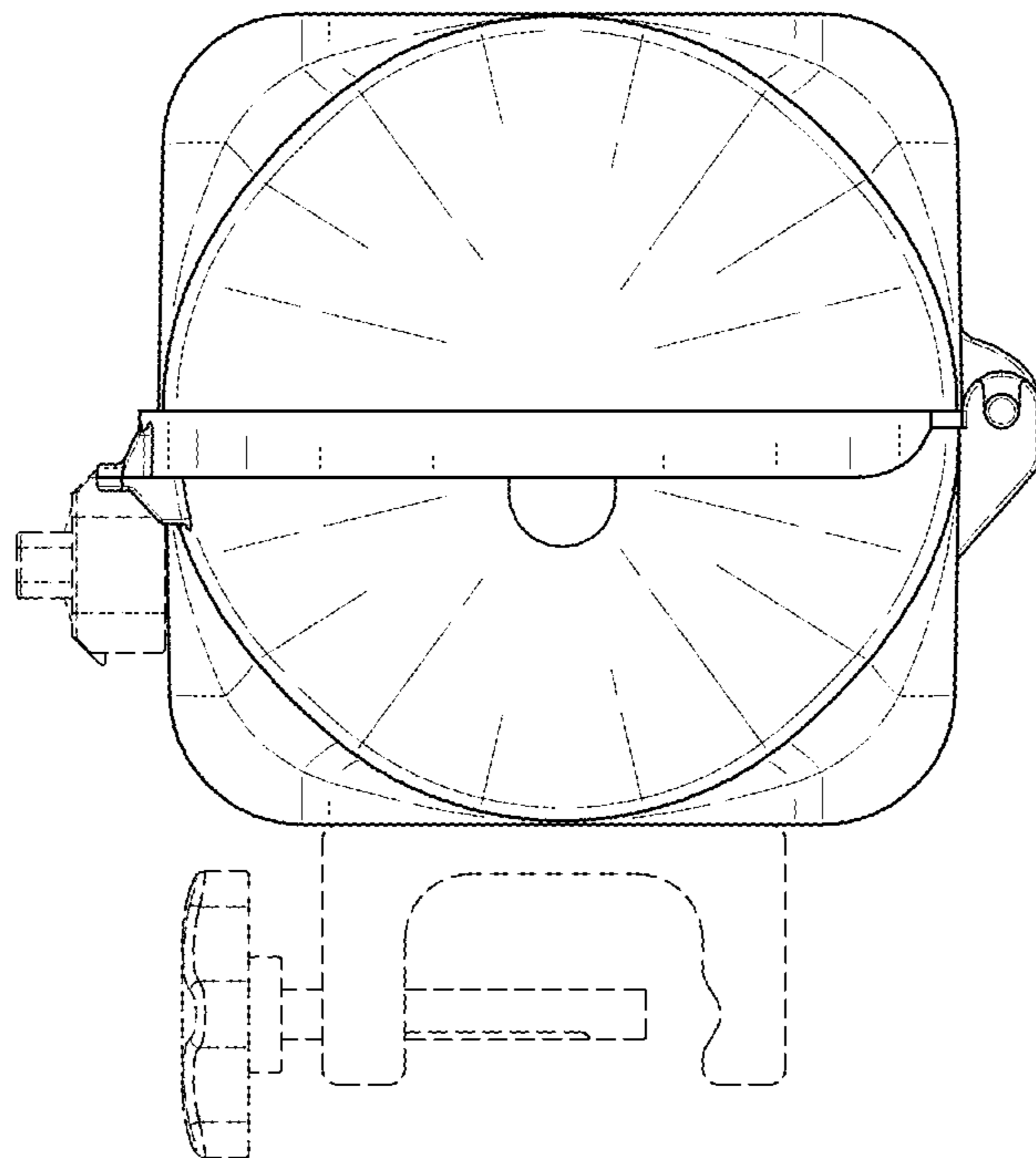


FIG. 8