



US00D948709S

(12) **United States Design Patent** (10) **Patent No.:** **US D948,709 S**
Zhang (45) **Date of Patent:** **** Apr. 12, 2022**

(54) **BIDET**
 (71) Applicant: **Xiaobin Zhang**, Xiamen (CN)
 (72) Inventor: **Xiaobin Zhang**, Xiamen (CN)

(**) Term: **15 Years**
 (21) Appl. No.: **29/739,698**

(22) Filed: **Jun. 29, 2020**
 (51) **LOC (13) Cl.** **24-04**
 (52) **U.S. Cl.**
 USPC **D24/121**
 (58) **Field of Classification Search**
 USPC D24/108, 133, 127, 197, 121-122, 141,
 D24/207, 217, 119, 112; D23/295-303,
 D23/213; D9/447, 549
 CPC A61M 3/00; A61M 3/0262; A61M 3/025
 See application file for complete search history.

(56) **References Cited**

U.S. PATENT DOCUMENTS

D118,457 S *	1/1940	Smith et al.	D24/207
D121,601 S *	7/1940	Smith	D24/207
3,275,509 A *	9/1966	Rowan	A61K 9/0031
			514/63
D490,894 S *	6/2004	Bogazzi	D24/133
D869,644 S *	12/2019	Partsch, IV	D24/112
10,518,022 B1 *	12/2019	Walker	A61M 3/0262
D872,262 S *	1/2020	Buell	D24/141
D872,852 S *	1/2020	Mechor	D24/108
D875,244 S *	2/2020	Wainberg	D24/130
D878,574 S *	3/2020	Malin	D24/121
D895,107 S *	9/2020	Zhang	D24/121
D896,368 S *	9/2020	Zhang	D24/121
D903,862 S *	12/2020	Zhang	D24/119
10,905,292 B2 *	2/2021	DeBlasi	A46B 9/025
2005/0187526 A1 *	8/2005	Horne	A47K 7/08
			604/279

2011/0087172 A1 *	4/2011	Gunderson	A61M 31/00
			604/181
2017/0007759 A1 *	1/2017	Castropil Logarzo	
			A61M 3/0262
2020/0215257 A1 *	7/2020	Hagen	A61M 3/0262

FOREIGN PATENT DOCUMENTS

CN	304975709	*	1/2019
EM	008025449-0001	*	7/2020
EM	008025449-0002	*	7/2020

OTHER PUBLICATIONS

LS-Enema Bulb Syringe, Enema Cleanser& Vaginal Douche, liaoshan life, Amazon, [Post Date: Jun. 6, 2017], [Site seen Jan. 5, 2022], Seen at URL: https://www.amazon.com/LS-Enema-Cleanser-Capacity-Personal-GYNECOLOGICAL/dp/B075MWVS56/ref=sr_1_56_sspa?crid=2JO0ANGGTBLRE&%E2%80%A6 (Year: 2017).*

(Continued)

Primary Examiner — Natasha Vujcic
Assistant Examiner — Gilbert B Ford

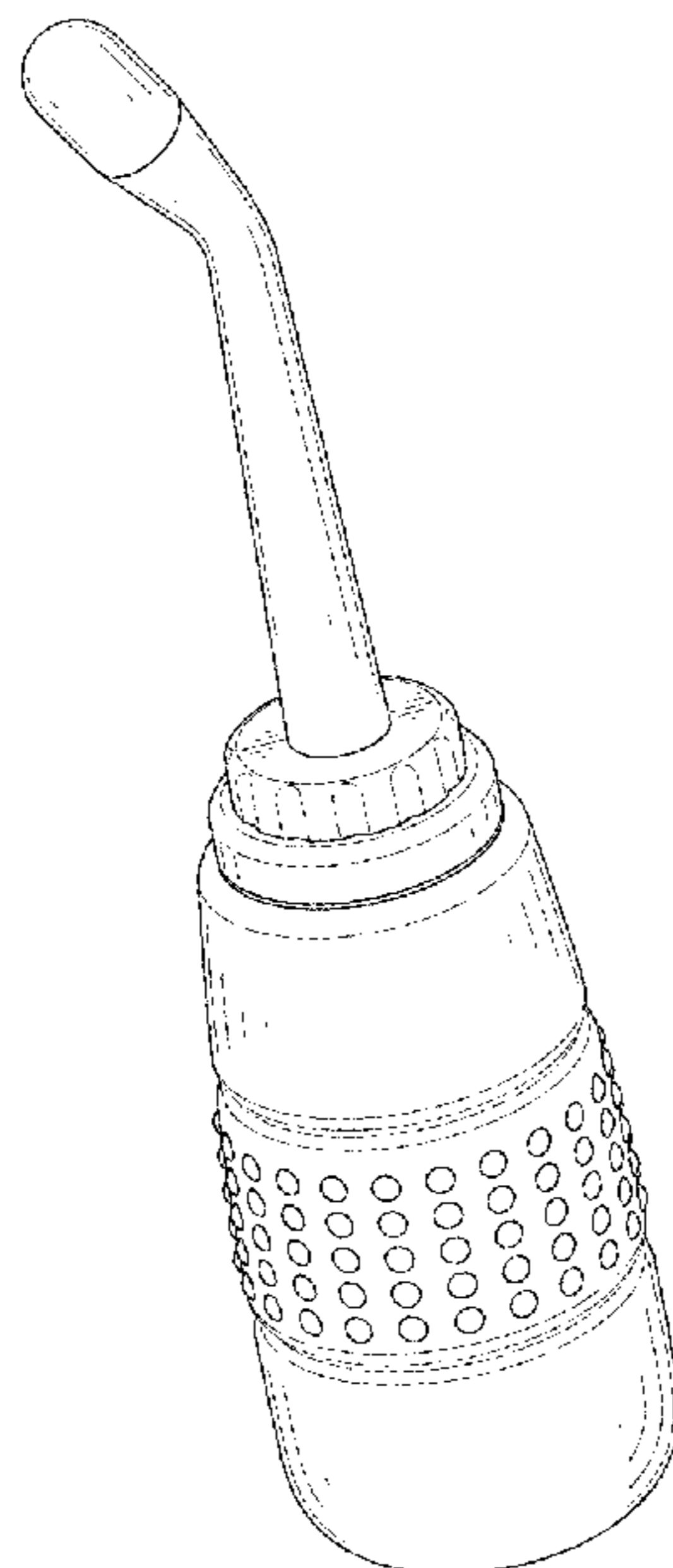
(57) **CLAIM**

The ornamental design for a bidet, as shown and described.

DESCRIPTION

FIG. 1 is a first perspective view of a bidet showing my new design;
 FIG. 2 is a second perspective view thereof;
 FIG. 3 is a front view thereof;
 FIG. 4 is a back view thereof;
 FIG. 5 is a left side view thereof;
 FIG. 6 is a right side view thereof;
 FIG. 7 is a top view thereof;
 FIG. 8 is a bottom view thereof; and,
 FIG. 9 is an exploded perspective view of a bidet thereof.
 The broken lines in the drawings illustrate portions of the bidet which forms no part of the claimed design.

1 Claim, 9 Drawing Sheets



(56)

References Cited

OTHER PUBLICATIONS

Enema Bulb Clean Anal Vaginal Silicone Douche for Men Women, EVEROVE, Amazon, [Postdate: Aug. 25, 2016], [Site seen on Jan. 5, 2022], Seen at URL: <https://www.amazon.com/Enema-Clean-Vaginal-Silicone-Douche/dp/B01KZI2IXS> (Year: 2016).*

* cited by examiner

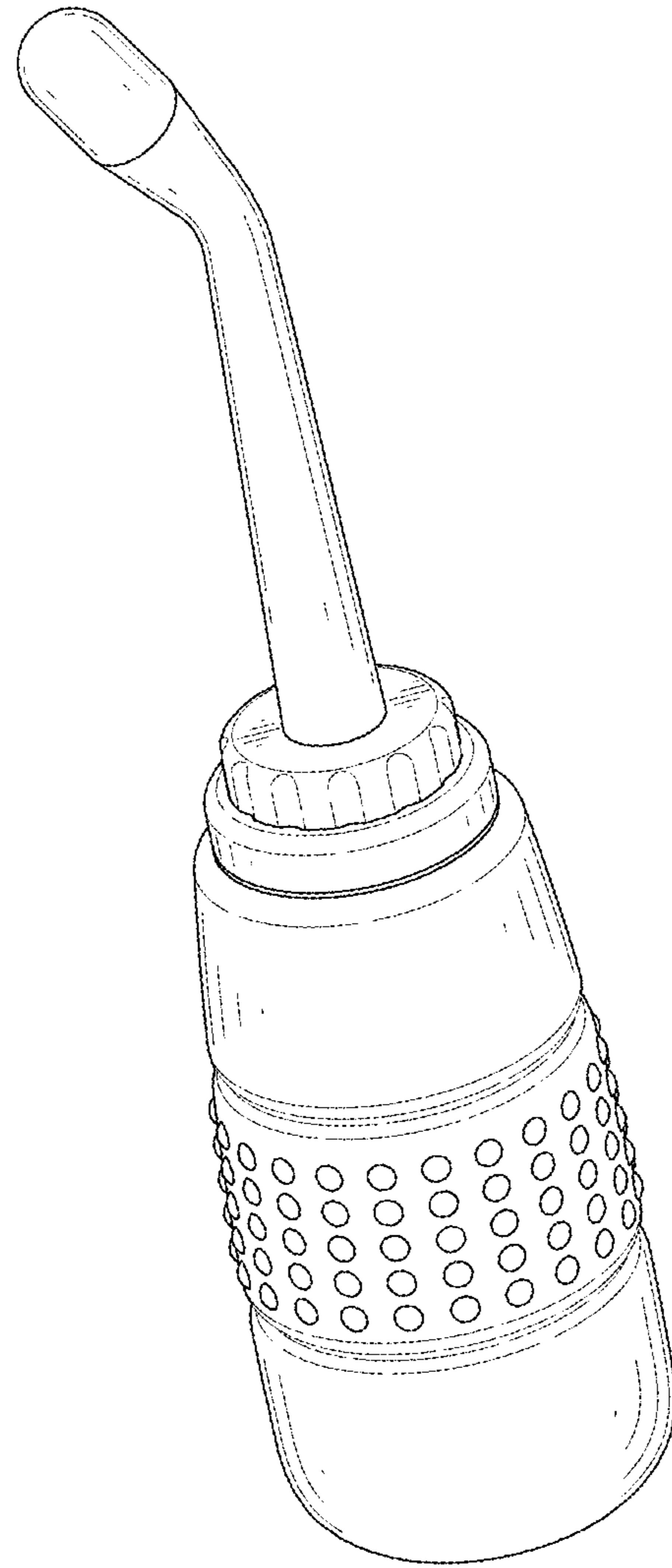


FIG. 1

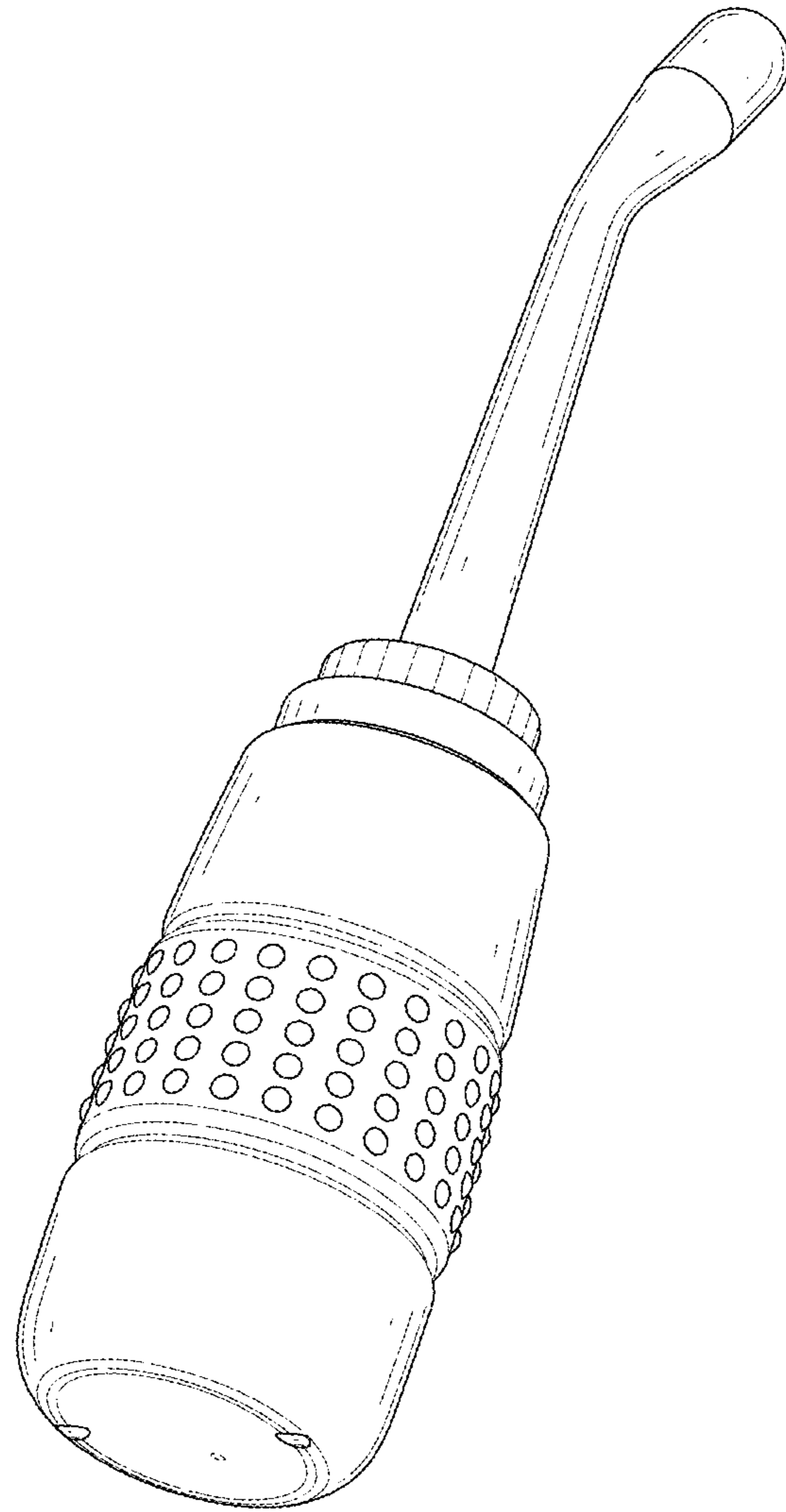


FIG. 2

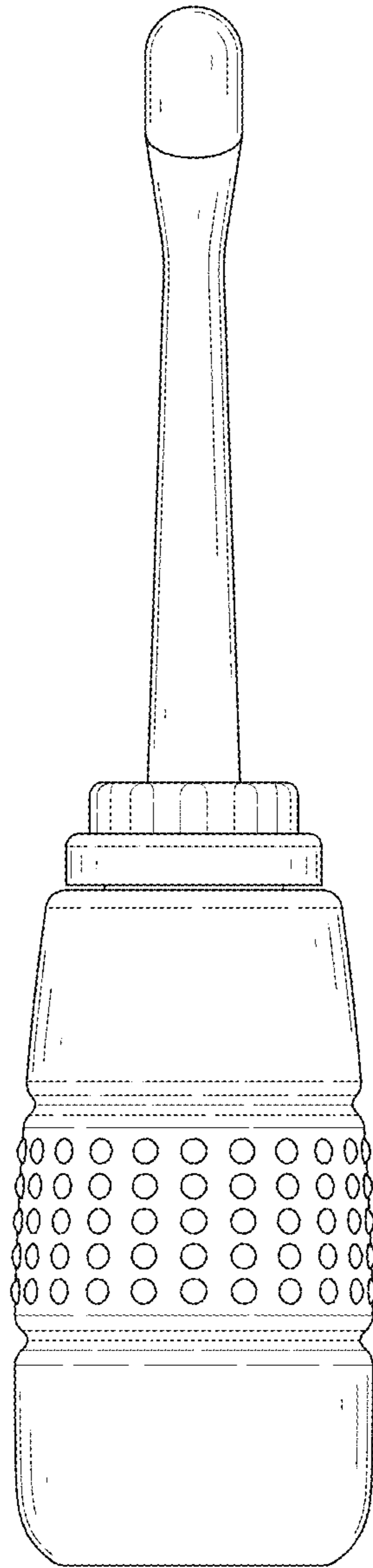


FIG. 3

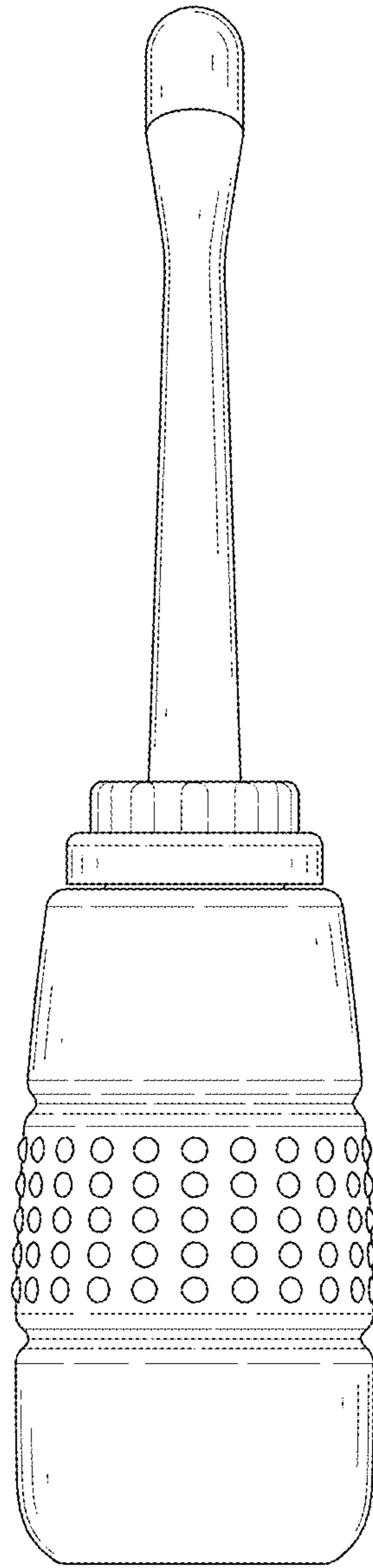


FIG. 4

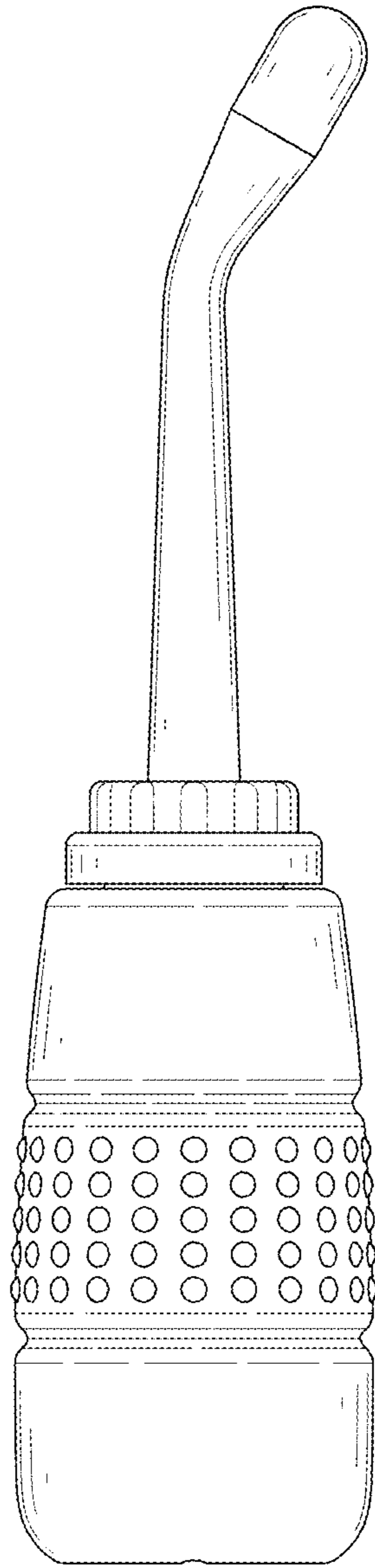


FIG. 5

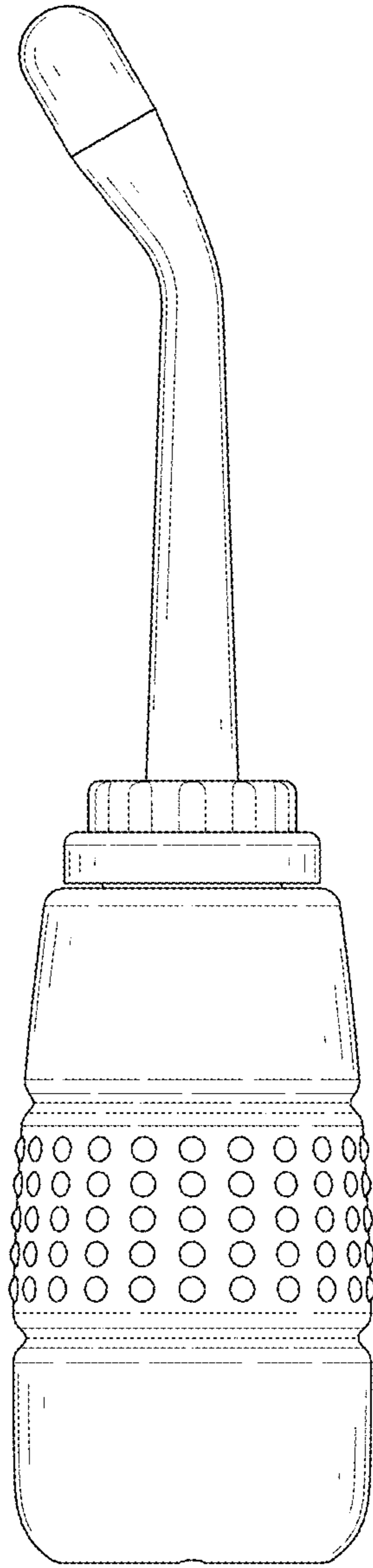


FIG. 6

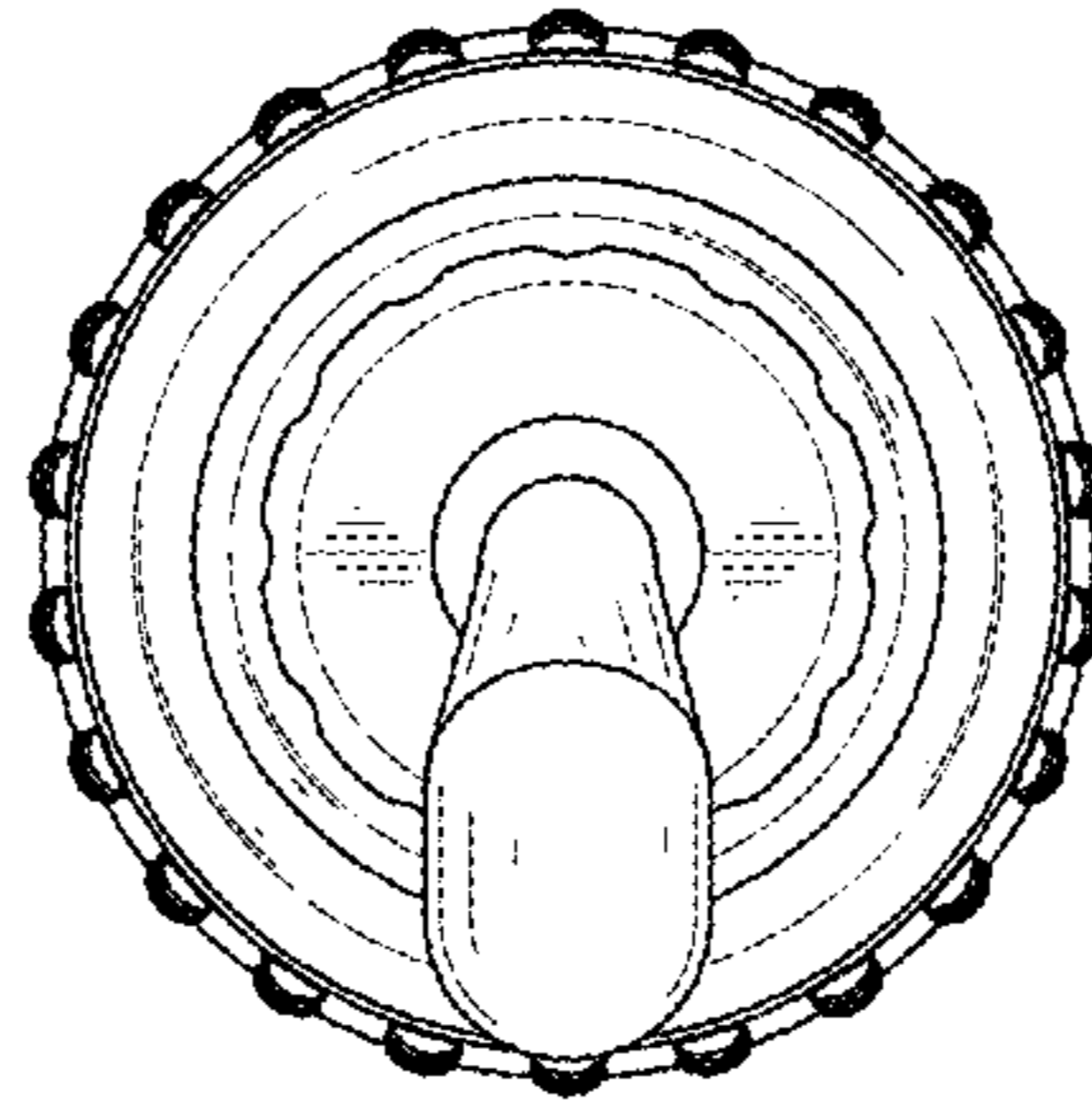


FIG. 7

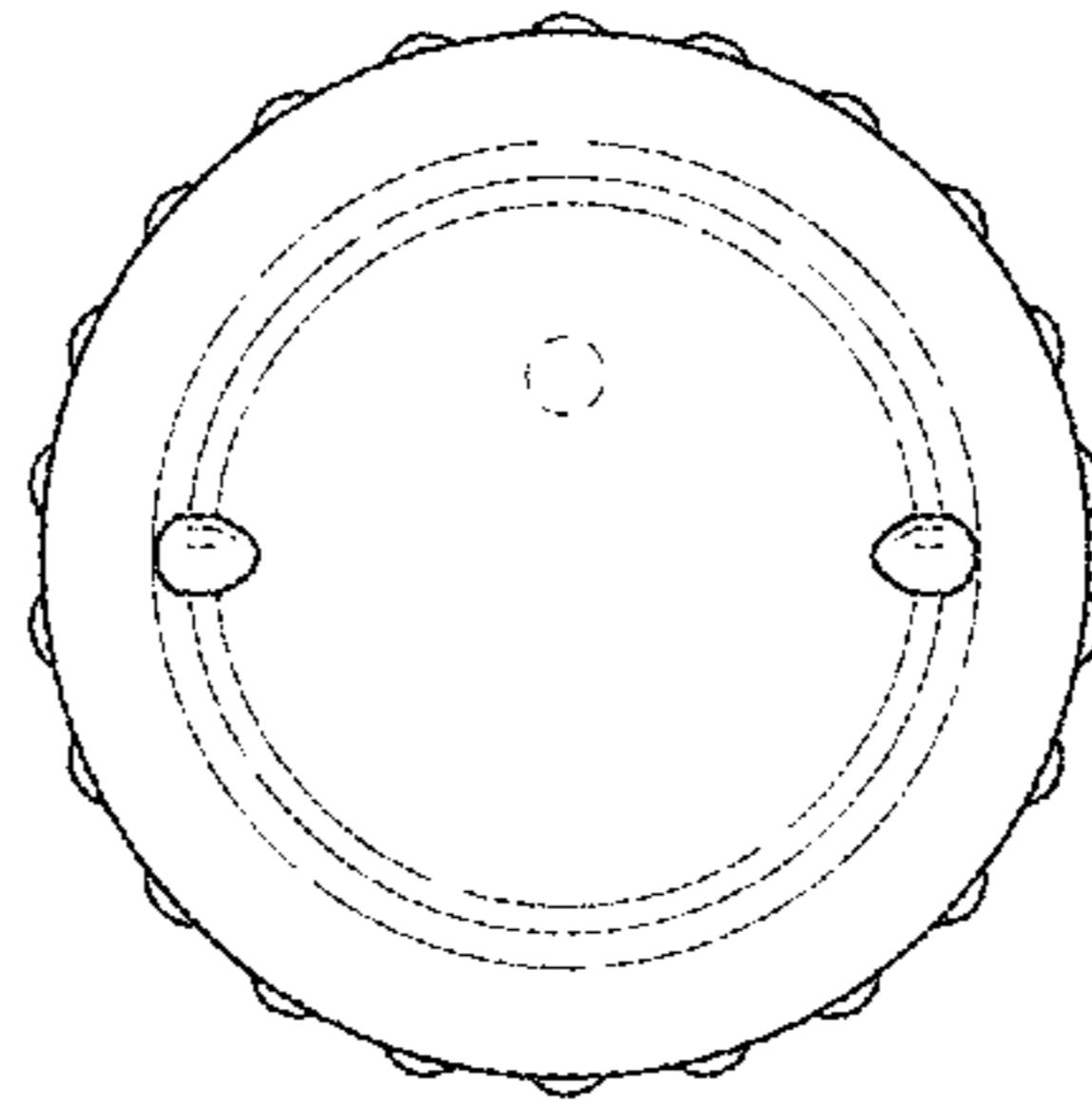


FIG. 8

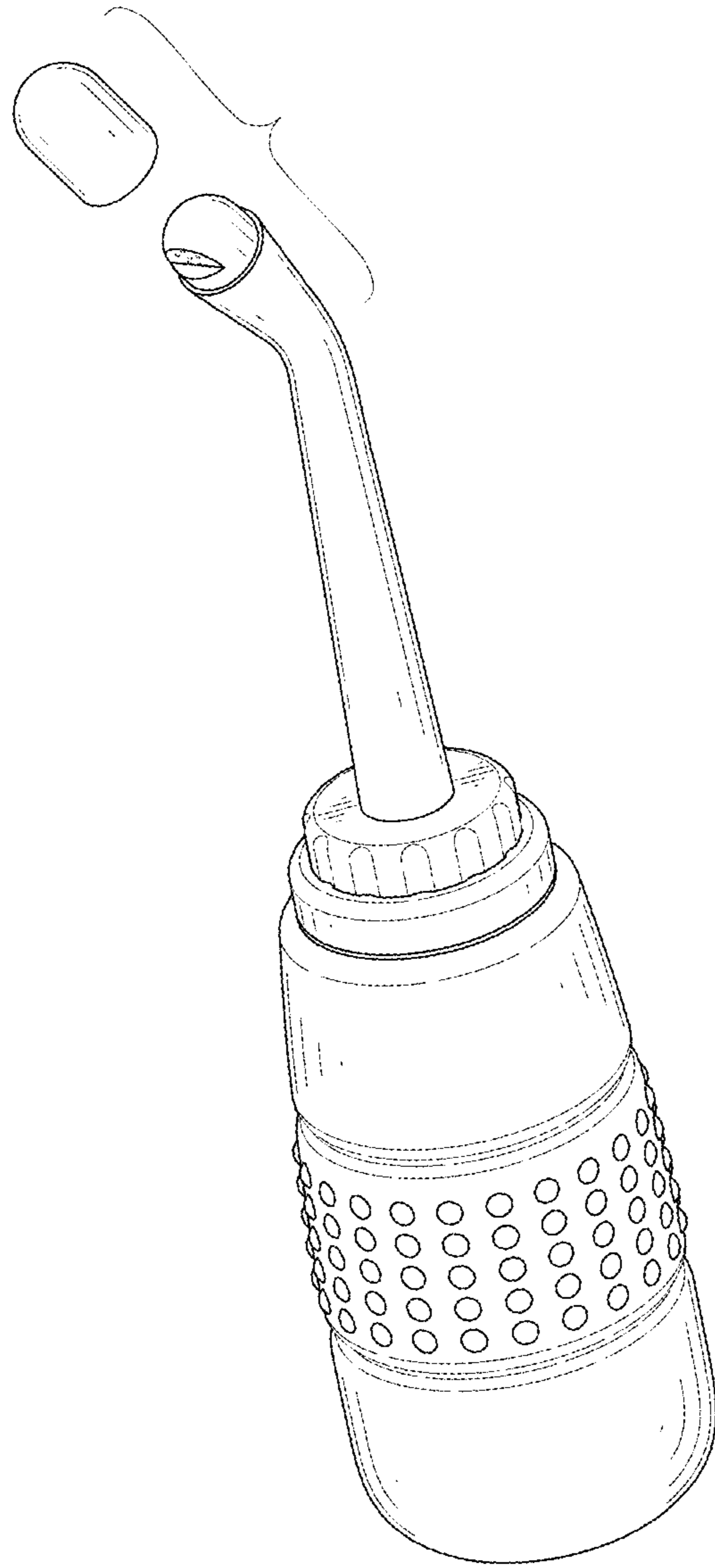


FIG. 9