



US00D948706S

(12) **United States Design Patent**
Karidis

(10) **Patent No.:** **US D948,706 S**

(45) **Date of Patent:** **** Apr. 12, 2022**

(54) **MASK**

(71) Applicant: **Perry Karidis**, Simi Valley, CA (US)

(72) Inventor: **Perry Karidis**, Simi Valley, CA (US)

(**) Term: **15 Years**

(21) Appl. No.: **29/737,164**

(22) Filed: **Jun. 5, 2020**

(51) **LOC (13) Cl.** **29-02**

(52) **U.S. Cl.**
USPC **D24/110.1**; D29/108

(58) **Field of Classification Search**
USPC D24/110, 110.1-106; D29/108
CPC . A41D 13/11; A41D 13/1107; A41D 13/1115;
A41D 13/1123; A41D 13/113; A41D
13/1138; A41D 13/1146; A41D 13/1153;
A41D 13/1161; A41D 13/1169; A41D
13/1176; A61M 16/06; A62B 18/00;
A62B 18/02; A62B 18/025; A62B 23/00
See application file for complete search history.

(56) **References Cited**

U.S. PATENT DOCUMENTS

- 4,974,605 A * 12/1990 Esqueda A61F 6/04
128/857
- D640,011 S * 6/2011 Teng D29/108
- D892,410 S * 8/2020 David D29/108
- D928,305 S * 8/2021 Holbrook D24/110.1
- D932,106 S * 9/2021 Zhao D29/108
- D942,613 S * 2/2022 Torbenson D24/110.1
- 2007/0050883 A1 * 3/2007 Matich A41D 13/0005
2/69
- 2012/0247474 A1 * 10/2012 Torbenson A62B 18/10
128/206.15
- 2015/0216241 A1 * 8/2015 Lee A41D 13/1192
128/863
- 2018/0280758 A1 * 10/2018 Tao A63B 21/0085

- 2020/0298032 A1 * 9/2020 Torbenson A62B 18/084
- 2021/0392966 A1 * 12/2021 Nguyen A41B 3/00
- 2022/0008761 A1 * 1/2022 Adams A62B 18/08

FOREIGN PATENT DOCUMENTS

EM 007950316-0002 * 9/2020

OTHER PUBLICATIONS

Amazon 3 Pack (available [online] Jul. 13, 2020) Retrieved from the internet Feb. 11, 2022 from URL: <https://www.amazon.com/3-Pack-Masker-Aid-Reversible-Breathable/dp/B08KWQJ3K8/> (Year: 2020).*
Base Camp (available [online] Apr. 16, 2020) Retrieved from the internet Feb. 11, 2022 from URL: <https://www.amazon.com/BASE-CAMP-Woodworking-Construction-Non-medical/dp/B087PHMDYB/> (Year: 2020).*

* cited by examiner

Primary Examiner — Richard Kearney
Assistant Examiner — Michael Hoffman
(74) *Attorney, Agent, or Firm* — Eric Hanscom

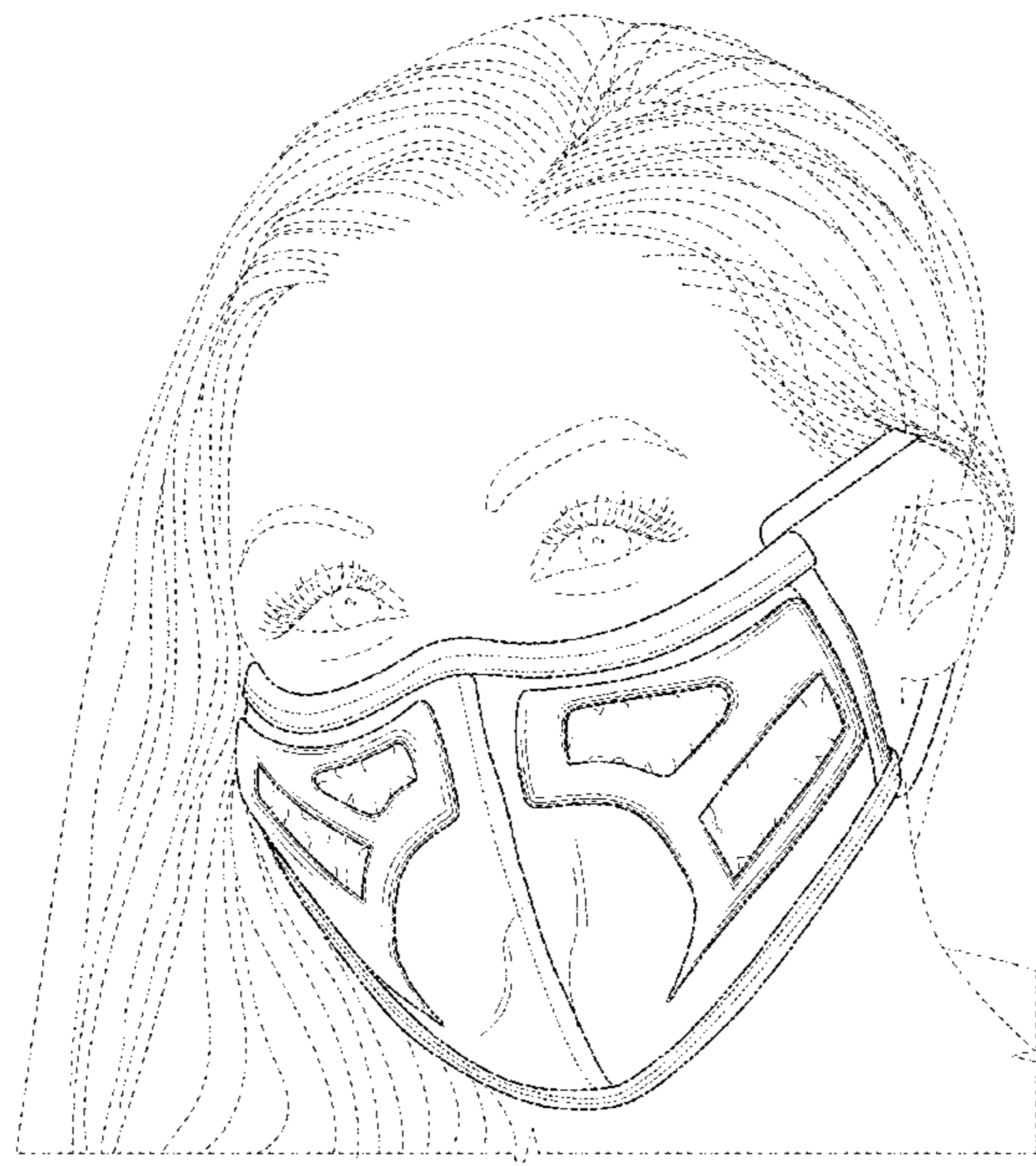
(57) **CLAIM**

The ornamental design for a mask, as shown and described.

DESCRIPTION

FIG. 1 is a perspective view of a mask showing my new design in a condition of use;
FIG. 2 is a front view thereof;
FIG. 3 is a back view thereof;
FIG. 4 is a left-side view thereof;
FIG. 5 is a right-side view thereof;
FIG. 6 is a top view thereof; and,
FIG. 7 is a bottom view thereof.
The broken lines shown in the drawings are included for the purpose of illustrating environmental structure and form no part of the claimed design.

1 Claim, 7 Drawing Sheets



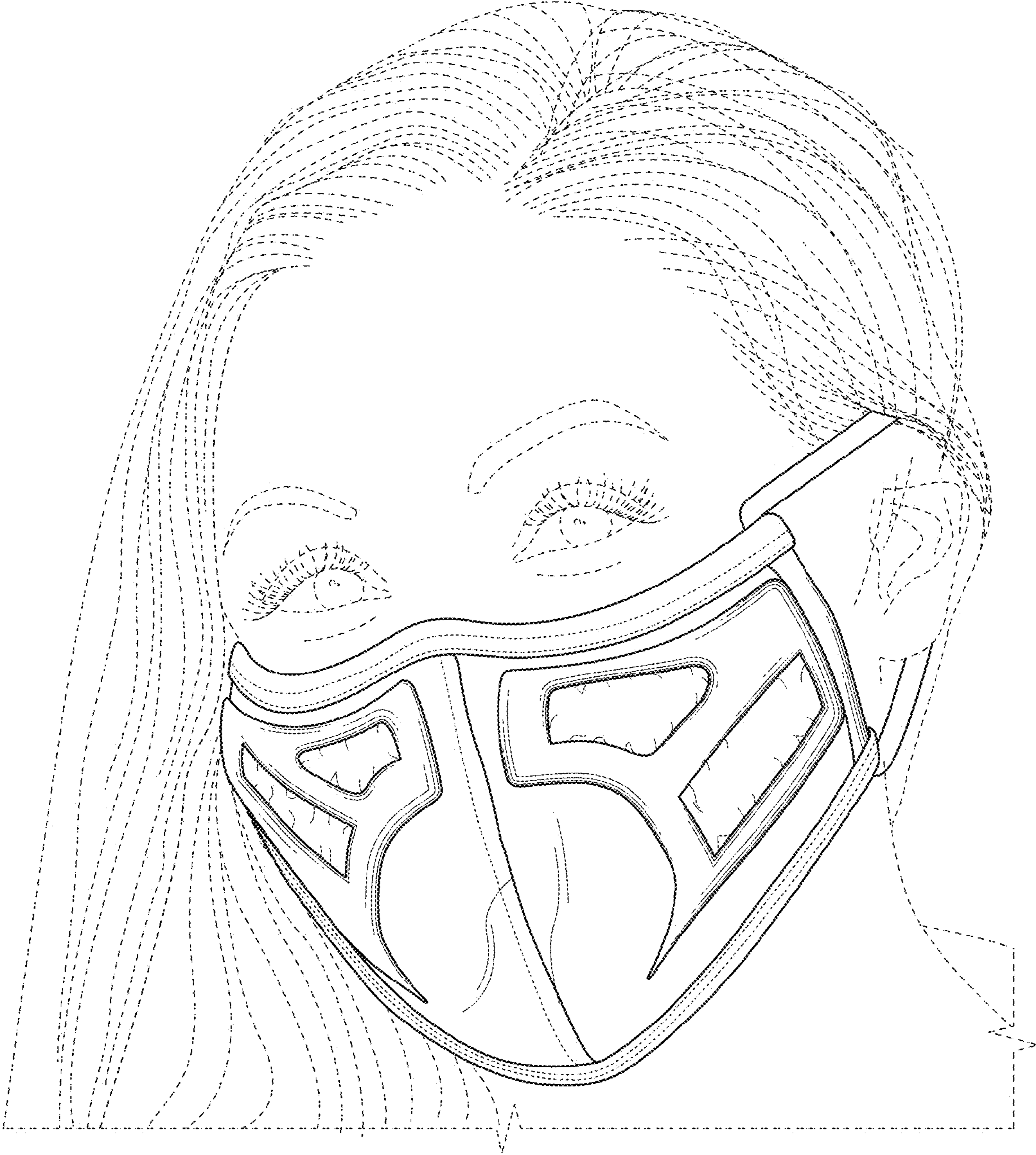


FIG. 1

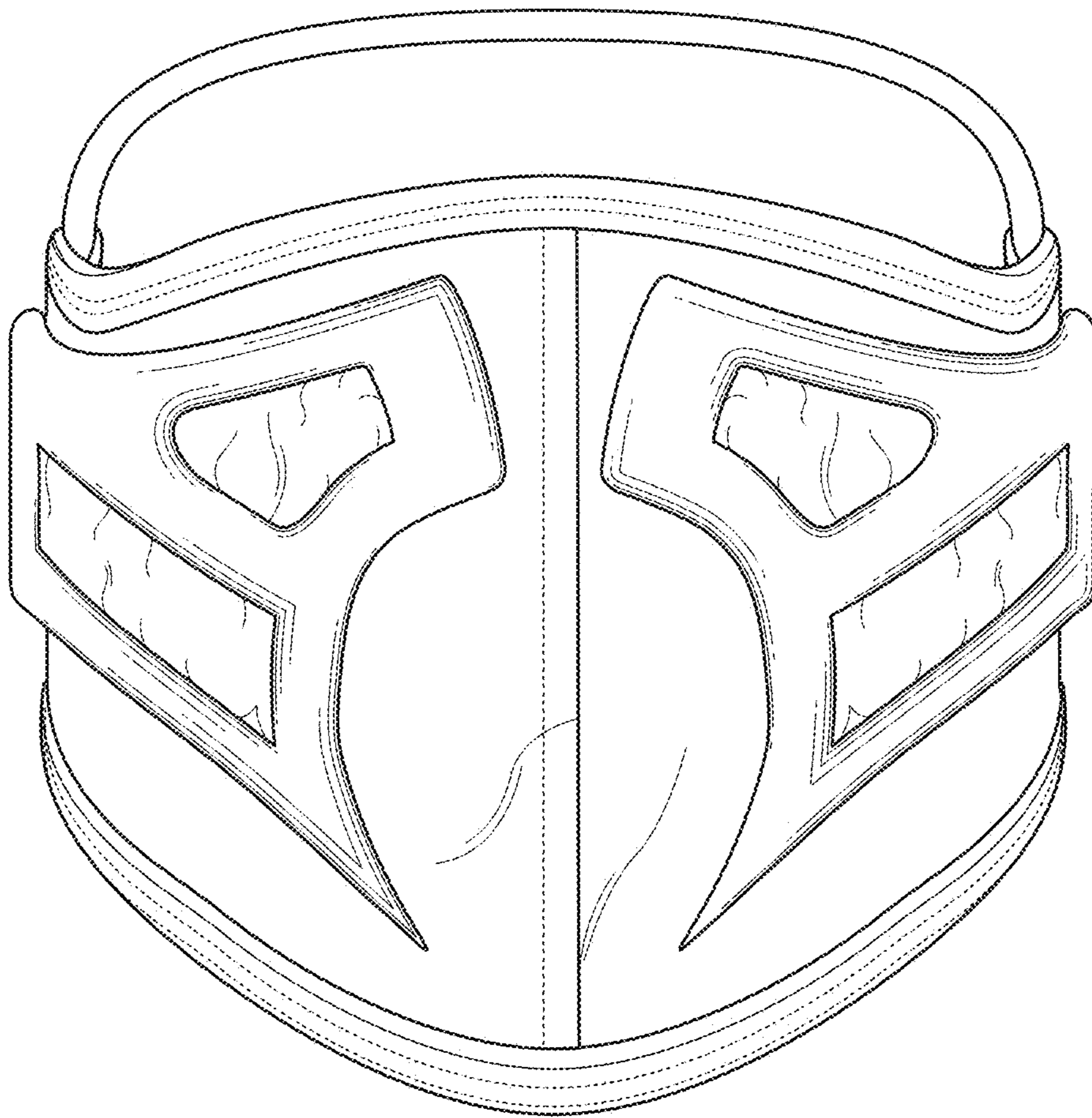


FIG. 2

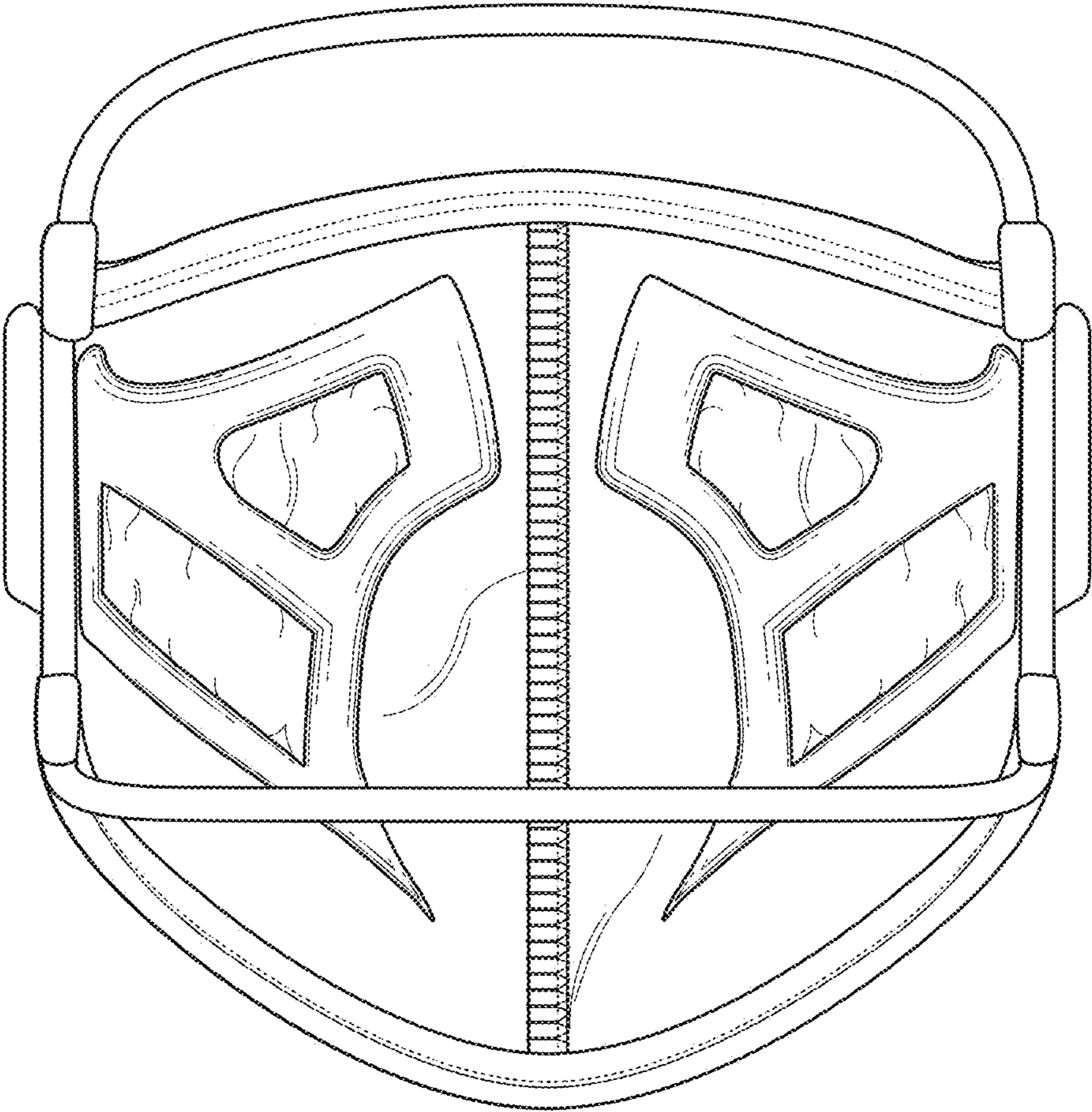


FIG. 3

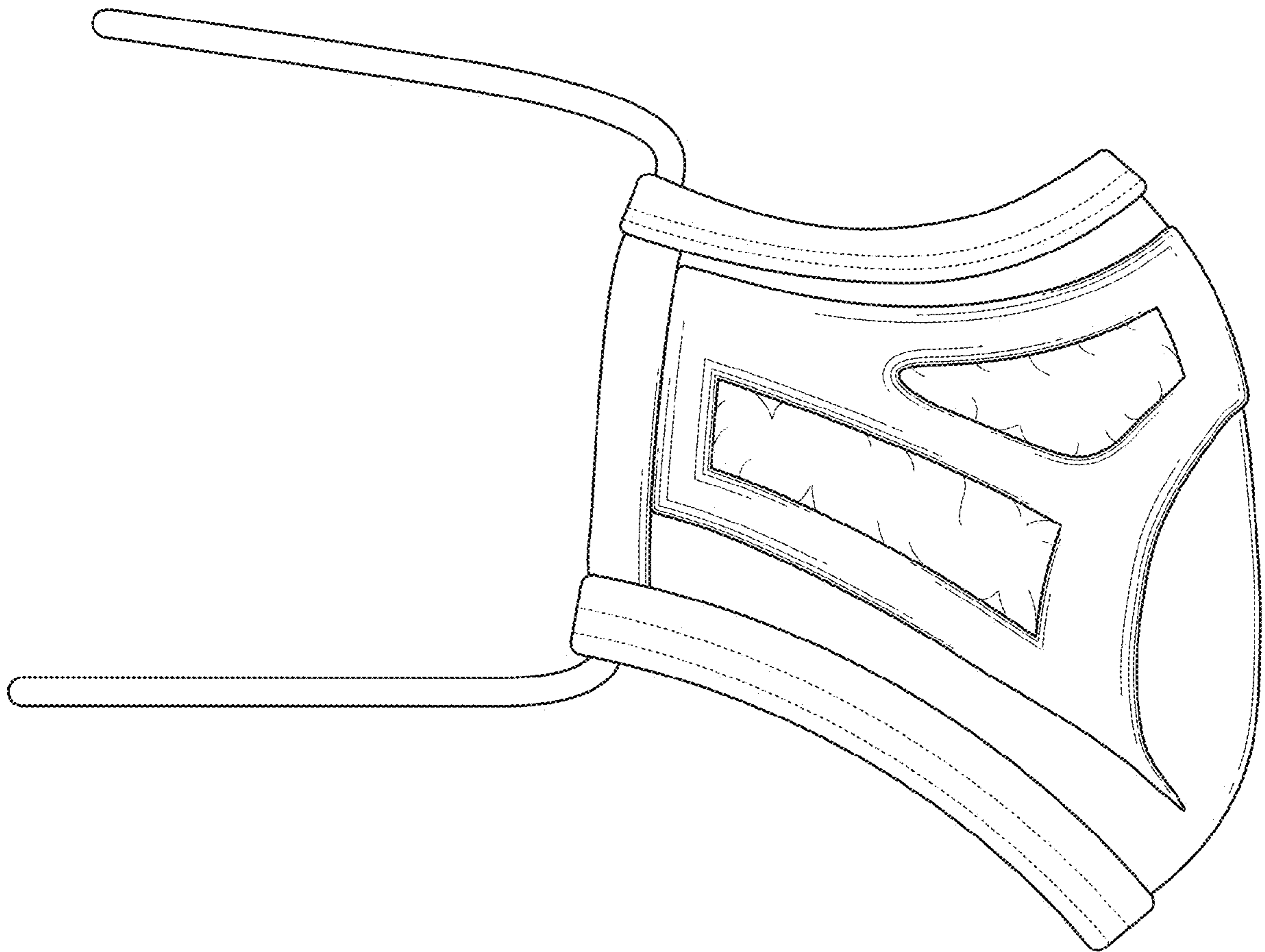


FIG. 4

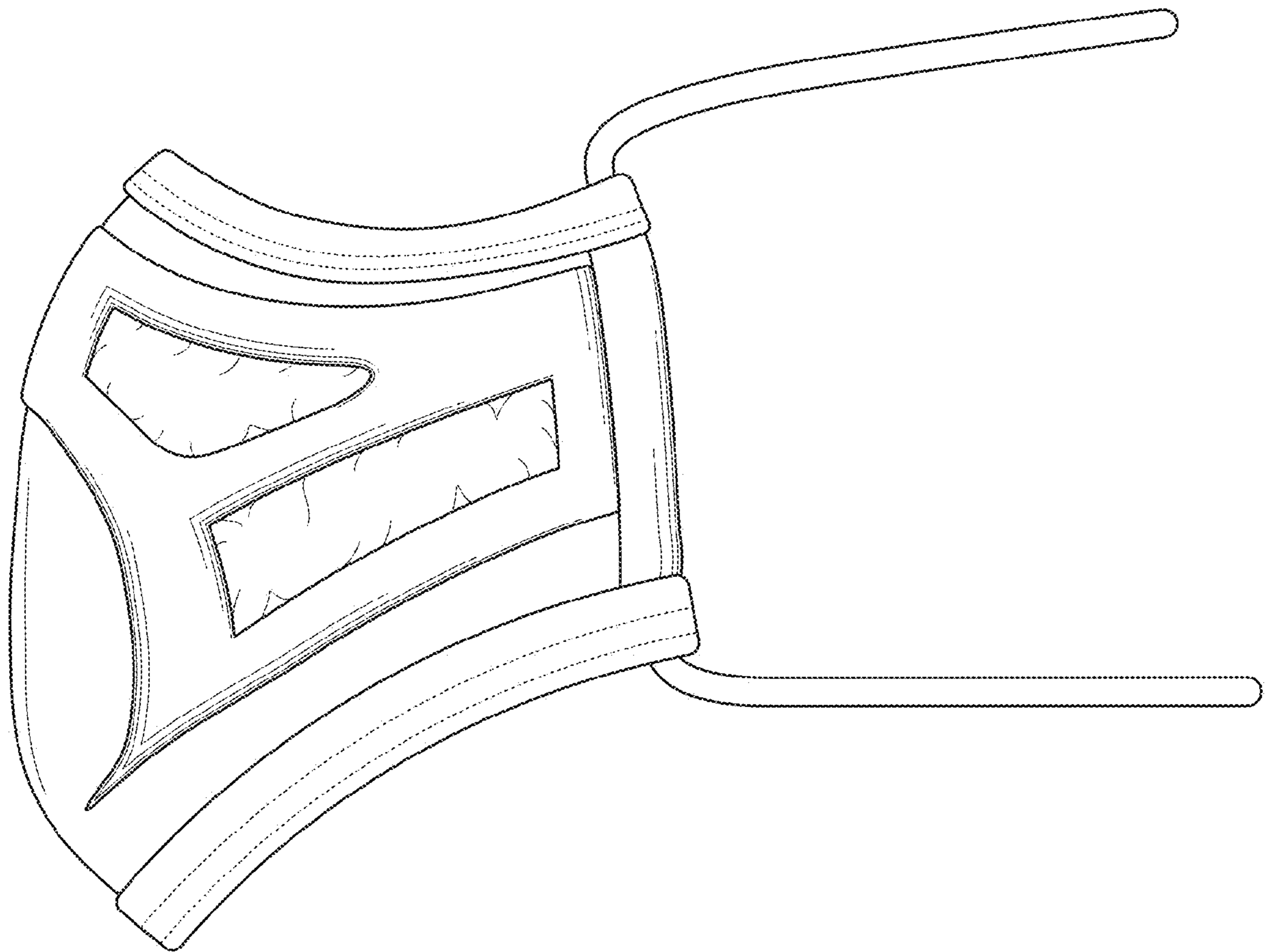


FIG. 5

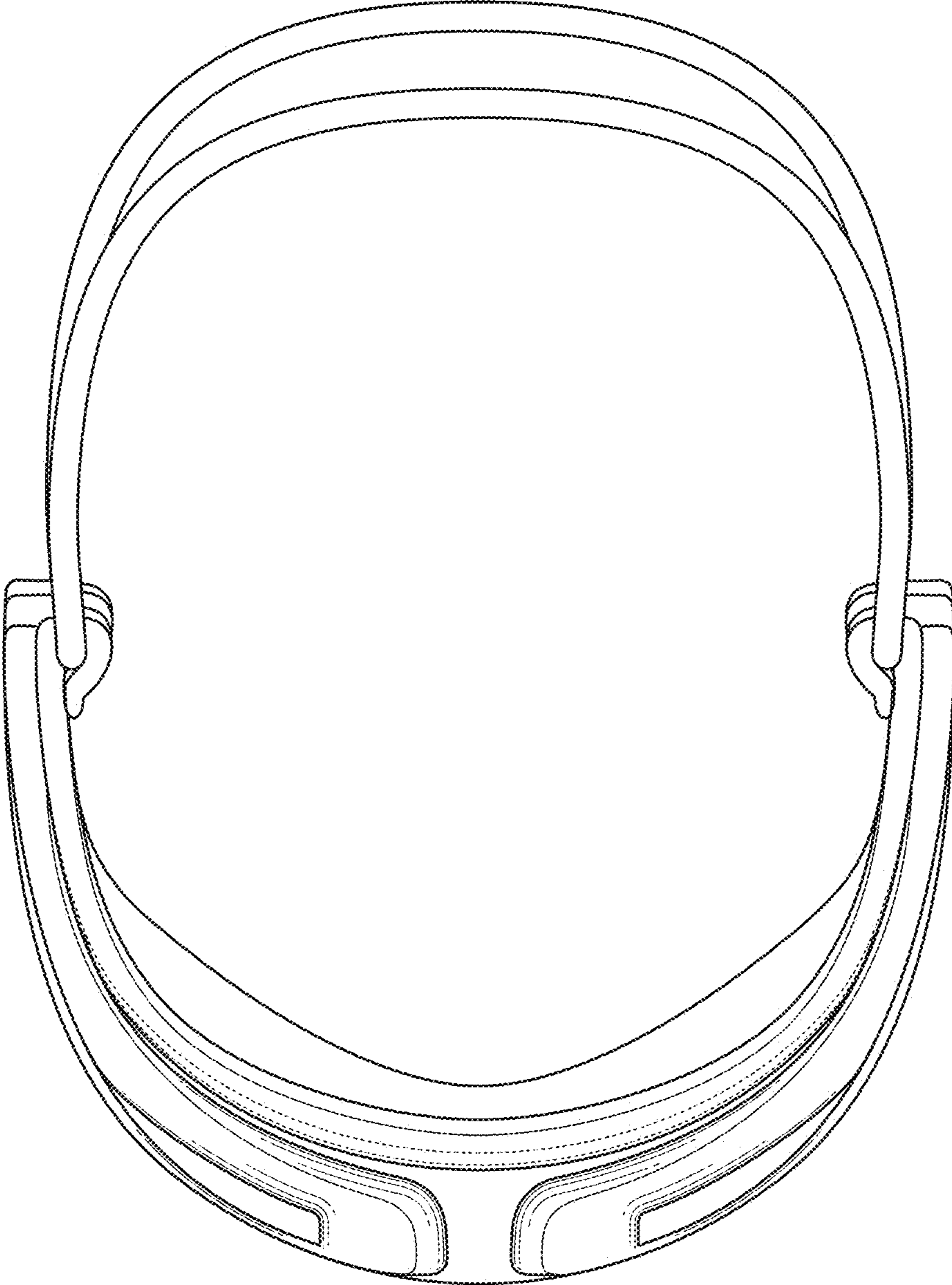


FIG. 6

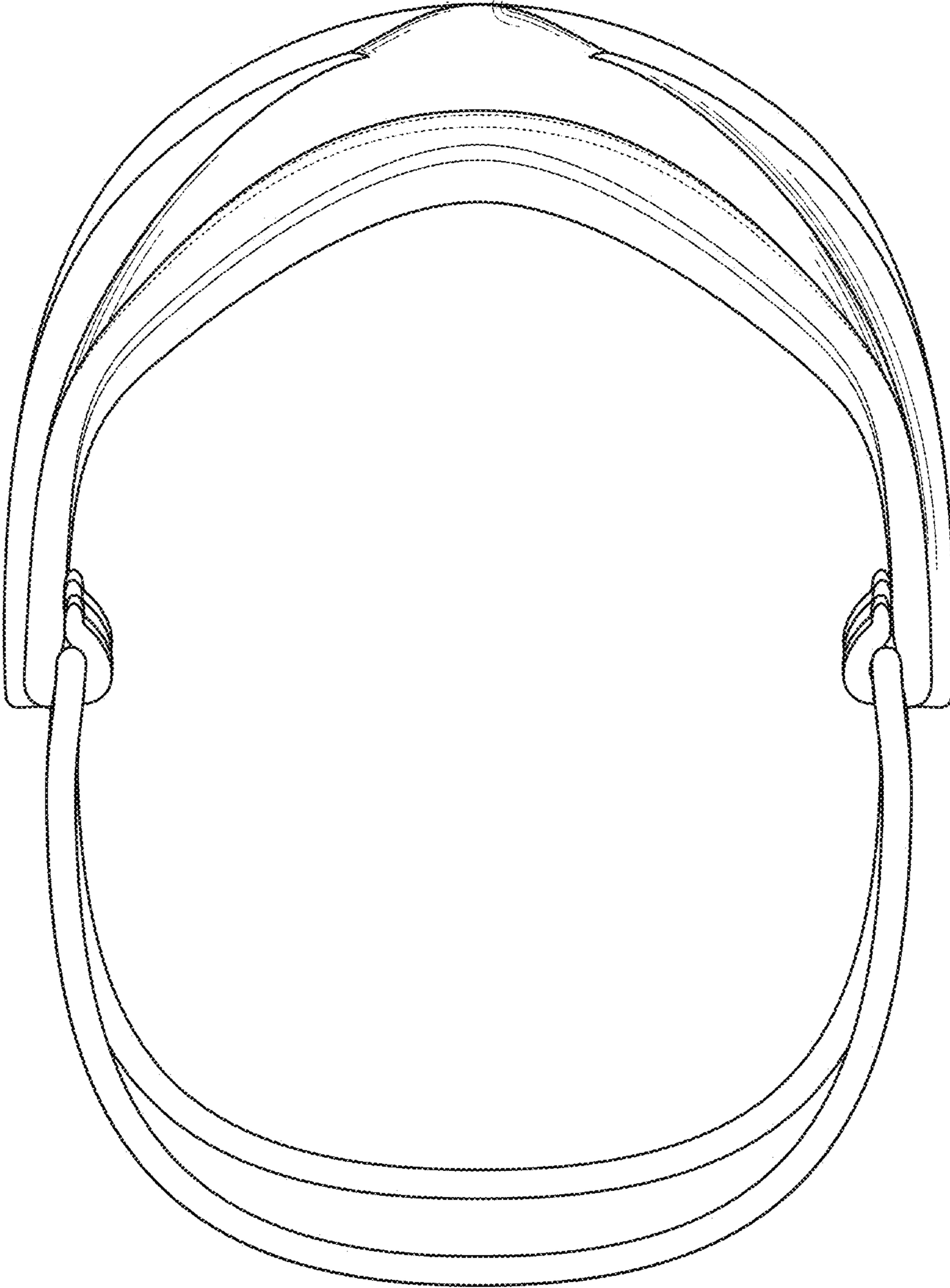


FIG. 7