

US00D948704S

(12) **United States Design Patent**
Dalvi et al.

(10) **Patent No.:** **US D948,704 S**
(45) **Date of Patent:** **** Apr. 12, 2022**

(54) **INHALER**

(71) Applicant: **Lupin Ltd.**, Maharashtra (IN)
(72) Inventors: **Mukul Dalvi**, Coral Springs, FL (US);
Imran Shaikh, Coral Springs, FL (US);
Xian-Ming Zeng, Coral Springs, FL (US);
Antonio Belton, Chicago, IL (US)

(73) Assignee: **LUPIN LTD.**, Maharashtra (IN)

(**) Term: **15 Years**

(21) Appl. No.: **29/699,563**

(22) Filed: **Jul. 26, 2019**

(51) **LOC (13) Cl.** **24-04**

(52) **U.S. Cl.**
USPC **D24/110**

(58) **Field of Classification Search**
USPC D24/110, 110.4–110.6, 108, 112, 129,
D24/164
CPC .. A61M 11/00; A61M 15/00; A61M 15/0025;
A61M 15/0026; A61M 15/0065; A61M
15/0068; A61M 15/007; A61M 15/0071;
A61M 15/0073; A61M 15/0075; A61M
15/0076; A61M 15/008; A61M 15/009;
A61M 2202/064

See application file for complete search history.

(56) **References Cited**

U.S. PATENT DOCUMENTS

D769,437 S * 10/2016 Walsh D24/110
D783,150 S * 4/2017 Cottam D24/110
D783,151 S * 4/2017 Cottam D24/110
D808,515 S * 1/2018 Atkin D24/110
D834,704 S * 11/2018 Atkin D24/110
11,110,234 B2 * 9/2021 Richardson A61M 15/002
2002/0073996 A1 * 6/2002 O’Leary A61M 15/0068
128/203.15
2006/0237009 A1 * 10/2006 Jones A61M 15/0093
128/203.15

(Continued)

FOREIGN PATENT DOCUMENTS

GB 9007514583-0004 * 1/2020
GB 9007514583-0005 * 1/2020

(Continued)

Primary Examiner — Eric L Goodman

Assistant Examiner — Lee D. Starr

(74) *Attorney, Agent, or Firm* — Katten Muchin
Rosenman LLP

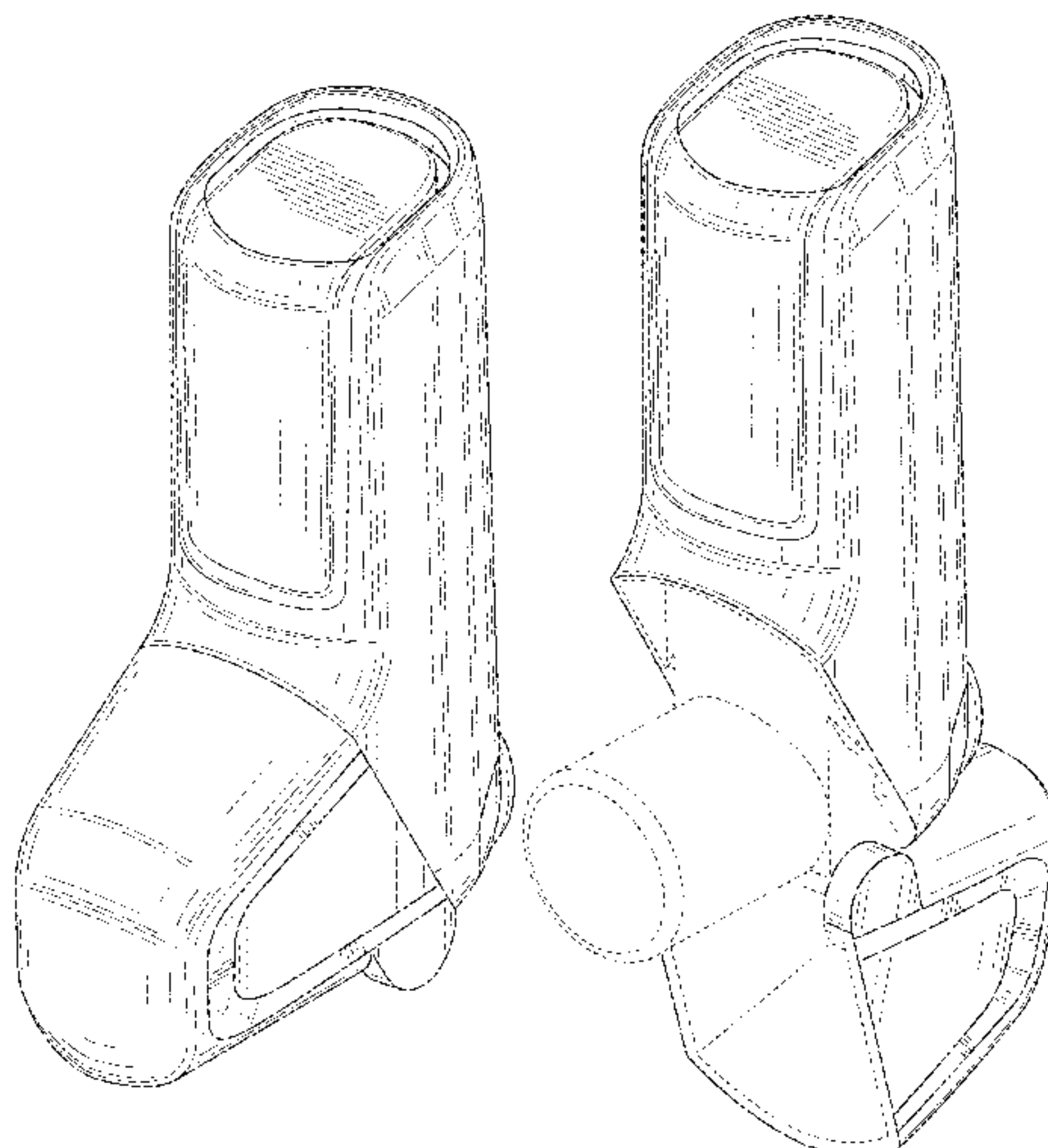
(57) **CLAIM**

We claim, the ornamental design for an inhaler, as shown and described.

DESCRIPTION

FIG. 1 is a left side perspective view of an inhaler, showing our new design;
FIG. 2 is a right side perspective view thereof;
FIG. 3 is a front view thereof;
FIG. 4 is a rear view thereof;
FIG. 5 is a left side view thereof;
FIG. 6 is a right side view thereof;
FIG. 7 is a top view thereof;
FIG. 8 is a bottom view thereof;
FIG. 9 is a left side perspective view thereof in an open configuration;
FIG. 10 is a right side perspective view thereof;
FIG. 11 is a front view thereof;
FIG. 12 is a rear view thereof;
FIG. 13 is a left side view thereof;
FIG. 14 is a right side view thereof;
FIG. 15 is a top view thereof; and,
FIG. 16 is a bottom view thereof.
Where portions shown in broken lines form no part of the claimed design.

1 Claim, 12 Drawing Sheets



(56)

References Cited

U.S. PATENT DOCUMENTS

2015/0099726 A1* 4/2015 Dalvi A61P 11/00
514/171
2016/0303336 A1* 10/2016 Arp A61M 15/0021
2019/0111221 A1* 4/2019 Richardson A61M 15/0095
2020/0046916 A1* 2/2020 May A61M 15/008

FOREIGN PATENT DOCUMENTS

GB 9007514583-0006 * 1/2020
GB 9007514583-0007 * 1/2020

* cited by examiner

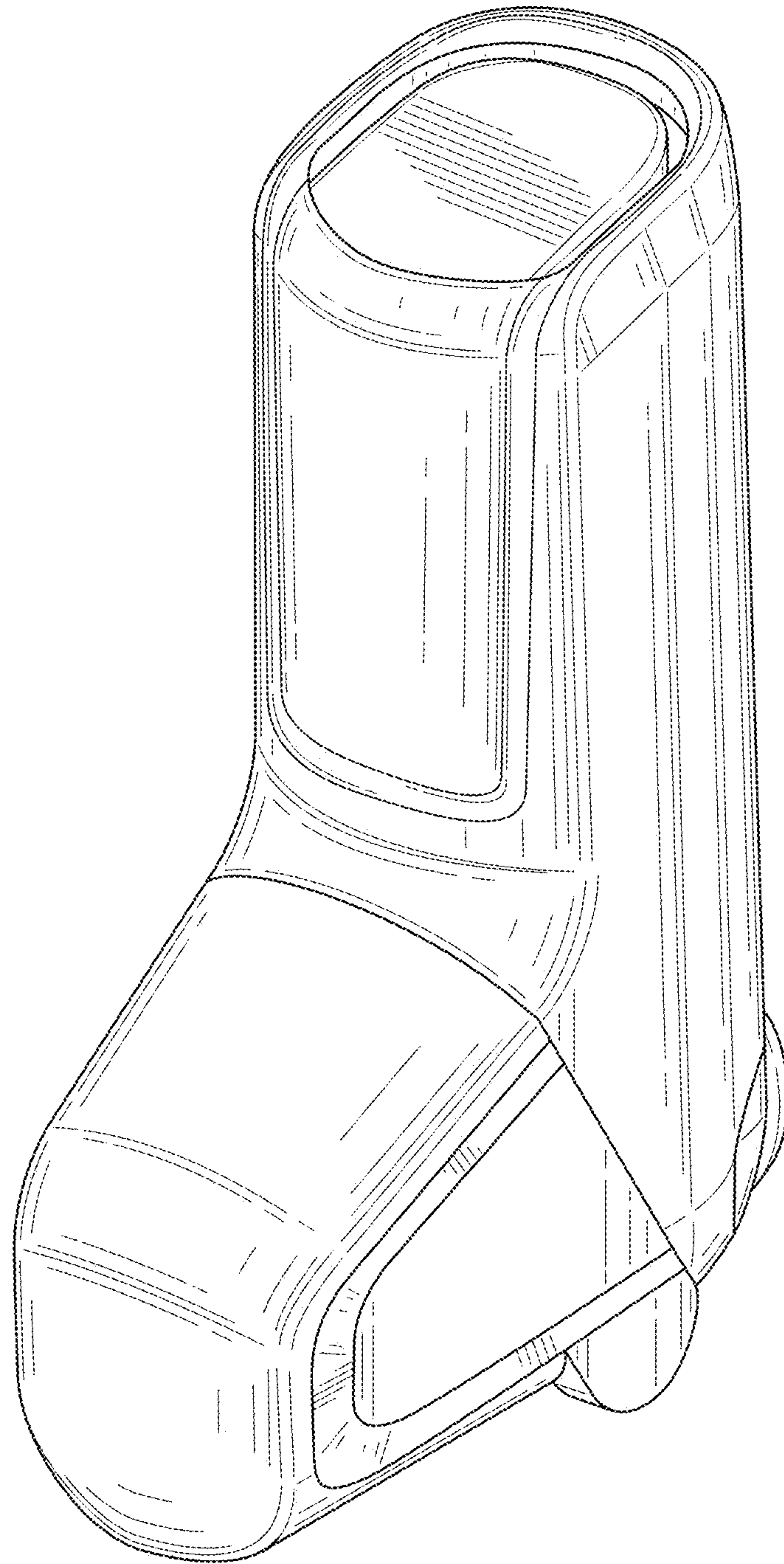


FIG 1

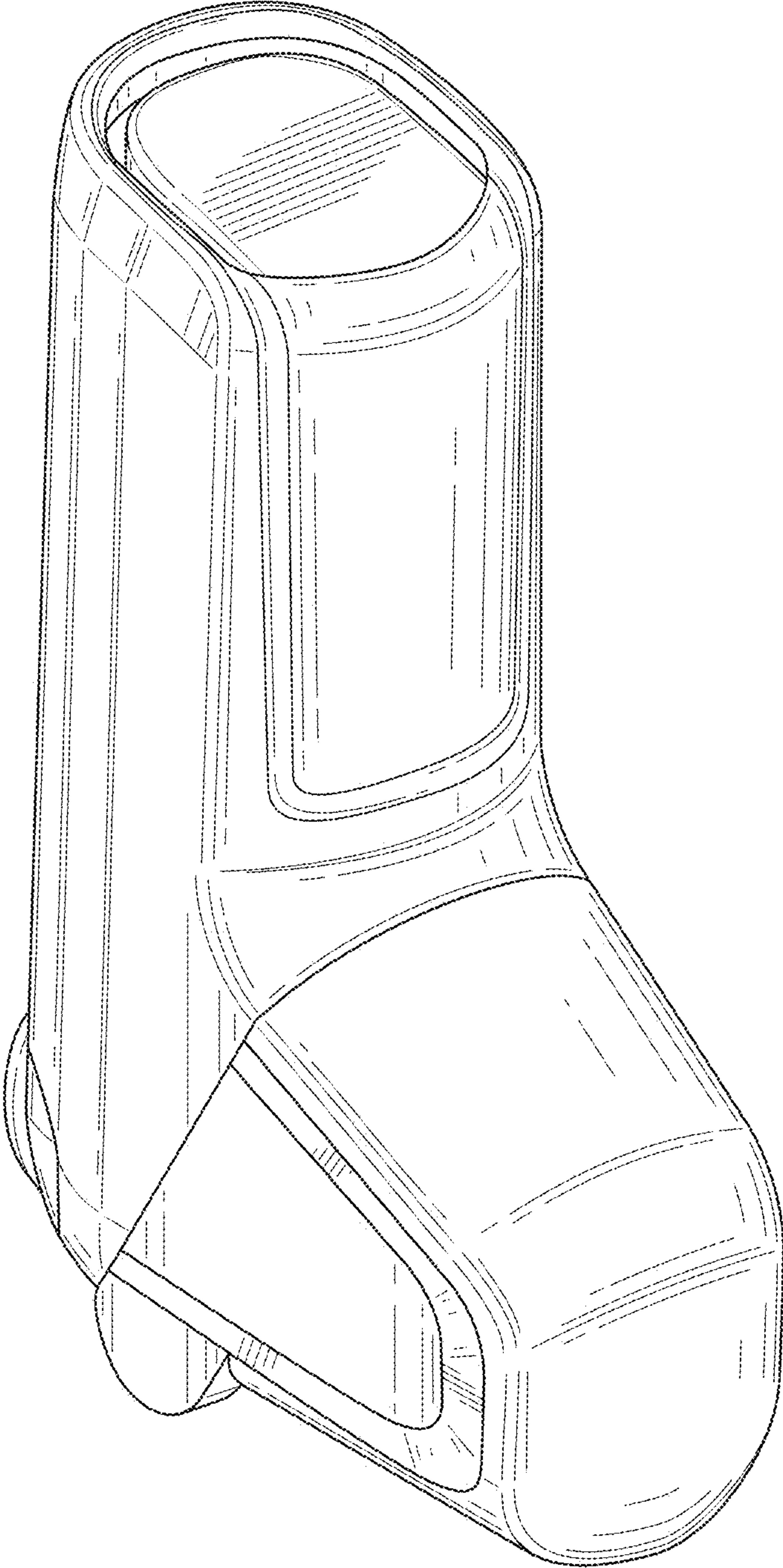


FIG 2

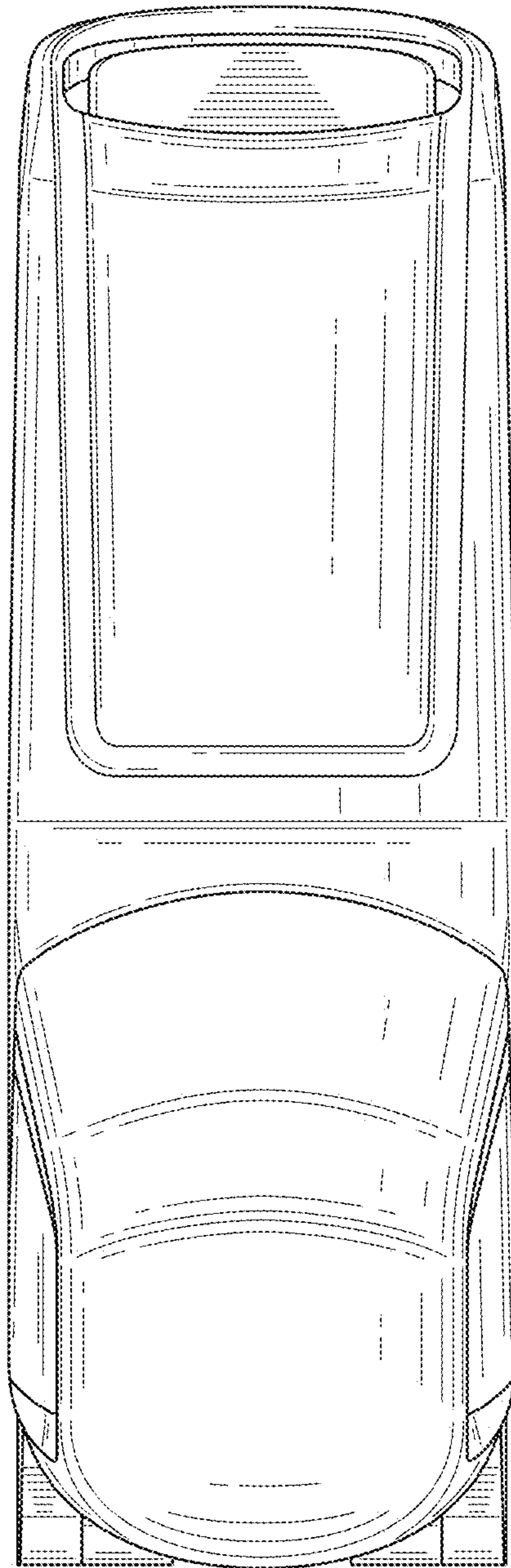


FIG 3

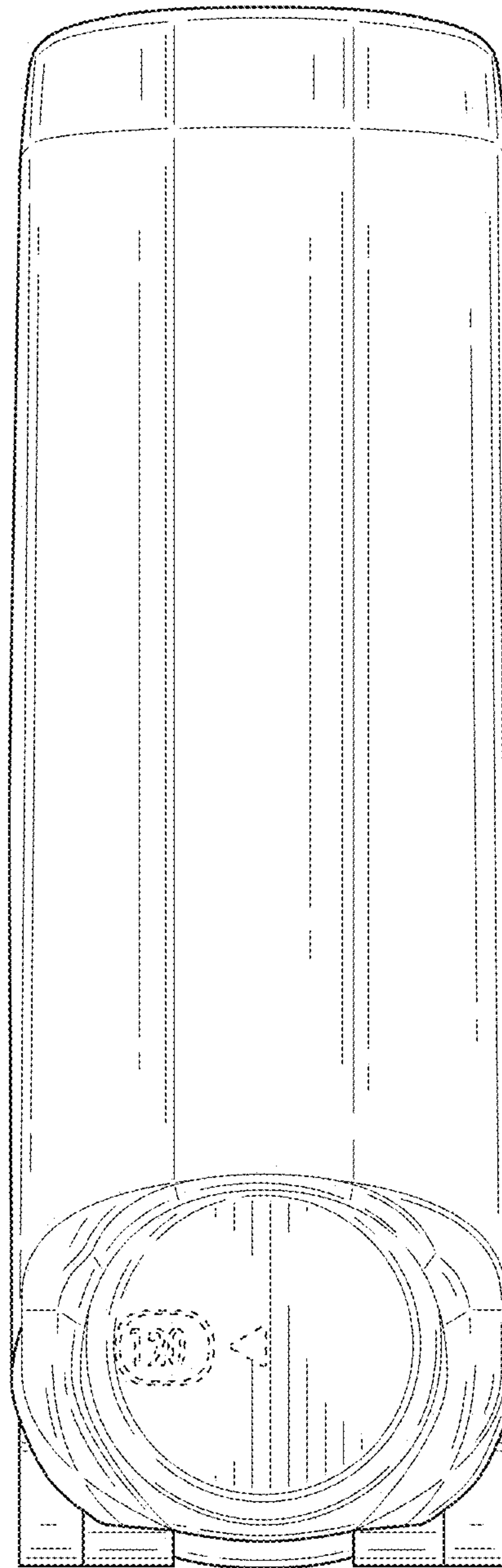


FIG 4

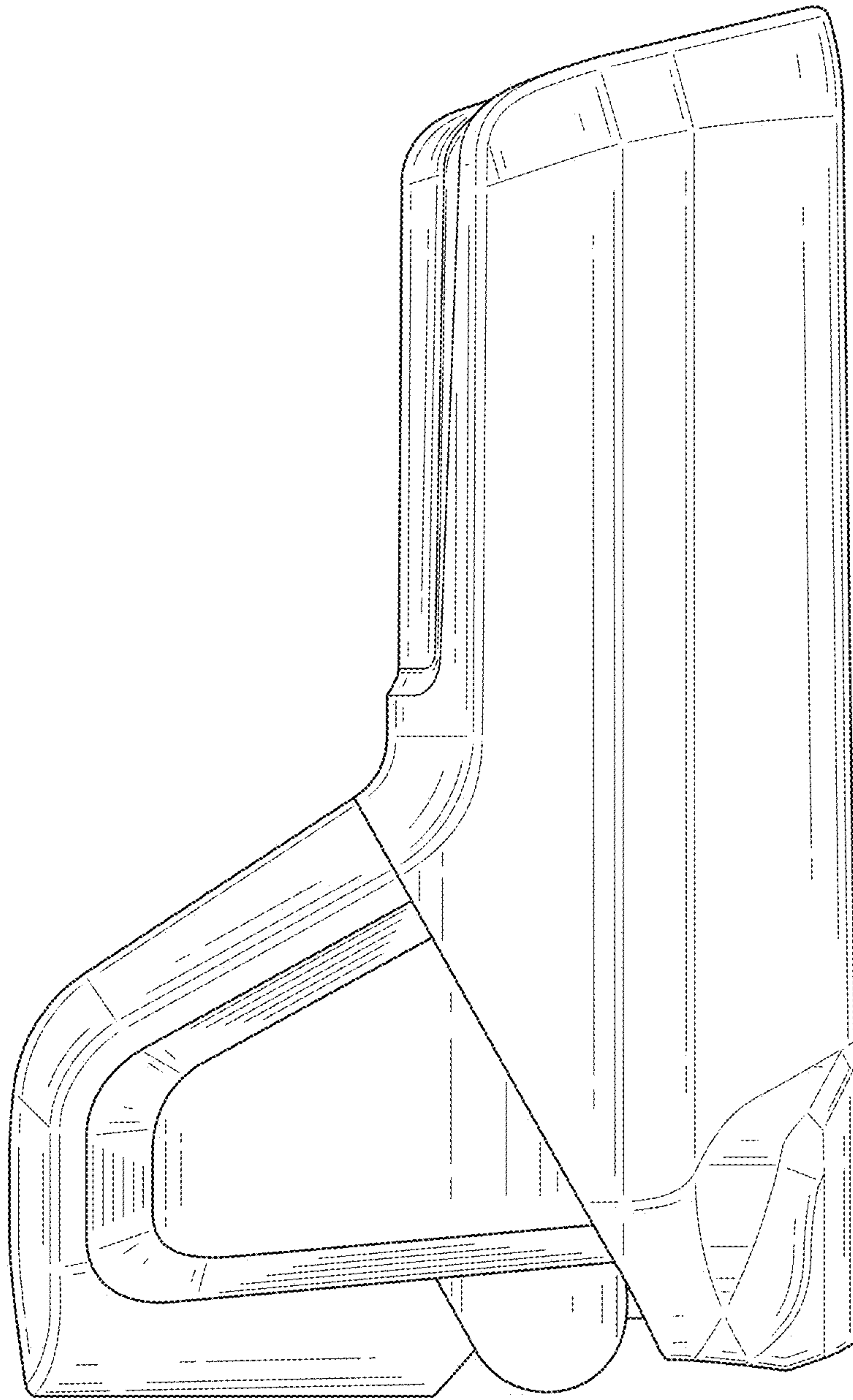


FIG 5

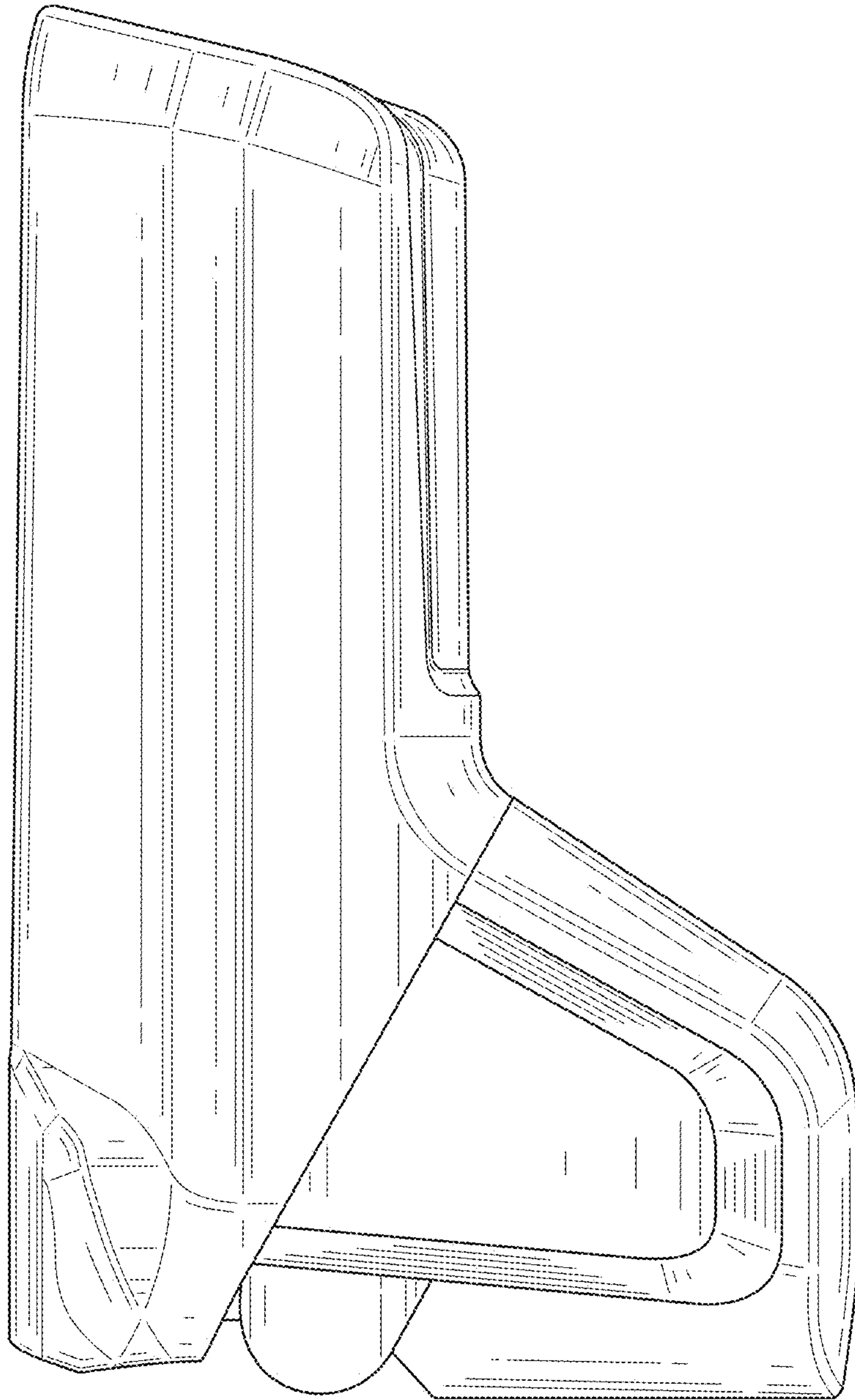


FIG 6

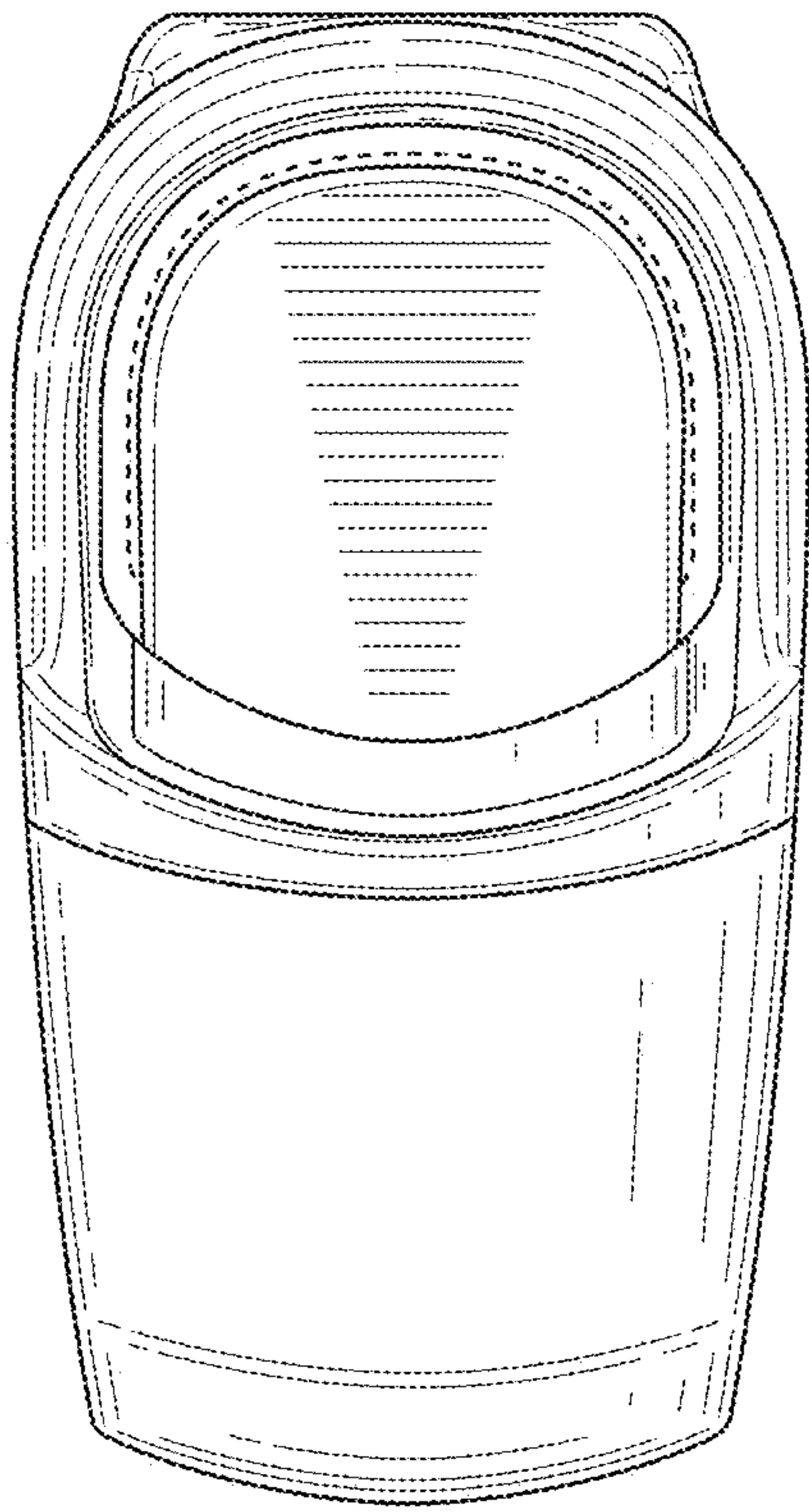


FIG 7

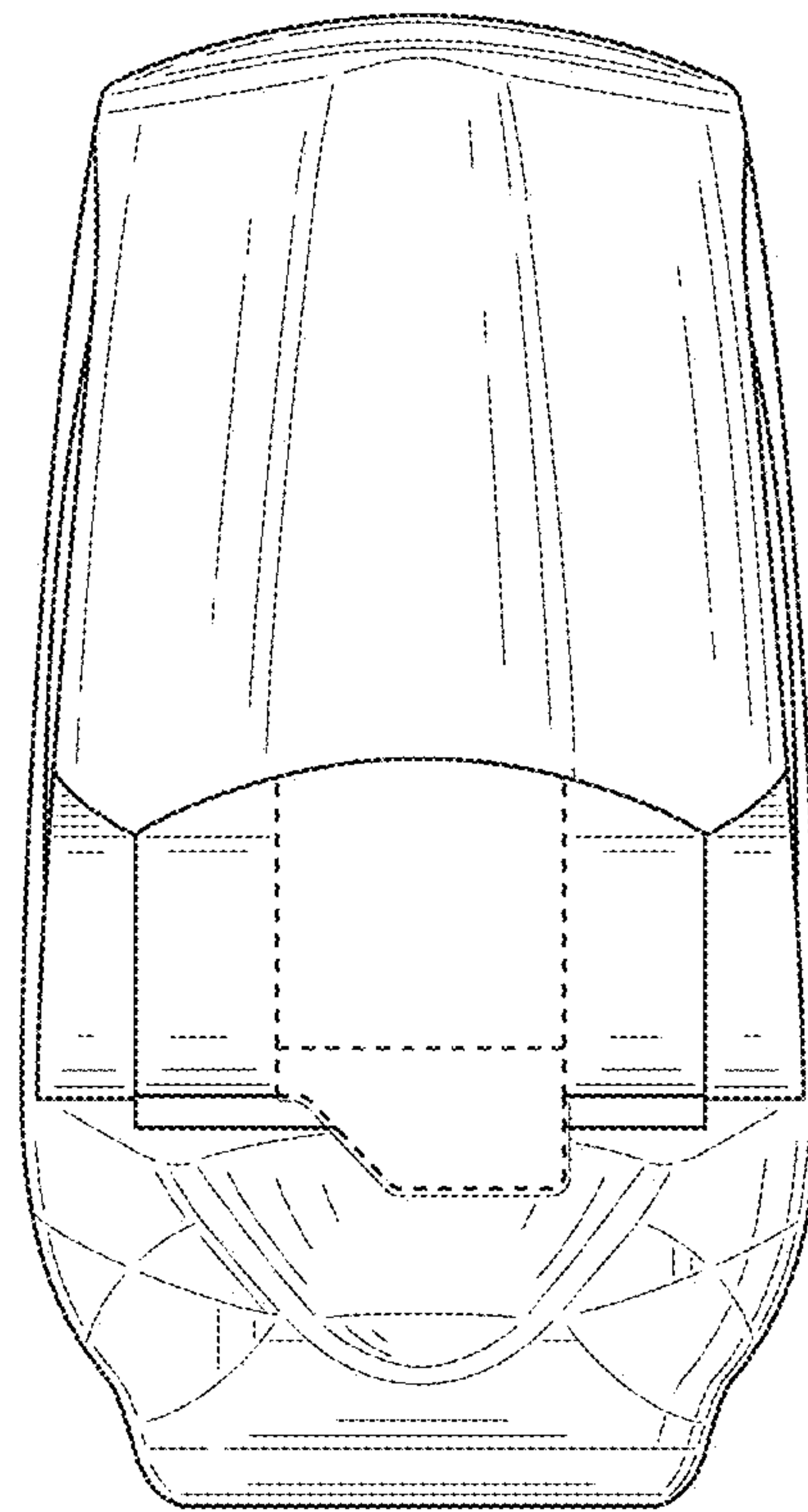


FIG 8

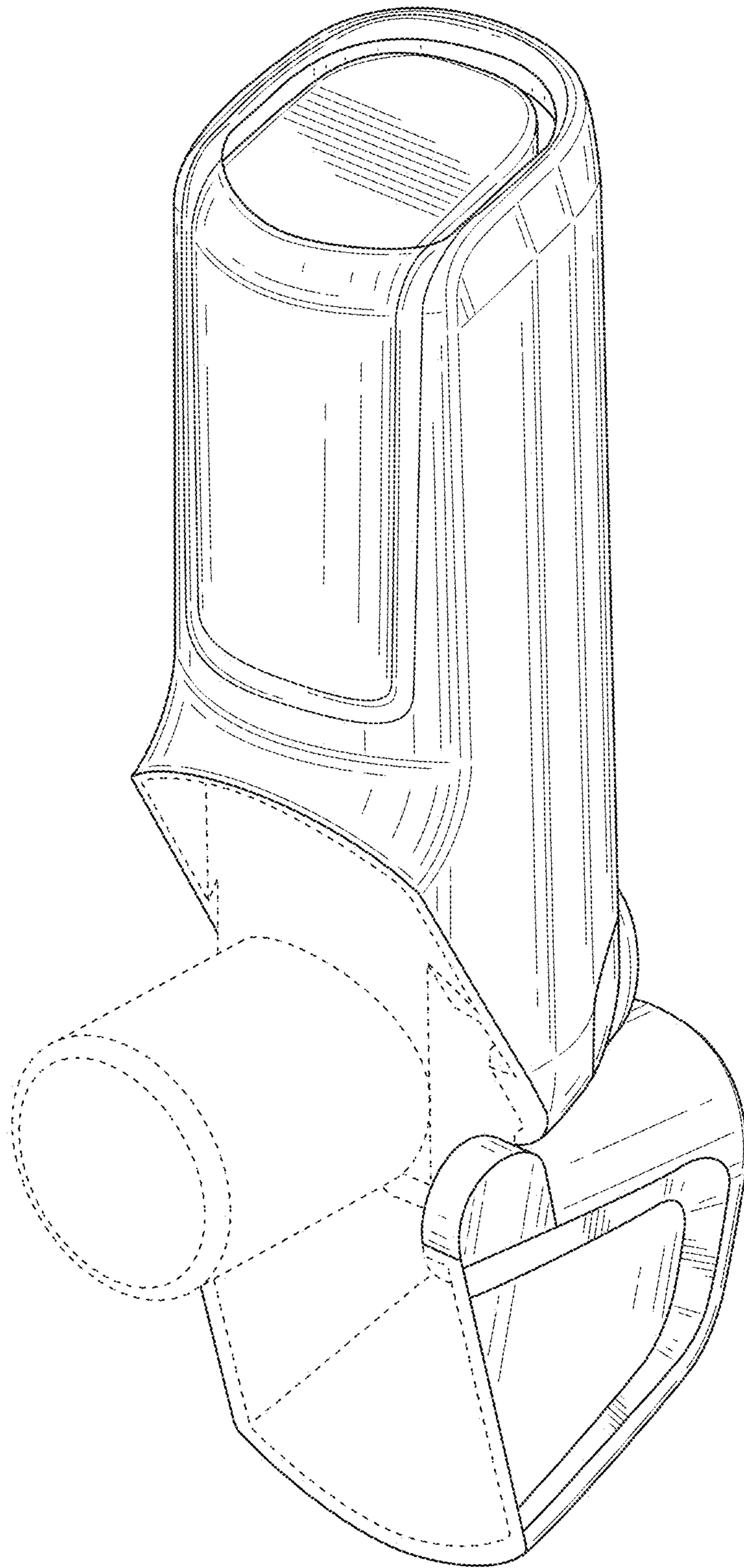


FIG 9

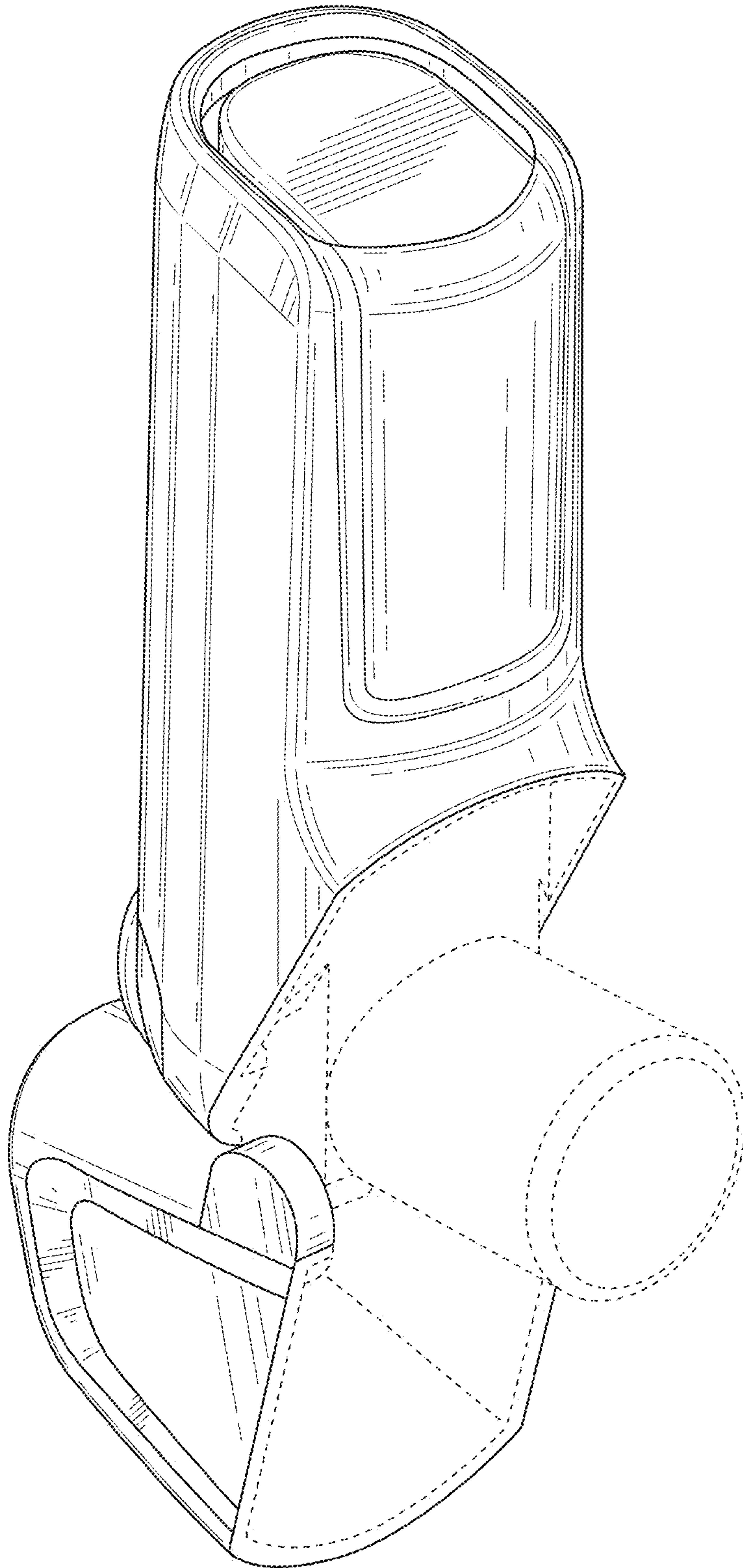


FIG 10

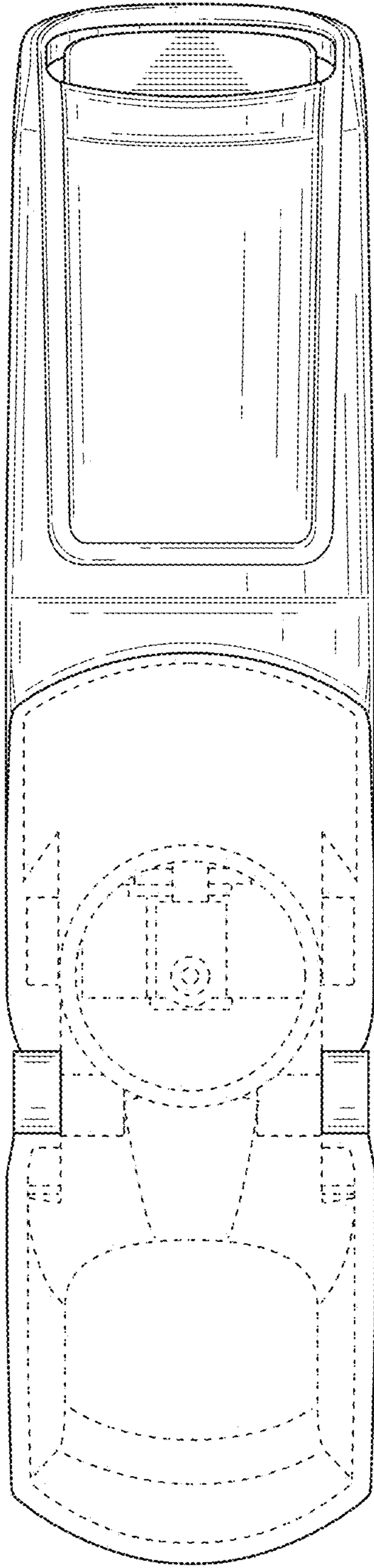


FIG 11

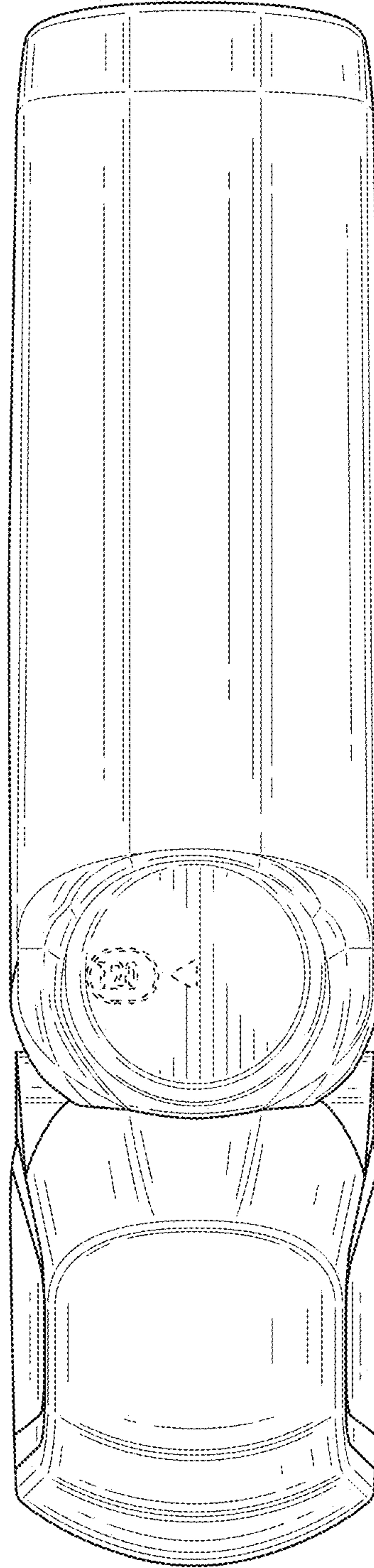


FIG 12

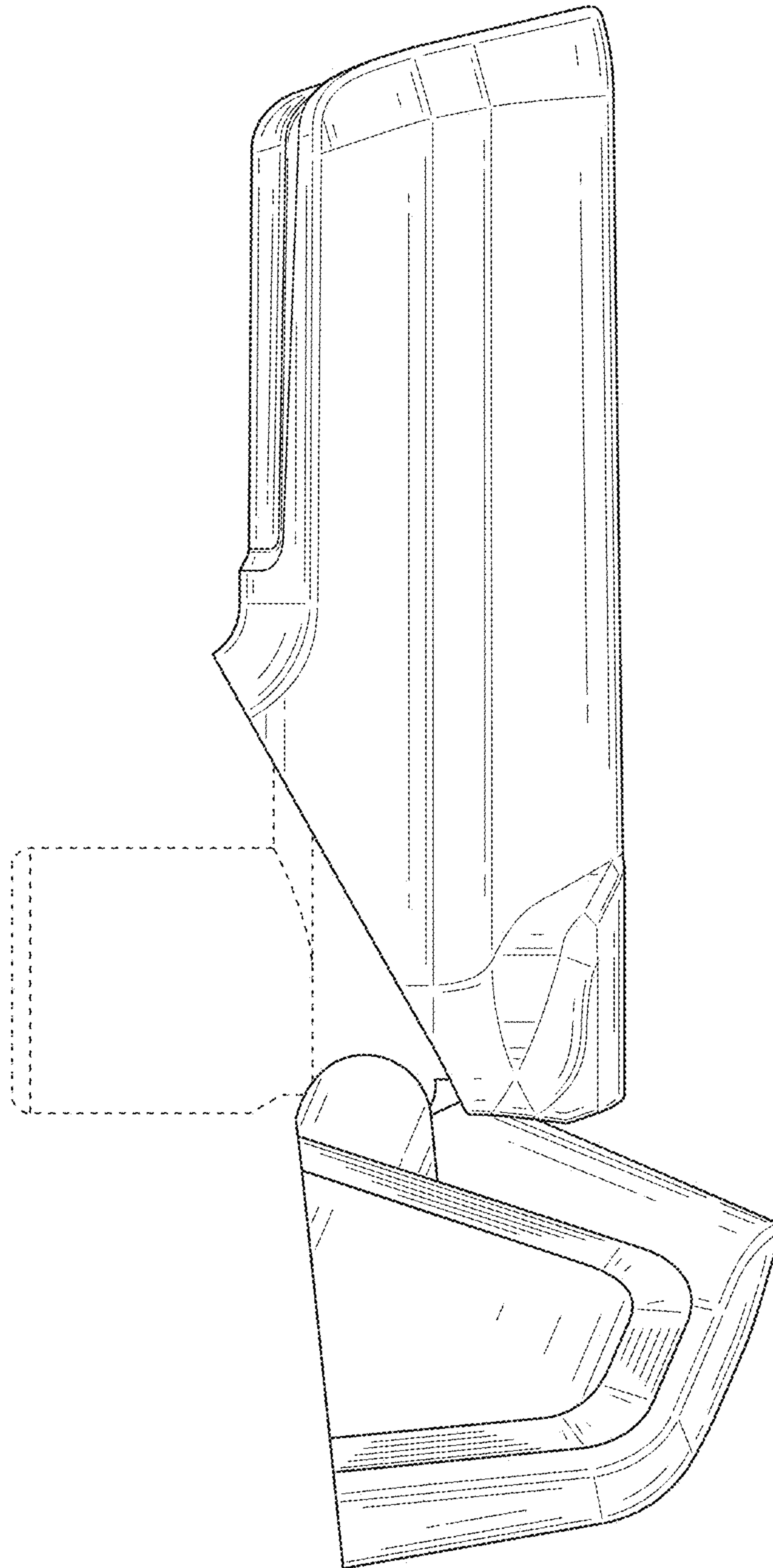


FIG 13

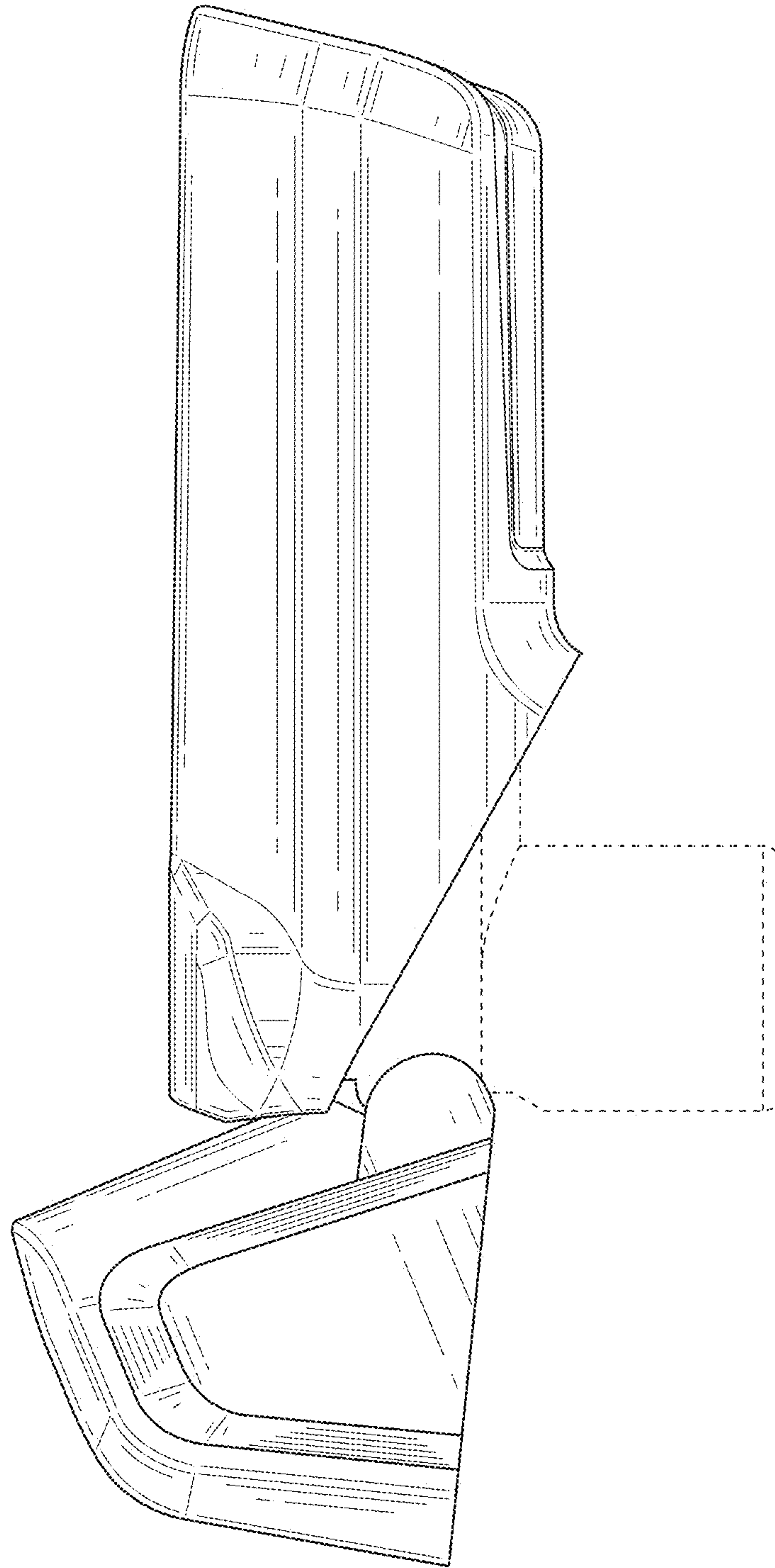


FIG 14

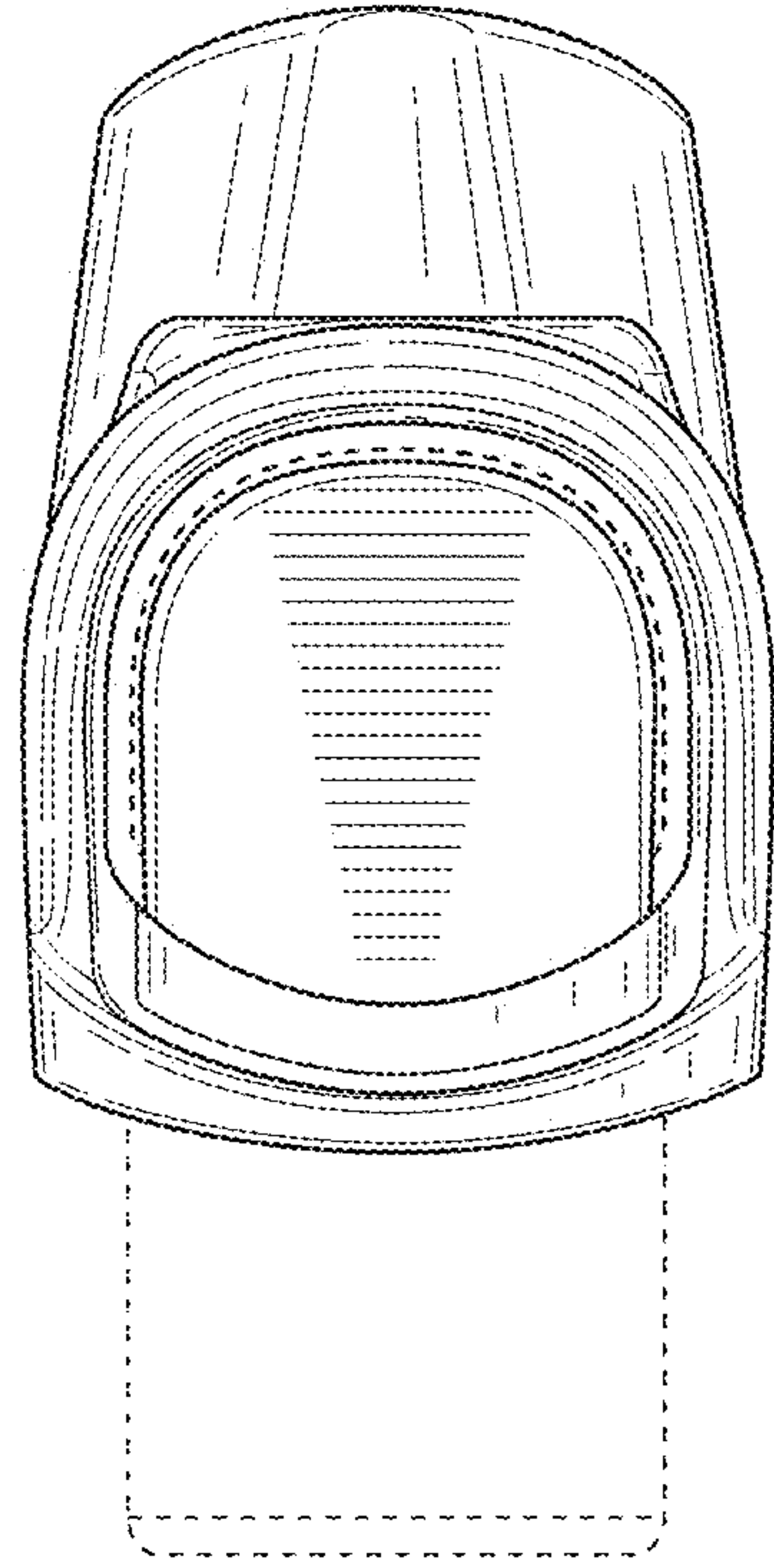


FIG 15

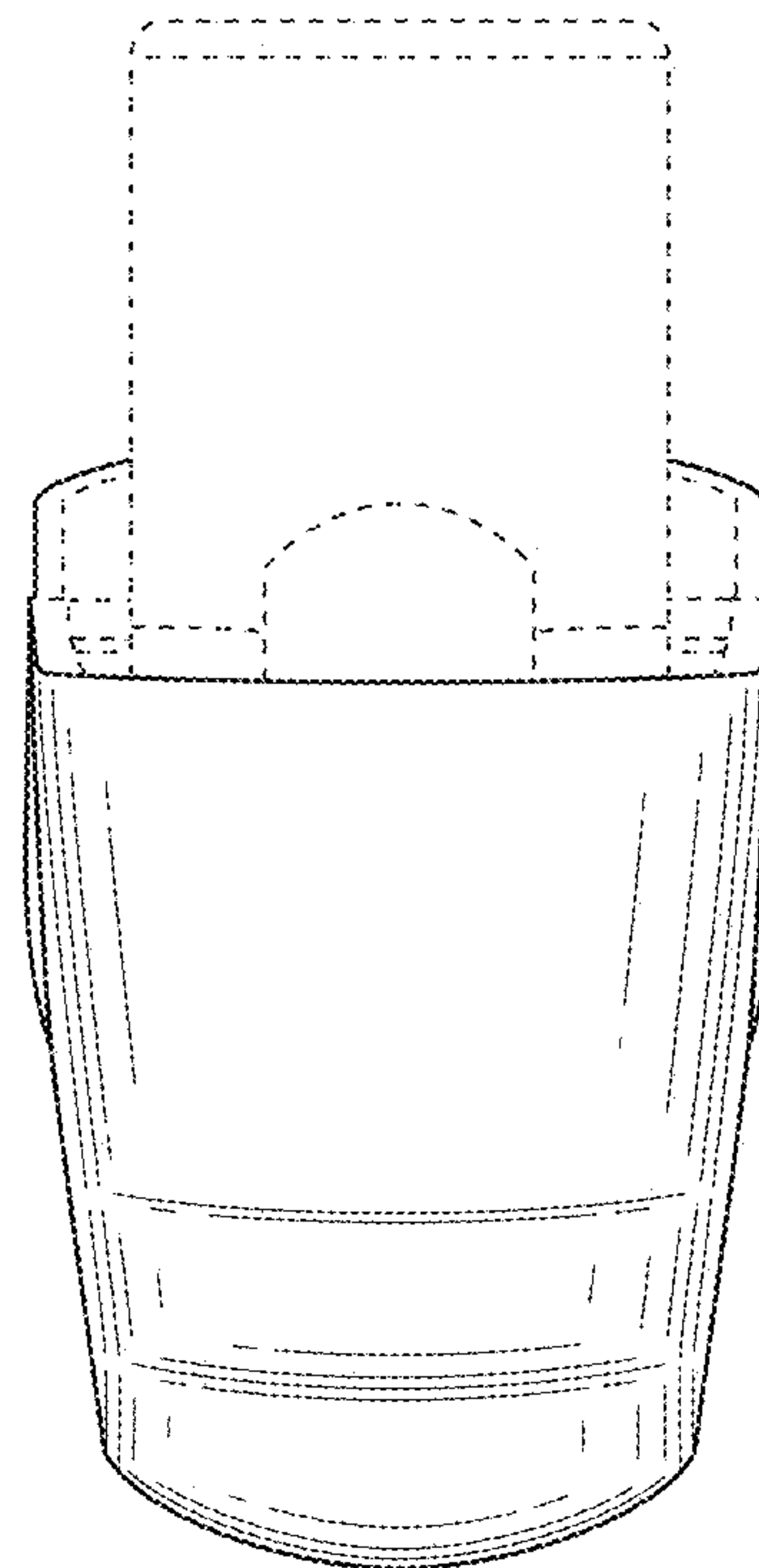


FIG 16