



US00D948703S

(12) **United States Design Patent**
Dalvi et al.

(10) **Patent No.:** **US D948,703 S**
(45) **Date of Patent:** **** Apr. 12, 2022**

(54) **INHALER**

- (71) Applicant: **Lupin Ltd.**, Maharashtra (IN)
- (72) Inventors: **Mukul Dalvi**, Coral Springs, FL (US);
Imran Shaikh, Coral Springs, FL (US);
Xian-Ming Zeng, Coral Springs, FL (US);
Antonio Belton, Chicago, IL (US)
- (73) Assignee: **LUPIN LTD.**, Maharashtra (IN)
- (**) Term: **15 Years**
- (21) Appl. No.: **29/699,558**
- (22) Filed: **Jul. 26, 2019**
- (51) **LOC (13) Cl.** **24-04**
- (52) **U.S. Cl.**
USPC **D24/110**
- (58) **Field of Classification Search**
USPC D24/110, 110.4–110.6, 108, 112, 129,
D24/164
CPC .. A61M 11/00; A61M 15/00; A61M 15/0025;
A61M 15/0026; A61M 15/0065; A61M
15/0068; A61M 15/007; A61M 15/0071;
A61M 15/0073; A61M 15/0075; A61M
15/0076; A61M 15/008; A61M 15/009;
A61M 2202/064
See application file for complete search history.

(56) **References Cited**

U.S. PATENT DOCUMENTS

D769,437 S *	10/2016	Walsh	D24/110
D783,150 S *	4/2017	Cottam	D24/110
D783,151 S *	4/2017	Cottam	D24/110
D808,515 S *	1/2018	Atkin	D24/110
D834,704 S *	11/2018	Atkin	D24/110
11,110,234 B2 *	9/2021	Richardson	A61M 15/002
2002/0073996 A1 *	6/2002	O’Leary	A61M 15/0068
				128/203.15
2006/0237009 A1 *	10/2006	Jones	A61M 15/0093
				128/203.15

(Continued)

FOREIGN PATENT DOCUMENTS

GB 9007514583-0004 * 1/2020
GB 9007514583-0005 * 1/2020

(Continued)

Primary Examiner — Eric L Goodman

Assistant Examiner — Lee D. Starr

(74) *Attorney, Agent, or Firm* — Katten Muchin
Rosenman LLP

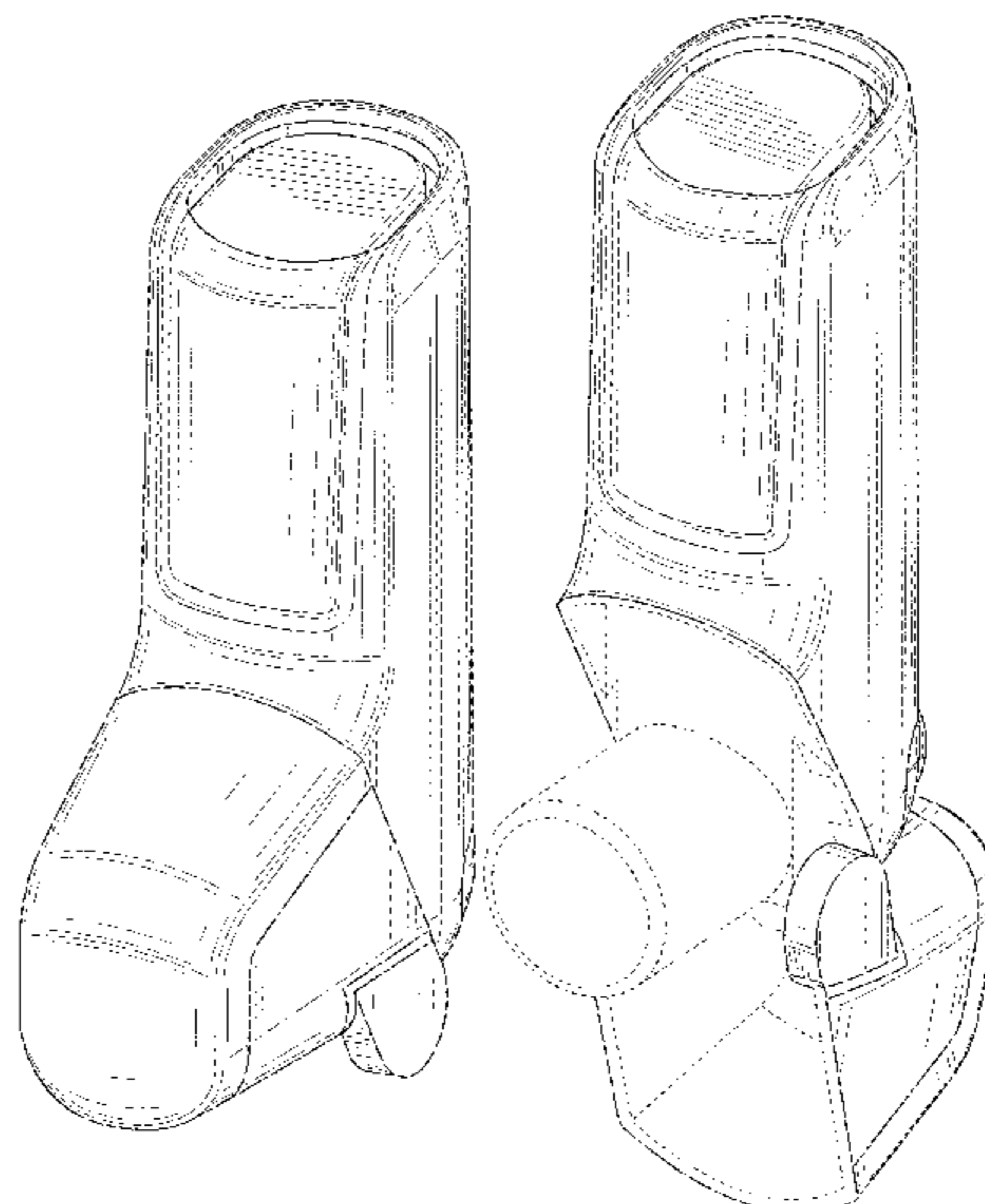
(57) **CLAIM**

We claim, the ornamental design for an inhaler, as shown and described.

DESCRIPTION

FIG. 1 is a left side perspective view of an inhaler, showing our new design;
 FIG. 2 is a right side perspective view thereof;
 FIG. 3 is a front view thereof;
 FIG. 4 is a rear view thereof;
 FIG. 5 is a left side view thereof;
 FIG. 6 is a right side view thereof;
 FIG. 7 is a top view thereof;
 FIG. 8 is a bottom view thereof;
 FIG. 9 is a left side perspective view thereof in an open configuration;
 FIG. 10 is a right side perspective view thereof;
 FIG. 11 is a front view thereof;
 FIG. 12 is a rear view thereof;
 FIG. 13 is a left side view thereof;
 FIG. 14 is a right side view thereof;
 FIG. 15 is a top view thereof; and,
 FIG. 16 is a bottom view thereof.
 Where portions shown in broken lines form no part of the claimed design.

1 Claim, 12 Drawing Sheets



(56)

References Cited

U.S. PATENT DOCUMENTS

2015/0099726 A1* 4/2015 Dalvi A61P 11/00
514/171
2016/0303336 A1* 10/2016 Arp A61M 15/0021
2019/0111221 A1* 4/2019 Richardson A61M 15/0095
2020/0046916 A1* 2/2020 May A61M 15/008

FOREIGN PATENT DOCUMENTS

GB 9007514583-0006 * 1/2020
GB 9007514583-0007 * 1/2020

* cited by examiner

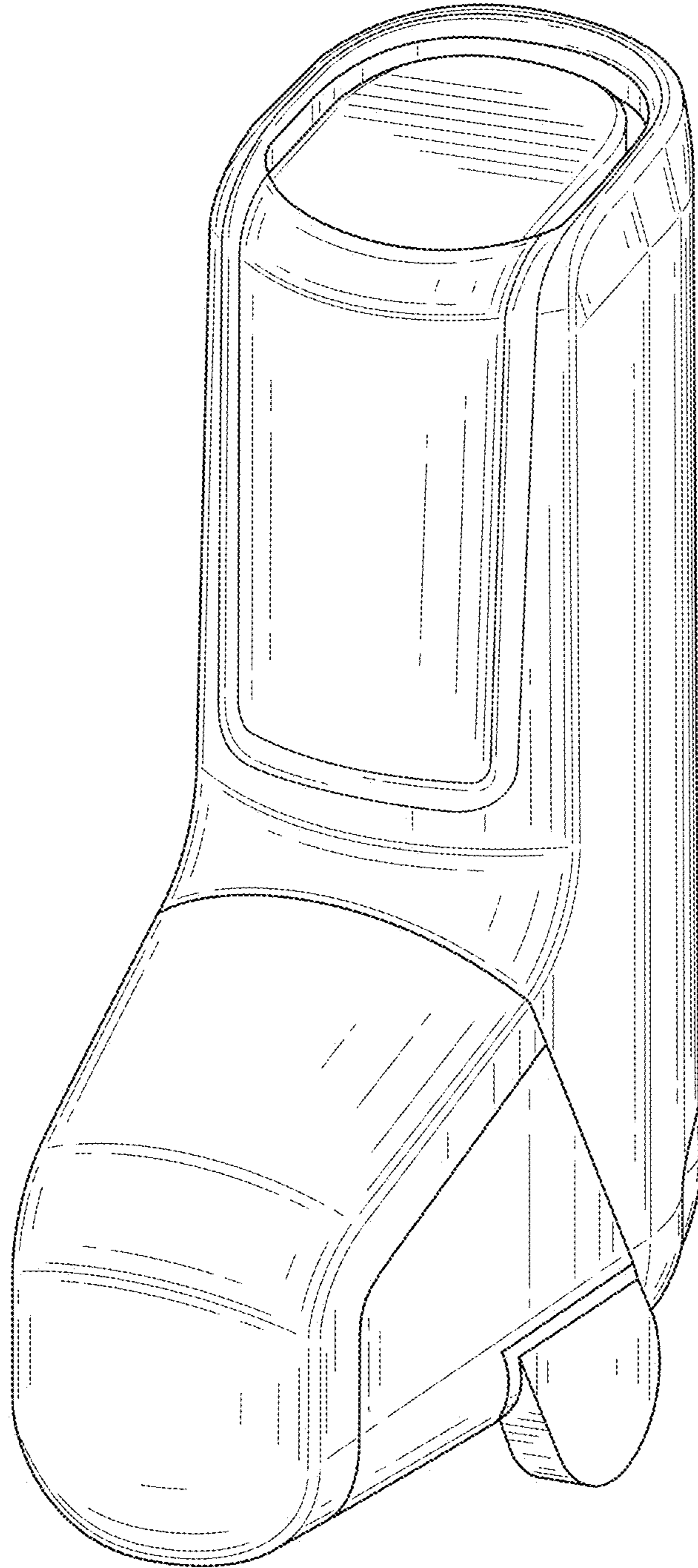


FIG. 1

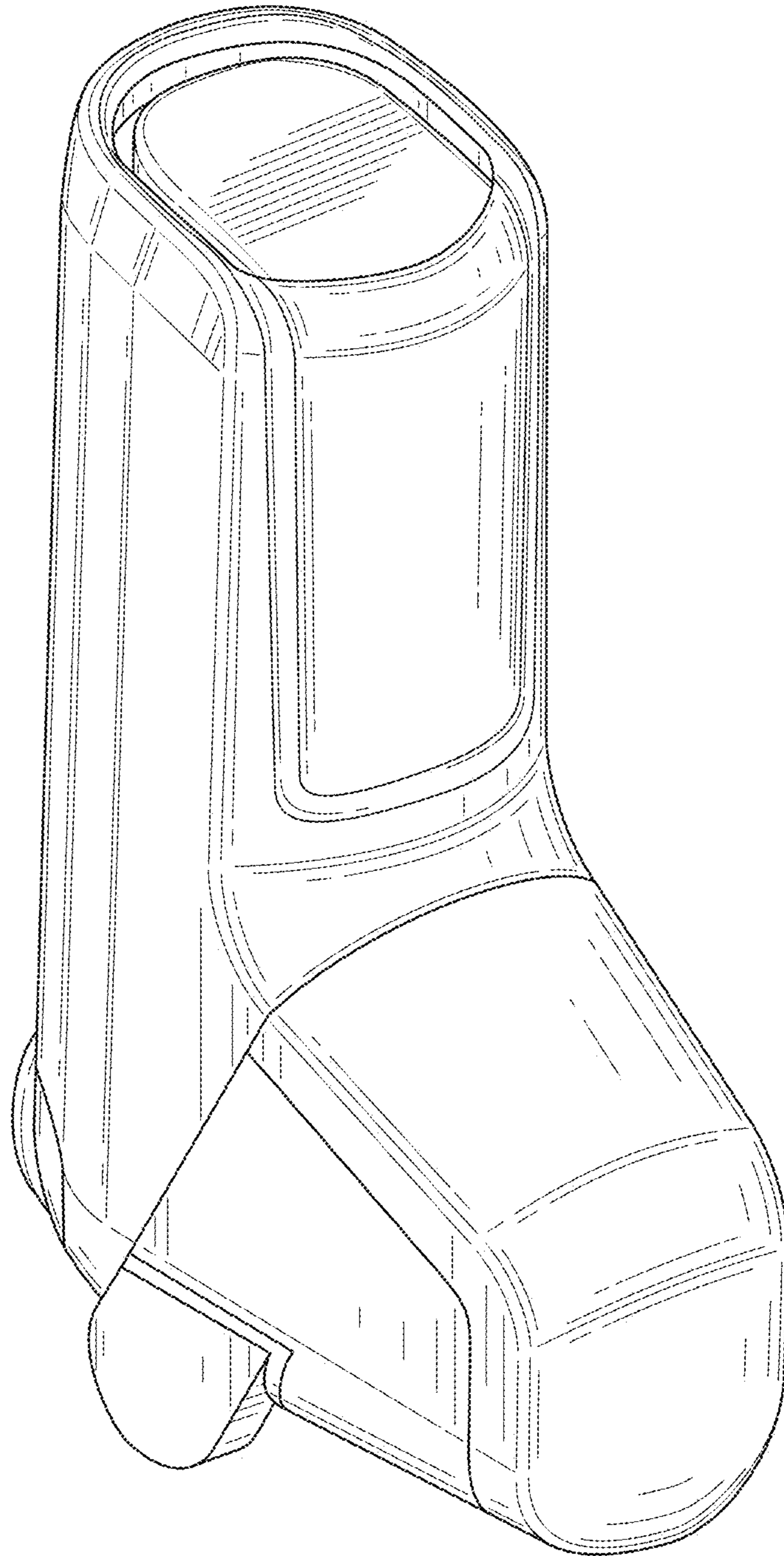


FIG. 2

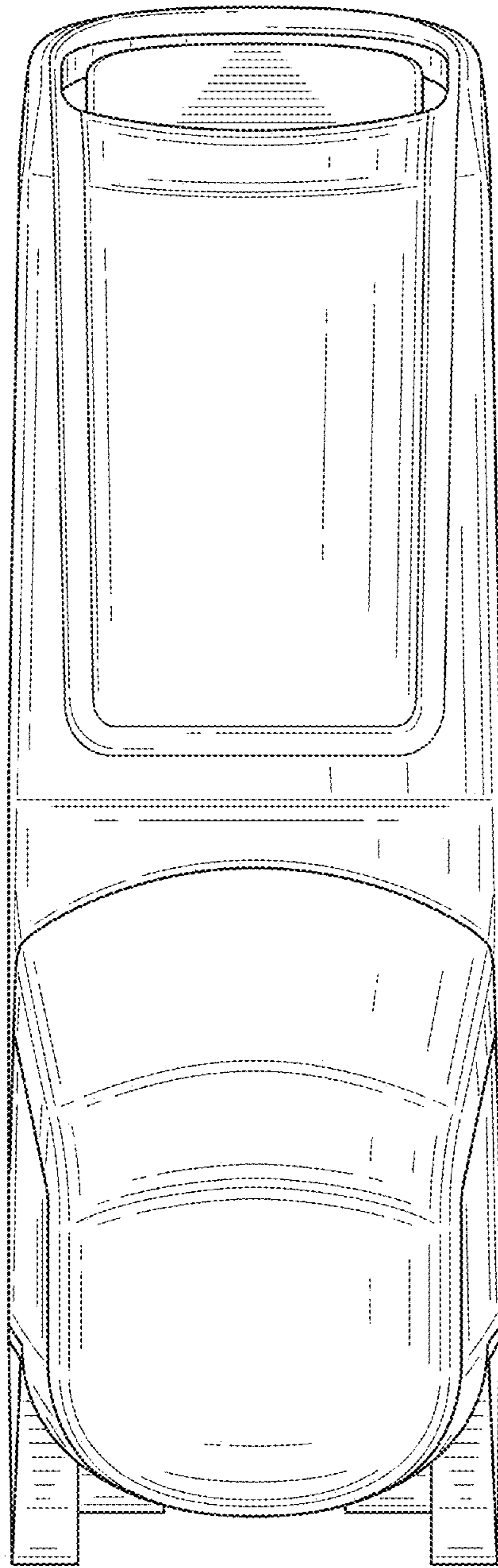


FIG. 3

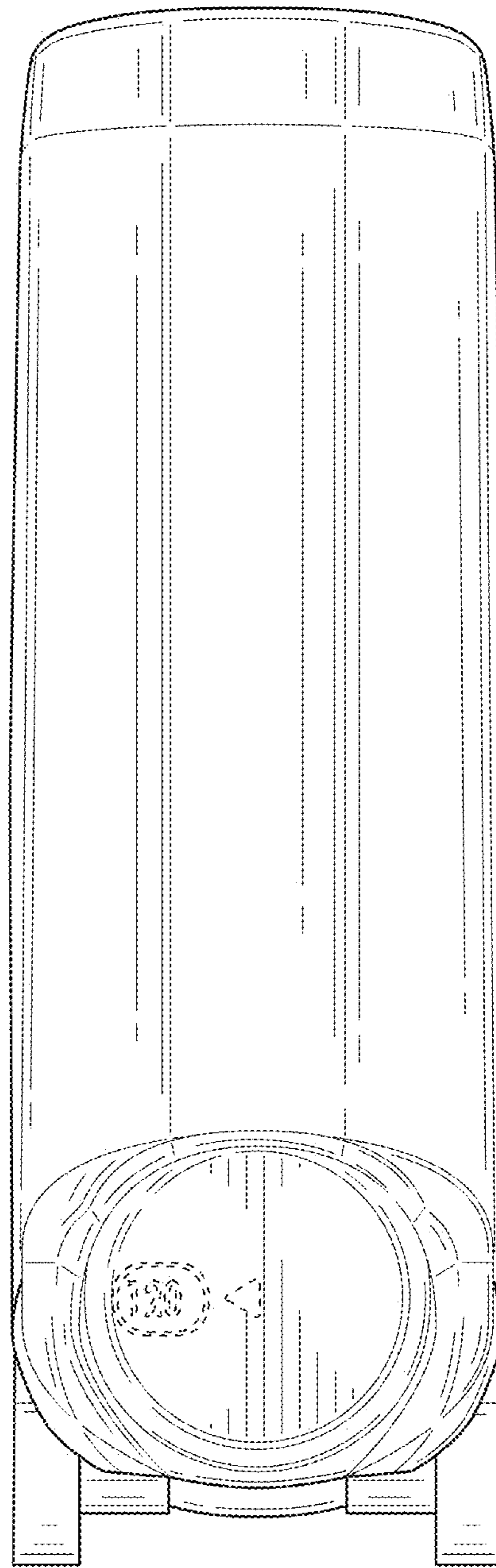


FIG. 4

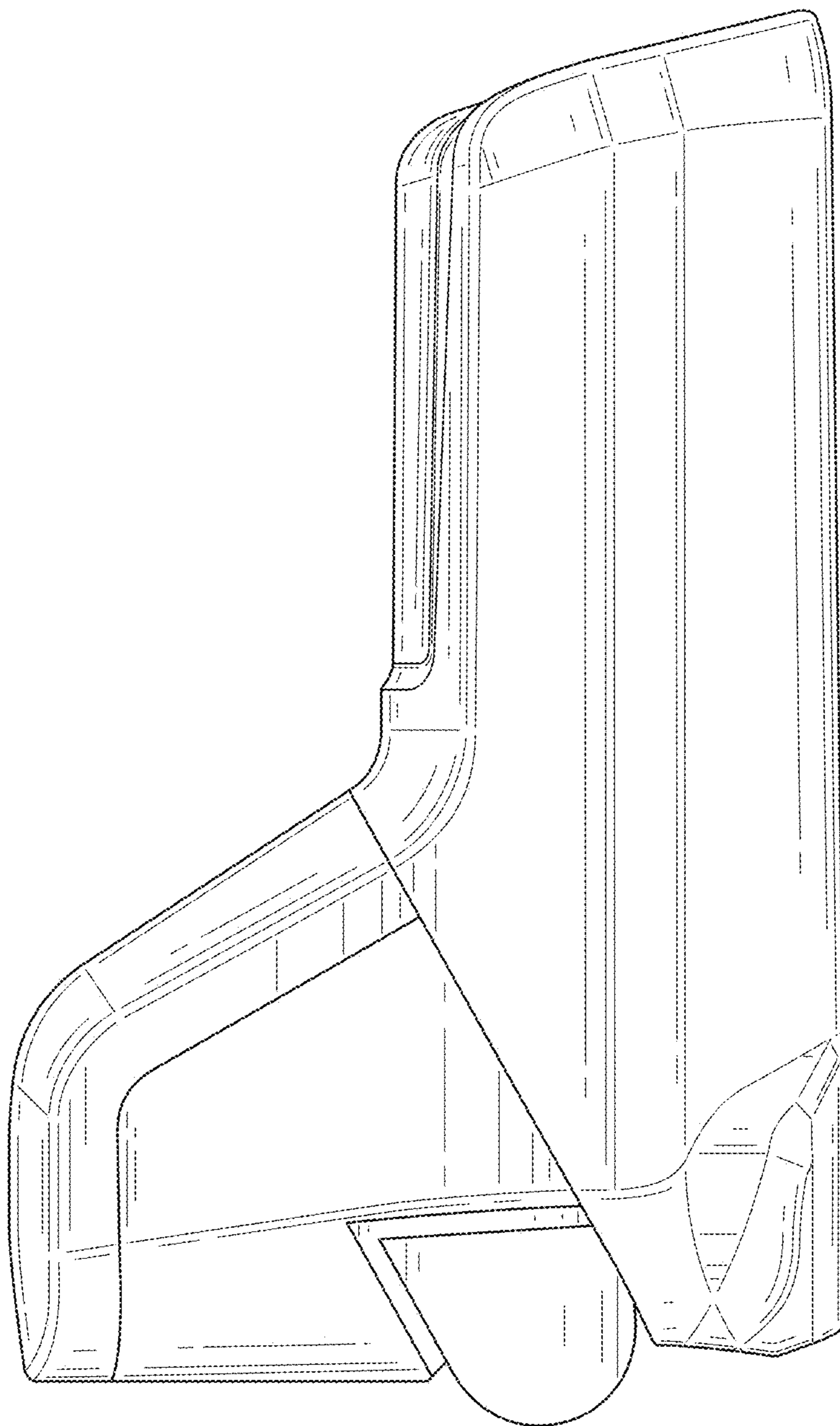


FIG. 5

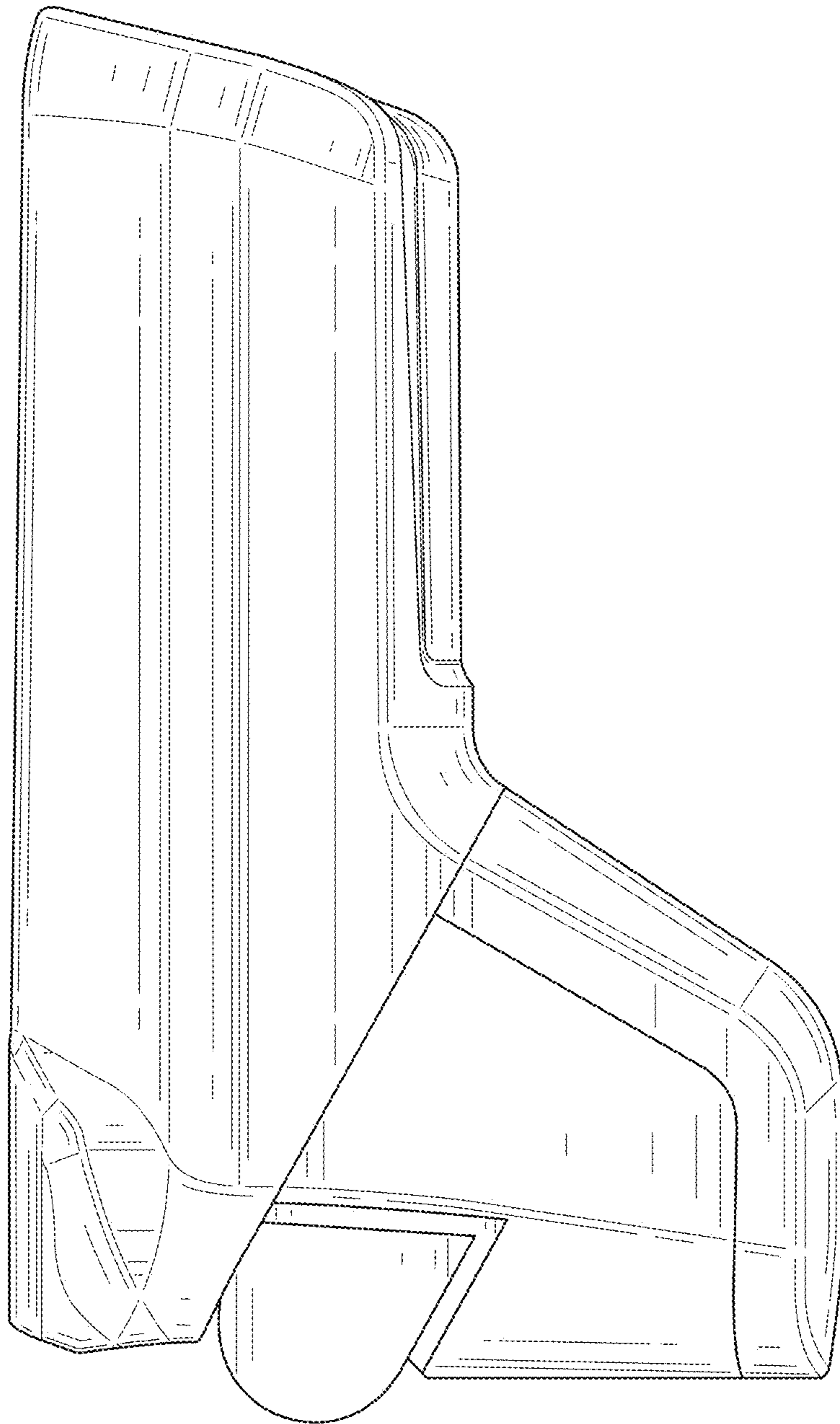


FIG. 6

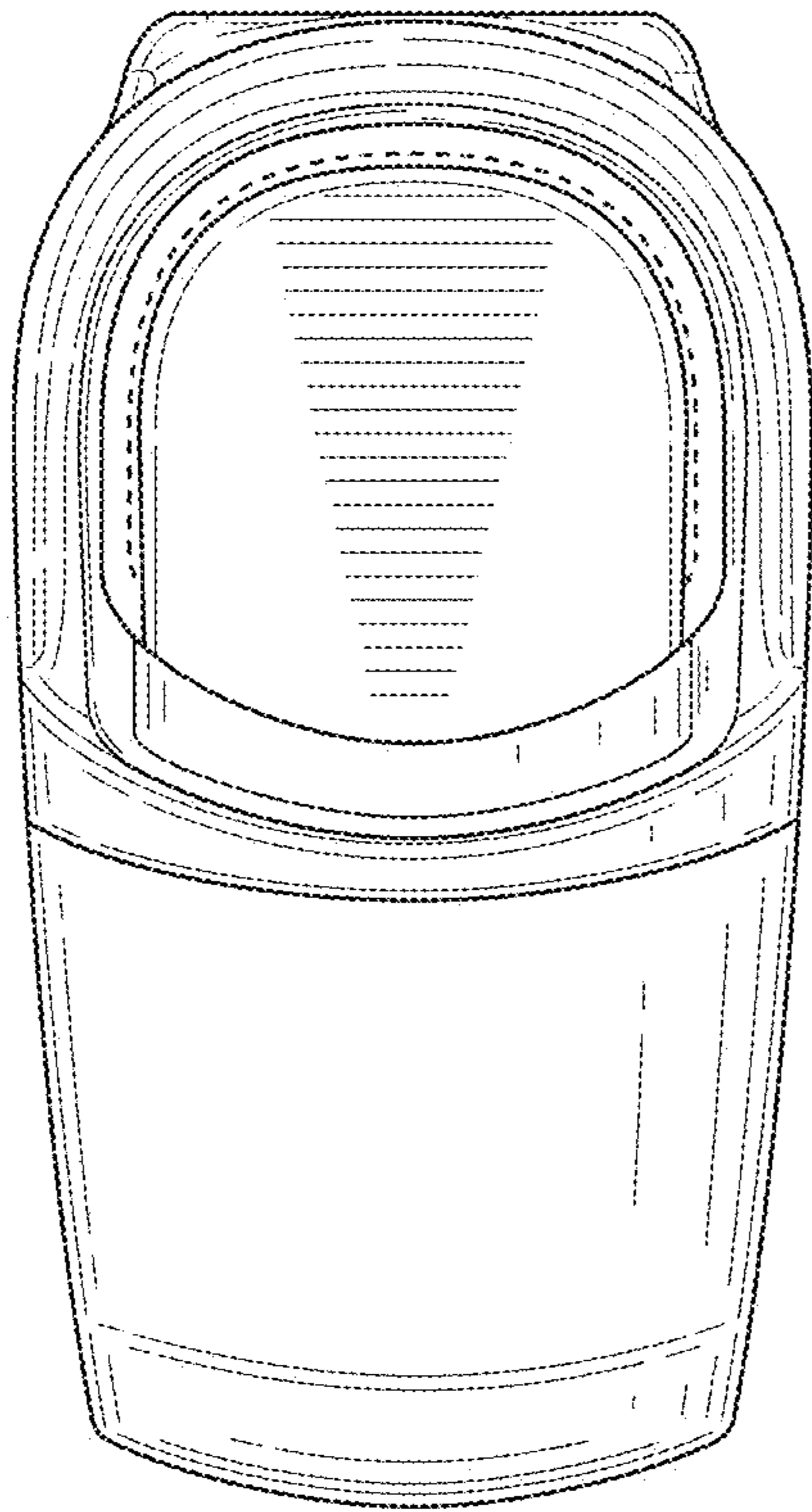


FIG. 7

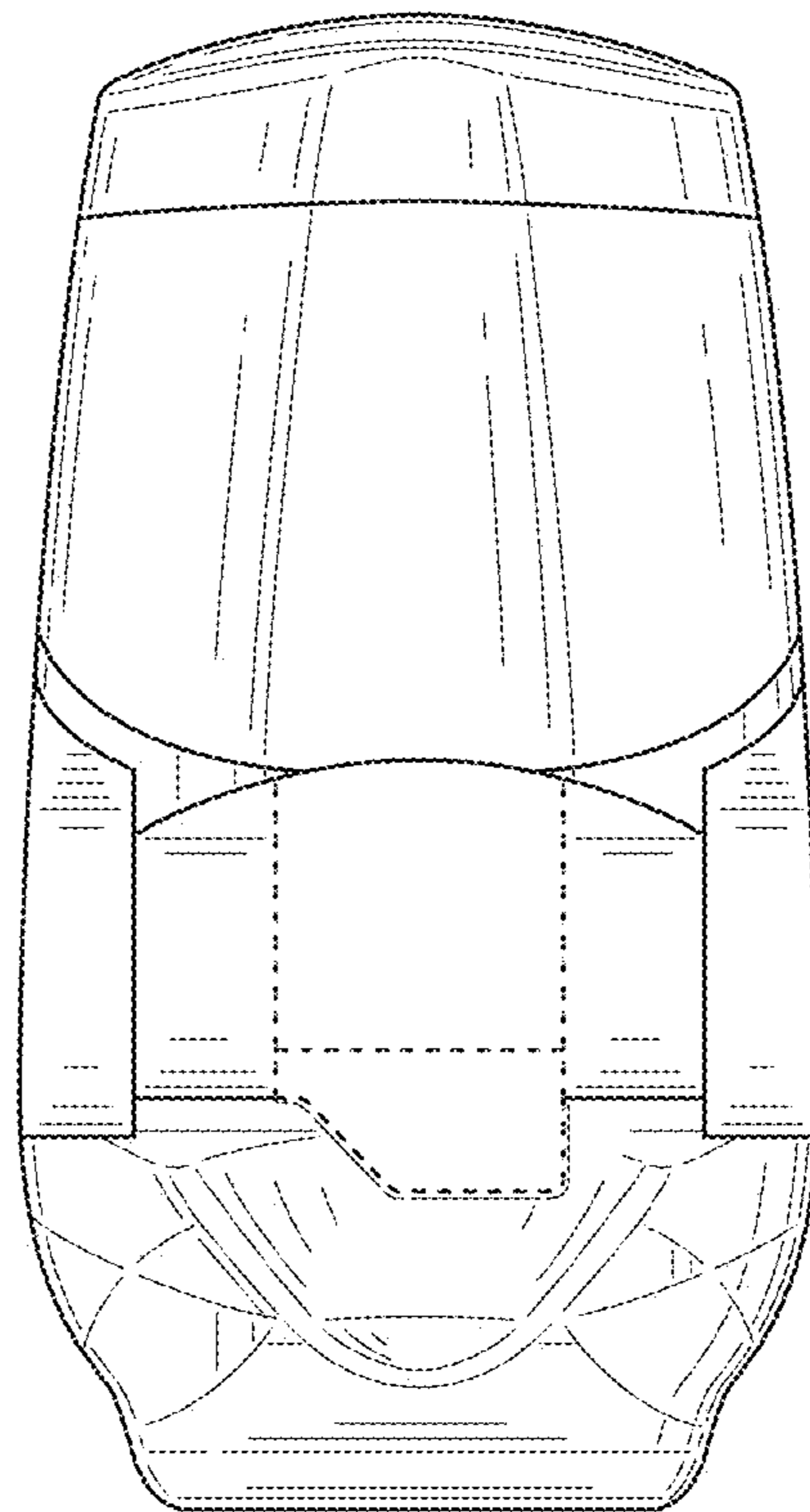


FIG. 8

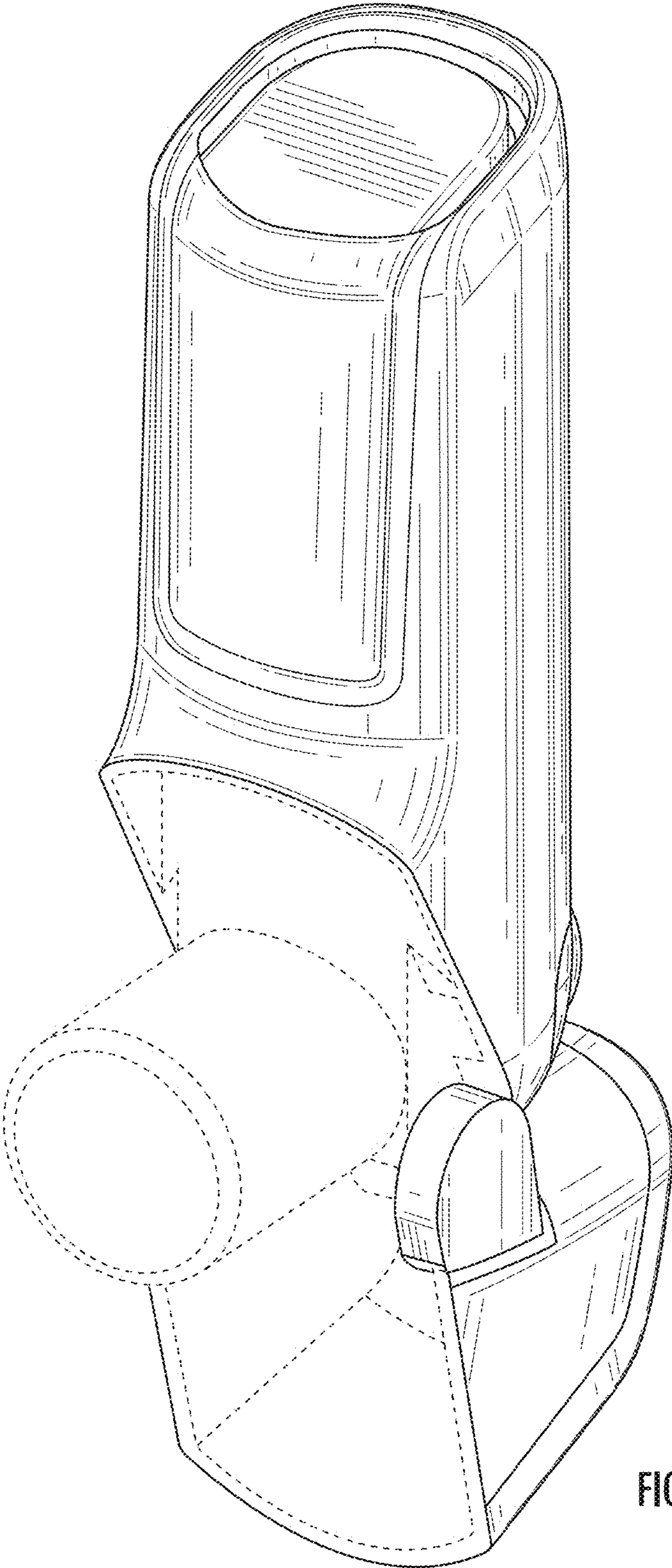


FIG. 9

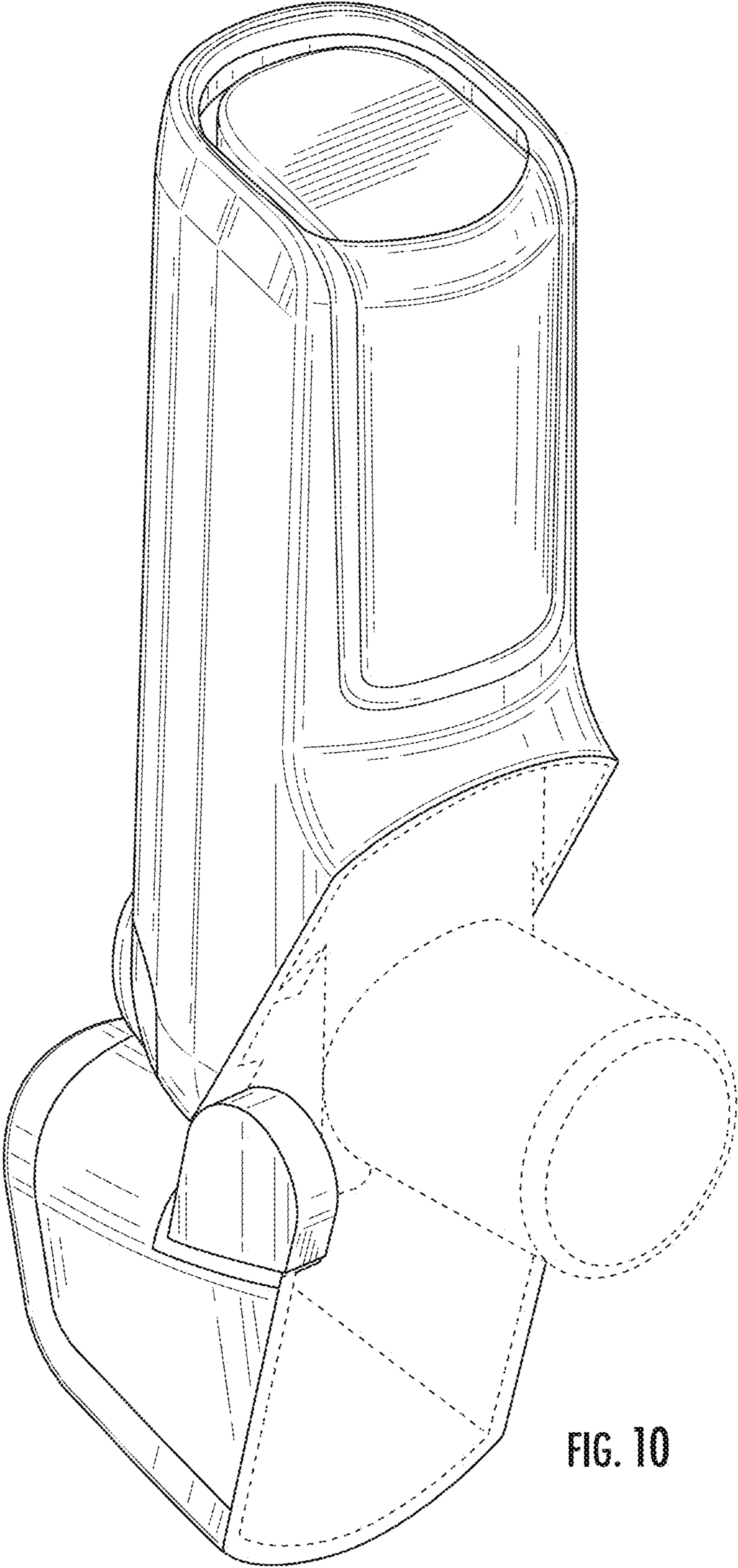


FIG. 10

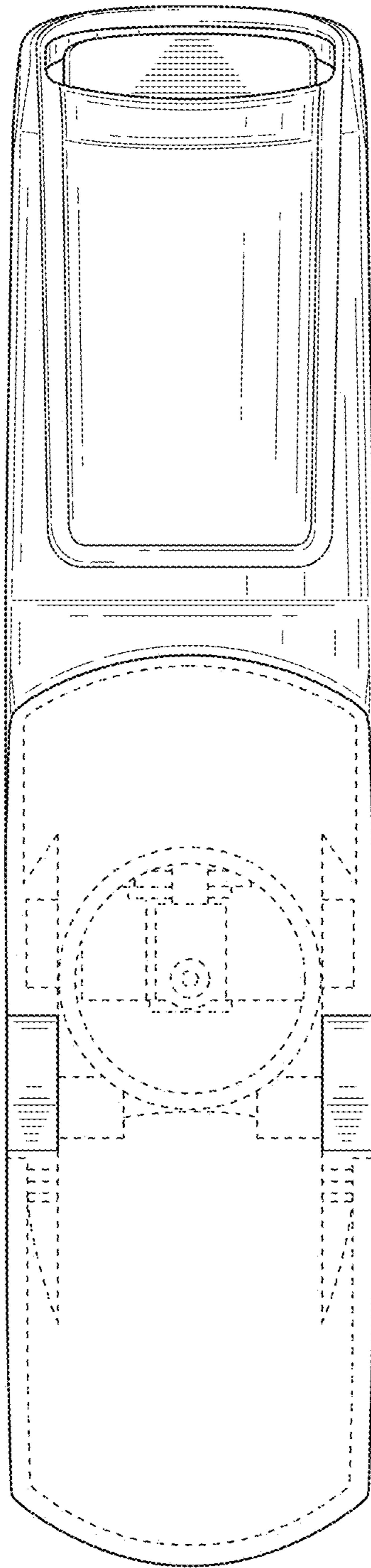


FIG. 11

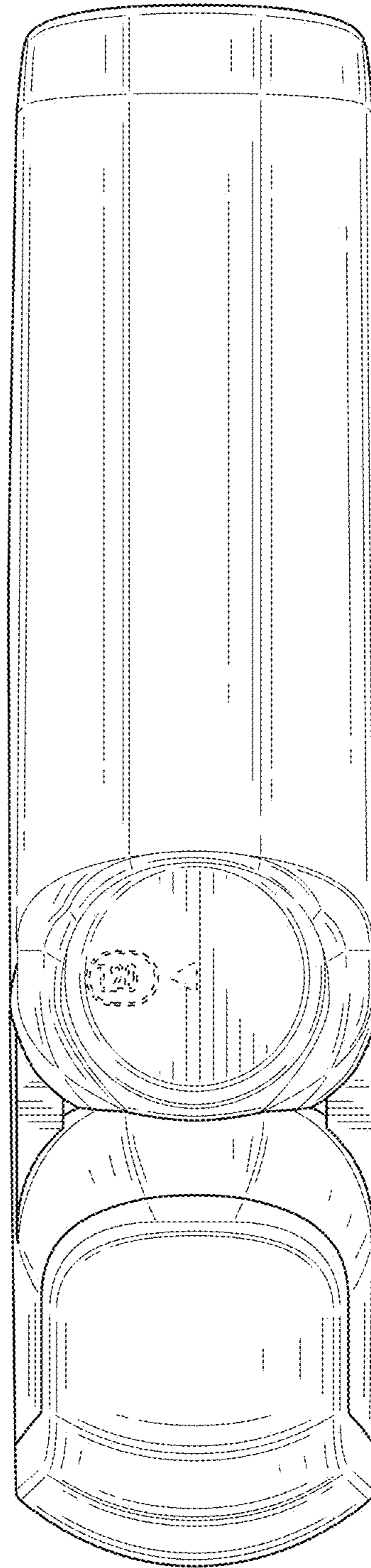


FIG. 12

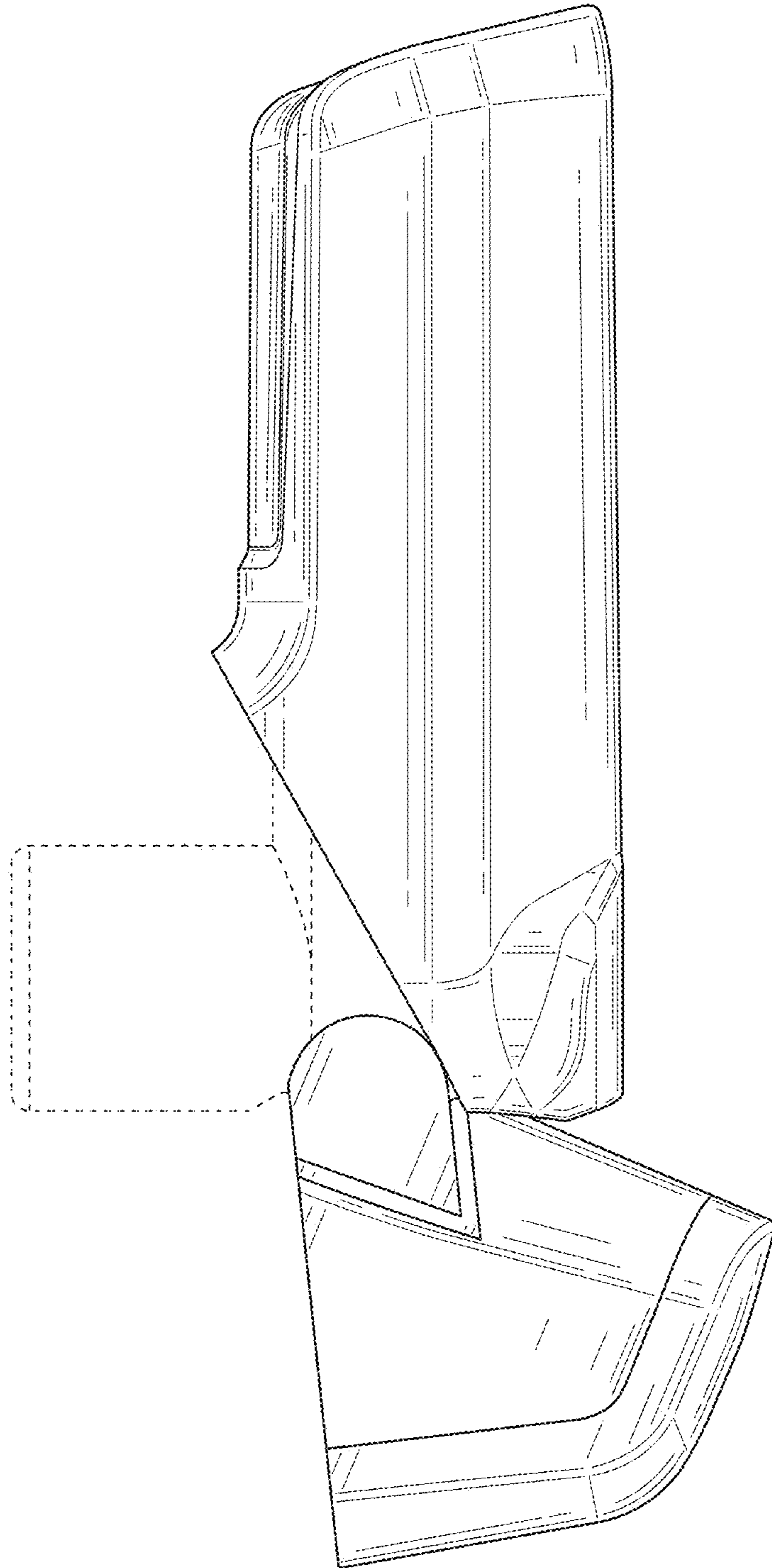


FIG. 13

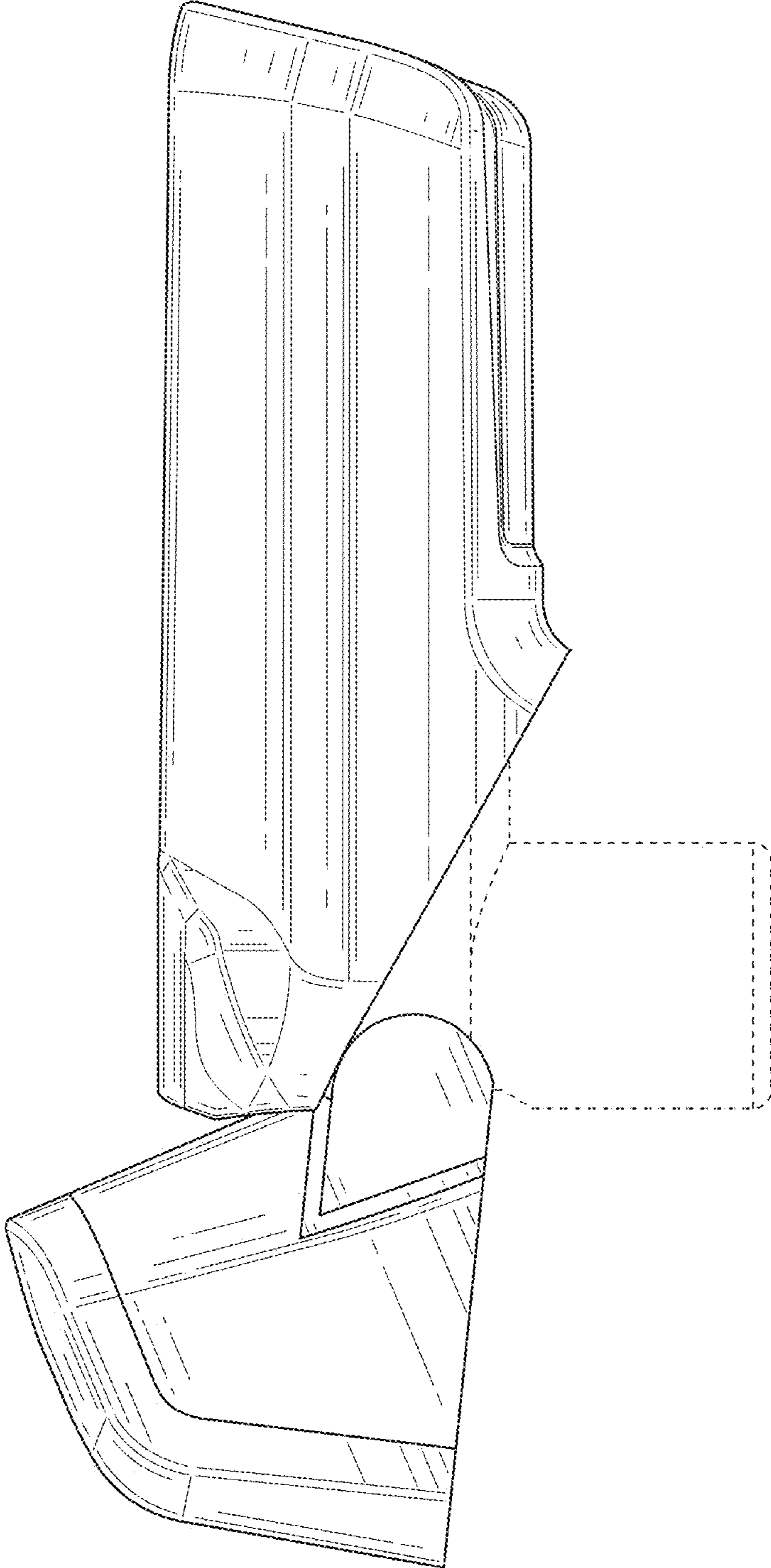


FIG. 14

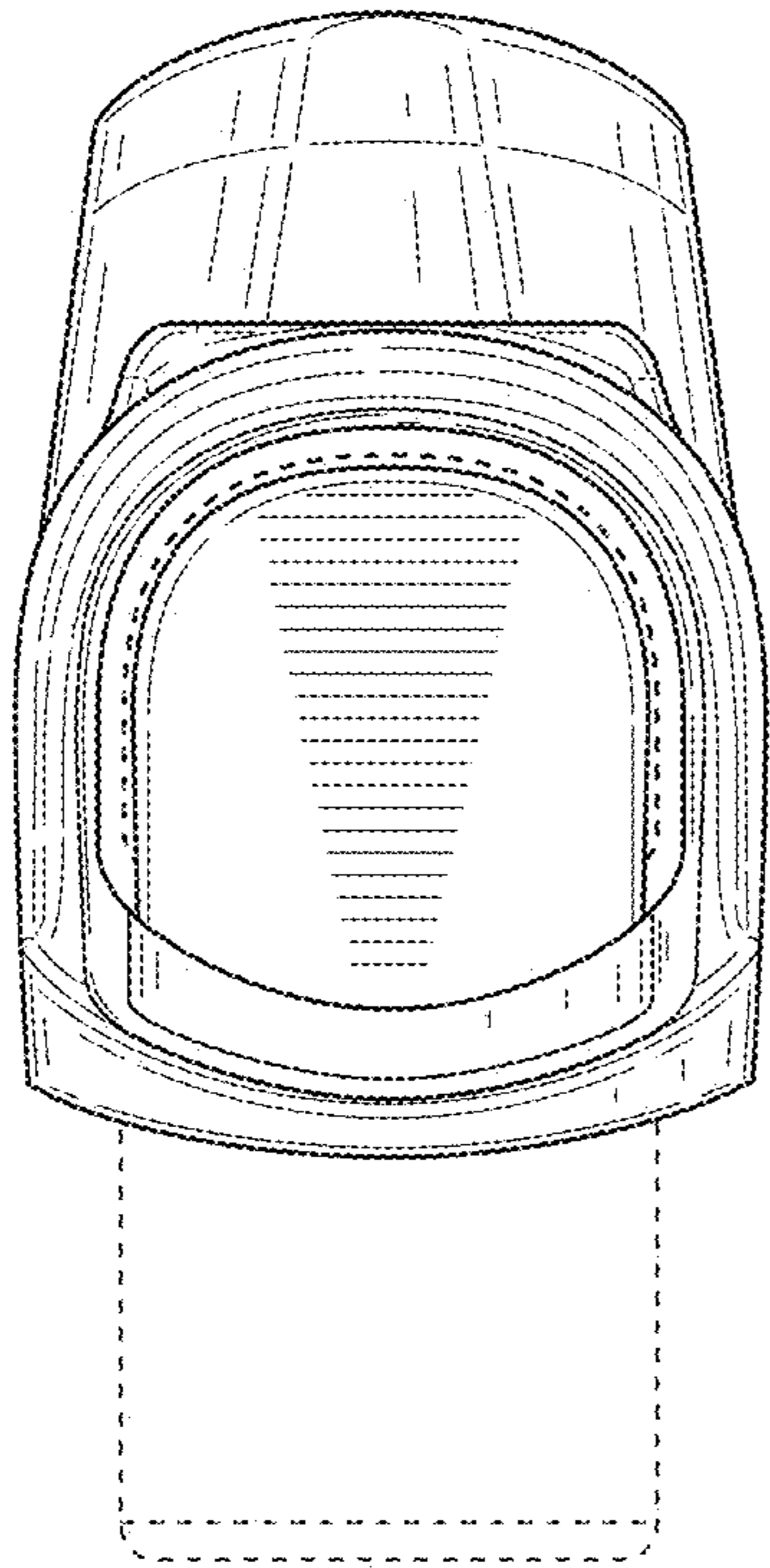


FIG. 15

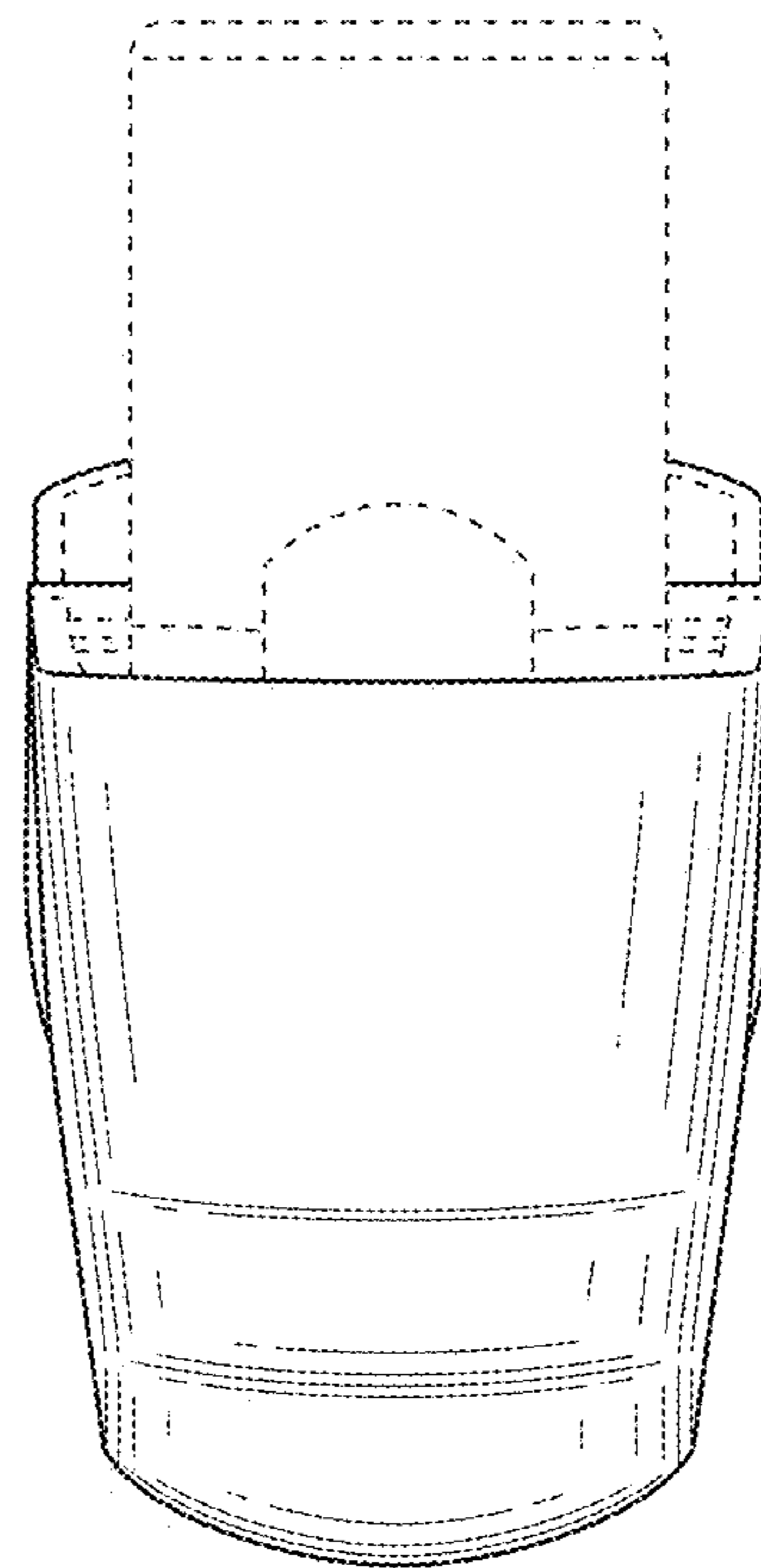


FIG. 16