



US00D948702S

(12) **United States Design Patent**
Ma

(10) **Patent No.:** **US D948,702 S**

(45) **Date of Patent:** **** Apr. 12, 2022**

(54) **FAN**

(71) Applicant: **Shaowei Ma**, Guangdong (CN)

(72) Inventor: **Shaowei Ma**, Guangdong (CN)

(**) Term: **15 Years**

(21) Appl. No.: **29/730,401**

(22) Filed: **Apr. 3, 2020**

(51) **LOC (13) Cl.** **23-04**

(52) **U.S. Cl.**
USPC **D23/382**

(58) **Field of Classification Search**
USPC D23/200, 223, 228, 314, 328, 332, 333,
D23/335, 336, 337, 351, 355, 356, 370,
D23/371, 378-380, 381, 382, 383,
D23/411-412
CPC F04D 25/0673; F04D 25/08; F04D 25/084;
F04D 29/4226
See application file for complete search history.

(56) **References Cited**

U.S. PATENT DOCUMENTS

D295,070 S *	4/1988	Shin-Chin	D23/382
5,547,343 A *	8/1996	Jane	F04D 29/601 248/231.51
D416,321 S *	11/1999	Jane	D23/381
D692,996 S *	11/2013	Alexander	D23/370
D846,728 S *	4/2019	Wang	D23/382
D865,937 S *	11/2019	Lin	D23/382
D884,868 S *	5/2020	Chen	D23/382
D890,912 S *	7/2020	Ma	D23/382

D898,180 S *	10/2020	Du	D23/382
D902,374 S *	11/2020	Li	D23/382
2020/0011338 A1 *	1/2020	Lin	F04D 25/0673

OTHER PUBLICATIONS

Clip fan, Registration No. 305132537, Application No. 201830634014.8, application date Nov. 9, 2018, date published Apr. 26, 2019, Publication Country China, site visited May 21, 2021, available at www.orbit.com.*

USB clip oscillating fan, Registration No. 305690427, Application No. 201930574464.7, application date Oct. 22, 2019, date published Apr. 7, 2020, Publication Country China, site visited May 21, 2021, available at www.orbit.com.*

* cited by examiner

Primary Examiner — Sharon S Oum

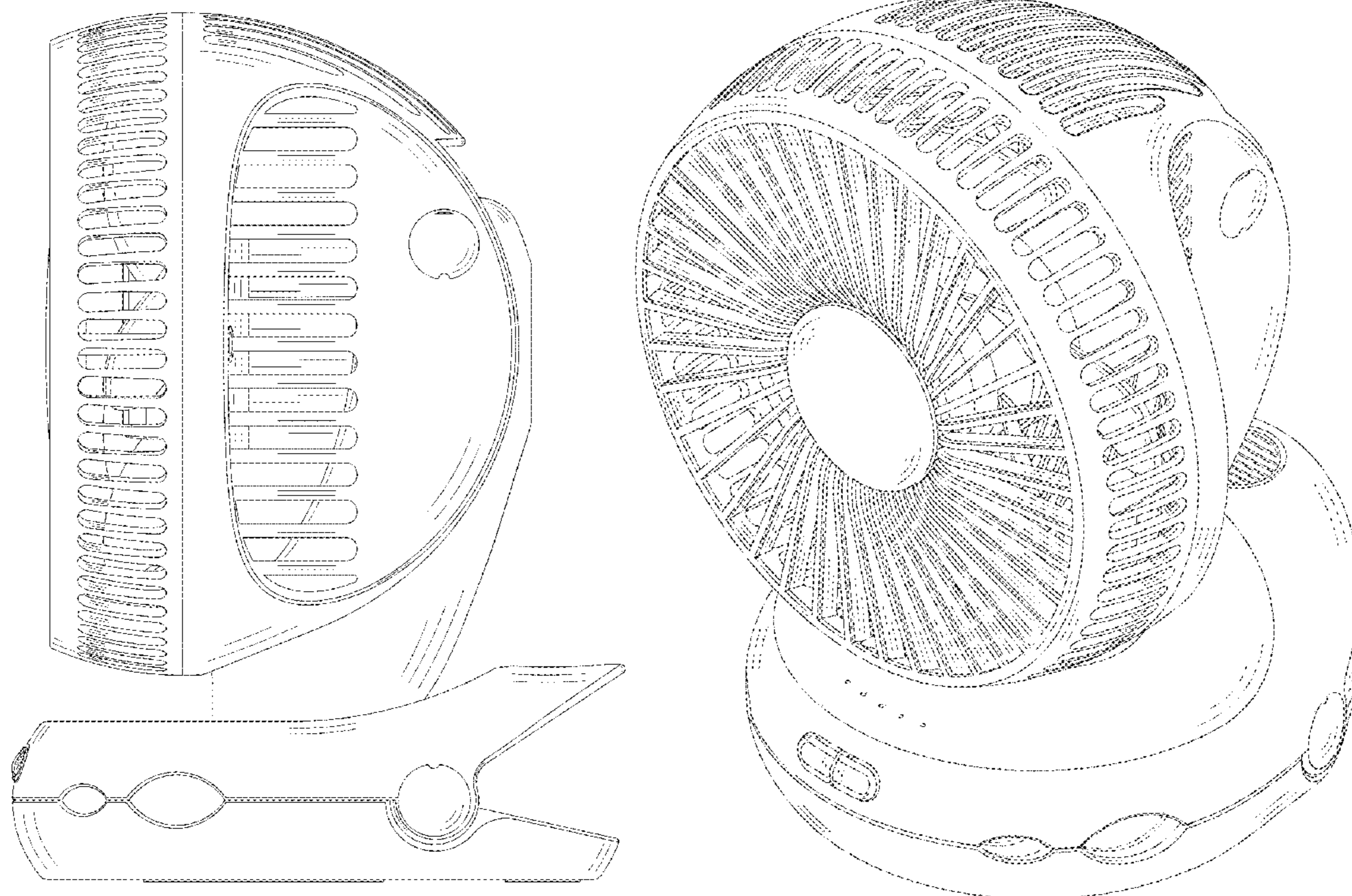
(57) **CLAIM**

The ornamental design for fan, as shown and described.

DESCRIPTION

FIG. 1 is a front view of the fan showing my new design; FIG. 2 is a back view thereof; FIG. 3 is a left side view thereof; FIG. 4 is a right side view thereof; FIG. 5 is a top view thereof; FIG. 6 is a bottom view thereof; FIG. 7 is a perspective view thereof; and, FIG. 8 is another perspective view thereof. The broken lines show portions of the fan that form no part of the claimed design.

1 Claim, 8 Drawing Sheets



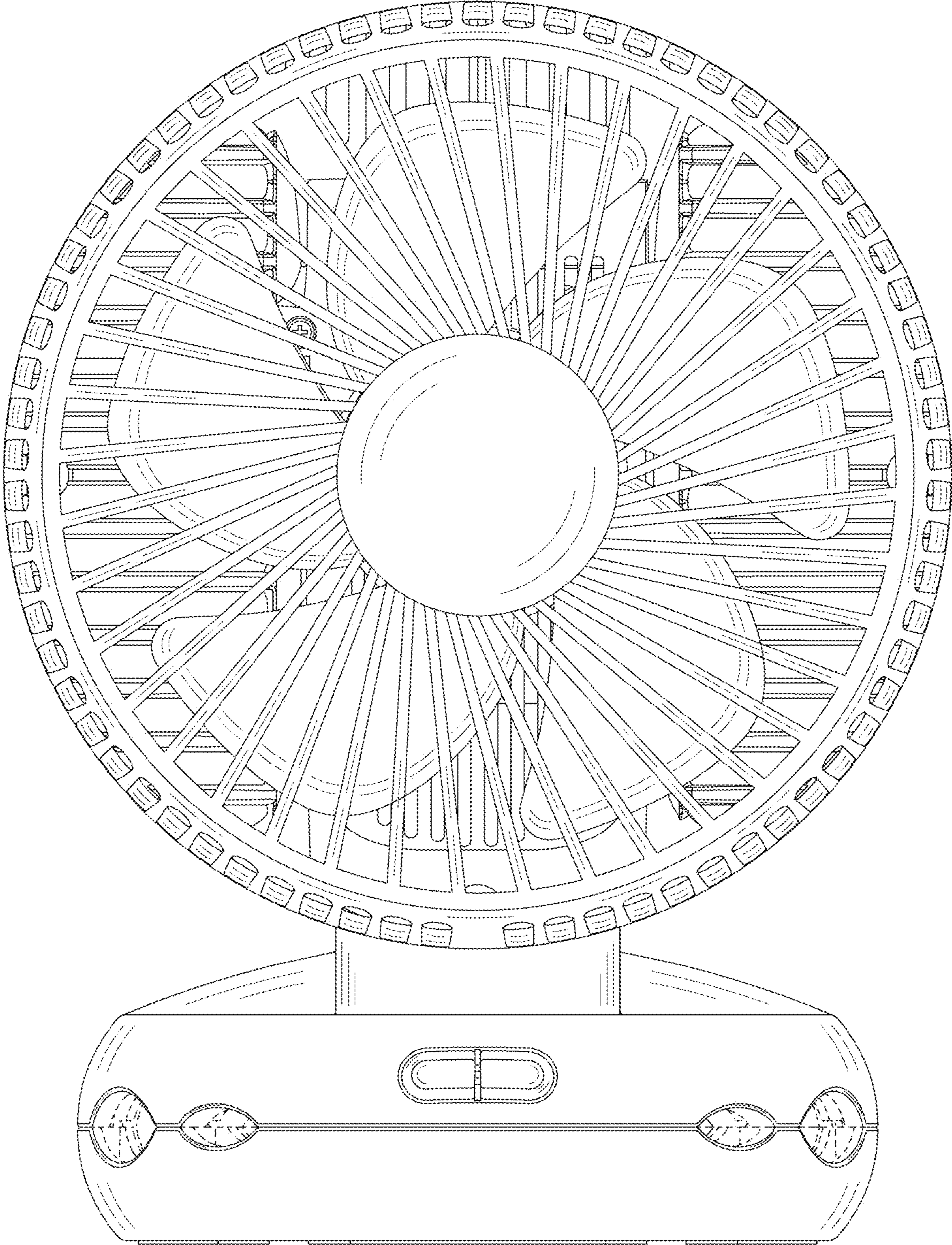


FIG. 1

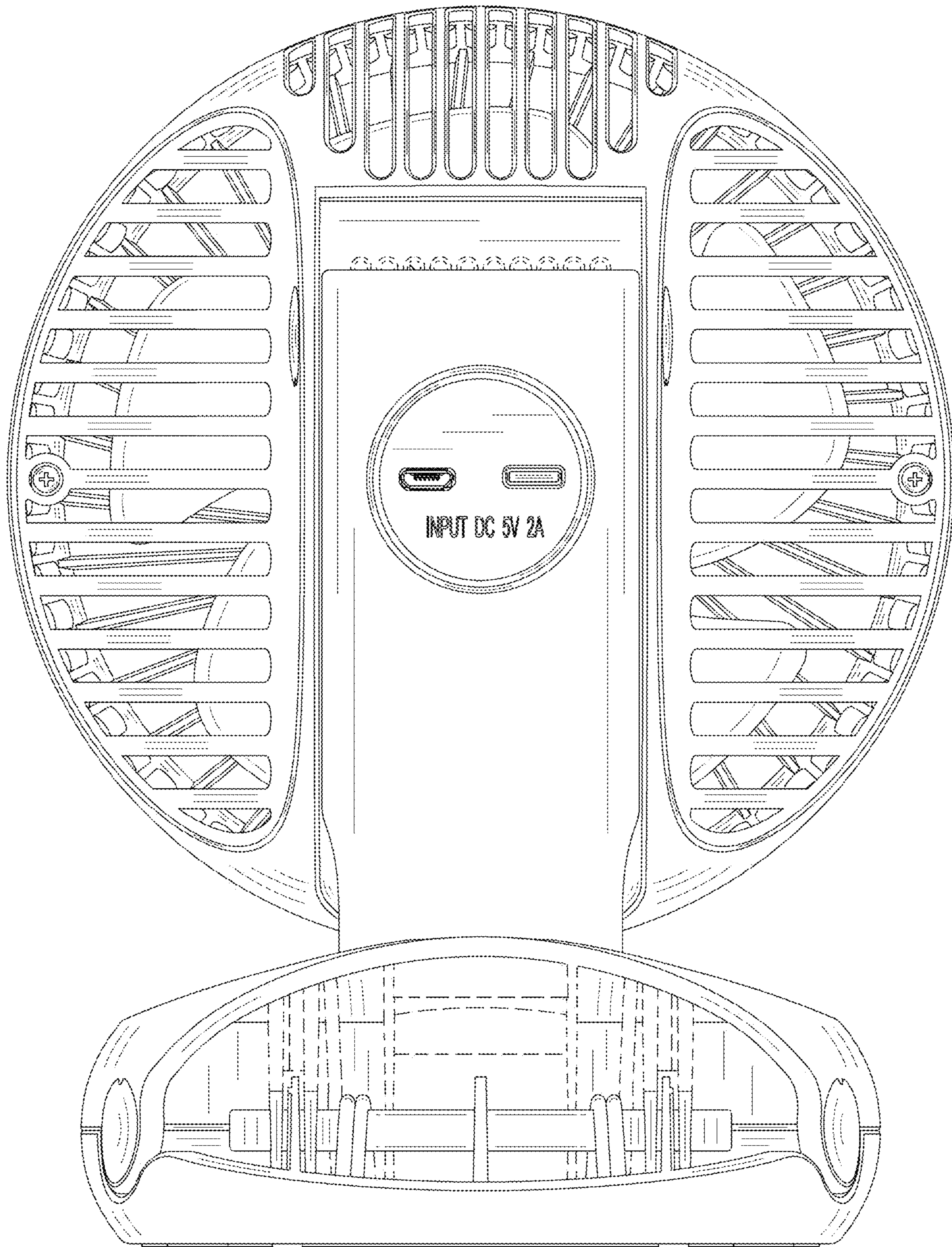


FIG. 2

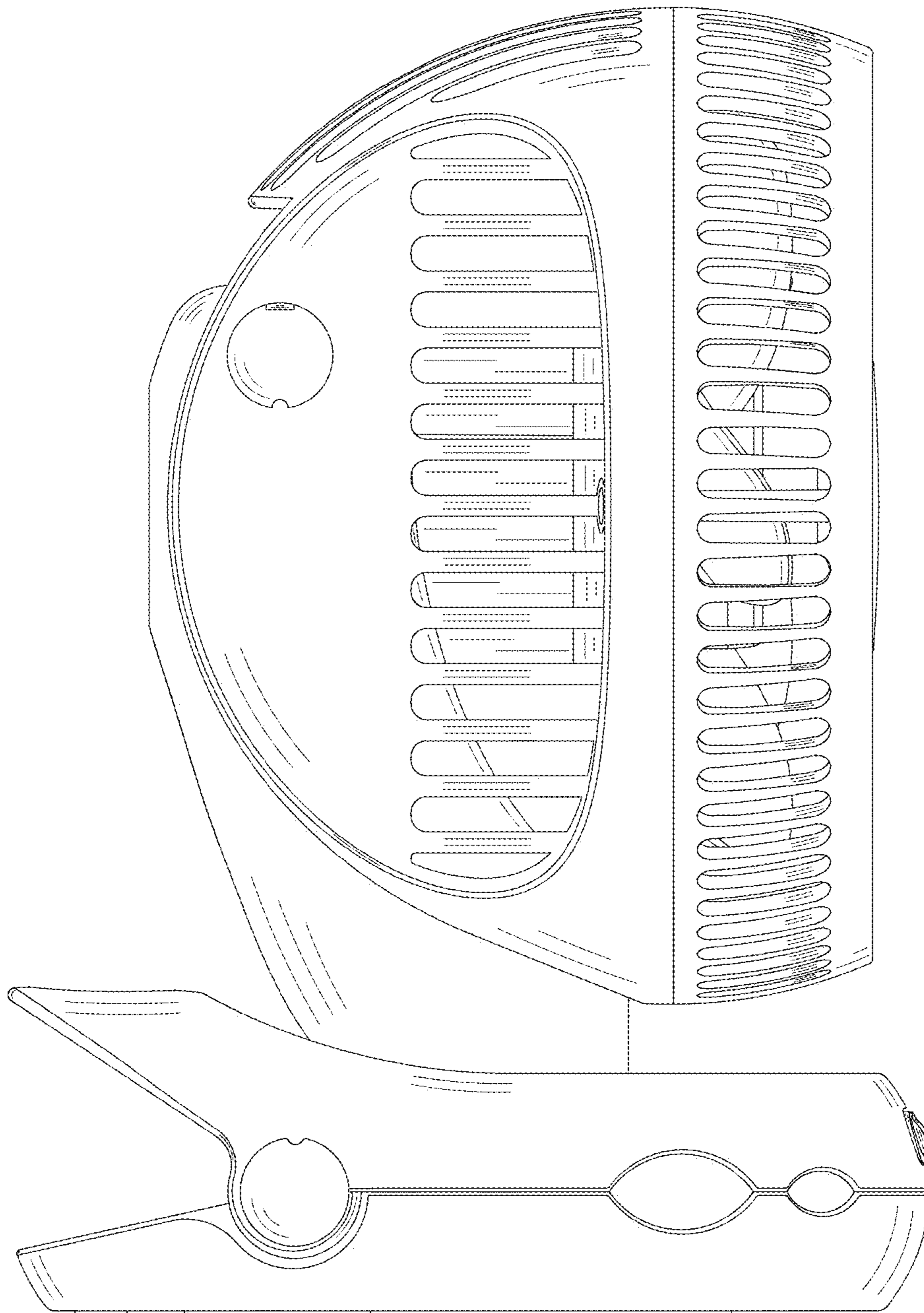


FIG. 3

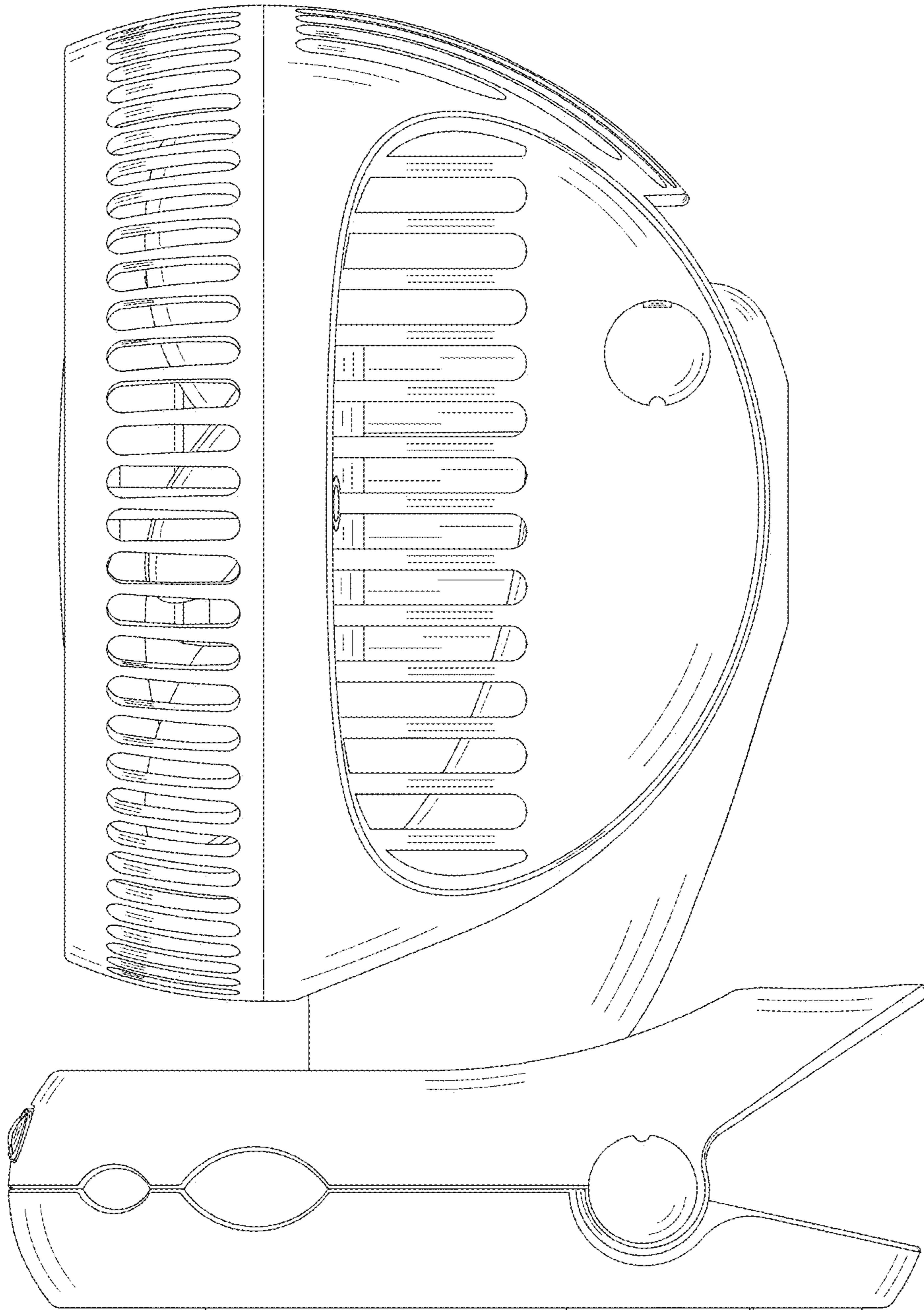


FIG. 4

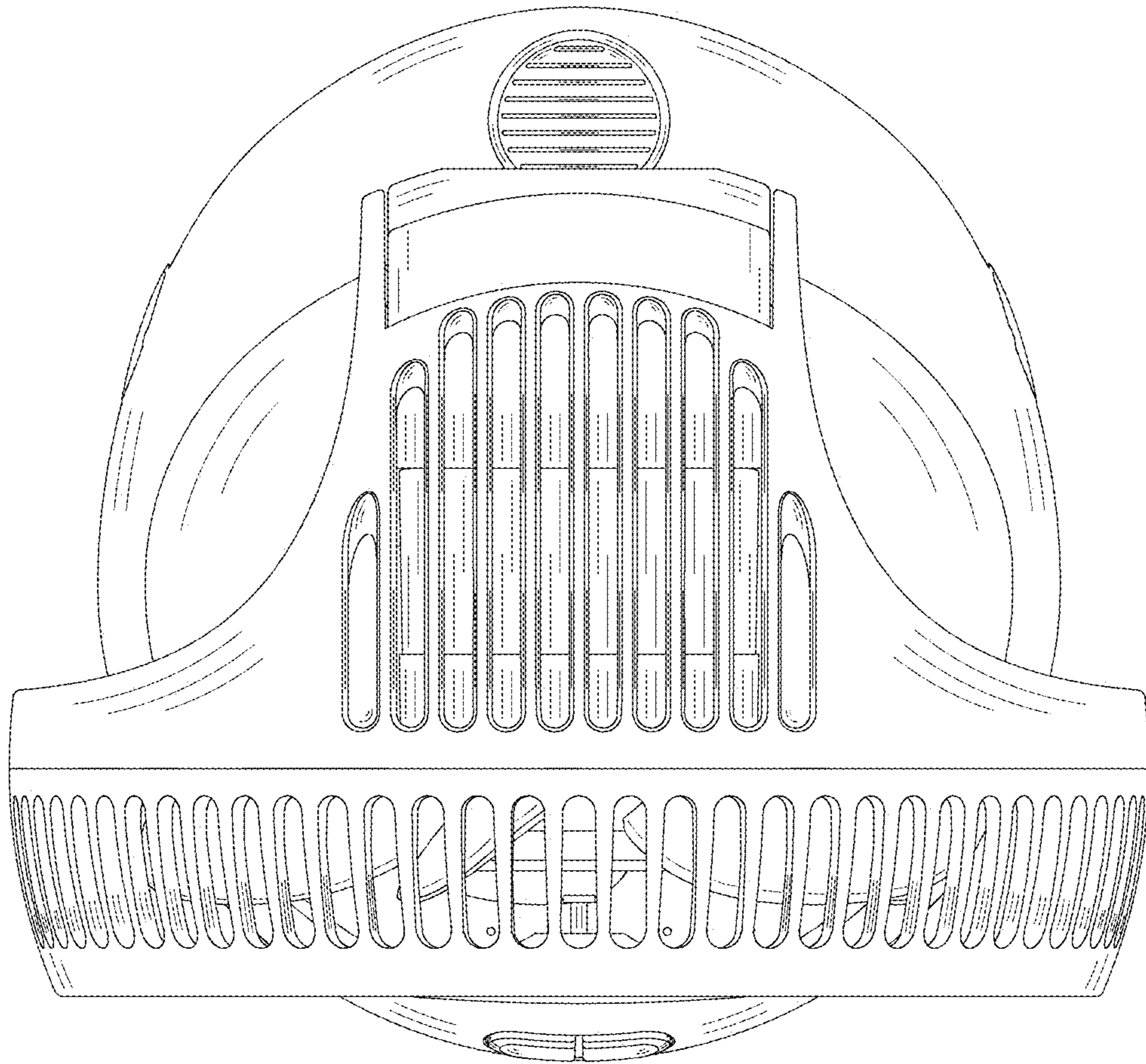


FIG. 5

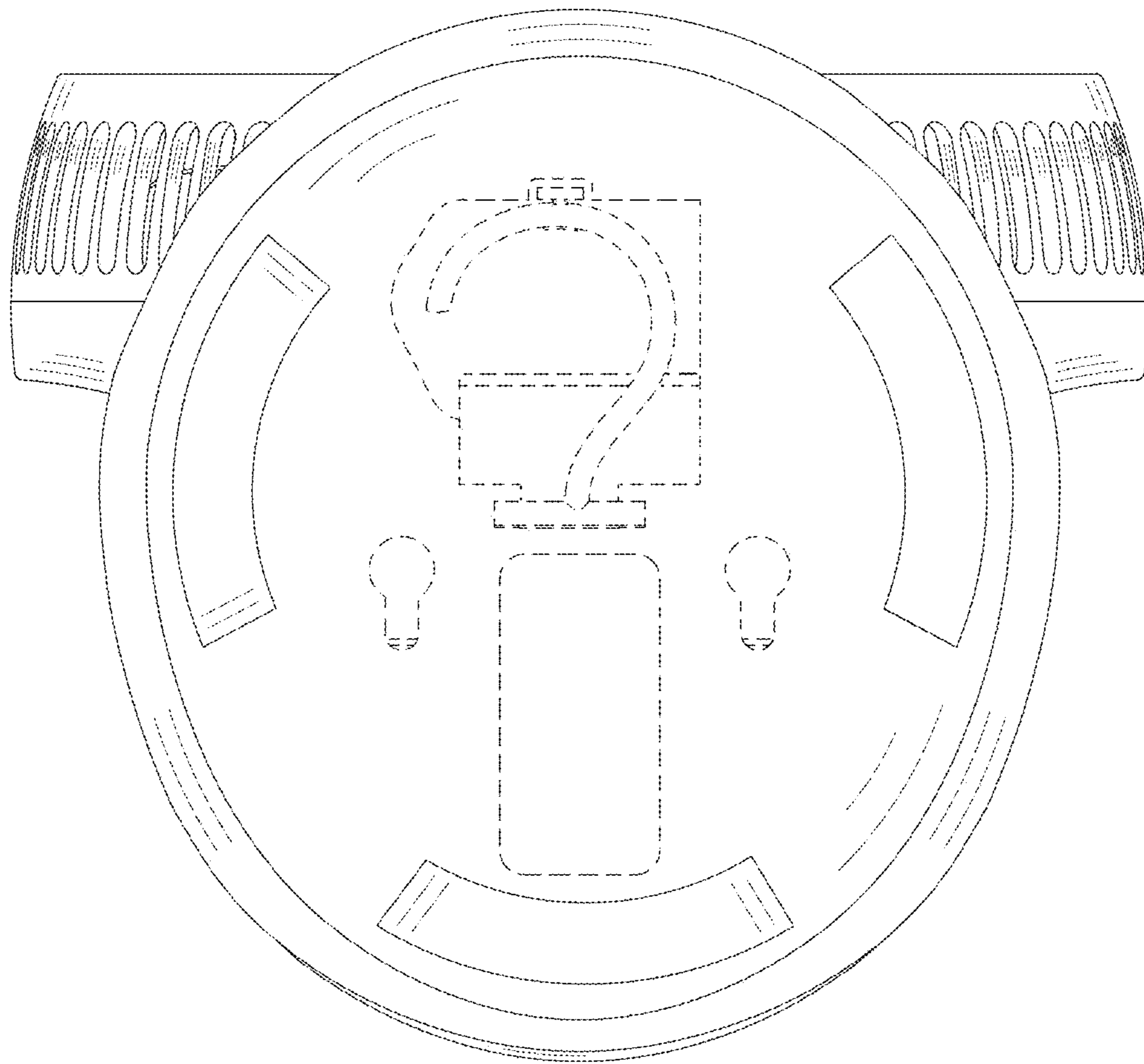


FIG. 6

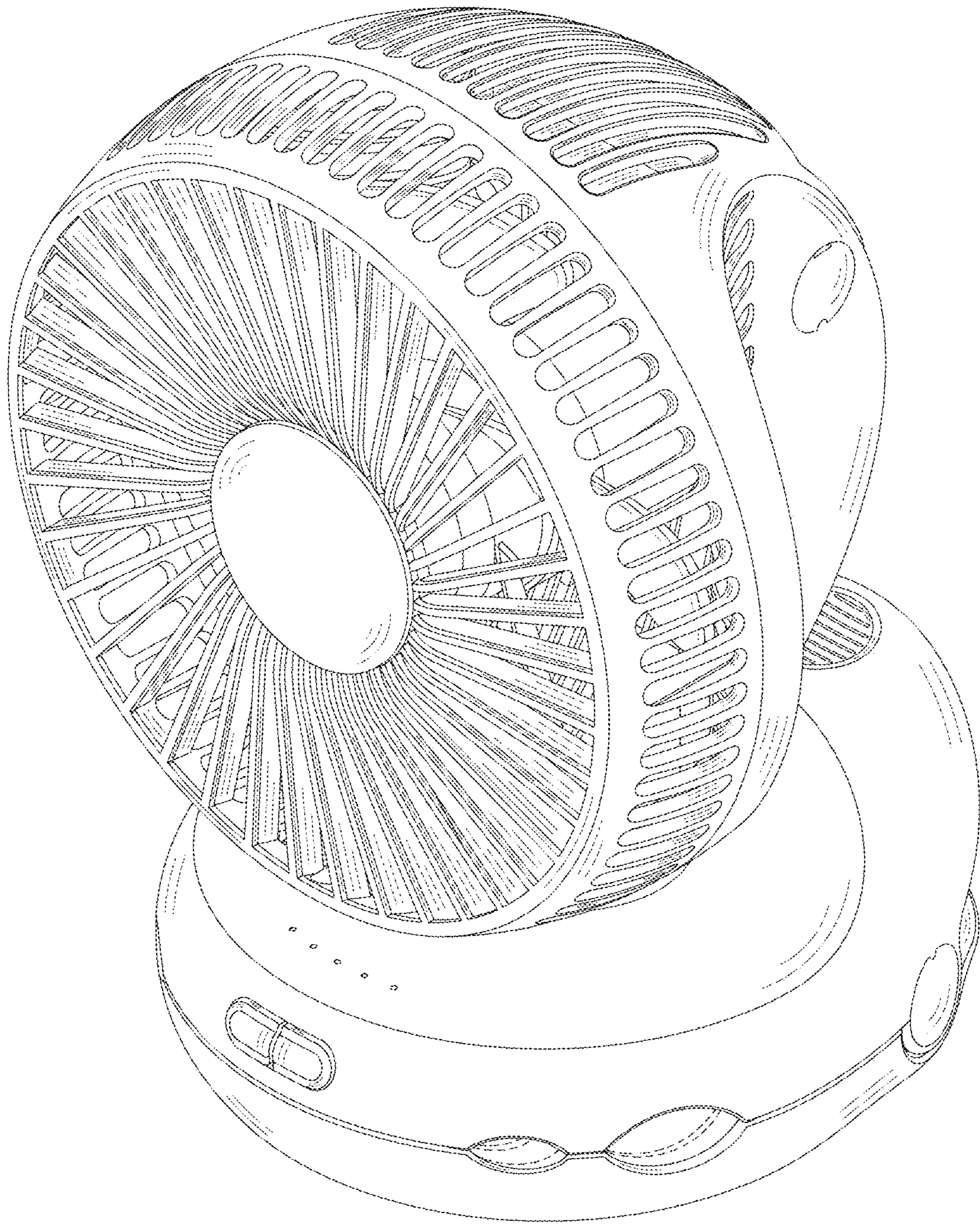


FIG. 7

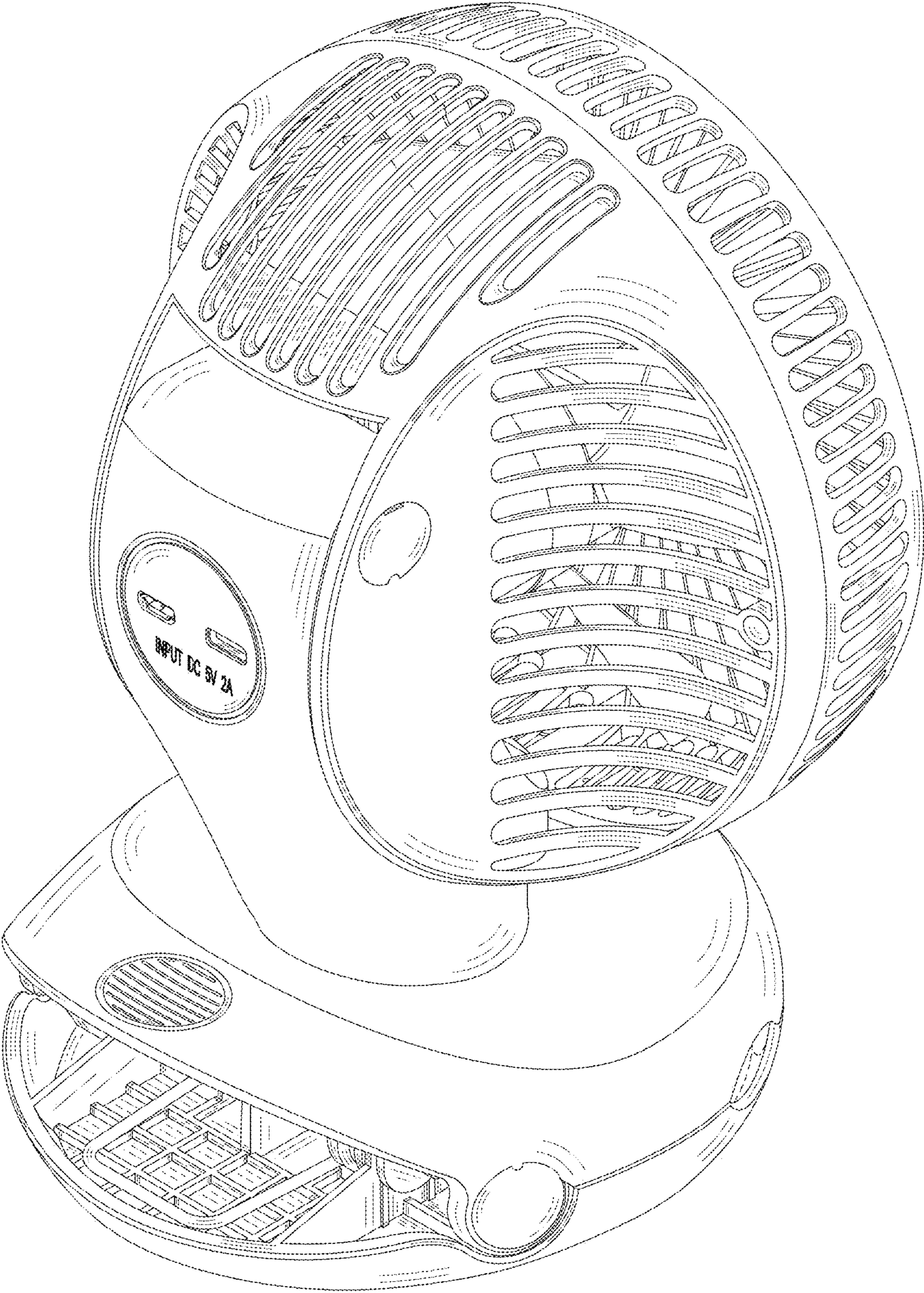


FIG. 8