



US00D948701S

(12) **United States Design Patent**  
**Liu**

(10) **Patent No.:** **US D948,701 S**

(45) **Date of Patent:** **\*\* Apr. 12, 2022**

- (54) **FAN**
- (71) Applicant: **Huijun Liu**, Shenzhen (CN)
- (72) Inventor: **Huijun Liu**, Shenzhen (CN)
- (\*\*) Term: **15 Years**
- (21) Appl. No.: **29/780,973**
- (22) Filed: **Apr. 27, 2021**
- (30) **Foreign Application Priority Data**  
  - Apr. 25, 2021 (EM) ..... 008517817
- (51) **LOC (13) Cl.** ..... **23-04**
- (52) **U.S. Cl.**  
  - USPC ..... **D23/379**; D22/122
- (58) **Field of Classification Search**  
  - USPC ..... D23/370, 371, 378–382, 385; D22/120,  
D22/122, 124
  - CPC ..... F24F 7/013; F24F 2221/20; F04D 29/281;  
F04D 25/105; F04D 25/08; F04D 25/084;  
F04D 29/703; A01M 29/34
  - See application file for complete search history.

D561,880 S *	2/2008	Radtke	.....	D23/328
D564,080 S *	3/2008	Chen	.....	D23/314
D654,979 S *	2/2012	Smith	.....	D22/120
8,490,325 B2 *	7/2013	Gargiulo	.....	A01M 29/34 43/137
D698,432 S *	1/2014	Herbst	.....	D23/379
D733,281 S *	6/2015	Herbst	.....	D23/379
D796,023 S	8/2017	Dou et al.		
D846,726 S	4/2019	Lewis		
D847,297 S *	4/2019	Hassman	.....	D22/122
D864,347 S *	10/2019	Li	.....	D22/122
D886,981 S *	6/2020	Steele Allen	.....	D23/379
D921,830 S *	6/2021	Liu	.....	D22/120
D933,802 S *	10/2021	Wang	.....	D23/379
2013/0067798 A1 *	3/2013	Keltner	.....	A01M 29/34 43/137

\* cited by examiner

*Primary Examiner* — Janice Hallmark

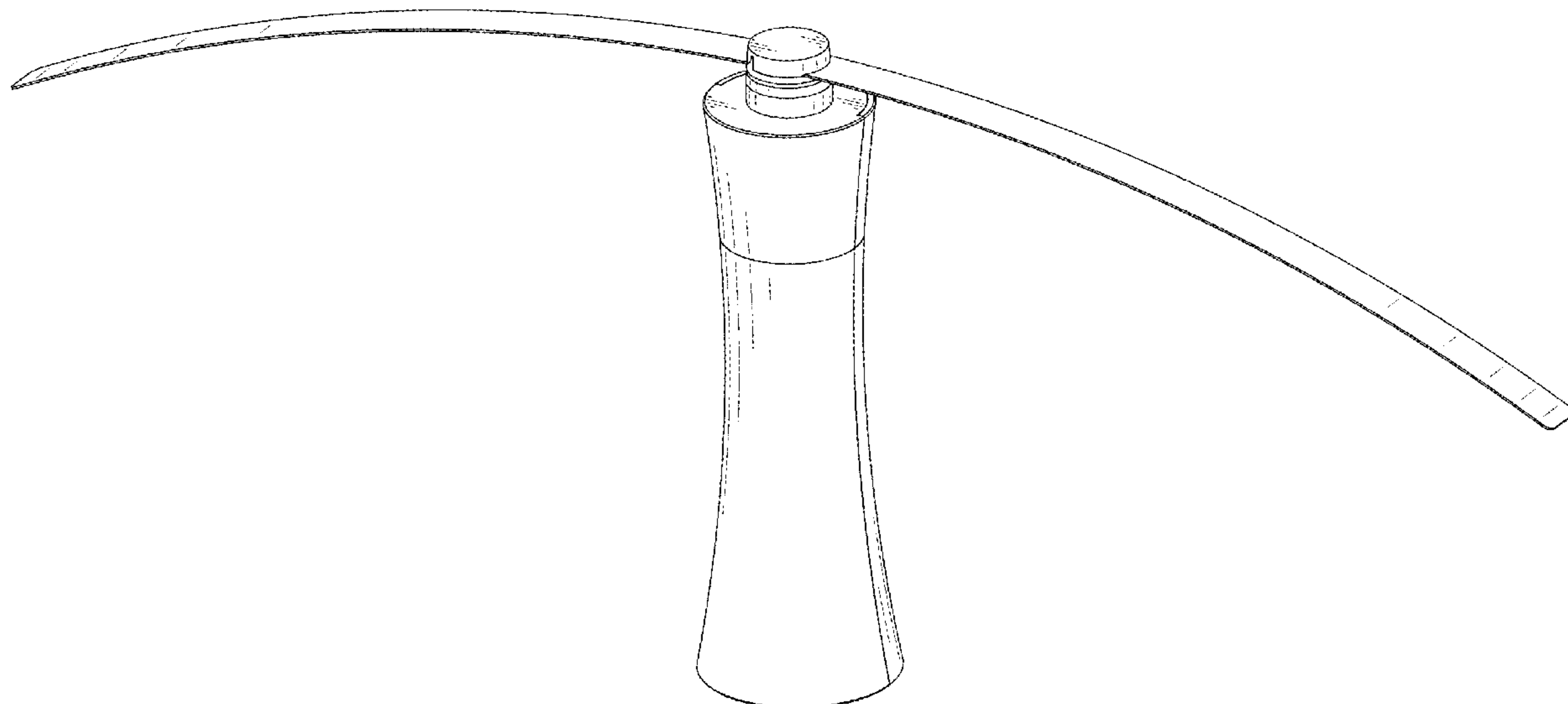
(57) **CLAIM**

The ornamental design for a fan, as shown and described.

**DESCRIPTION**

FIG. 1 is a perspective view of a fan showing my new design;  
 FIG. 2 is another perspective view thereof;  
 FIG. 3 is a front elevational view thereof;  
 FIG. 4 is a rear elevational view thereof;  
 FIG. 5 is a left side elevational view thereof;  
 FIG. 6 is a right side elevational view thereof;  
 FIG. 7 is a top plan view thereof; and,  
 FIG. 8 is a bottom plan view thereof.  
 The broken lines in the drawings depict portions of the fan that form no part of the claimed design.

**1 Claim, 8 Drawing Sheets**



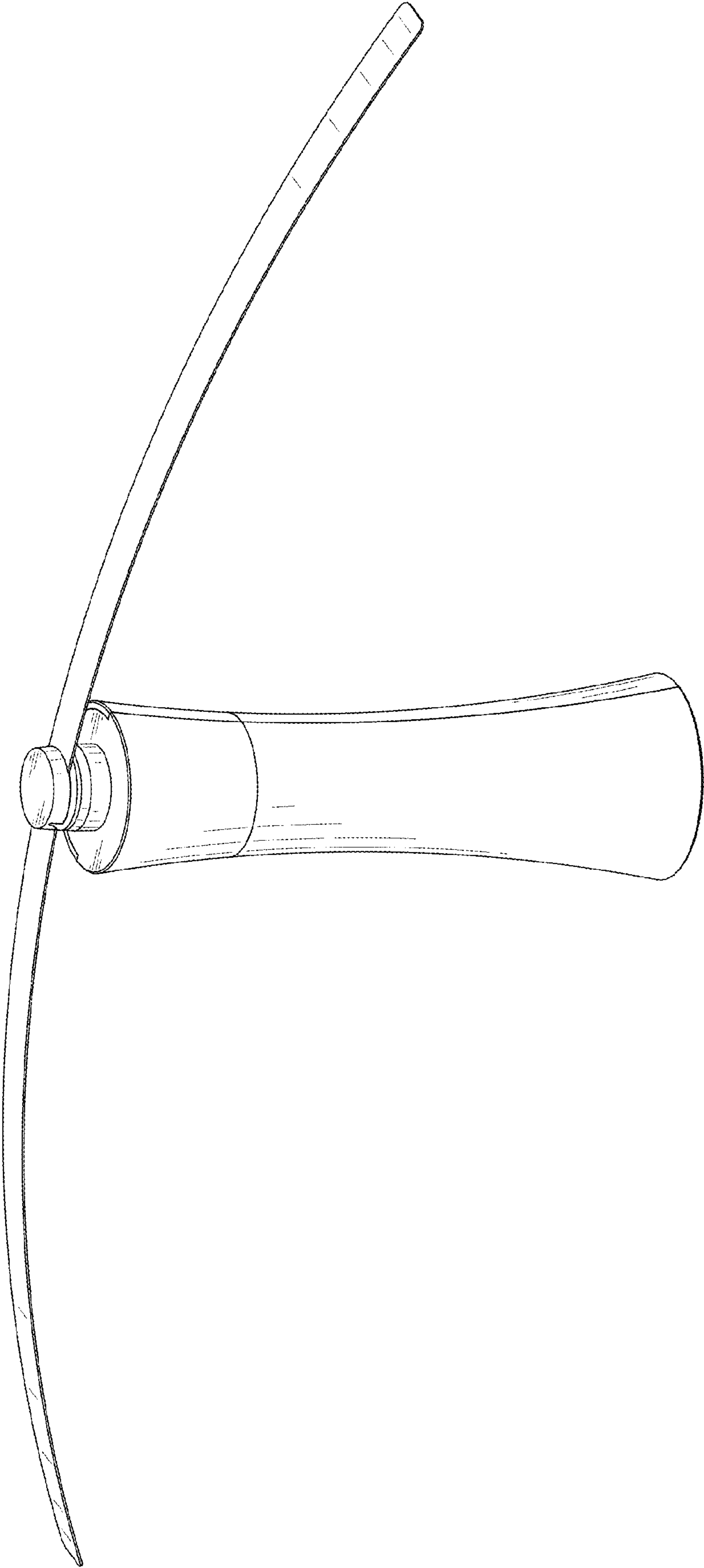


FIG. 1

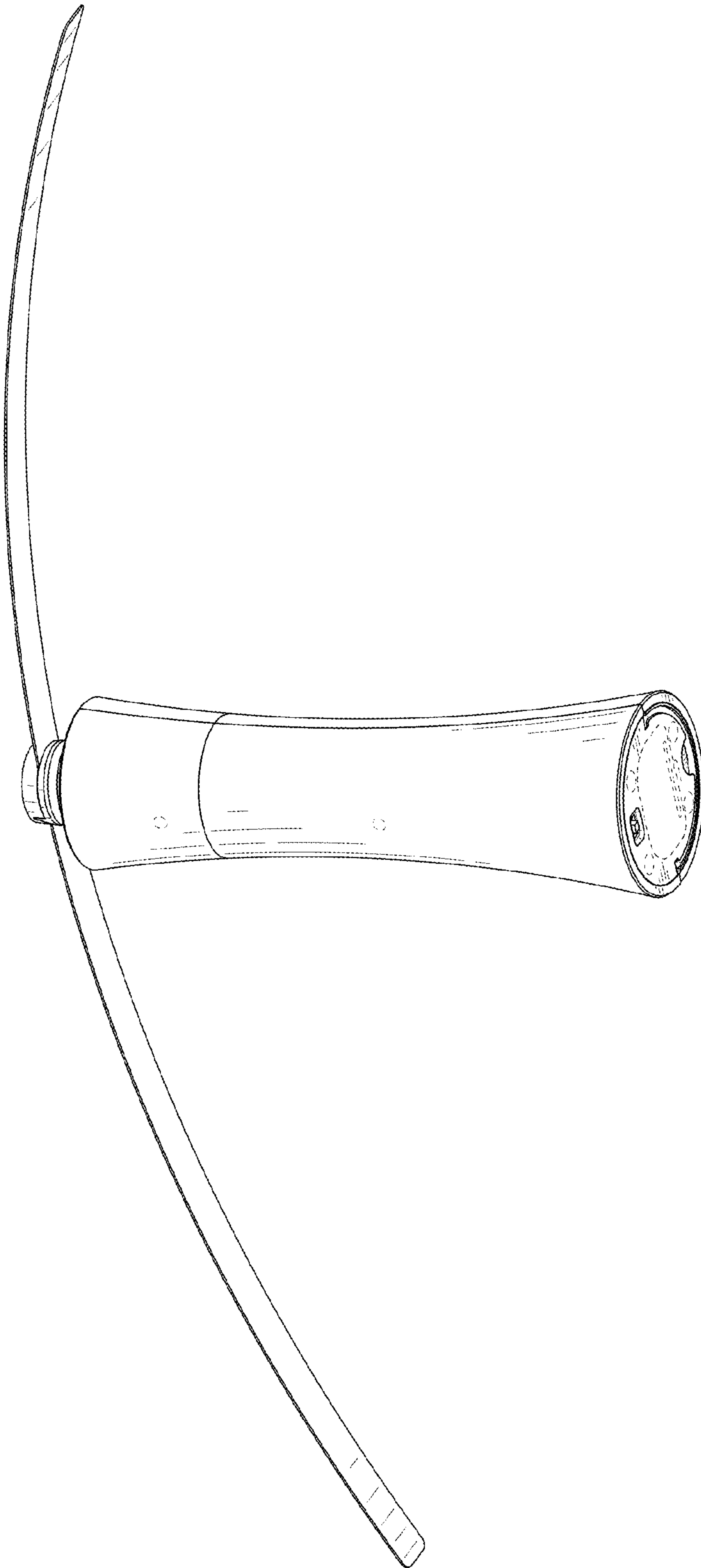


FIG. 2

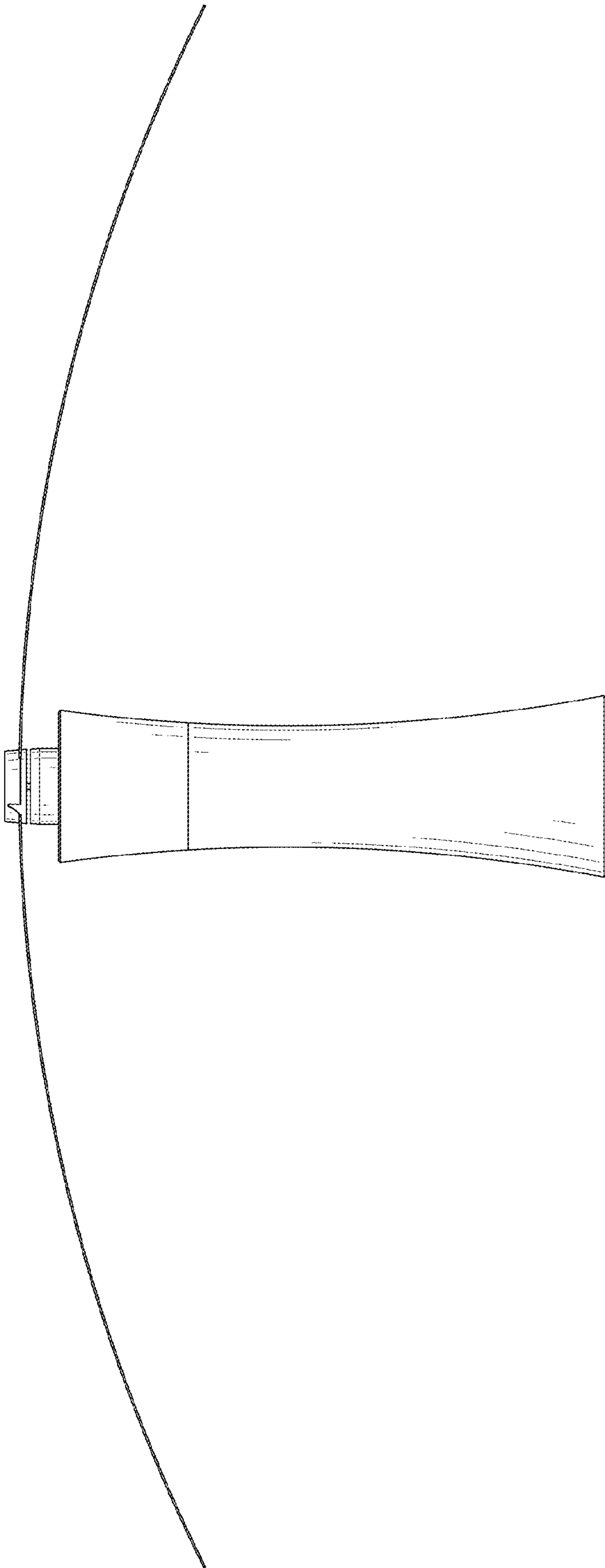


FIG. 3

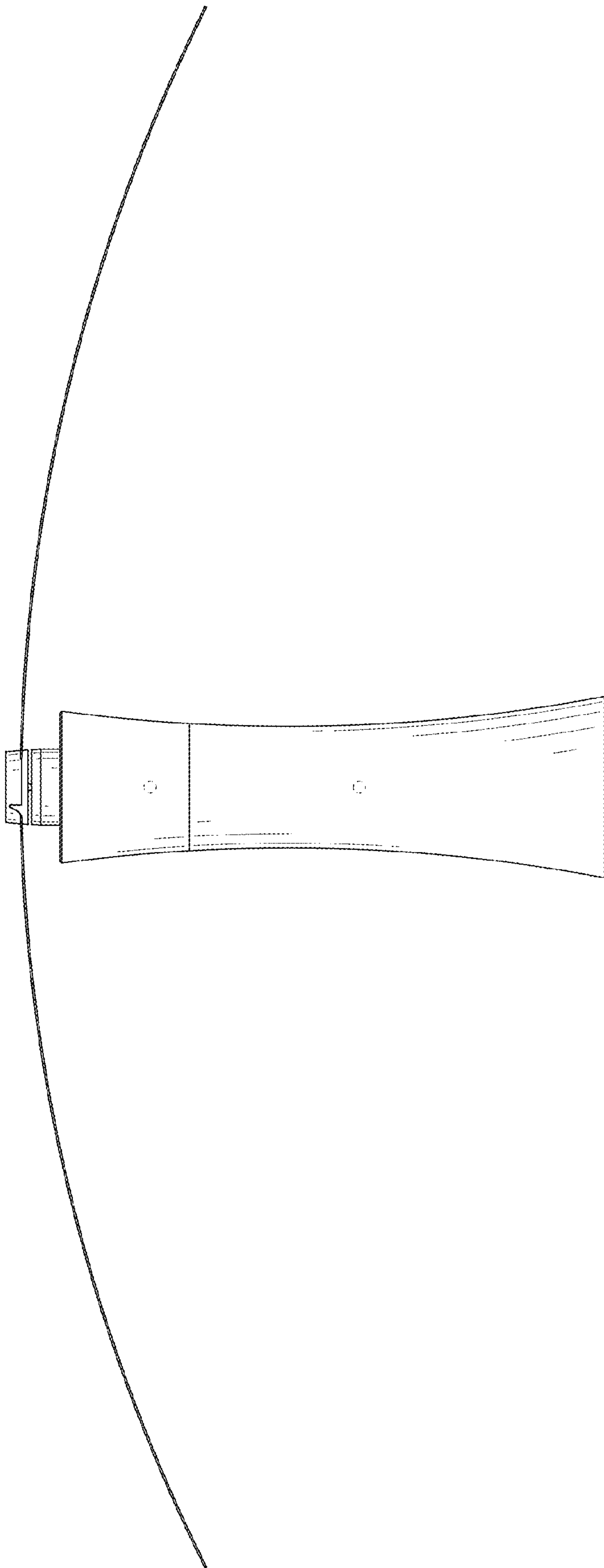


FIG. 4

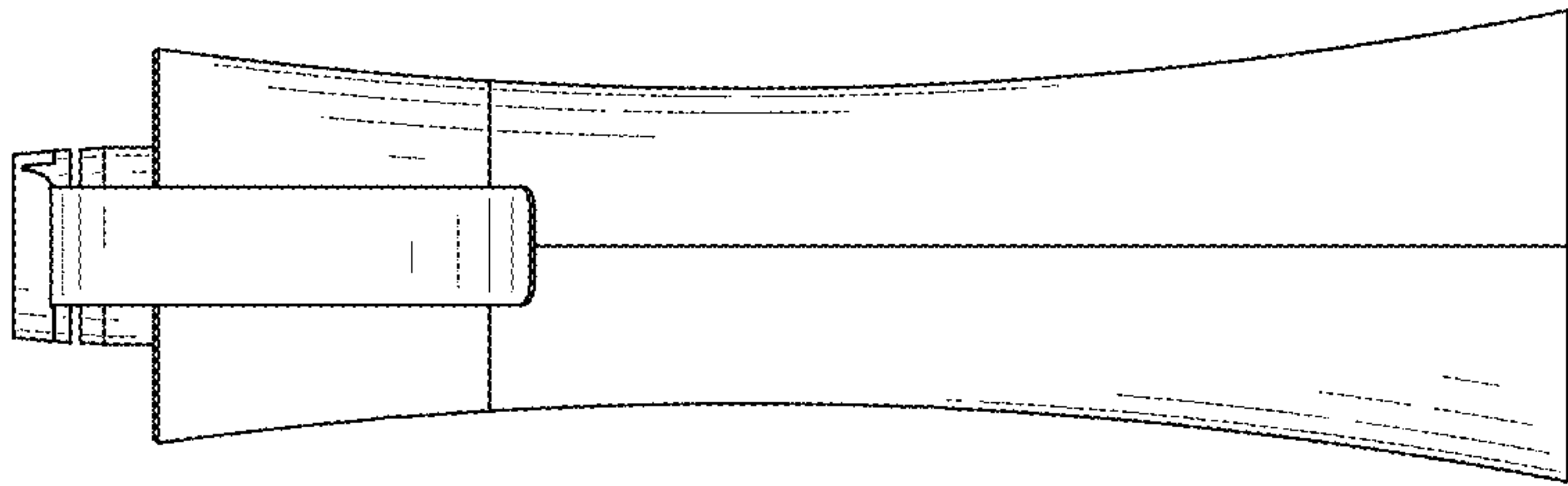


FIG. 5

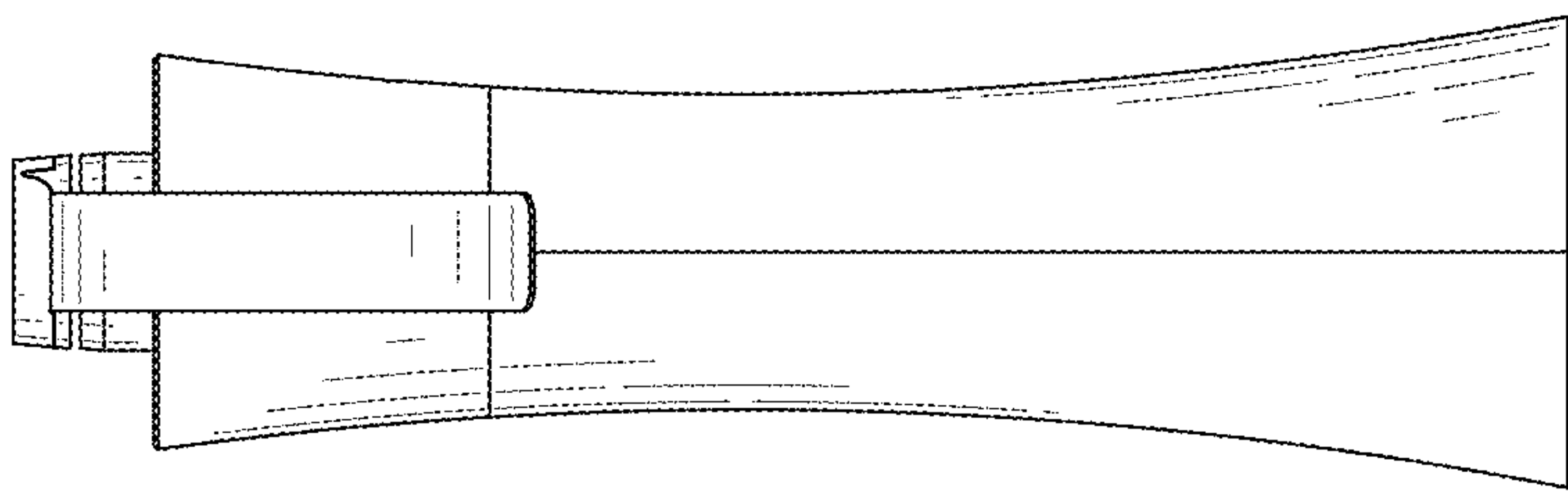


FIG. 6

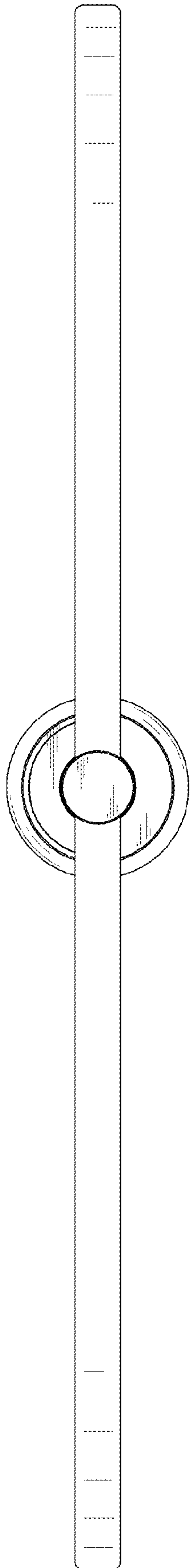


FIG. 7



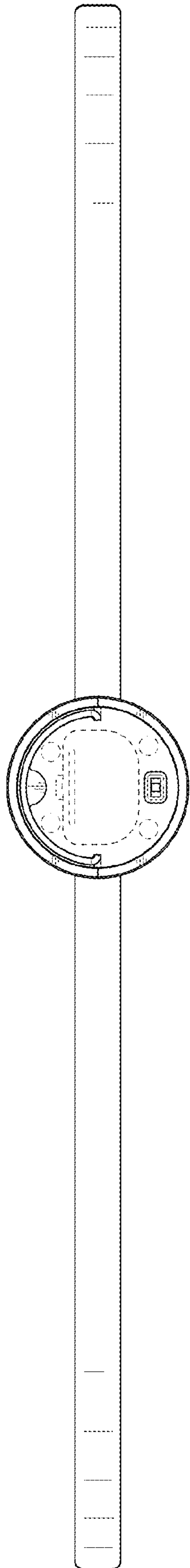


FIG. 8