



US00D948700S

(12) **United States Design Patent**
McRoberts

(10) **Patent No.:** **US D948,700 S**

(45) **Date of Patent:** **** Apr. 12, 2022**

(54) **CEILING FAN**

(71) Applicant: **Hunter Fan Company**, Memphis, TN
(US)

(72) Inventor: **Claire Bernice McRoberts**, La Jolla,
CA (US)

(73) Assignee: **Hunter Fan Company**, Memphis, TN
(US)

(**) Term: **15 Years**

(21) Appl. No.: **29/741,066**

(22) Filed: **Jul. 9, 2020**

(51) **LOC (13) Cl.** **23-04**

(52) **U.S. Cl.**
USPC **D23/377**; D26/59

(58) **Field of Classification Search**
USPC D23/370, 377, 379, 385, 411–414;
D26/59
CPC F04D 25/088; F04D 29/38; F04D 29/384;
F04D 29/386; F21V 33/0096
See application file for complete search history.

(56) **References Cited**

U.S. PATENT DOCUMENTS

D430,930 S	9/2000	Zuege	
D603,954 S *	11/2009	Curtin	D23/411
D710,489 S *	8/2014	Shurtleff	D23/377
D710,490 S	8/2014	Shurtleff	
D779,049 S *	2/2017	Wang	D23/385
D801,516 S *	10/2017	Wang	D23/413
D804,638 S	12/2017	Guthrie	
D810,919 S *	2/2018	Haggar	D23/377
D814,011 S	3/2018	McRoberts et al.	
D818,104 S *	5/2018	Holmes	D23/377
D834,172 S *	11/2018	Guthrie	D23/411
D838,357 S *	1/2019	Haggar	D23/411
D859,628 S *	9/2019	Yang	D23/377
D861,218 S *	9/2019	Yang	D26/59

D878,652 S *	3/2020	McRoberts	D26/59
D886,345 S *	6/2020	O'Connell	D26/59
D888,221 S *	6/2020	O'Connell	D23/377
D889,735 S *	7/2020	Holmes	D26/144
D890,319 S *	7/2020	Kraemer	D23/377
D904,597 S *	12/2020	O'Connell	D23/411

(Continued)

OTHER PUBLICATIONS

<https://www.hunterfan.com/ceiling-fans/coral-bay-outdoor-with-light-52-inch-fan516>, Hunter Fan Coral Bay Outdoor Ceiling Fan with Light 52 Inch, Item No. 59420, accessed May 9, 2019.

(Continued)

Primary Examiner — Sharon S Oum

(74) *Attorney, Agent, or Firm* — McGarry Bair PC

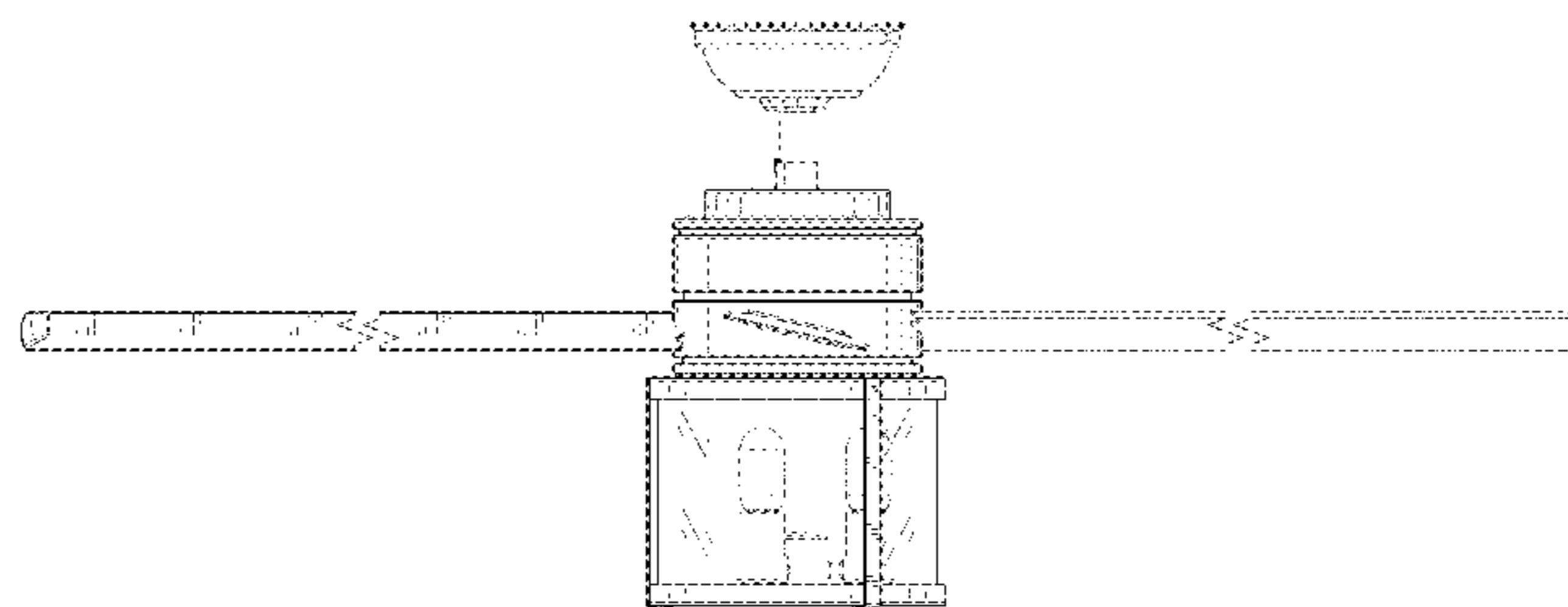
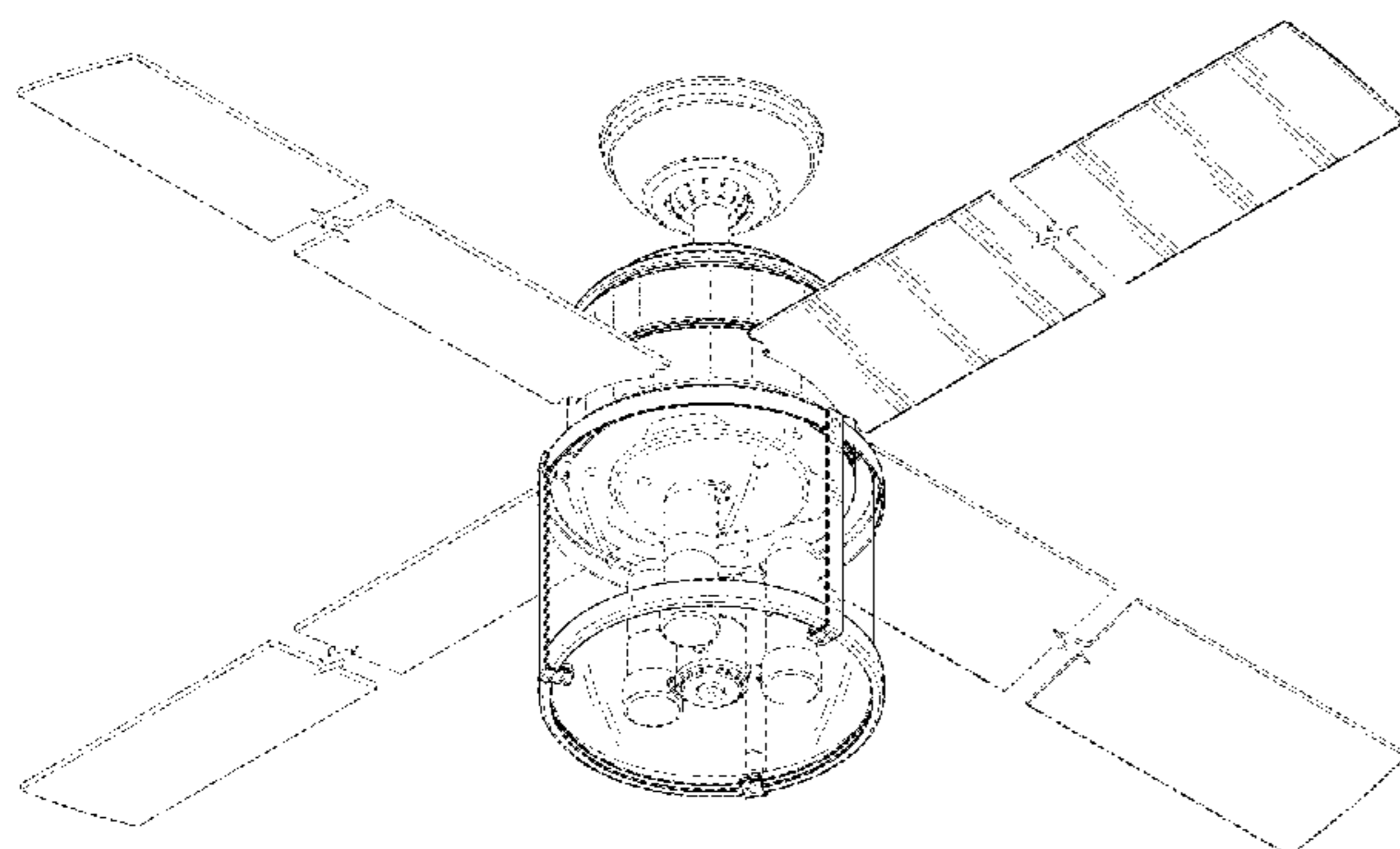
(57) **CLAIM**

The ornamental design for a ceiling fan, as shown and described.

DESCRIPTION

FIG. 1 is a top perspective view of a ceiling fan, showing my new design;
FIG. 2 is a bottom perspective view thereof;
FIG. 3 is a top view thereof;
FIG. 4 is a bottom view thereof;
FIG. 5 is a front view thereof;
FIG. 6 is a left side view thereof;
FIG. 7 is a rear side view thereof; and,
FIG. 8 is a right view thereof.
Portions of the ceiling fan shown in broken lines form no part of the claimed design. Jagged broken lines represent broken away symbols and form no part of the claimed design. The ceiling fan blades are shown with a symbolic break in their length. The appearance of any portion of the ceiling fan blades between jagged broken lines forms no part of the claimed design.

1 Claim, 8 Drawing Sheets



(56)

References Cited

U.S. PATENT DOCUMENTS

10,995,769 B2 * 5/2021 Norwood F04D 29/384
D921,180 S * 6/2021 McRoberts D23/377

OTHER PUBLICATIONS

<https://www.hunterfan.com/ceiling-fans/hepburn-with-led-light-52-inch-fam791>, Hunter Fan Hepburn with LED Light 52 inch Ceiling Fan, Item No. 59321, accessed May 9, 2019.

<https://www.hunterfan.com/ceiling-fans/maybeck-with-led-light-52-inch-fam792>; Hunter Fan Maybeck with LED Light 52 Inch Ceiling Fan, Item No. 59317, accessed May 9, 2019.

<https://www.hunterfan.com/ceiling-fans/key-biscayne-outdoor-with-light-54-inch-fam581>, Hunter Fan Key Biscayne Outdoor Ceiling Fan with Light 54 Inch, Item No. 59273, accessed May 9, 2019.

<http://www.homedepot.com/p/Hampton-Bay-Tipton-II-52-in-Oil-Rubbed-Bronze-Ceiling-Fan-AL995-ORB/203786413>, Hampton Bay Tipton II 52 in. Indoor Oil-Rubbed Bronze Ceiling Fan with Light Kit and Remote, Model No. Ay 9, 2019995-ORB, accessed May 9, 2019.

<https://www.craftmade.com/stockman-stk52agv4>, Craftmade Stockman 52" Ceiling Fan in Aged Galvanized, Model No. STK52AGV4, accessed May 9, 2019.

<http://www.montecarlofans.com/32464/52-Dakota-Fan-Espresso-5DKR52ESD.html>, Monte Carlo Dakota 52" Ceiling Fan with Light Kit, Product No. 5DKR52ESD, accessed May 9, 2019.

* cited by examiner

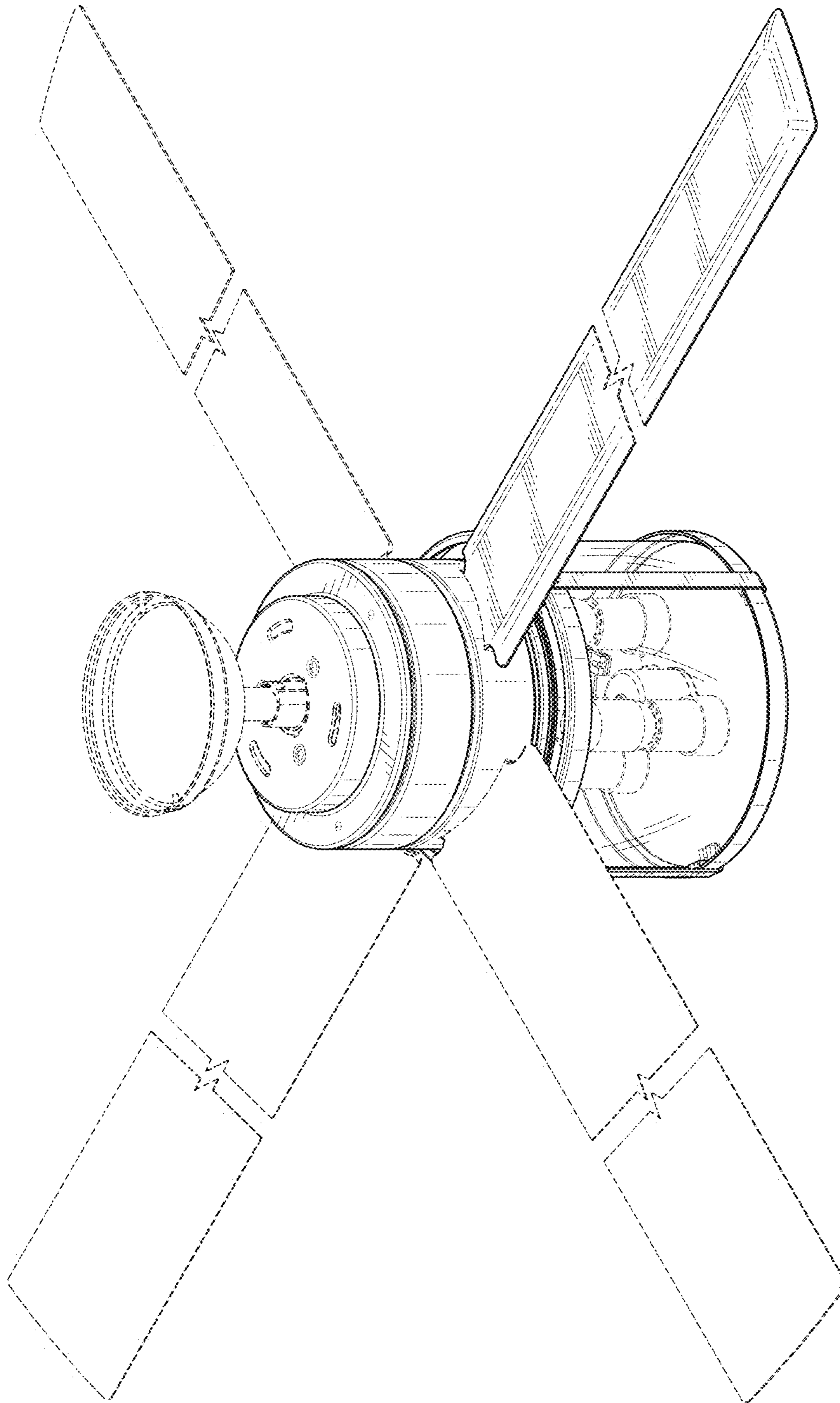


FIG. 1

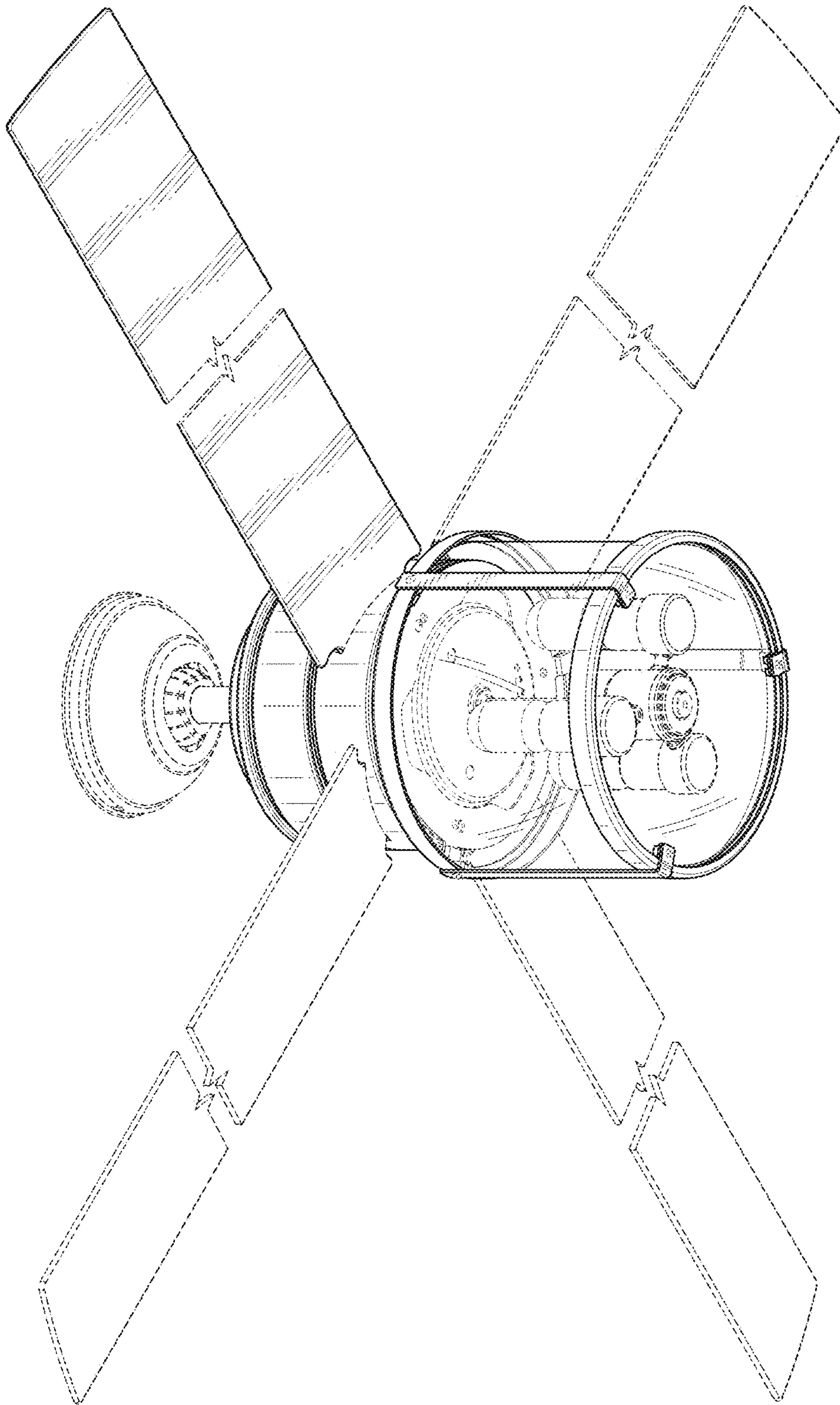


FIG. 2

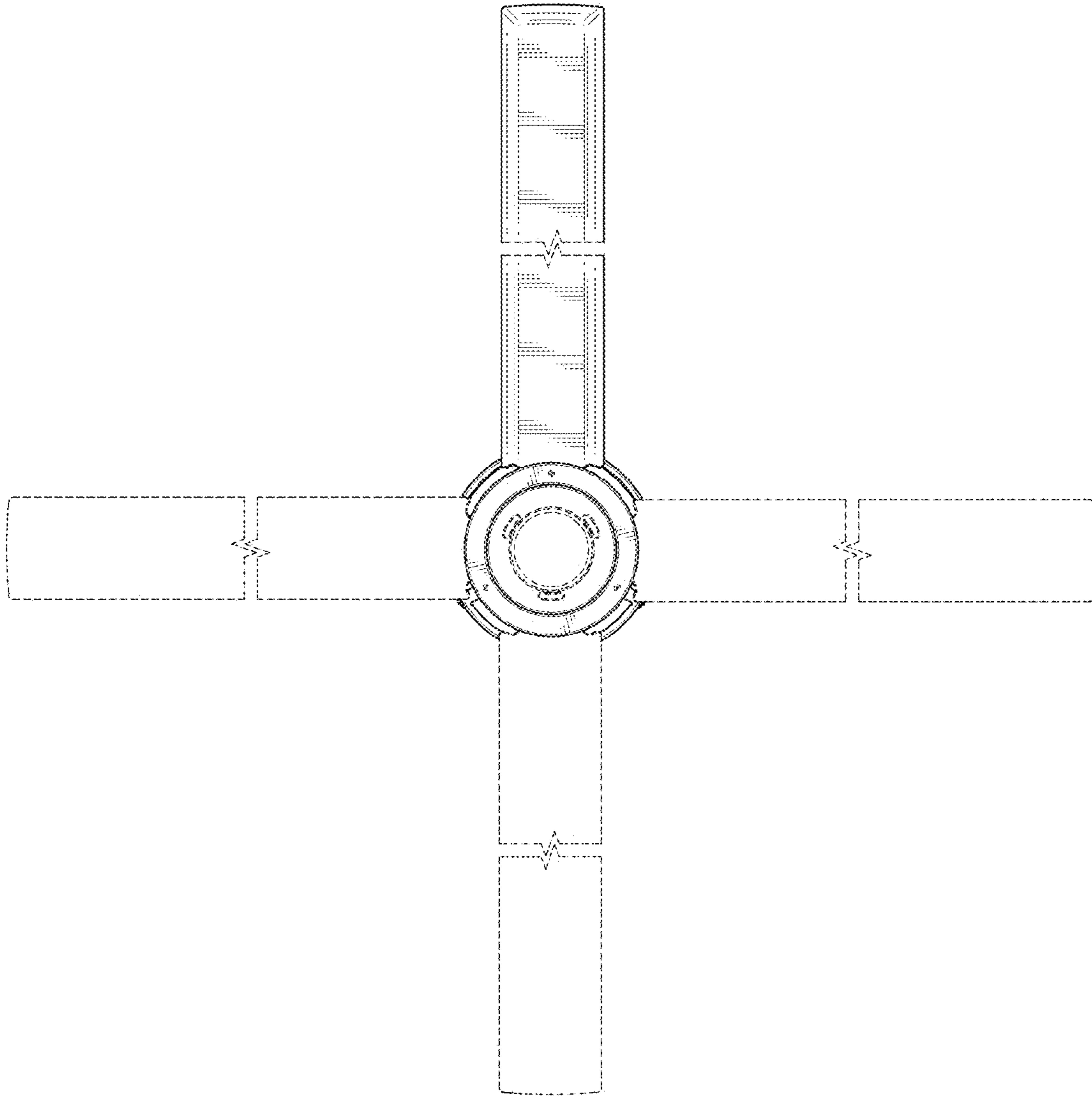


FIG. 3

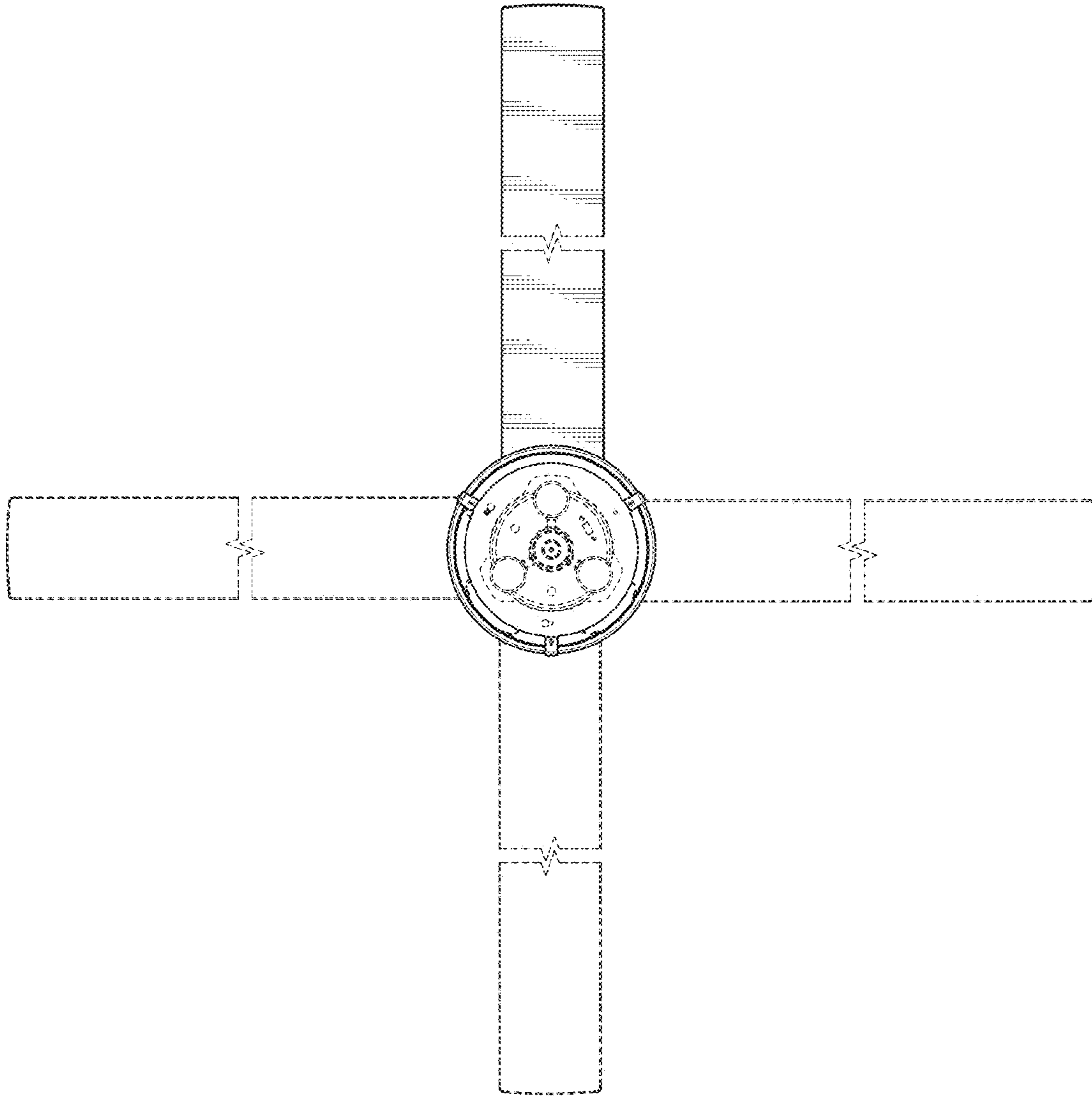


FIG. 4

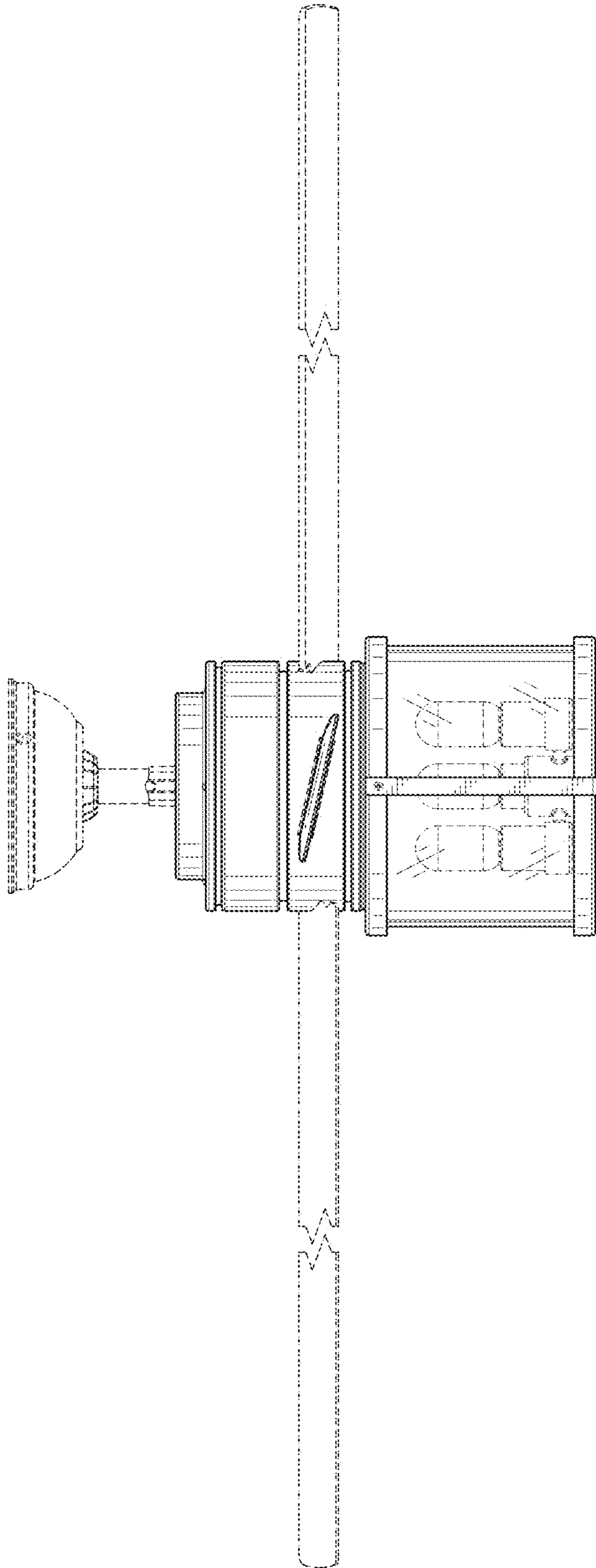


FIG. 5

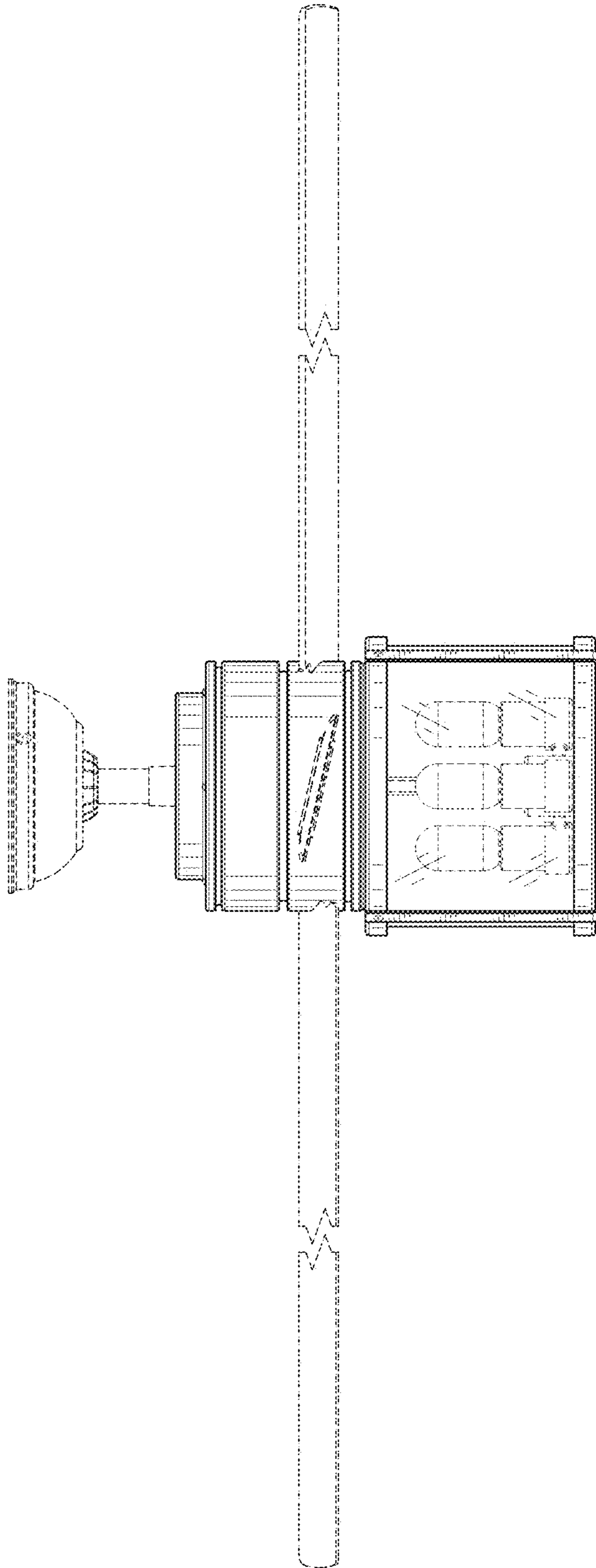


FIG. 6

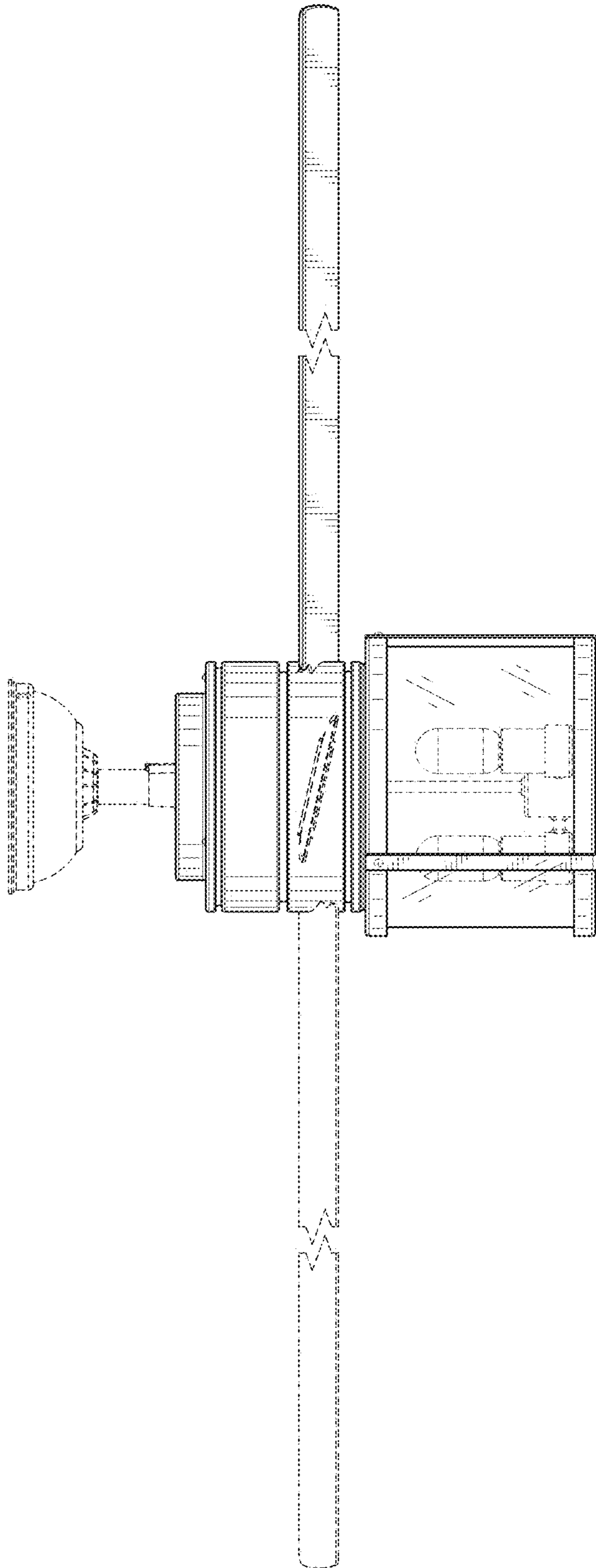


FIG. 7

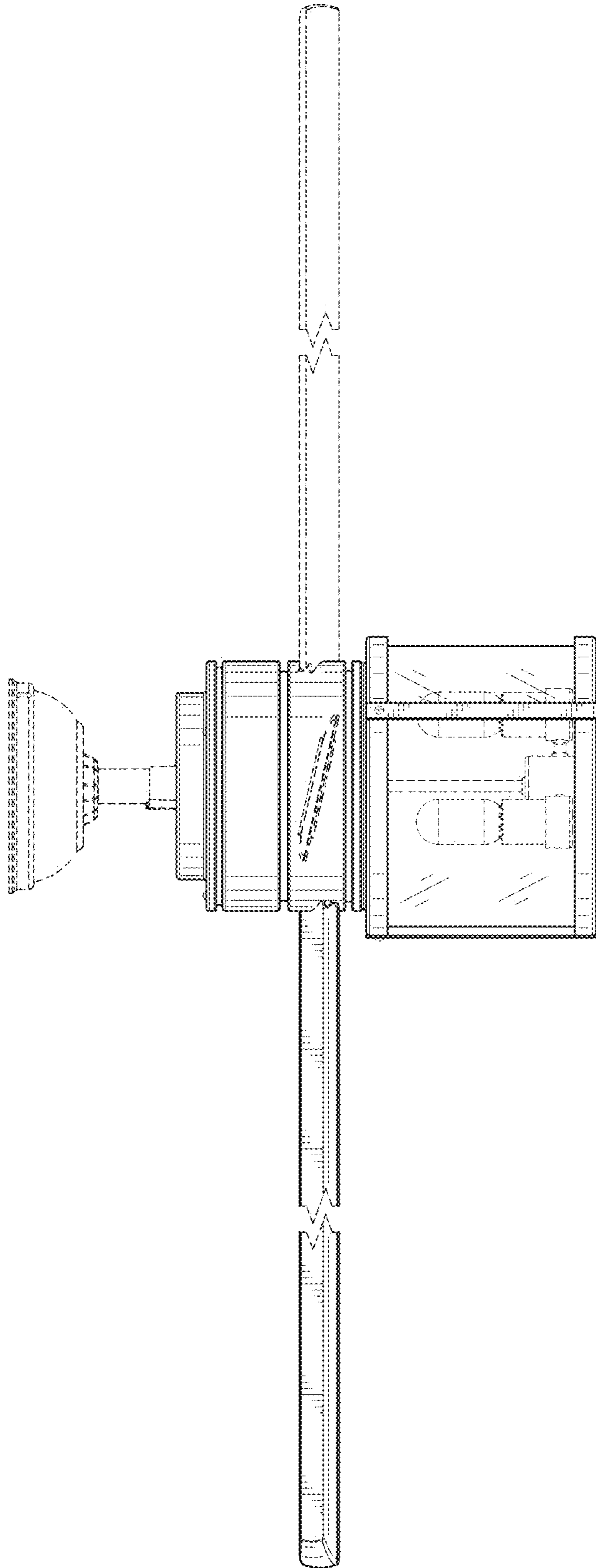


FIG. 8