

US00D948698S

(12) **United States Design Patent**
Huang et al.

(10) **Patent No.:** **US D948,698 S**

(45) **Date of Patent:** **** Apr. 12, 2022**

(54) **PANEL FOR A VENT FAN**

D771,231 S * 11/2016 Chen D23/388
D816,825 S * 5/2018 Schanzenbach D23/371
D829,320 S * 9/2018 Terai D23/387

(71) Applicant: **JIN XU HEALTH-LIFE COMPANY LIMITED**, Taichung (TW)

(72) Inventors: **Tien-Tsai Huang**, Taichung (TW);
Min-Hua Lin, Taichung (TW)

(**) Term: **15 Years**

(21) Appl. No.: **29/727,195**

(22) Filed: **Mar. 9, 2020**

(51) **LOC (13) Cl.** **23-04**

(52) **U.S. Cl.**
USPC **D23/371**; D23/412

(58) **Field of Classification Search**
USPC D23/351, 353, 354, 370–376, 385, 387,
D23/388, 393, 395, 411, 412
CPC F24F 13/082; H04R 1/028
See application file for complete search history.

(56) **References Cited**

U.S. PATENT DOCUMENTS

D180,727 S * 8/1957 Bourner D23/385
D587,797 S * 3/2009 Blanchard D23/370
D593,193 S * 5/2009 Jackson D23/371
7,651,390 B1 * 1/2010 Profeta F24F 13/06
454/307
D761,411 S * 7/2016 Schanzenbach D23/371

OTHER PUBLICATIONS

Ventilation fan overseal, Application No. 201530352923, application date Sep. 14, 2015, date published Mar. 2, 2016, published in CN, site visited Dec. 17, 2021, available at www.orbit.com.*

* cited by examiner

Primary Examiner — Sharon S Oum

(74) *Attorney, Agent, or Firm* — Egbert, McDaniel & Swartz, PLLC

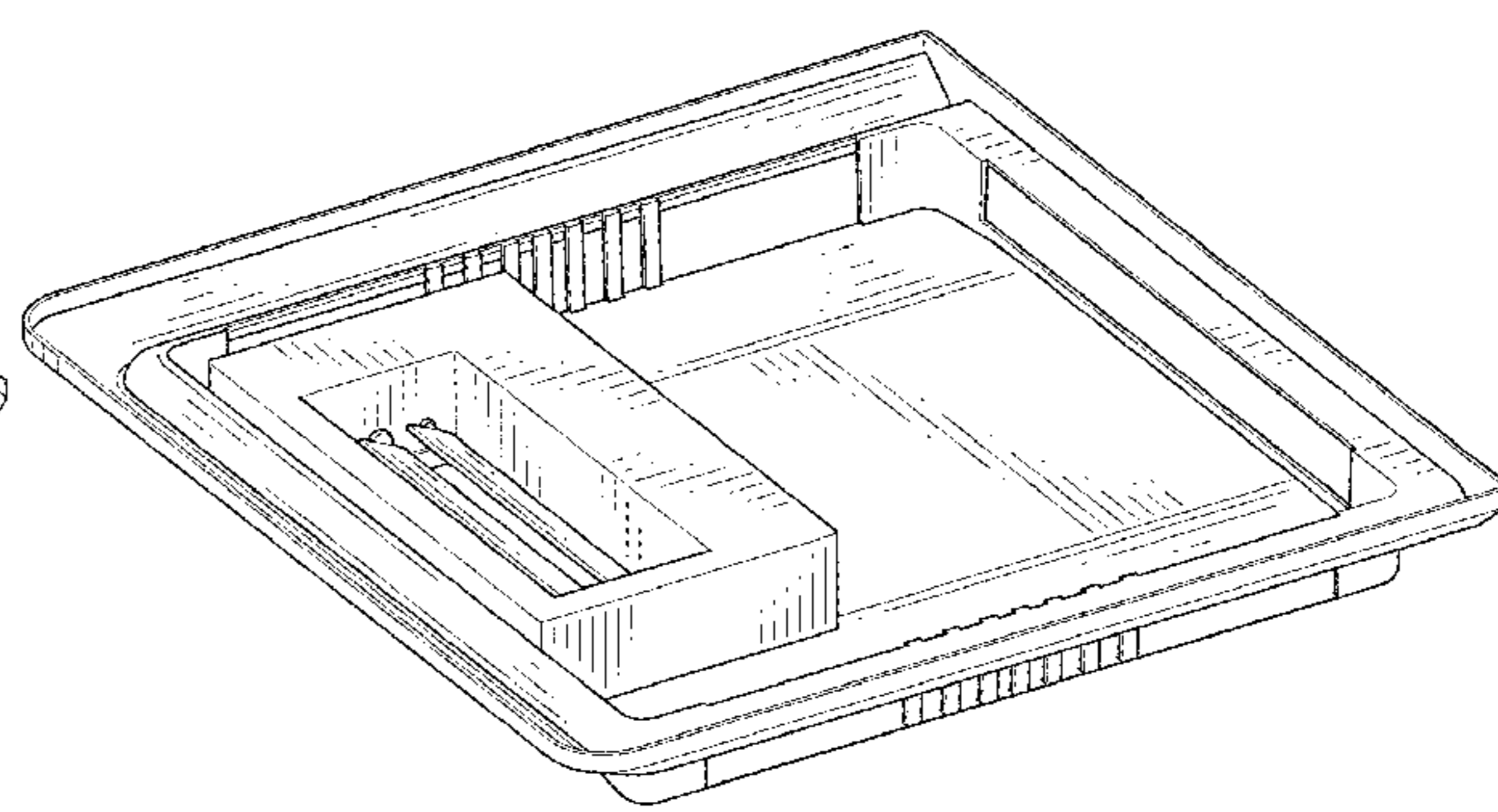
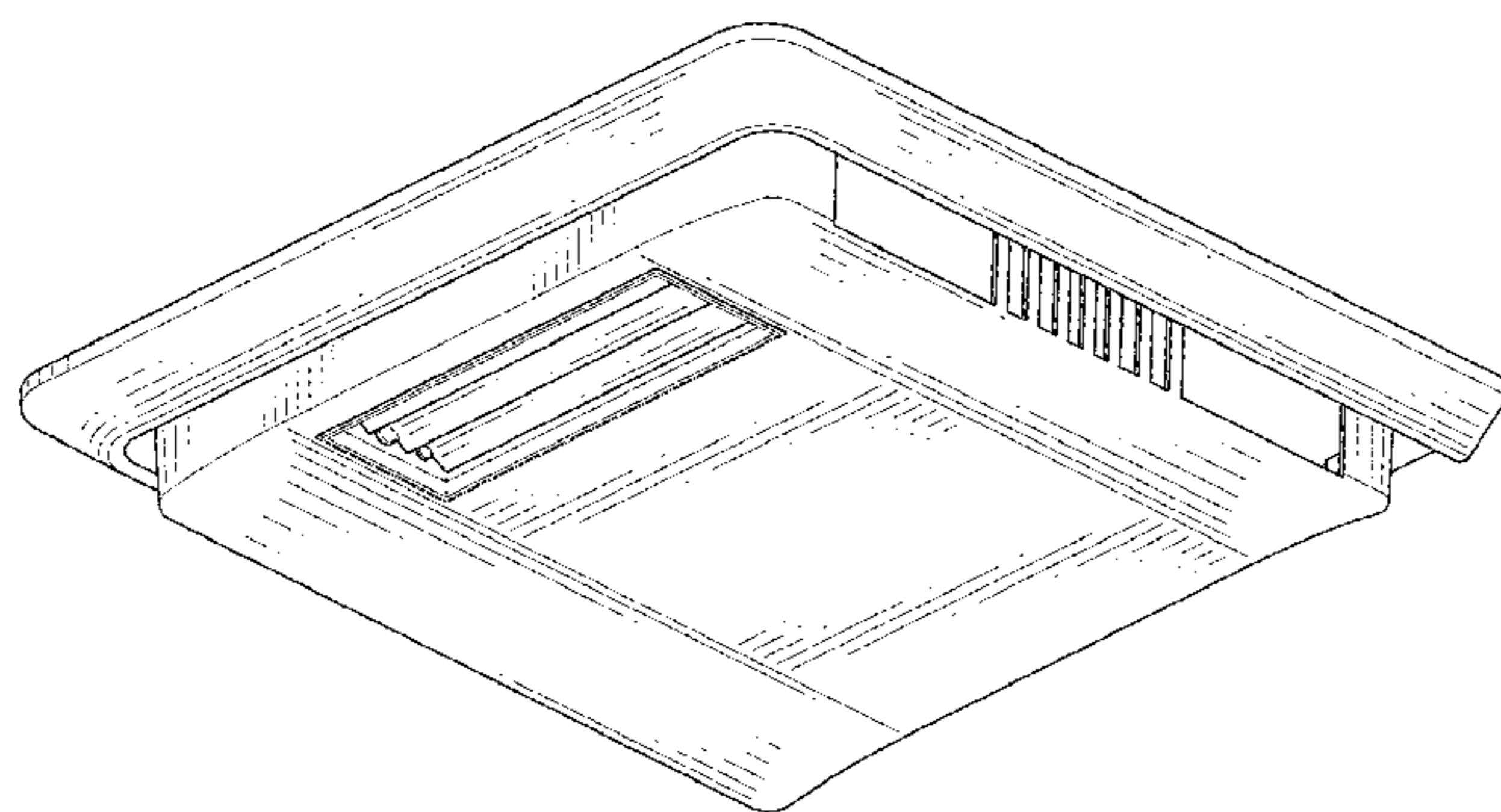
(57) **CLAIM**

The ornamental design for a panel for a vent fan, as shown and described.

DESCRIPTION

FIG. 1 is a lower perspective view of a panel for a vent fan showing our new design;
FIG. 2 is a front view thereof;
FIG. 3 is a rear view thereof;
FIG. 4 is a side view thereof;
FIG. 5 is an opposite side view thereof;
FIG. 6 is a top plan view thereof;
FIG. 7 is a bottom plan view thereof; and,
FIG. 8 is an upper perspective view thereof.

1 Claim, 8 Drawing Sheets



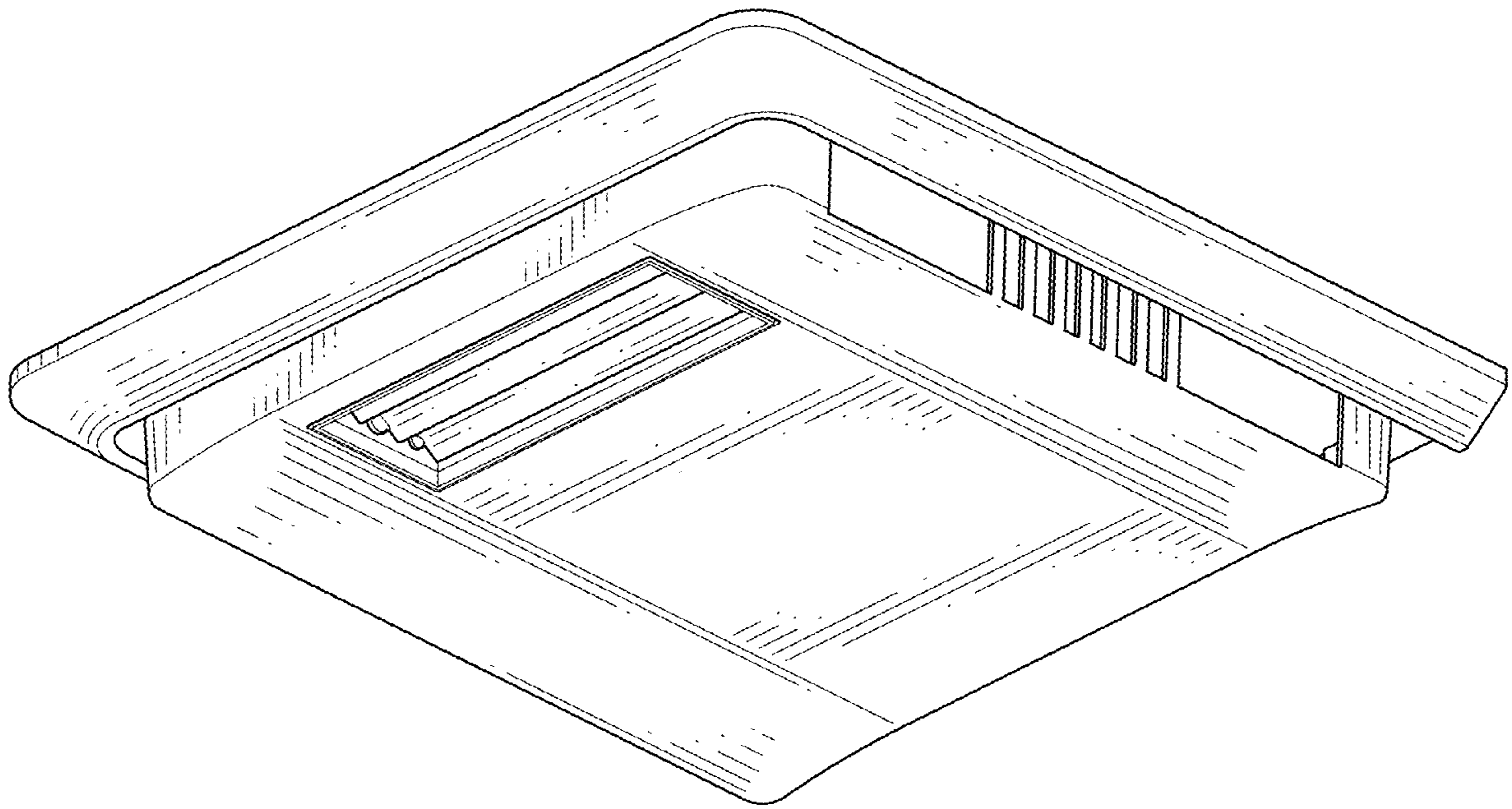


FIG. 1

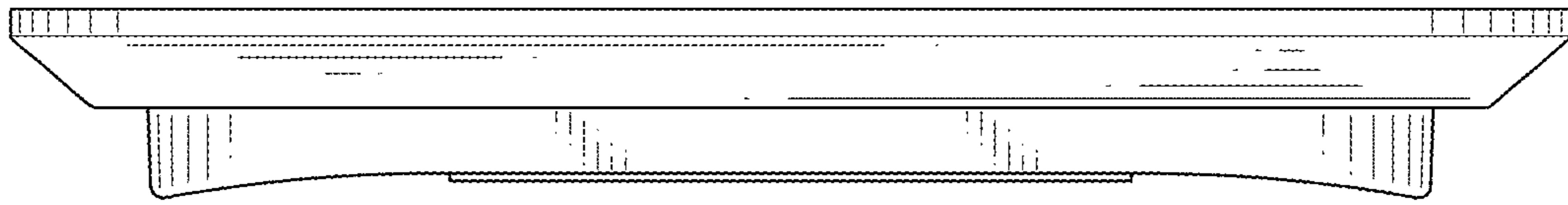


FIG. 2

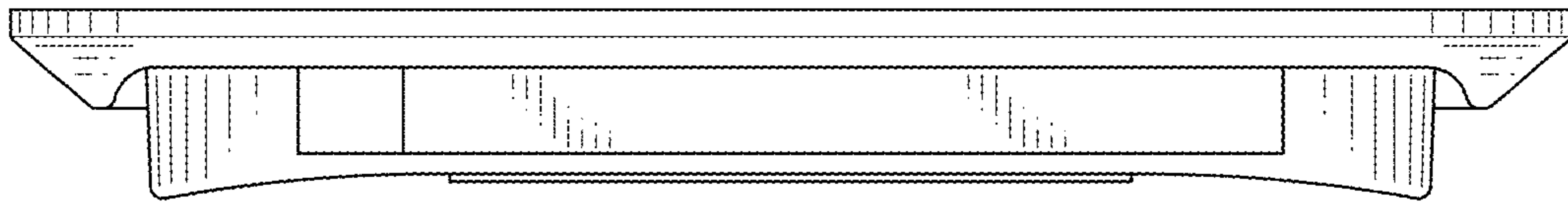


FIG. 3

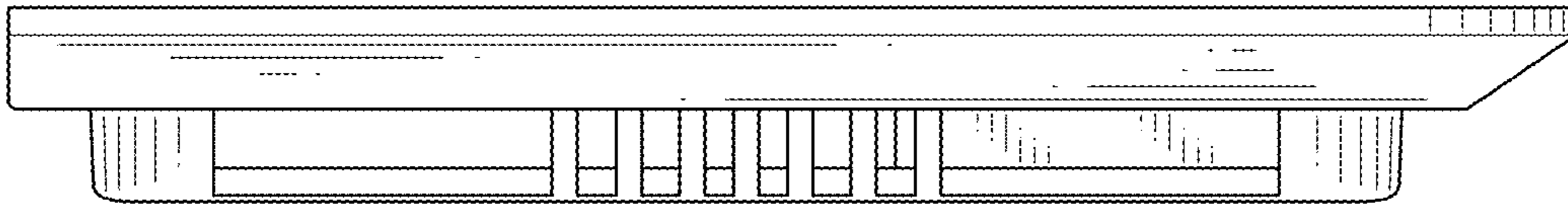


FIG. 4

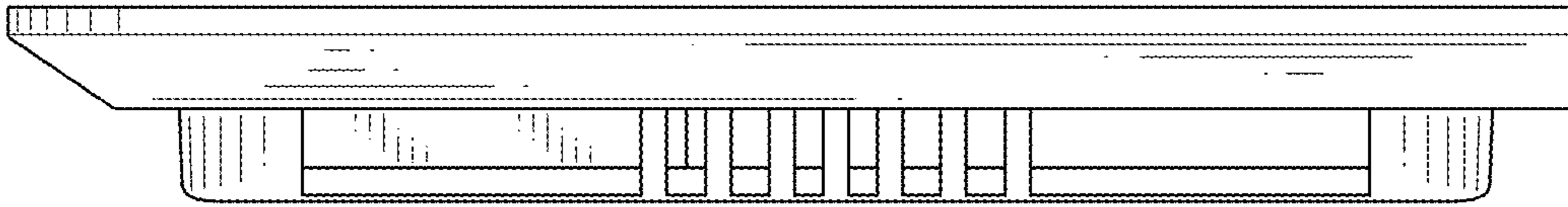


FIG. 5

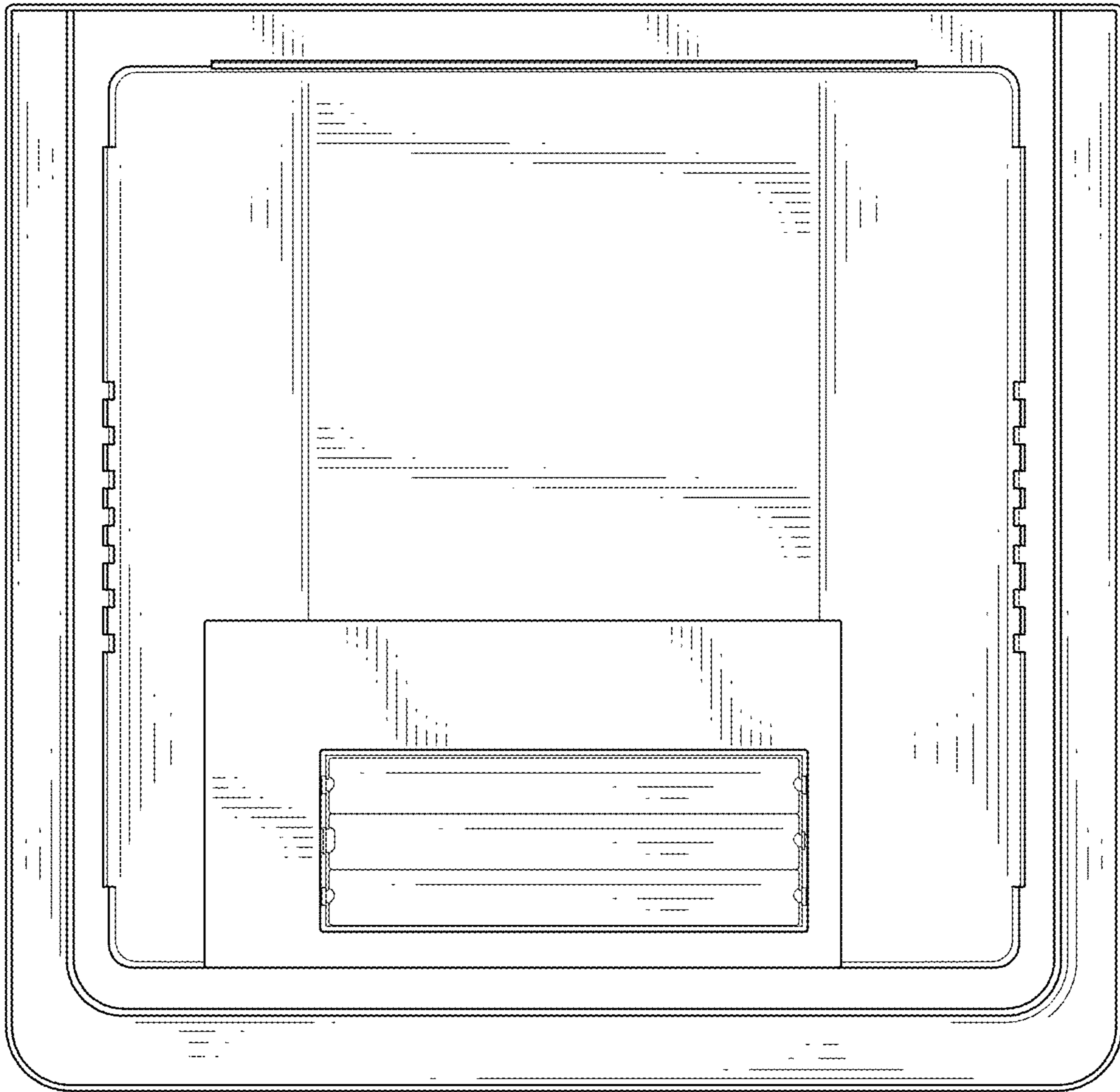


FIG. 6

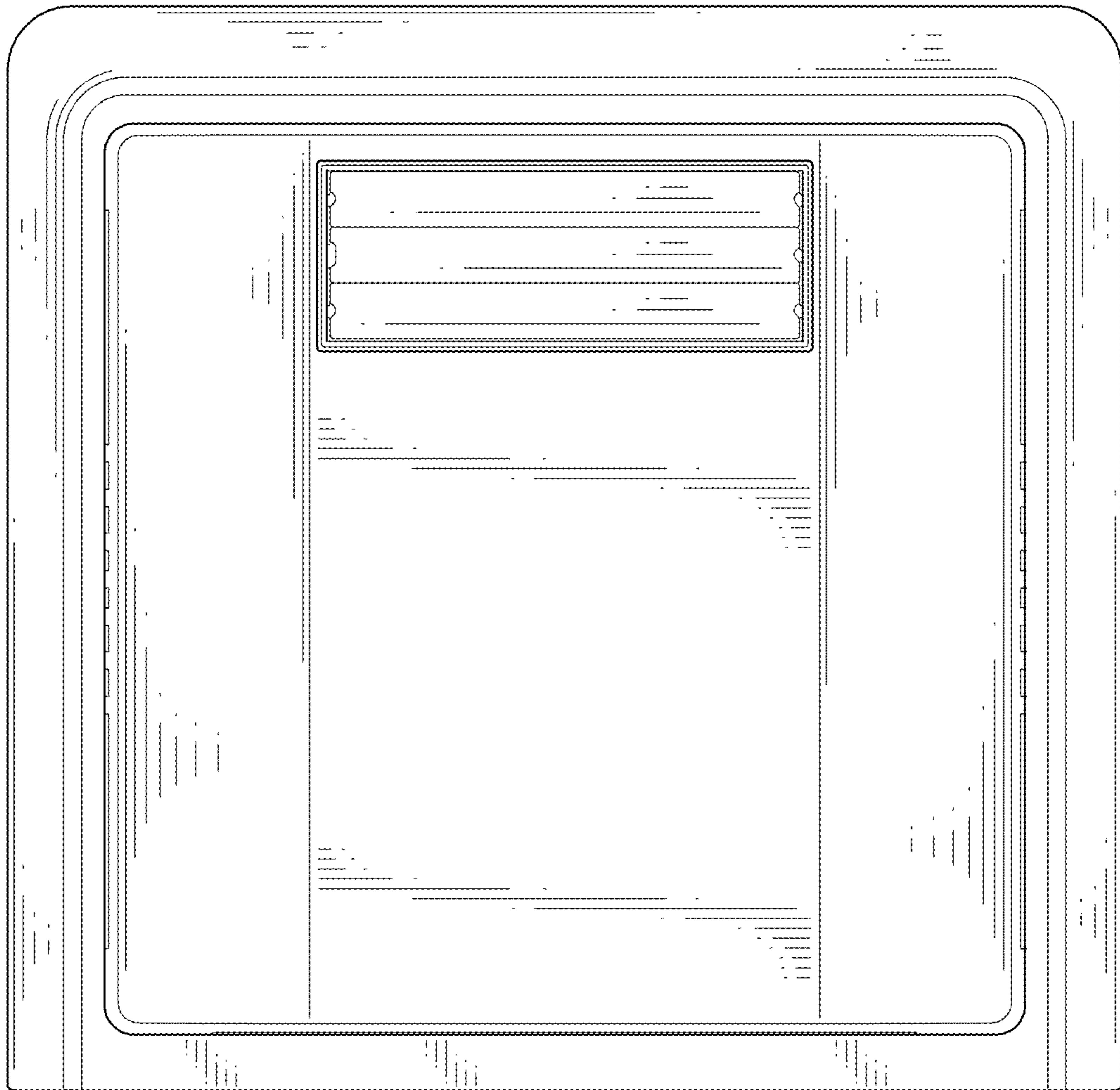


FIG. 7

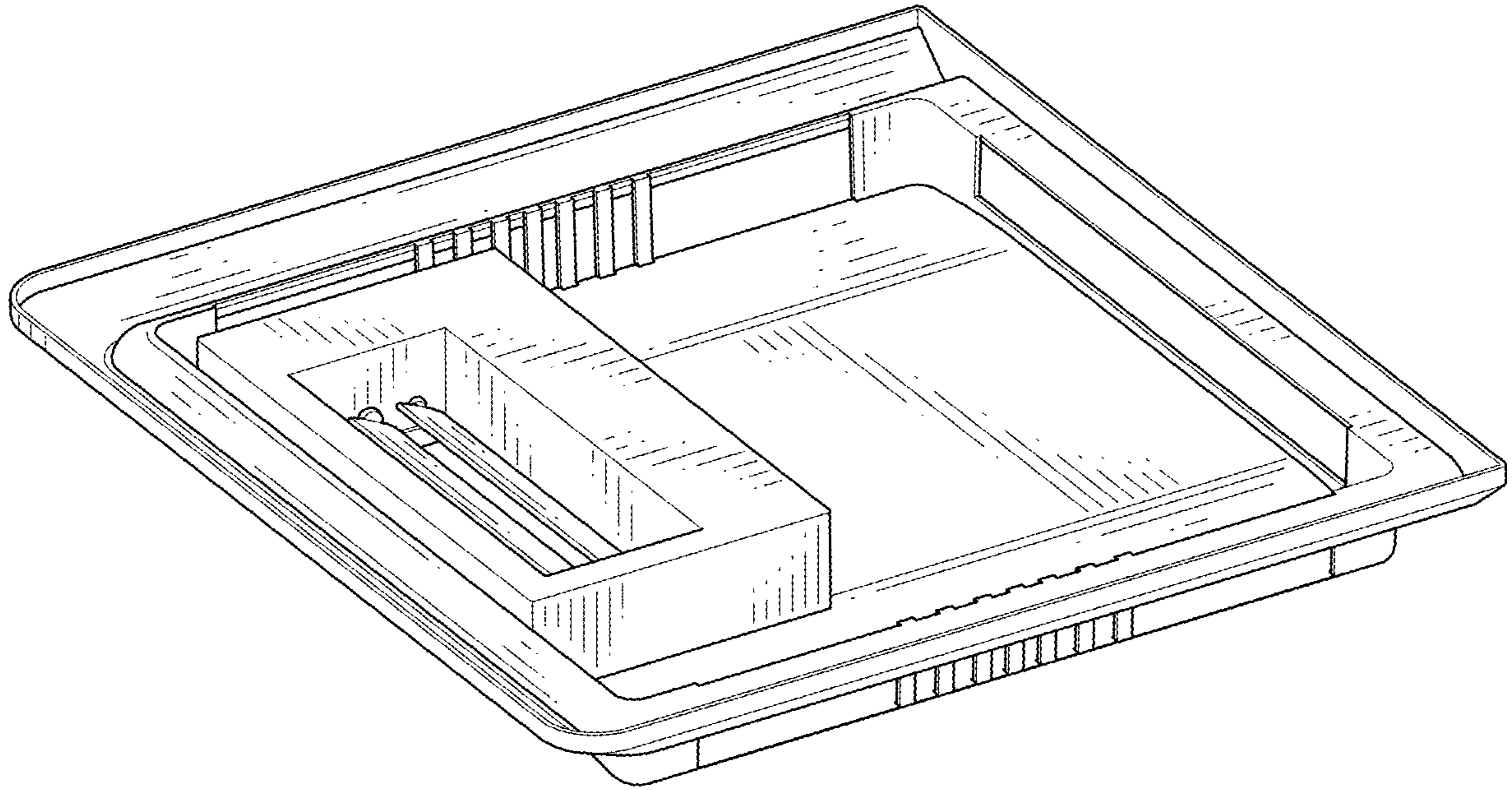


FIG. 8