



US00D948697S

(12) **United States Design Patent**
Li et al.

(10) **Patent No.:** **US D948,697 S**
(45) **Date of Patent:** **** Apr. 12, 2022**

- (54) **EXHAUST FAN**
- (71) Applicant: **XIAMEN ECO LIGHTING CO., LTD.**, (Fujian) Pilot Free Trade Zone Xiamen Area (CN)
- (72) Inventors: **Weizhong Li**, (Fujian) Pilot Free Trade Zone Xiamen Area (CN); **Yaohong Yeh**, (Fujian) Pilot Free Trade Zone Xiamen Area (CN)
- (73) Assignee: **XIAMEN ECO LIGHTING CO., LTD.**, Xiamen (CN)
- (**) Term: **15 Years**
- (21) Appl. No.: **29/720,695**
- (22) Filed: **Jan. 15, 2020**
- (51) **LOC (13) Cl.** **23-04**
- (52) **U.S. Cl.**
USPC **D23/371; D23/385; D14/209**
- (58) **Field of Classification Search**
USPC D23/314, 351, 353, 354, 364, 366, D23/370–376, 378, 381, 383, 385, 388, D23/393, 395, 411, 412; D26/59, 120, D26/124; D14/204, 210, 214–216, 209
CPC F24F 13/082; H04R 1/028
See application file for complete search history.

D679,046 S *	3/2013	Hoshino	D26/120
D752,199 S *	3/2016	Berkman	D23/370
9,398,357 B2 *	7/2016	Berkman	H04R 1/028
D764,037 S *	8/2016	Niki	D23/351
9,609,407 B2 *	3/2017	Berkman	H04R 1/021
D799,686 S *	10/2017	Liu	D23/412
D808,001 S *	1/2018	Berkman	D23/371
D824,087 S *	7/2018	Vasylyev	D26/120
D888,020 S *	6/2020	Lyu	D14/221
2012/0087128 A1 *	4/2012	Zakula	F24F 13/00 362/249.02
2012/0294472 A1 *	11/2012	Hudson	H04R 1/02 381/386
2014/0254857 A1 *	9/2014	Berkman	H04R 1/028 381/395
2015/0159910 A1 *	6/2015	Huang	F24F 13/28 415/121.2
2019/0113221 A1 *	4/2019	Huang	F04D 29/005

* cited by examiner

Primary Examiner — Sharon S Oum
(74) *Attorney, Agent, or Firm* — Cantor Colburn LLP

(57) **CLAIM**

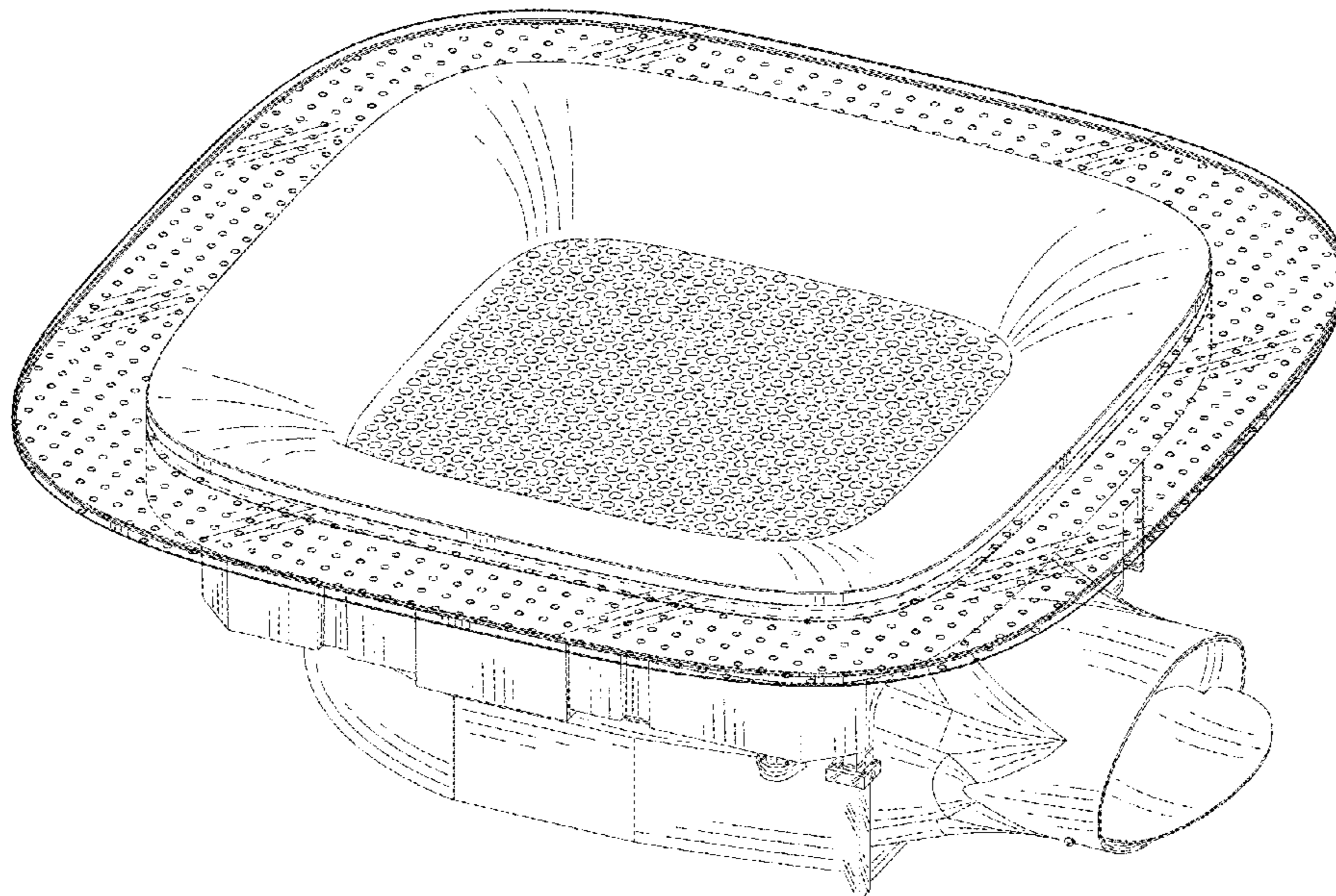
The ornamental design for an exhaust fan, as shown and described.

DESCRIPTION

FIG. 1 is a first perspective view of an exhaust fan; FIG. 2 is a second perspective view thereof; FIG. 3 is a third perspective view thereof; FIG. 4 is a front view thereof; FIG. 5 is a rear view thereof; FIG. 6 is a left side view thereof; FIG. 7 is a right side view thereof; FIG. 8 is a top view thereof; and, FIG. 9 is a bottom view thereof. The broken lines in the figures depict portions of the exhaust fan that form no part of the claimed design.

1 Claim, 9 Drawing Sheets

- (56) **References Cited**
U.S. PATENT DOCUMENTS
D372,775 S * 8/1996 Schuler D23/371
D404,122 S * 1/1999 Hayashi D23/370
5,879,232 A * 3/1999 Luter, II F24F 7/013
454/349
6,488,579 B2 * 12/2002 Larson F24F 7/007
415/204
D628,556 S * 12/2010 Lee D14/214



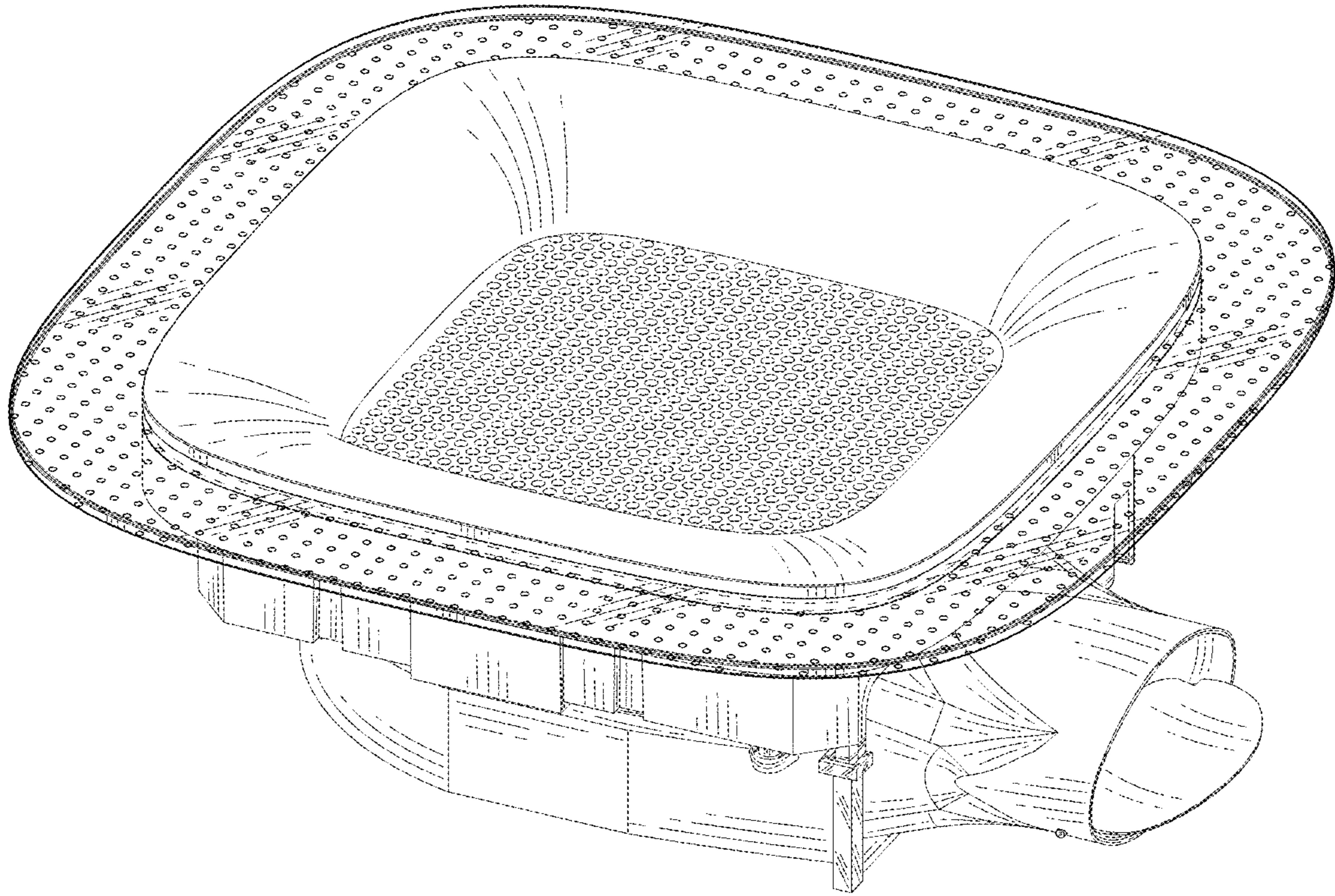


FIG. 1

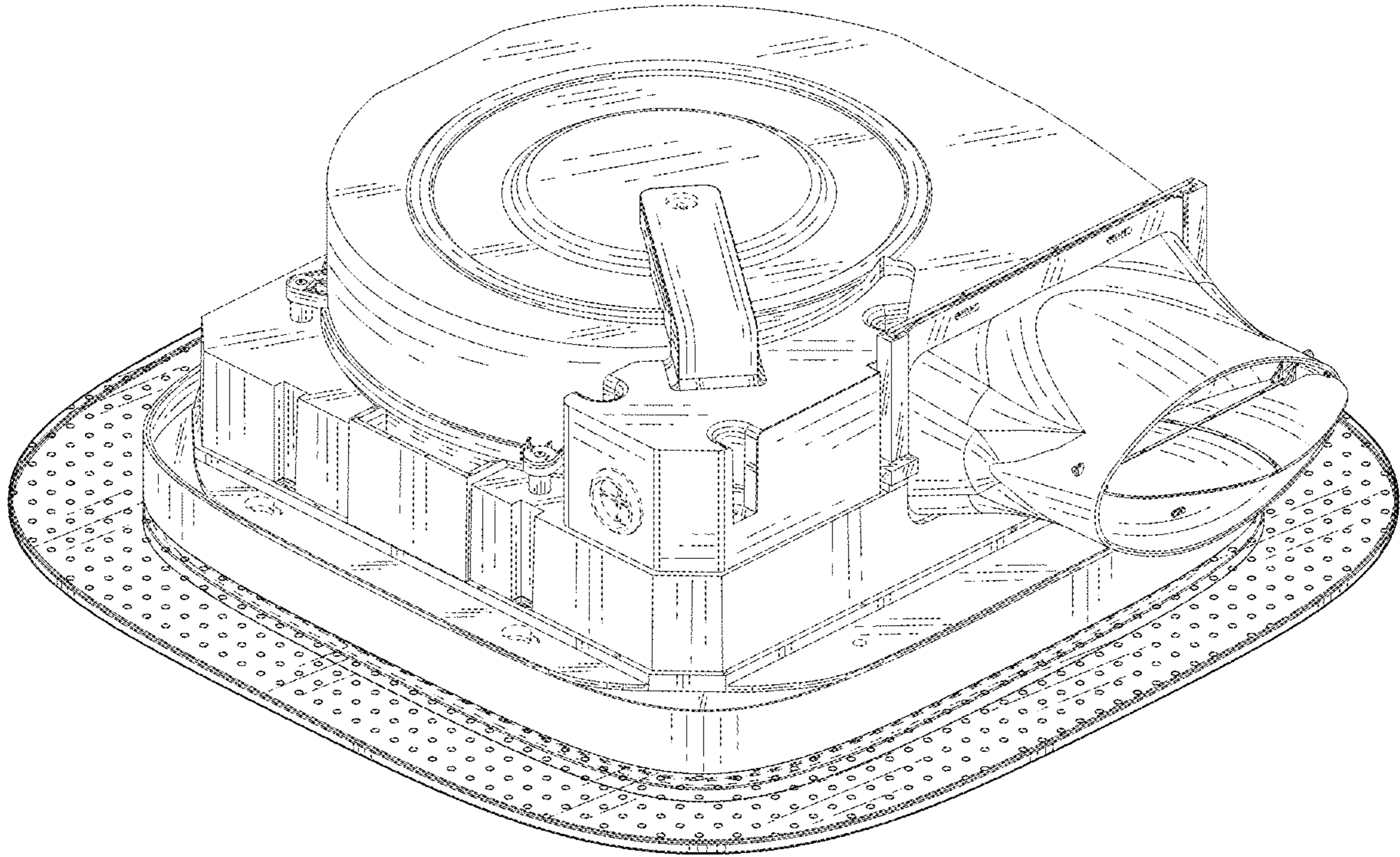


FIG. 2

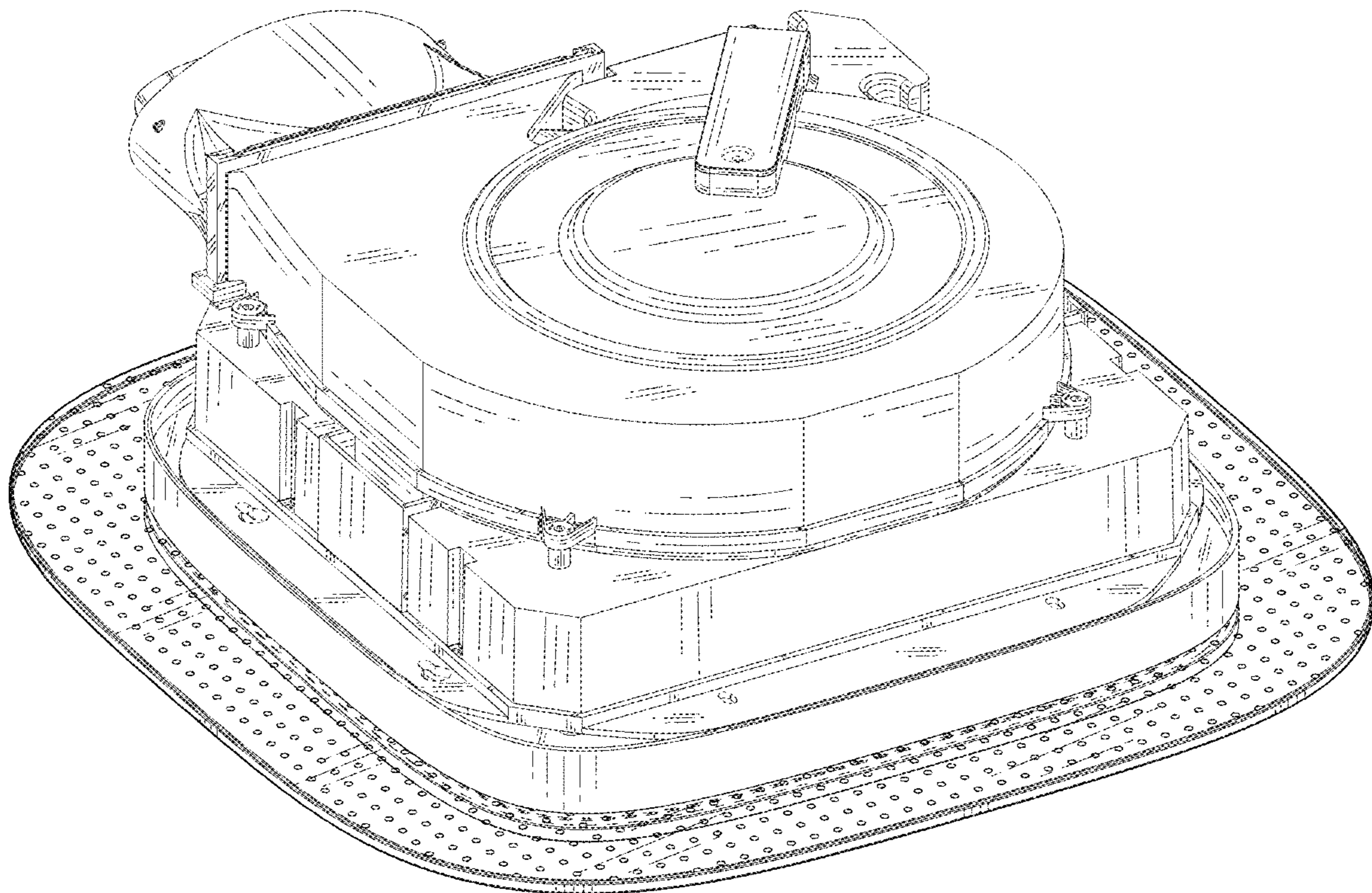


FIG. 3

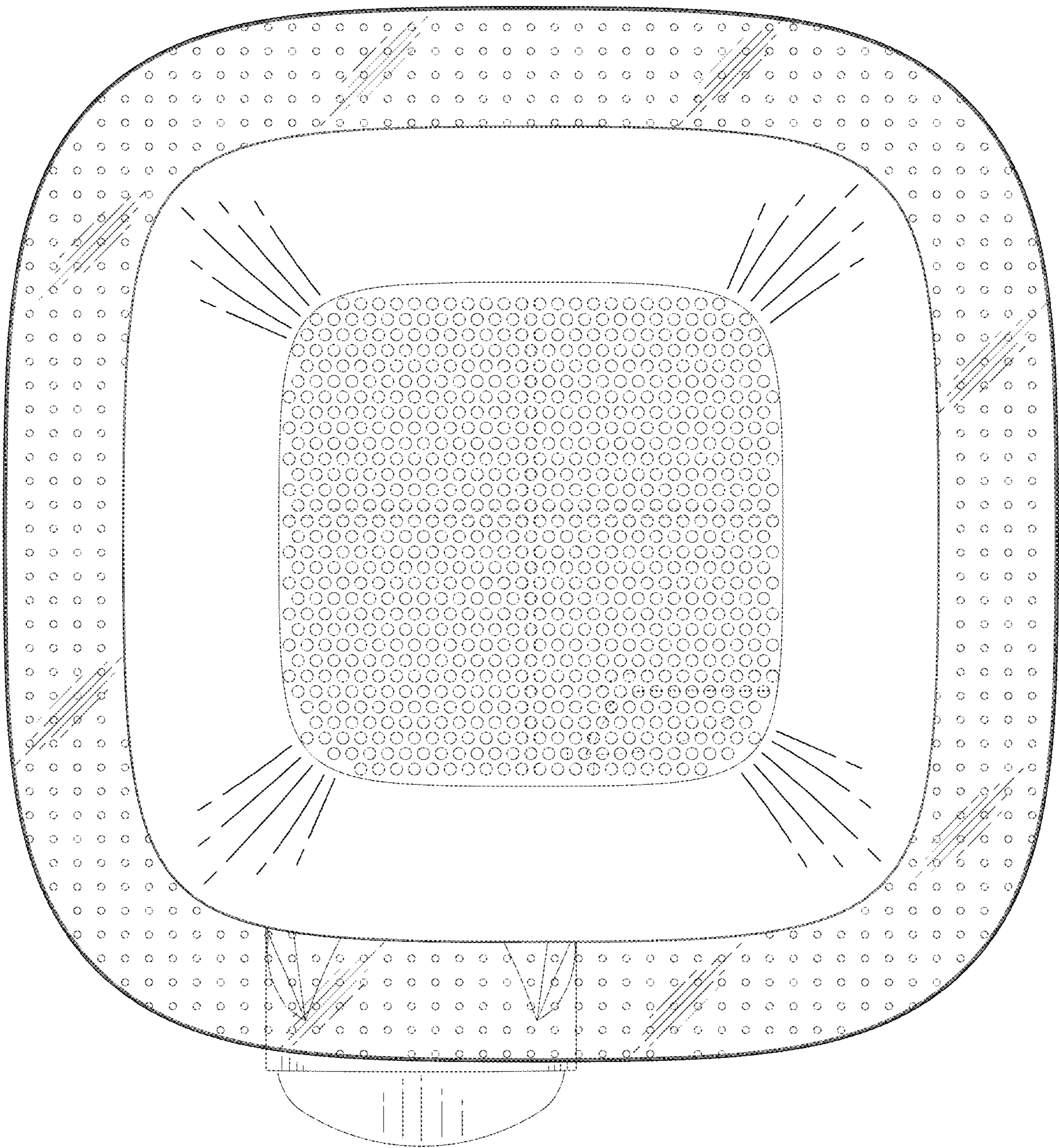


FIG. 4

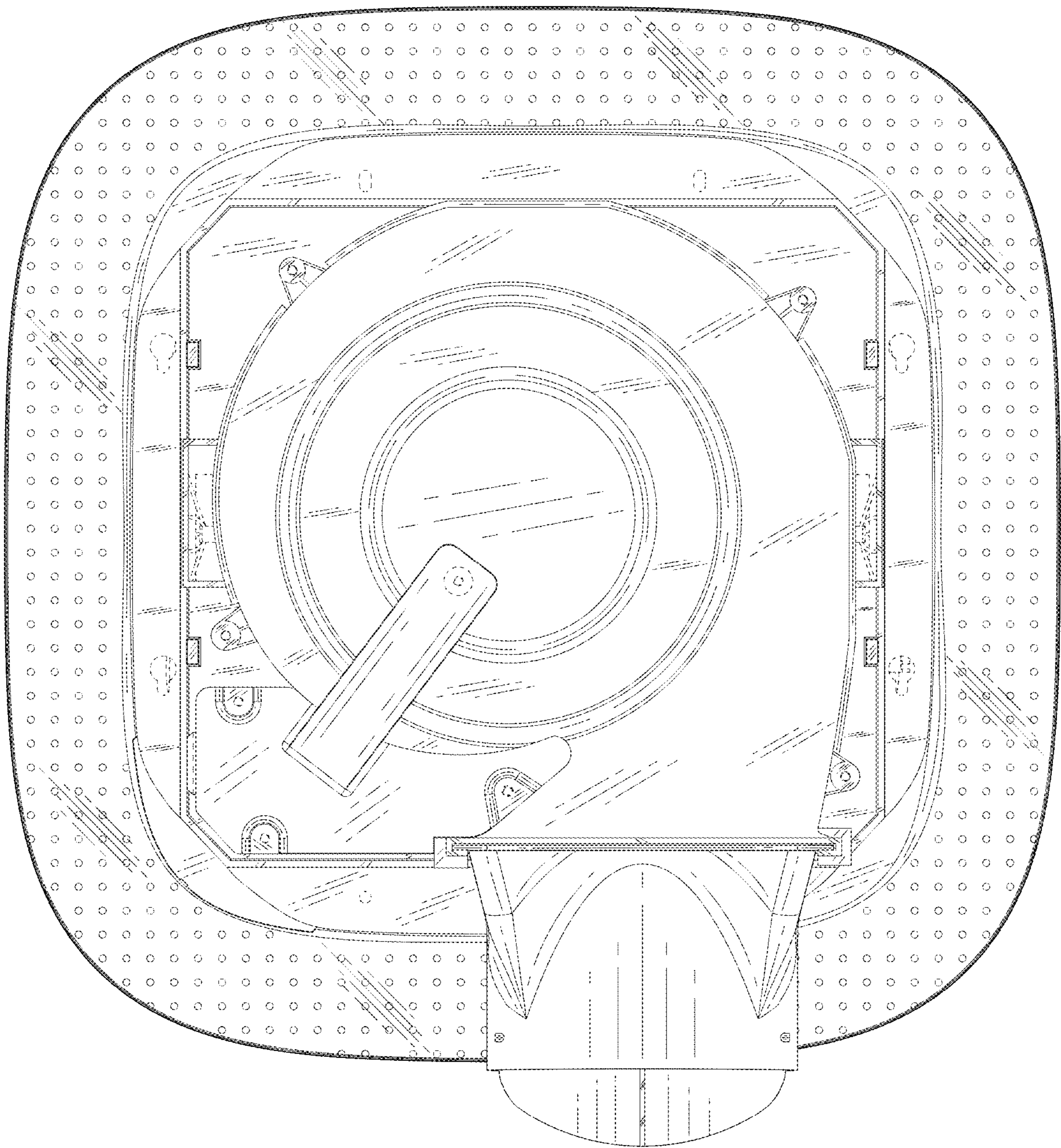


FIG. 5

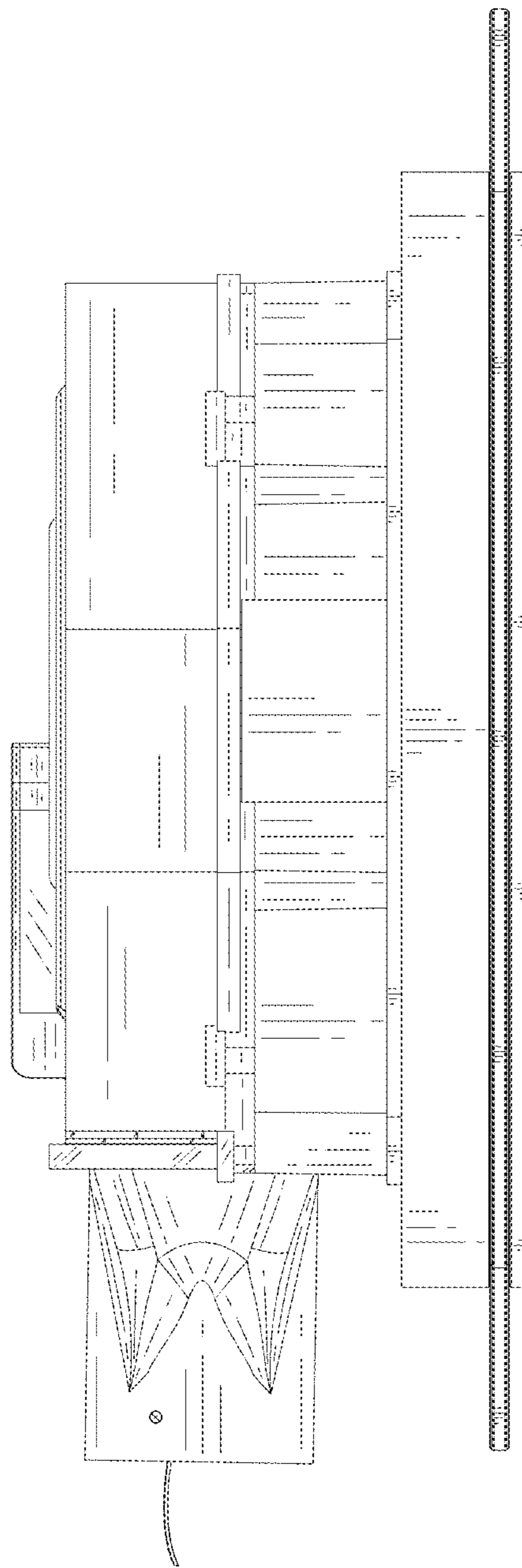


FIG. 6

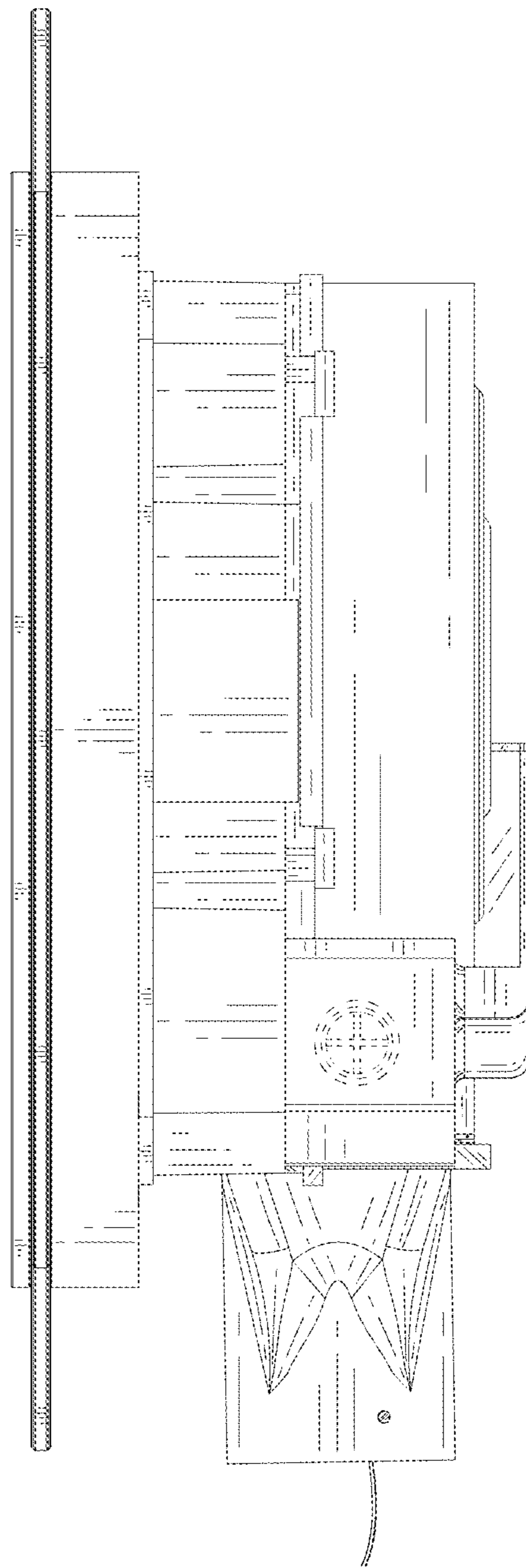


FIG. 7

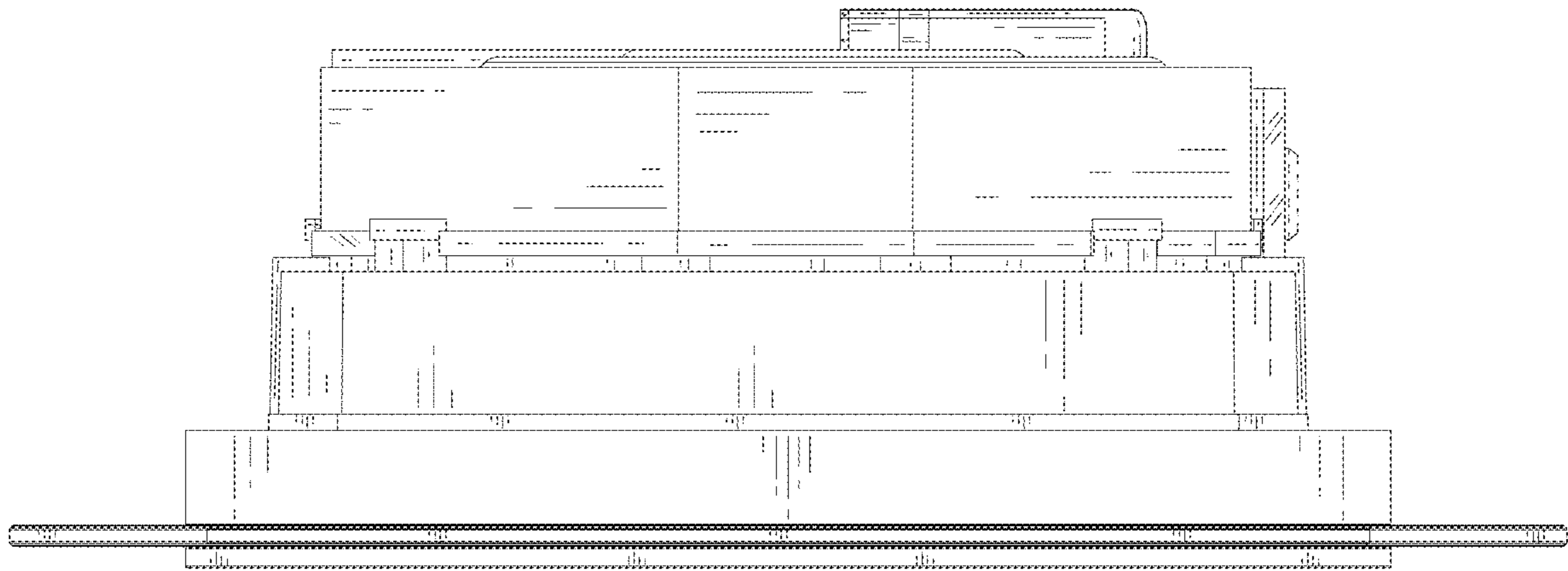


FIG. 8

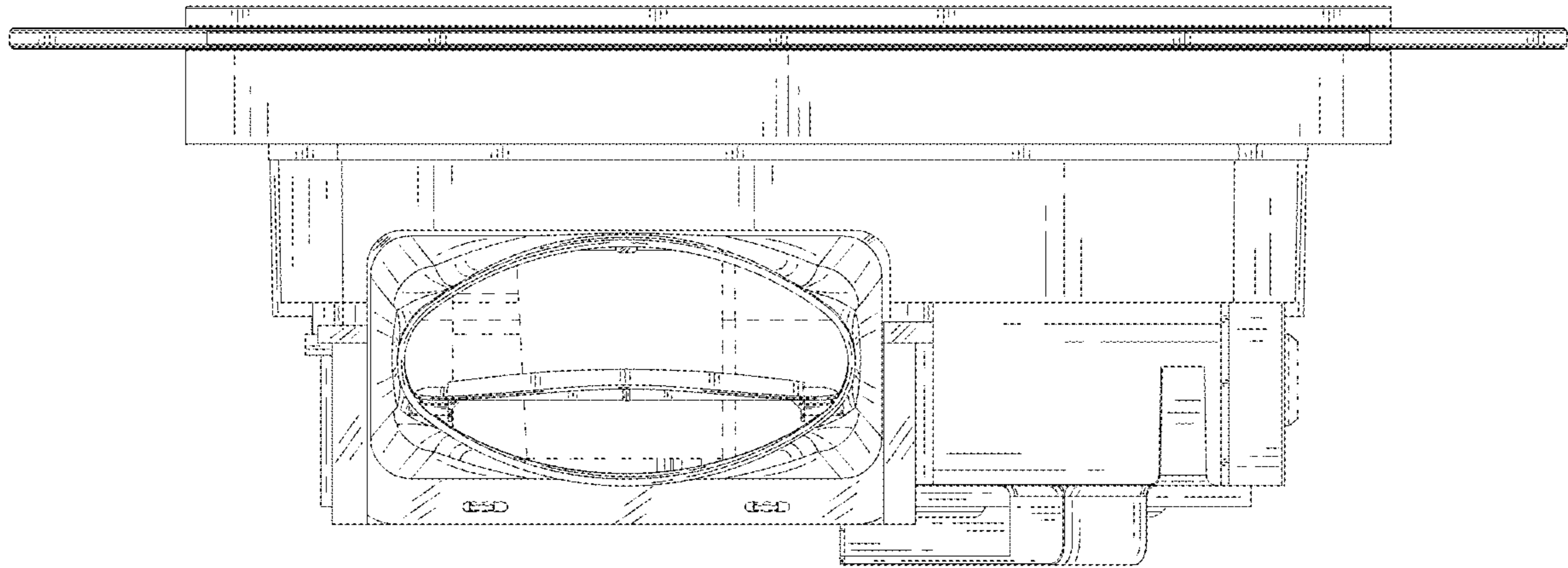


FIG. 9