



US00D948695S

(12) **United States Design Patent** (10) **Patent No.:** **US D948,695 S**  
**Patton et al.** (45) **Date of Patent:** **\*\* Apr. 12, 2022**

(54) **DIFFUSER**  
(71) Applicant: **Arome D'Art, LLC**, Costa Mesa, CA (US)  
(72) Inventors: **Douglas Patton**, Costa Mesa, CA (US); **Jeffrey Thompson**, Costa Mesa, CA (US)  
(73) Assignee: **Arome D'Art, LLC**, Newport Beach, CA (US)  
(\*\*) Term: **15 Years**

D772,388 S 11/2016 Hamilton et al.  
D813,366 S \* 3/2018 Tang ..... D23/366  
D820,318 S \* 6/2018 Mullins ..... D14/496  
D826,748 S \* 8/2018 Kim ..... D10/70  
D829,877 S \* 10/2018 Liu ..... D23/366  
D850,608 S \* 6/2019 Garcia ..... D23/386  
D886,267 S 6/2020 Hamilton et al.  
D886,759 S \* 6/2020 Bailey ..... D14/149  
D888,024 S \* 6/2020 Li ..... D14/228  
D894,369 S 8/2020 Salmon et al.  
D895,540 S 9/2020 Hasenmayer et al.  
D904,293 S 12/2020 Wersland et al.  
2012/0146251 A1 6/2012 Heine et al.

(Continued)

(21) Appl. No.: **29/716,906**  
(22) Filed: **Dec. 12, 2019**  
(51) **LOC (13) Cl.** ..... **23-04**  
(52) **U.S. Cl.**  
USPC ..... **D23/366**  
(58) **Field of Classification Search**  
USPC ..... D23/209, 355, 356, 358, 359, 360, 364,  
D23/365, 366, 367; D99/5; D24/217;  
D32/1  
CPC . A61L 9/03; A61L 9/012; A61L 9/015; A61L  
9/037; F41J 1/01  
See application file for complete search history.

**OTHER PUBLICATIONS**

Arome D'Art Diffuser [Jul. 23, 2021] found online [Jul. 23, 2021]—  
[https://www.pattondesign.com/arome-d-art.\\*](https://www.pattondesign.com/arome-d-art.*)

*Primary Examiner* — John A Voytek  
(74) *Attorney, Agent, or Firm* — Ryan Dean; Umberg  
Zipser LLP

(57) **CLAIM**

We claim the ornamental design for a diffuser, as shown and described.

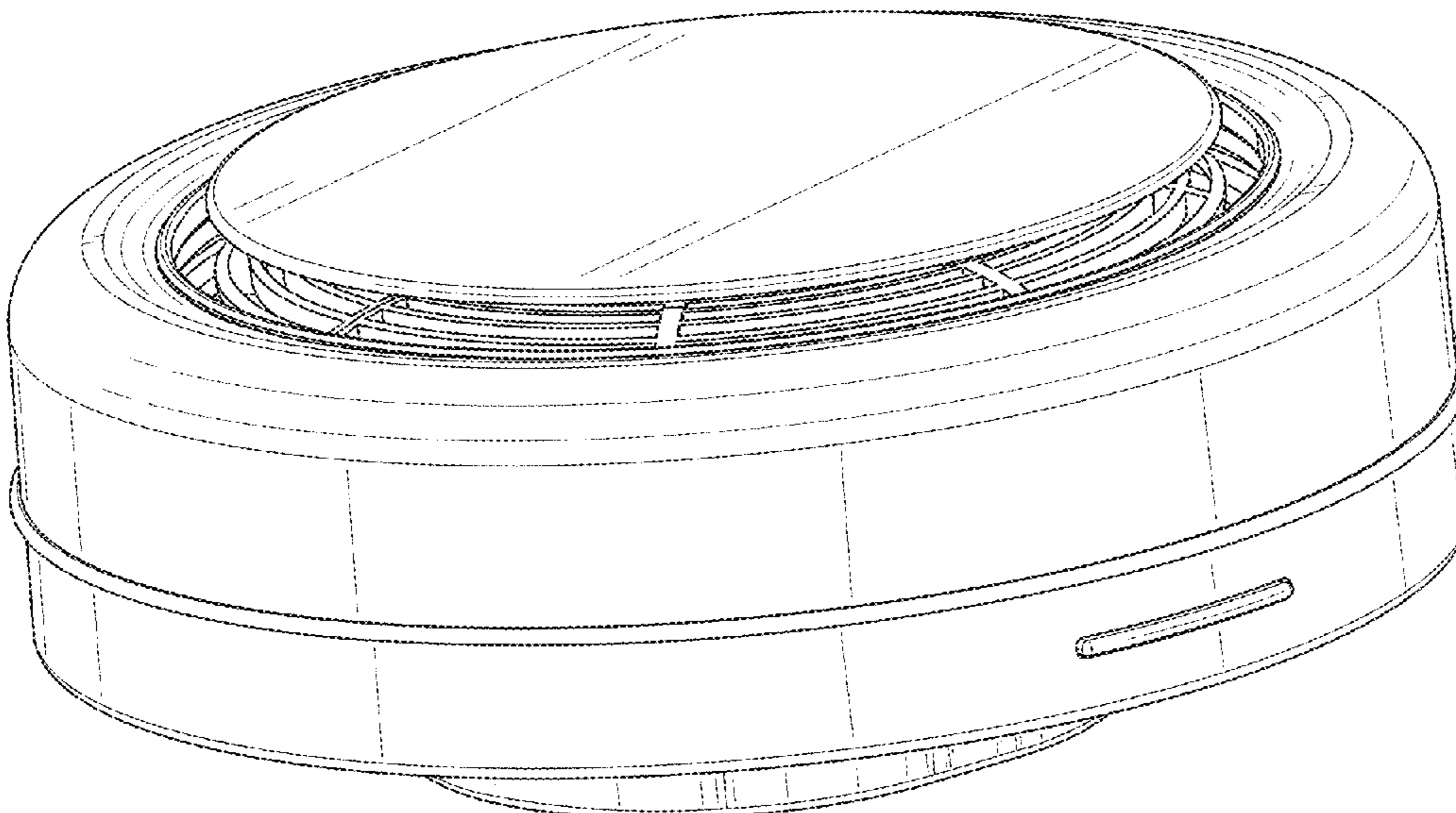
**DESCRIPTION**

FIG. 1 is a perspective view of a diffuser design with cartridge.  
FIG. 2 is a front elevation view of the diffuser of FIG. 1.  
FIG. 3 is a back elevation view of the diffuser of FIG. 1.  
FIG. 4 is a left side elevation view of the diffuser of FIG. 1.  
FIG. 5 is a right side elevation view of the diffuser of FIG. 1.  
FIG. 6 is a top plan view of the diffuser of FIG. 1; and,  
FIG. 7 is a bottom plan view of the diffuser of FIG. 1.  
The broken lines in the views represents portions of the diffuser which form no part of the claimed design.

**1 Claim, 7 Drawing Sheets**

(56) **References Cited**  
**U.S. PATENT DOCUMENTS**

D427,564 S 7/2000 Wu  
D427,966 S 7/2000 Foster et al.  
D427,967 S 7/2000 Lloyd et al.  
D460,412 S 7/2002 Nawrozki  
D467,867 S 12/2002 Hsiao  
D468,685 S 1/2003 Jacobs et al.  
D542,900 S 5/2007 Snow et al.  
D555,087 S 11/2007 Brefka et al.  
D653,744 S \* 2/2012 Li ..... D23/366  
D672,308 S 12/2012 Cobbett et al.  
D734,717 S 7/2015 Dvorak et al.  
D753,279 S \* 4/2016 Li ..... D23/366



(56)

**References Cited**

U.S. PATENT DOCUMENTS

2013/0028457 A1\* 1/2013 Yeh ..... H04R 1/10  
381/334  
2021/0106712 A1 4/2021 Lee

\* cited by examiner

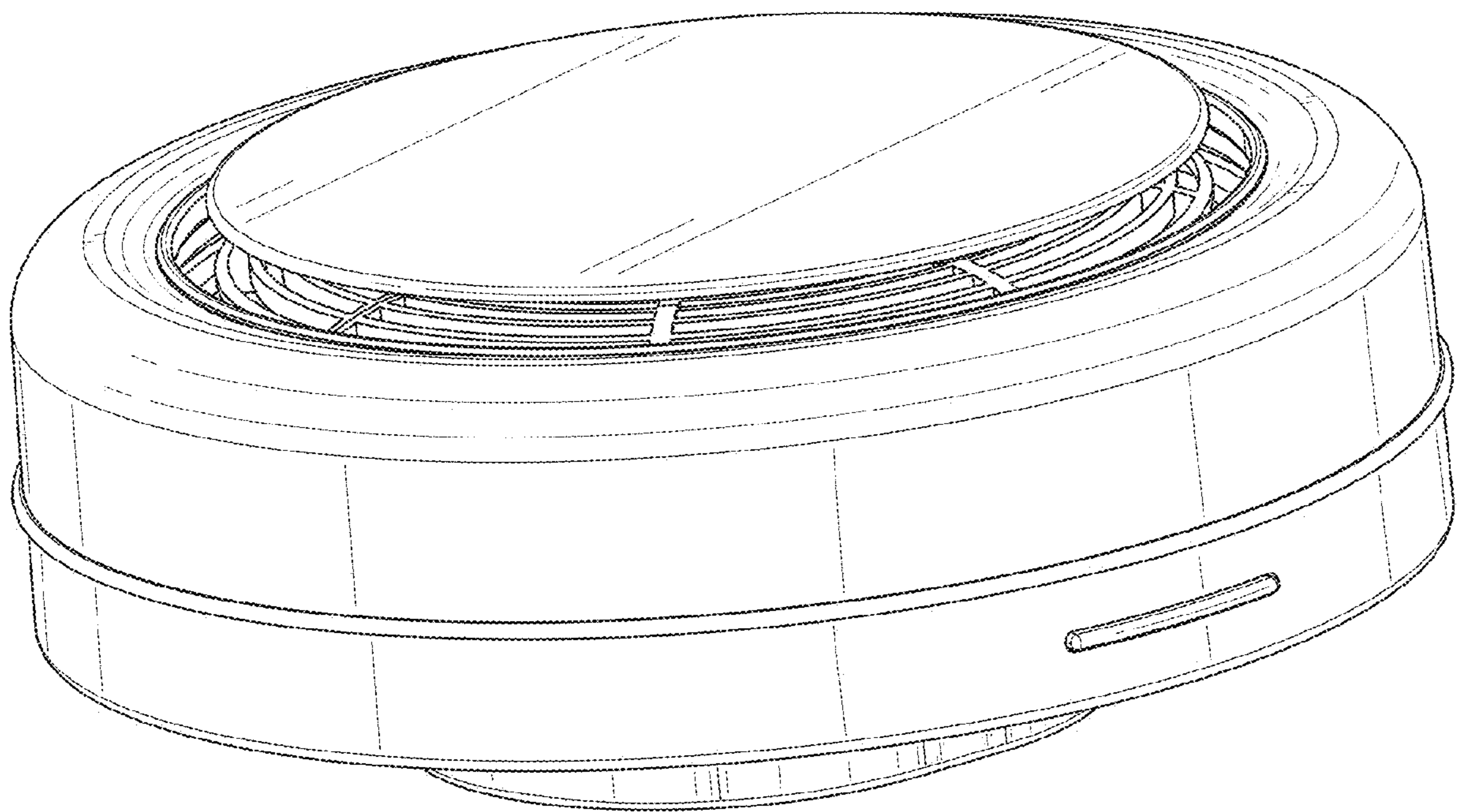


FIG. 1

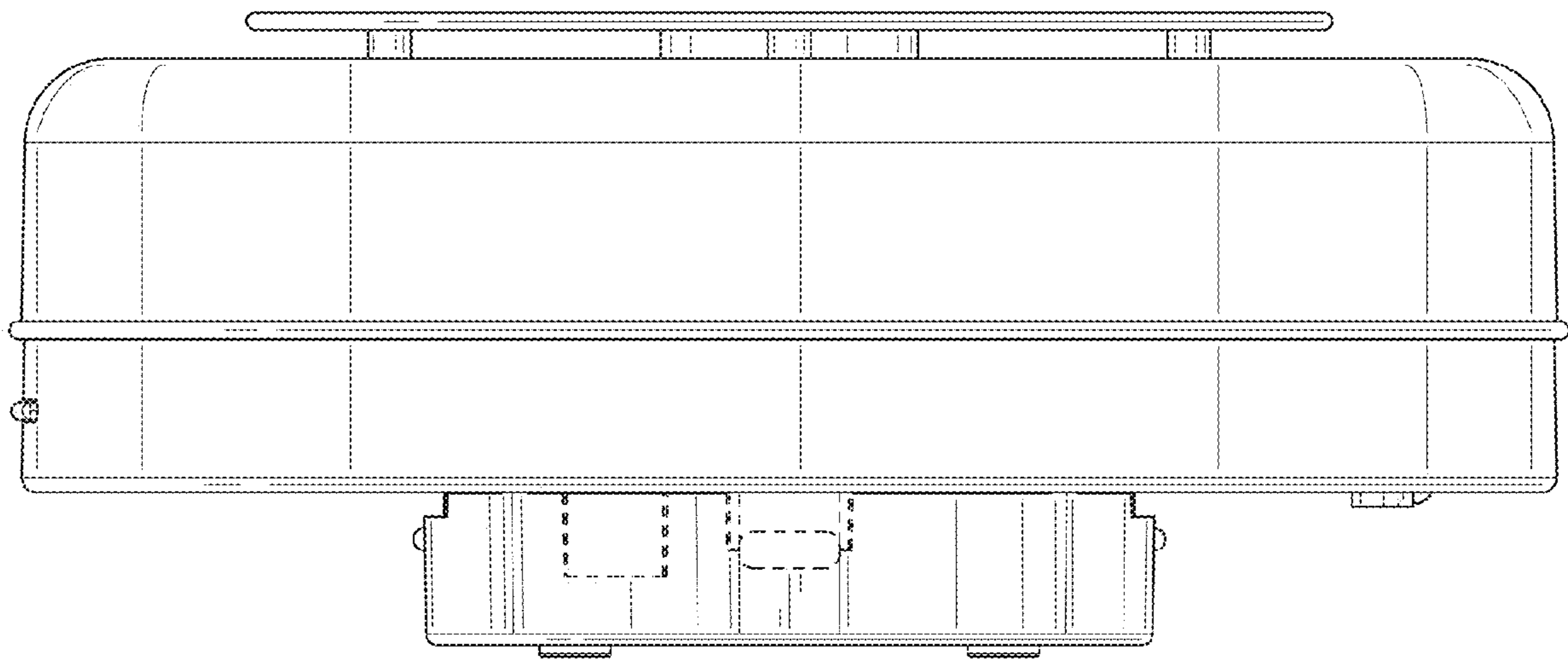


FIG. 2

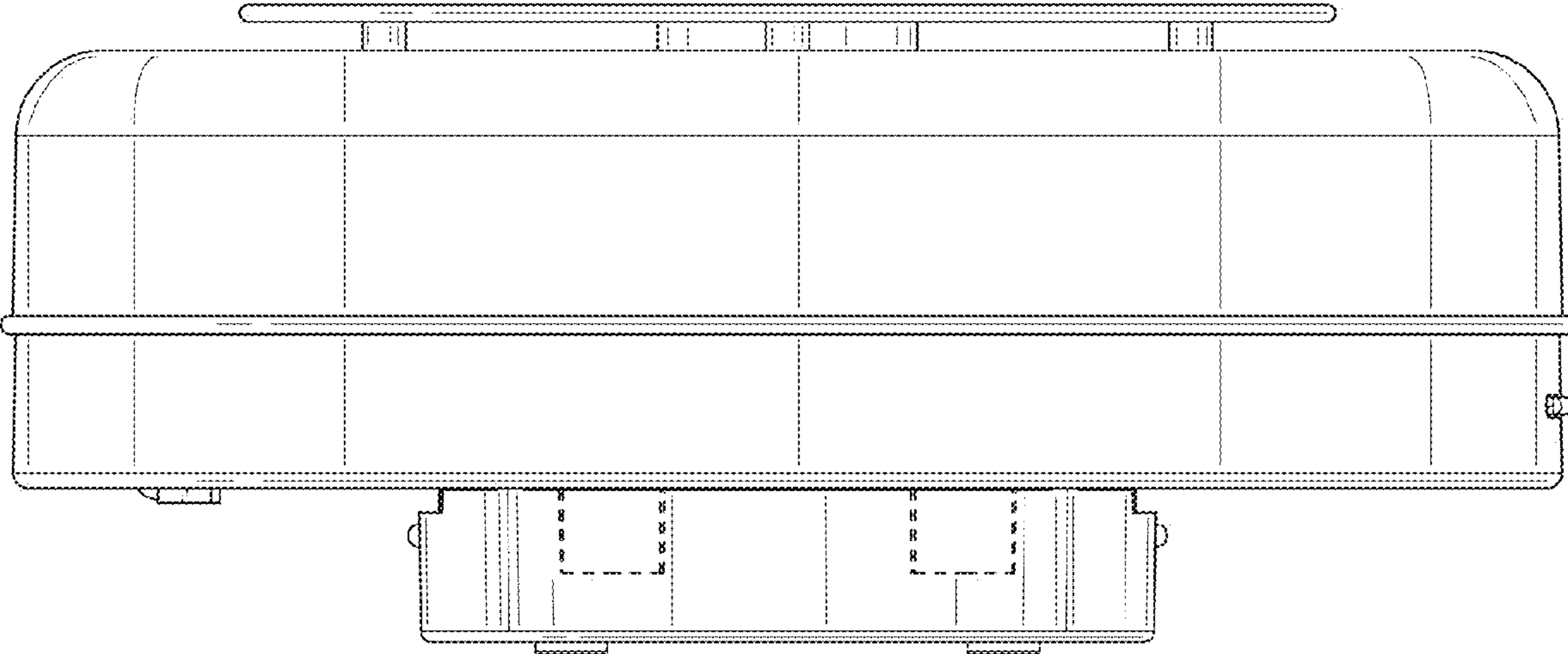


FIG. 3

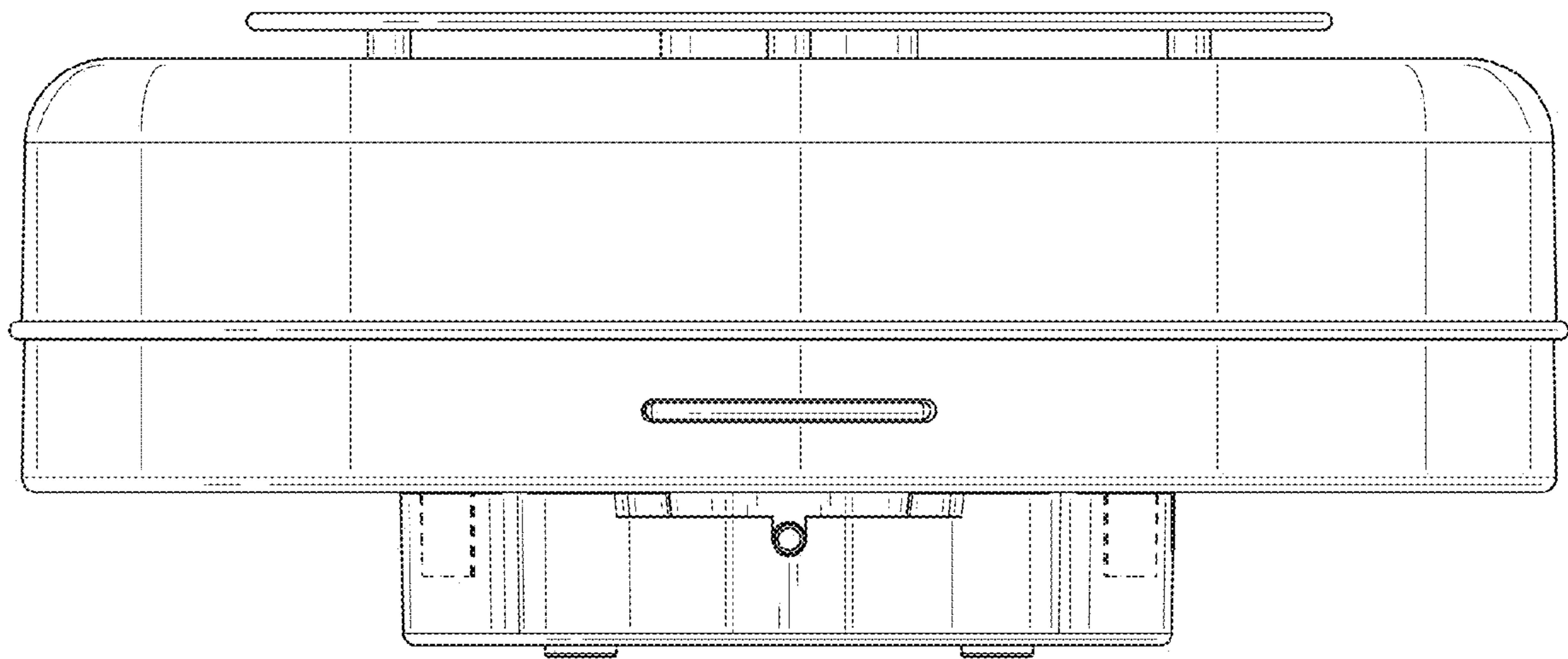


FIG. 4

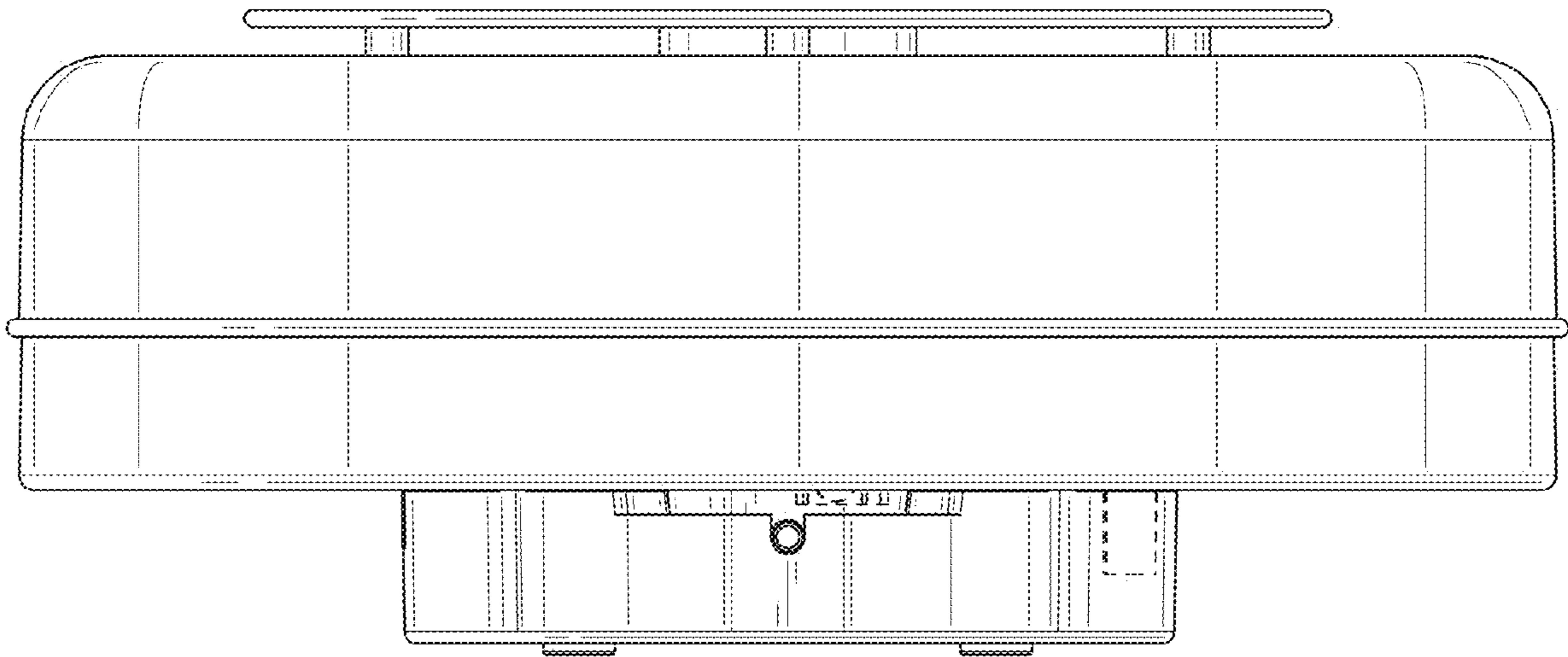


FIG. 5

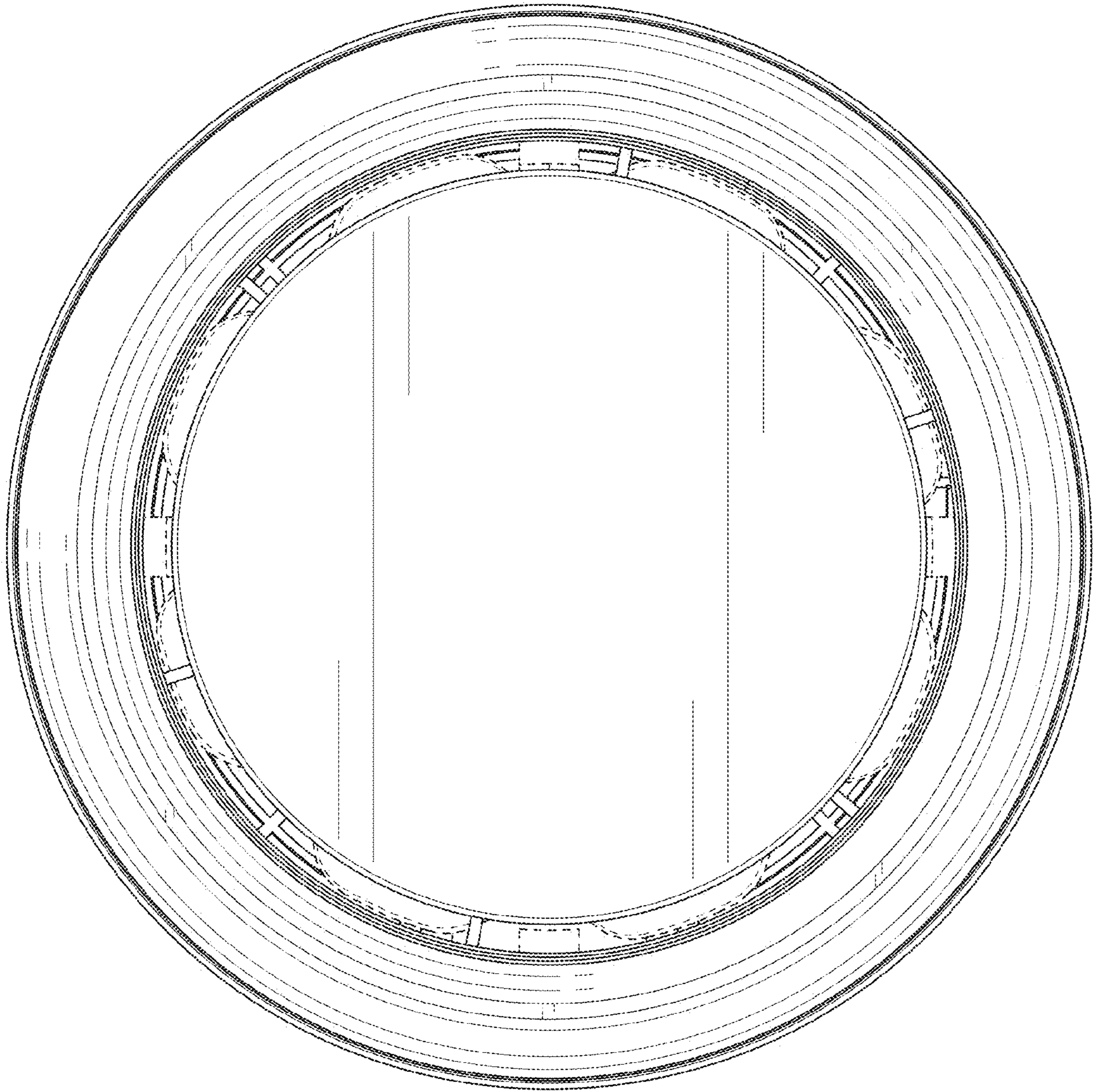


FIG. 6



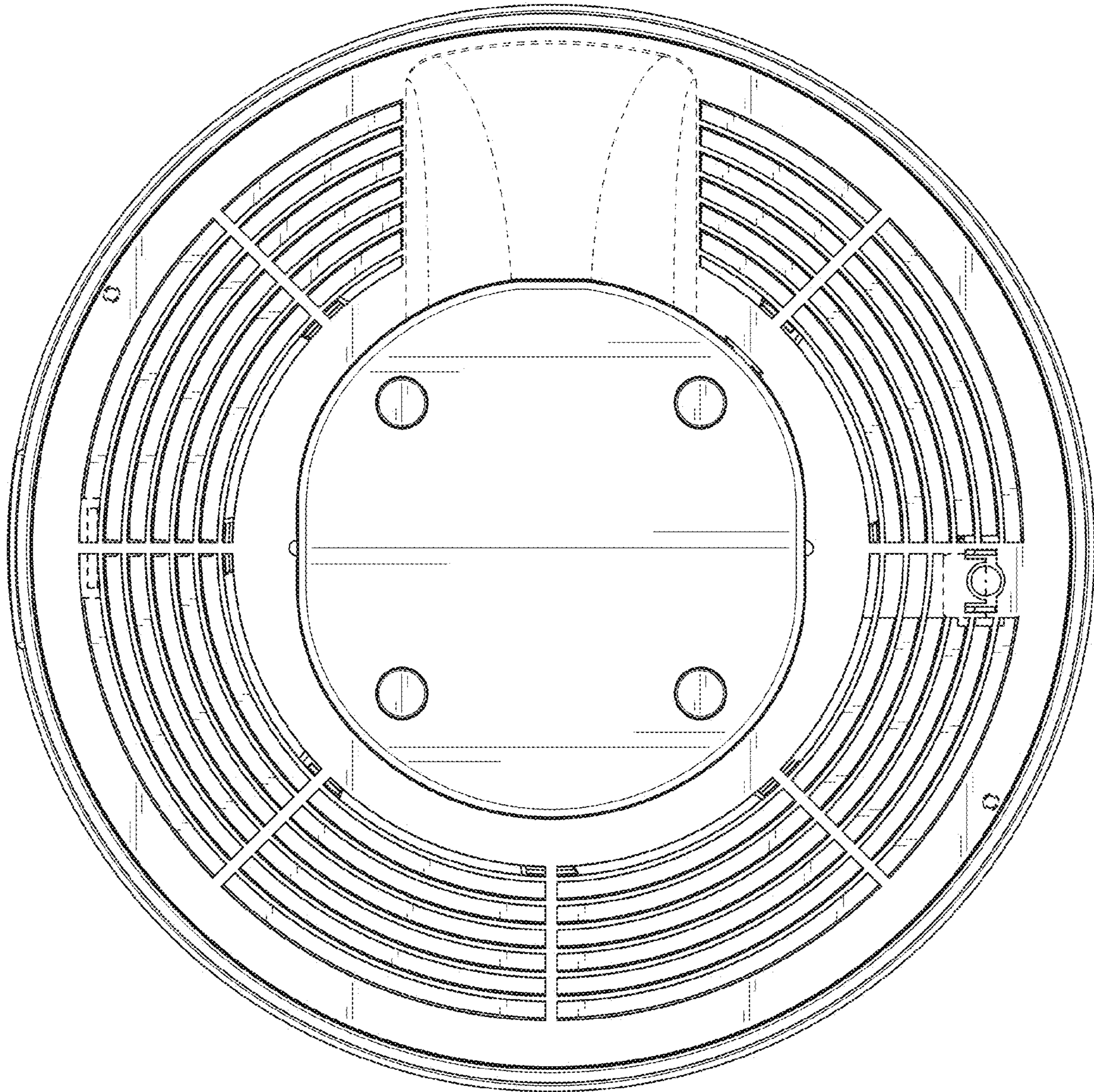


FIG. 7