



US00D948691S

(12) **United States Design Patent**
Chen

(10) **Patent No.:** **US D948,691 S**

(45) **Date of Patent:** **** Apr. 12, 2022**

(54) **DEHUMIDIFIER**

(71) Applicant: **Dongguan Aotian Mould Co., Ltd.**,
Dongguan (CN)

(72) Inventor: **Dongguo Chen**, Dongguan (CN)

(**) Term: **15 Years**

(21) Appl. No.: **29/766,191**

(22) Filed: **Jan. 14, 2021**

(51) **LOC (13) Cl.** **23-04**

(52) **U.S. Cl.**
USPC **D23/359**

(58) **Field of Classification Search**

USPC D23/355–366, 352, 369, 332, 333, 335,
D23/336, 342, 351; 422/120, 122;
55/356, 473, 504; 96/97; 261/DIG. 17,
261/DIG. 65, DIG. 88, DIG. 31
CPC .. A61L 9/16; A61L 9/22; B01D 47/00; B01D
47/027; B01D 2221/02; B01D 2259/4508;
B03C 3/155; B03C 3/368; F24F 3/16;
F24F 13/20; F24F 13/28

See application file for complete search history.

(56) **References Cited**

U.S. PATENT DOCUMENTS

D797,270 S * 9/2017 McDonnell D23/356
D803,369 S * 11/2017 Kim D23/364
D806,844 S * 1/2018 Kim D23/364
D806,845 S * 1/2018 Kim D23/364
D807,998 S * 1/2018 Kim D23/364
D818,097 S * 5/2018 Cho D23/364
D818,099 S * 5/2018 Cho D23/364

D820,422 S * 6/2018 Kim D23/364
D840,009 S * 2/2019 Suarez D23/328
D865,932 S * 11/2019 Ha D23/356
D903,076 S * 11/2020 Copparstad D23/354
2015/0176834 A1* 6/2015 Avedon F04D 29/005
415/121.3
2017/0122586 A1* 5/2017 Son F24F 13/20

* cited by examiner

Primary Examiner — David G Muller

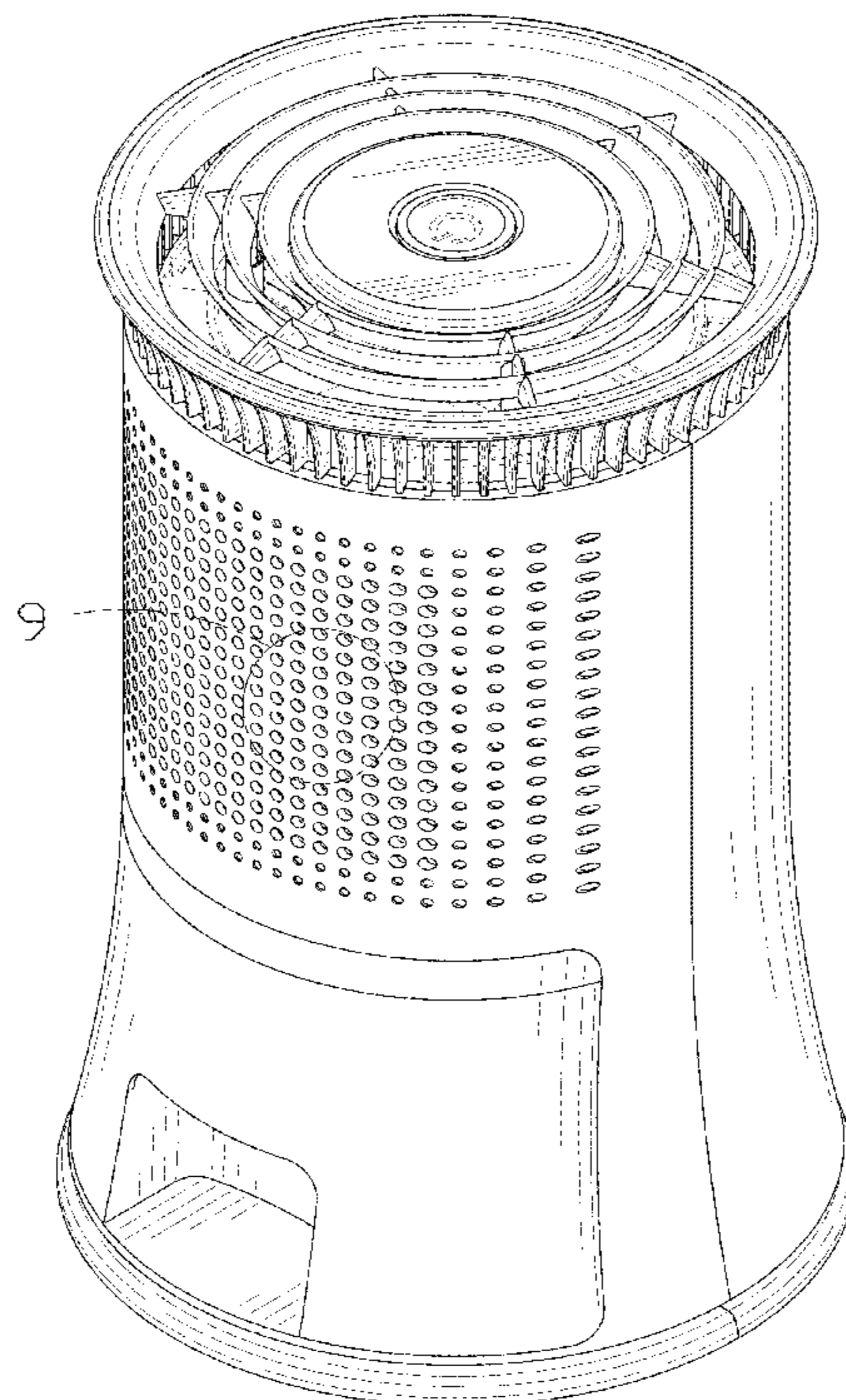
(57) **CLAIM**

The ornamental design for a dehumidifier, as shown and described.

DESCRIPTION

FIG. 1 is a first perspective view of a dehumidifier showing my new design;
FIG. 2 is a second perspective view thereof;
FIG. 3 is a front view thereof;
FIG. 4 is a back view thereof;
FIG. 5 is a left side view thereof;
FIG. 6 is a right side view thereof;
FIG. 7 is atop view thereof;
FIG. 8 is a bottom view thereof;
FIG. 9 is an enlarged view of the selected portion in FIG. 1; and,
FIG. 10 is an enlarged view of the selected portion in FIG. 2.
The broken lines shown in the drawings depict portions of the dehumidifier in which the design is embodied that form no part of the claimed design.

1 Claim, 10 Drawing Sheets



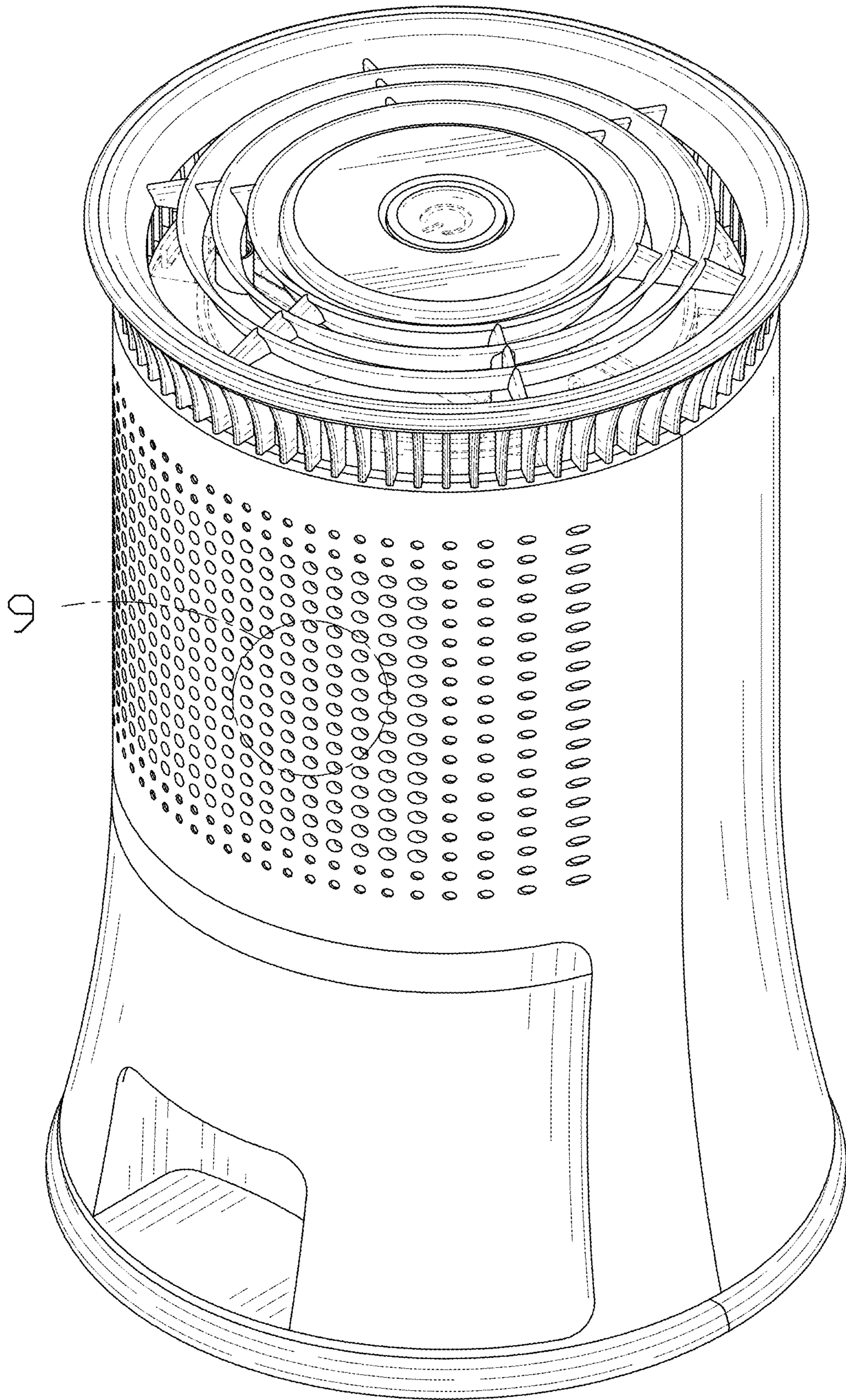


FIG. 1

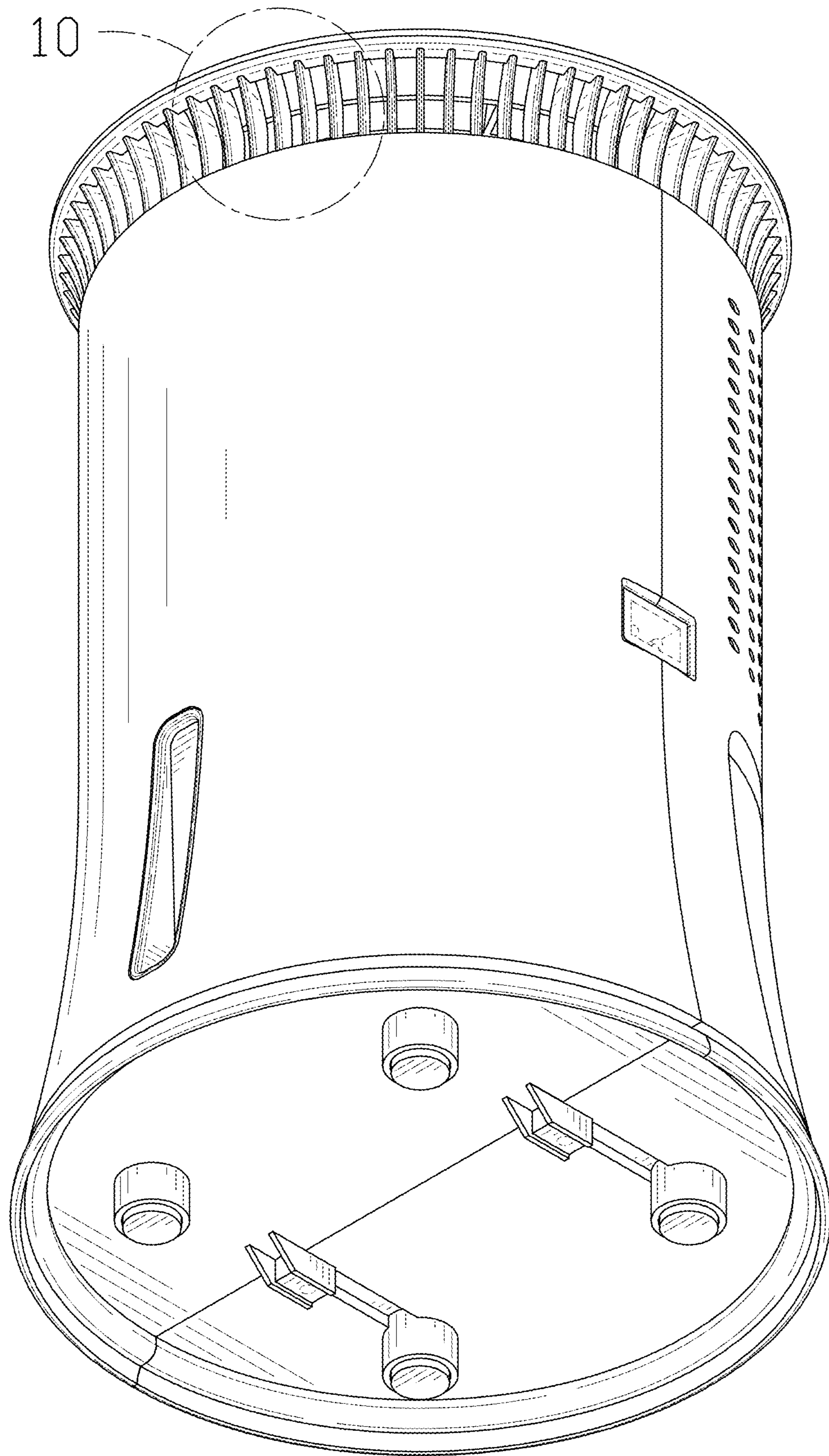


FIG. 2

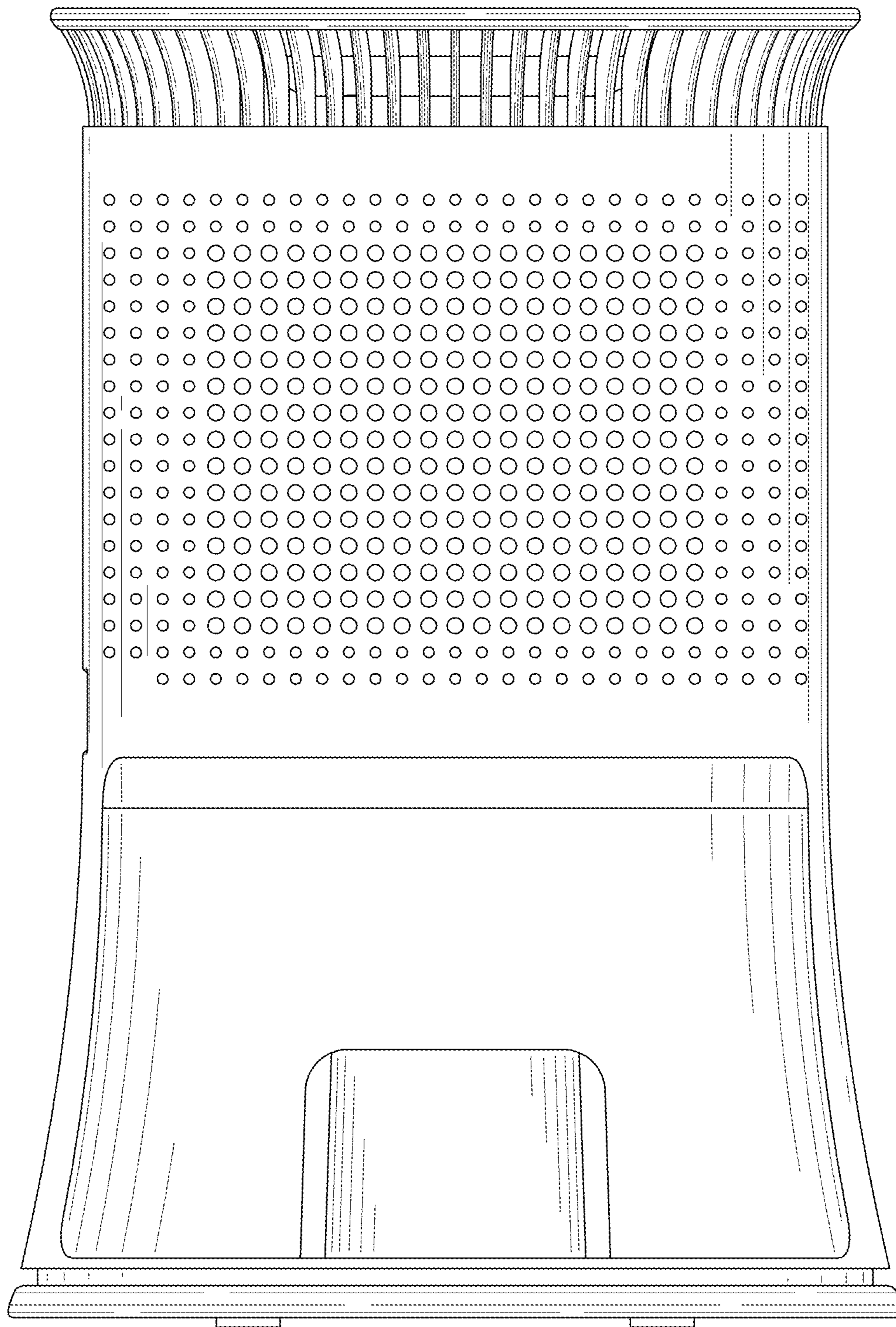


FIG. 3

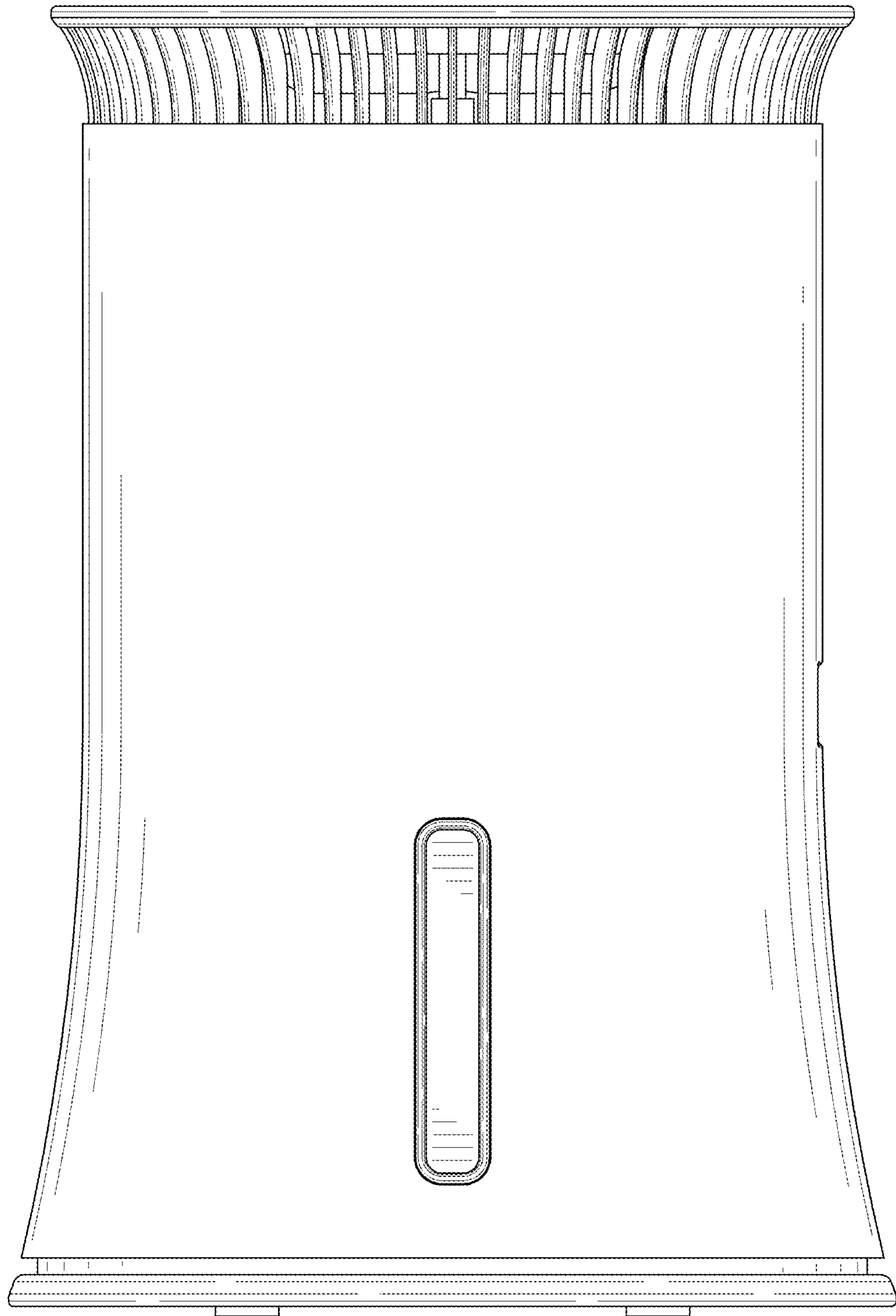


FIG. 4

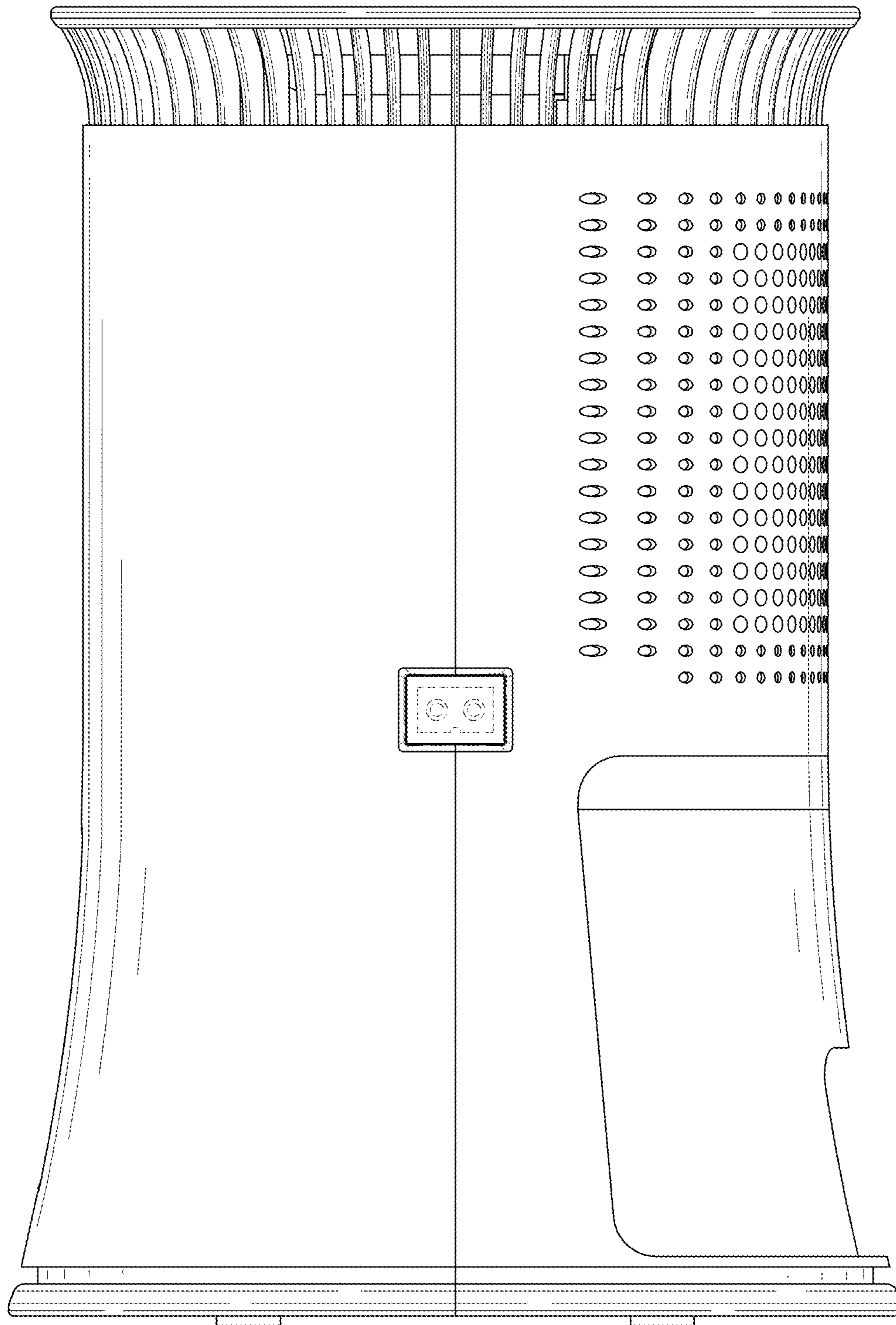


FIG. 5

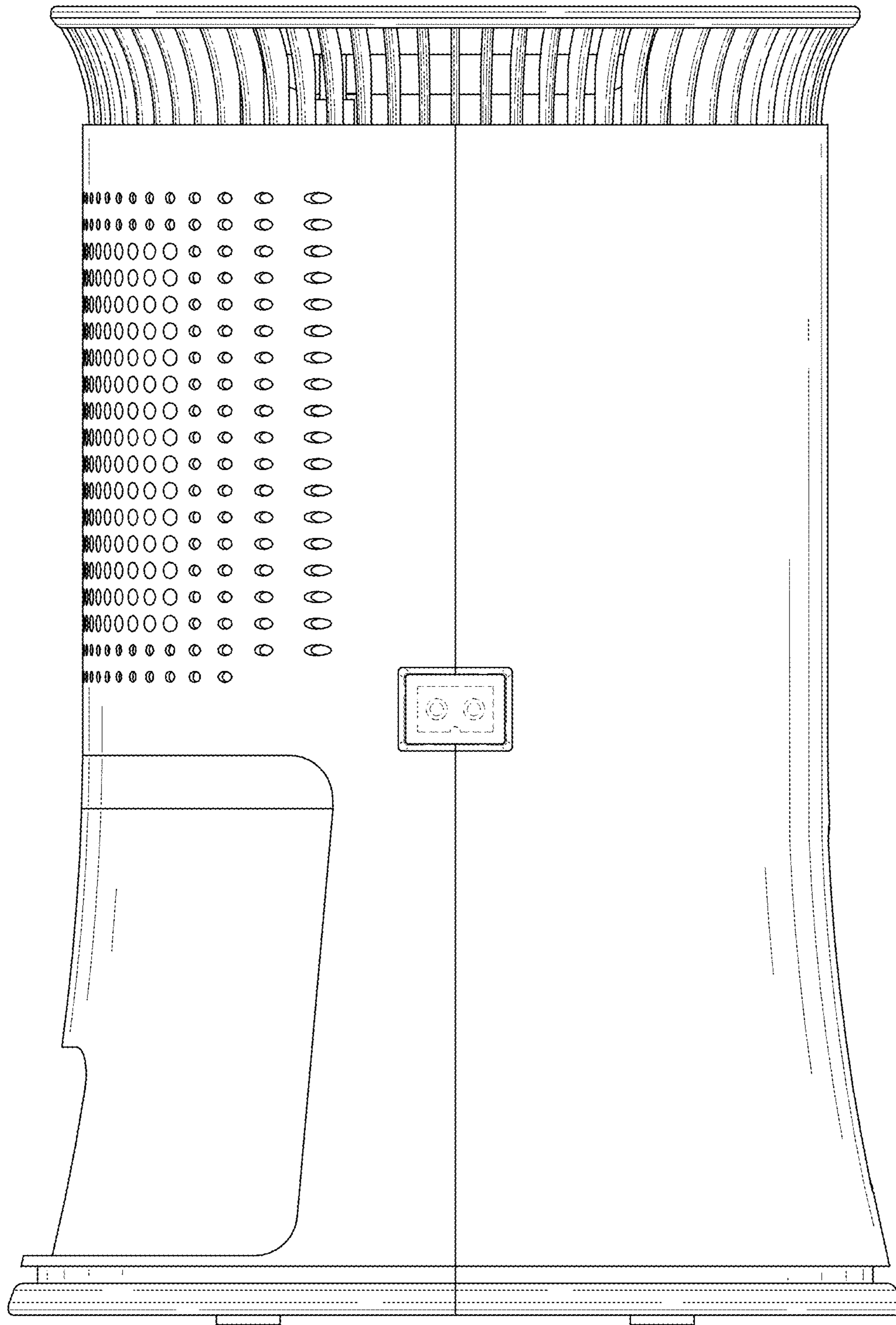


FIG. 6

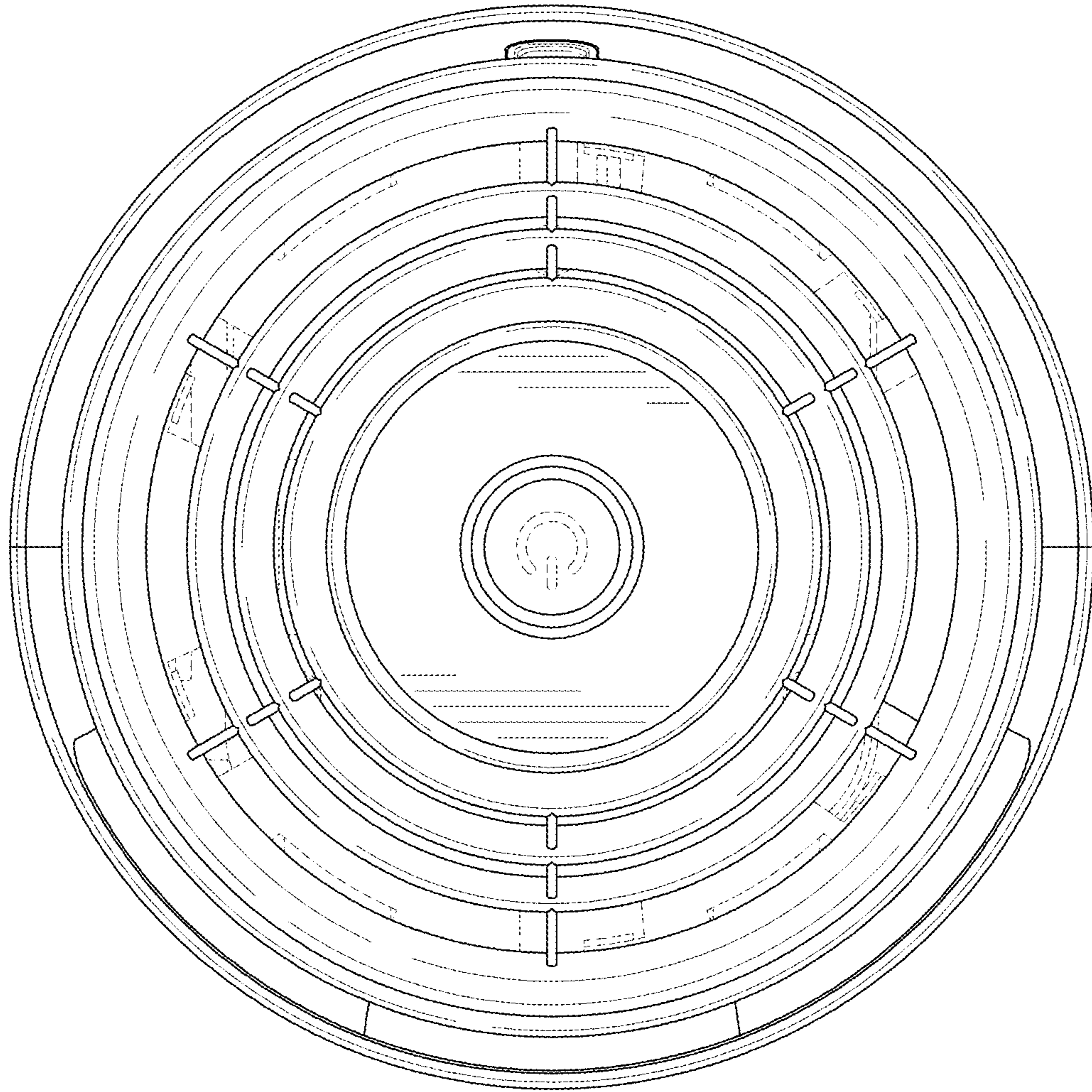


FIG. 7

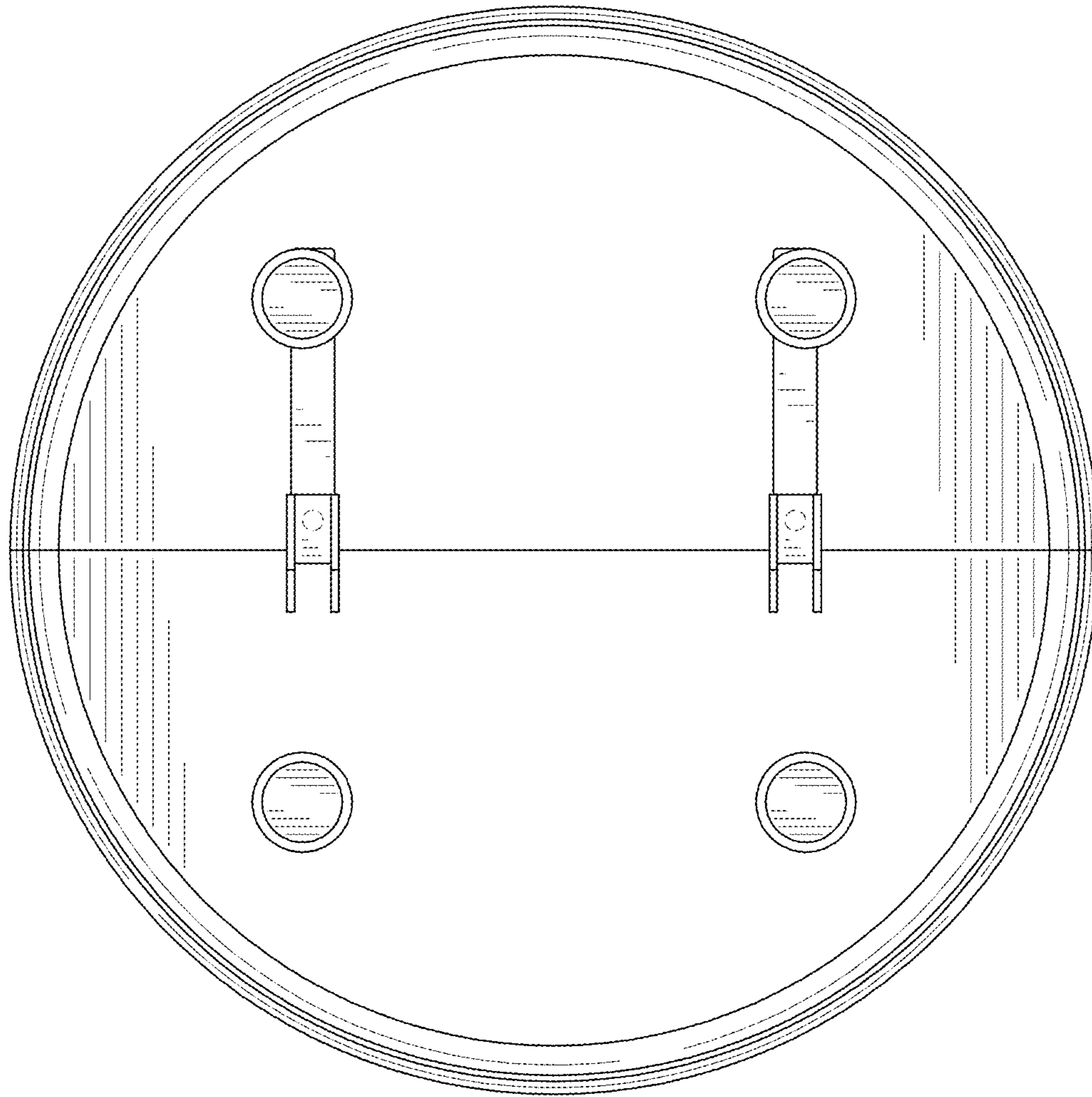


FIG. 8

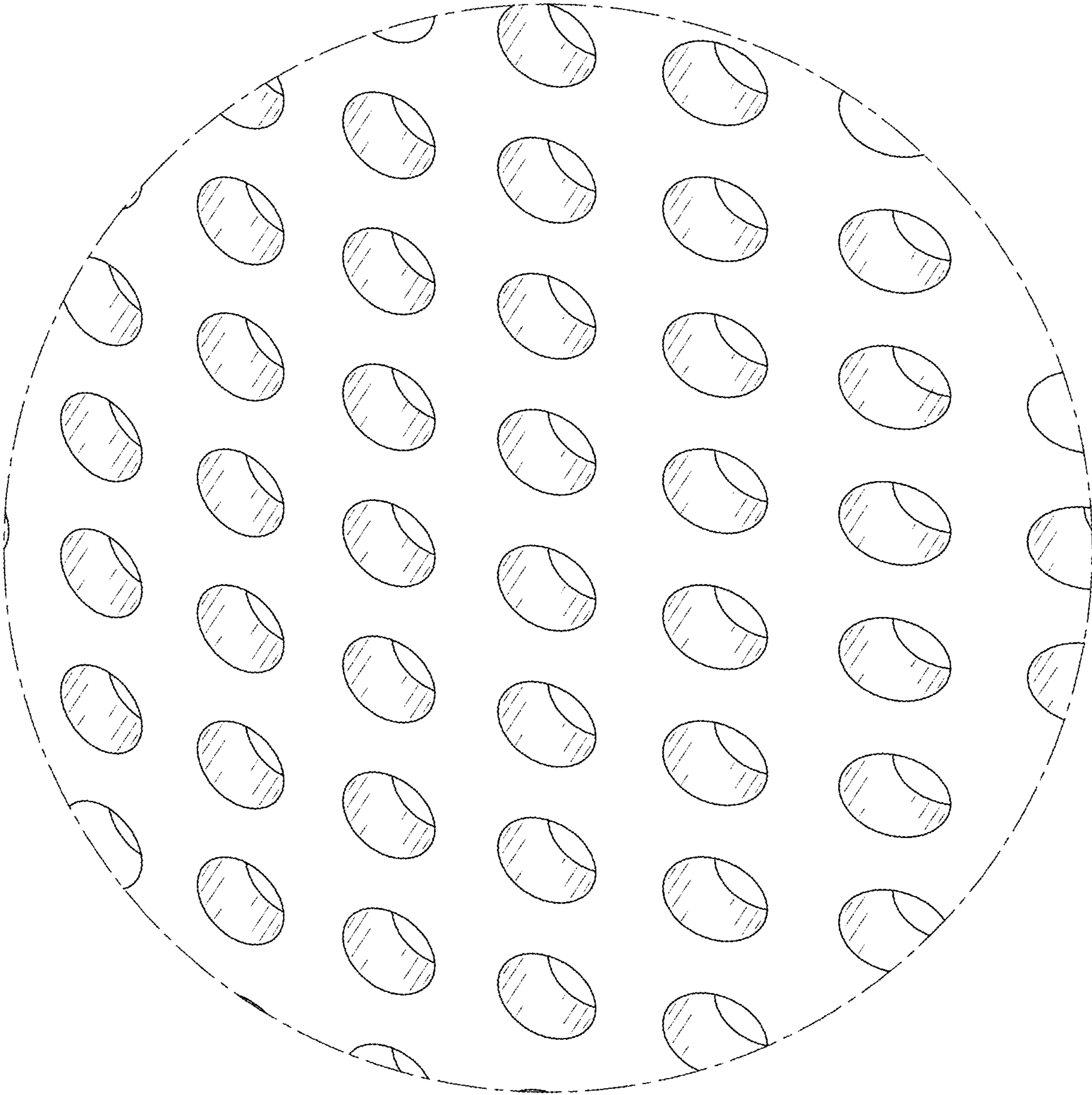


FIG. 9

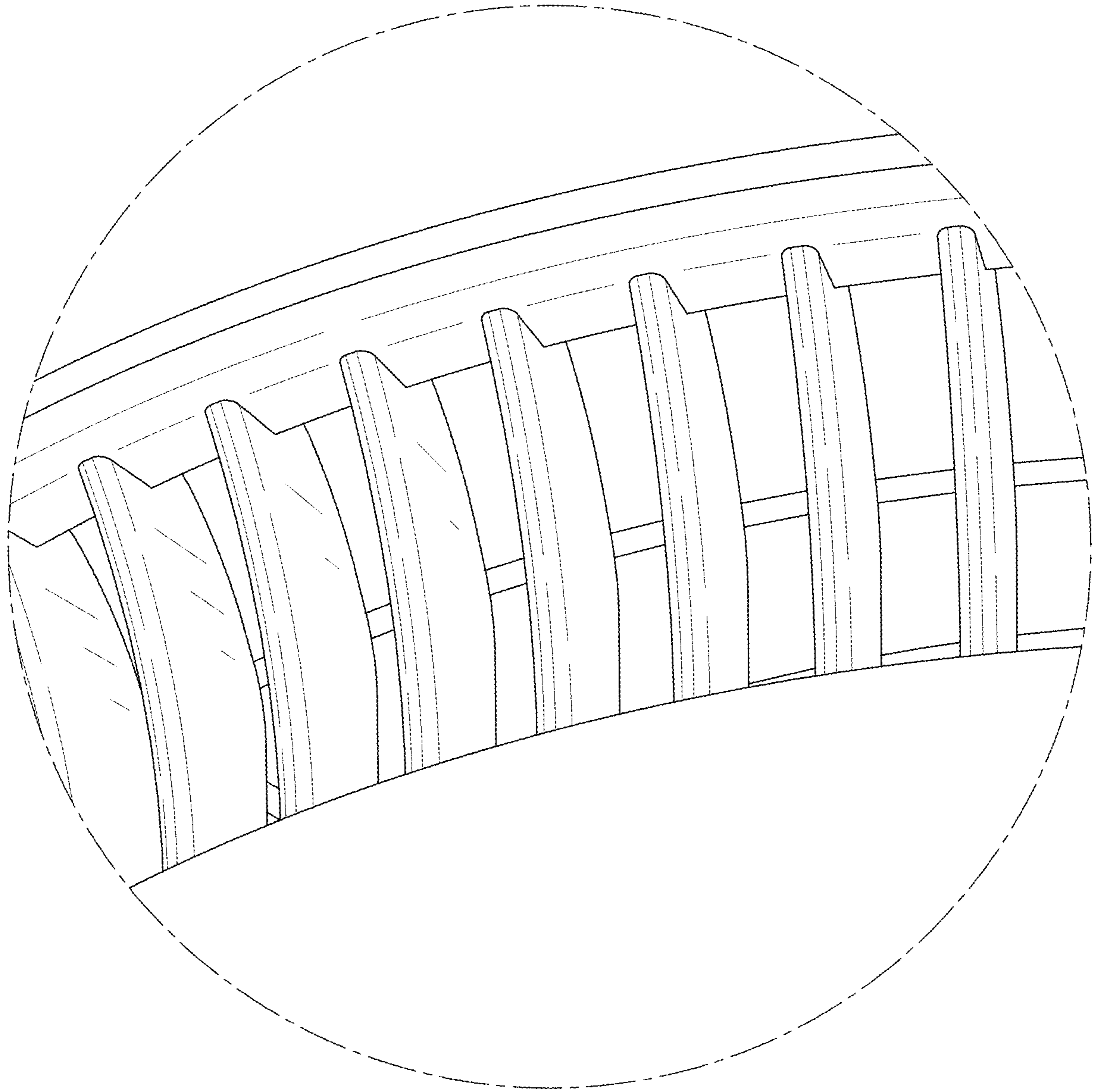


FIG. 10