



US00D948684S

(12) **United States Design Patent** (10) **Patent No.:** **US D948,684 S**  
**Smith** (45) **Date of Patent:** **\*\* Apr. 12, 2022**

(54) **CONCRETE FIRE BOWL**  
(71) Applicant: **Zachary Alan Smith**, San Diego, CA (US)  
(72) Inventor: **Zachary Alan Smith**, San Diego, CA (US)  
(73) Assignee: **Zachary Alan Designs LLC**, San Diego, CA (US)  
(\*\*) Term: **15 Years**  
(21) Appl. No.: **29/755,252**  
(22) Filed: **Oct. 19, 2020**  
(51) **LOC (13) Cl.** ..... **23-03**  
(52) **U.S. Cl.**  
USPC ..... **D23/343**  
(58) **Field of Classification Search**  
USPC ..... D23/332, 314, 343, 348, 350, 346, 336, D23/341, 342, 345; D7/332-337, D7/402-405, 352, 587; D8/400, 499, D8/356, 352; D13/156; D11/143, 152, D11/154, 155, 156, 164; D26/9, 15, 21, D26/22  
CPC ..... F24C 1/16; F24C 5/00; F24C 3/14; A47J 33/00; A47J 37/0763; A47J 37/07; F24B 1/18; F24B 1/182; F24B 1/1808; F24B 1/181; F24B 1/195; F24B 1/191  
See application file for complete search history.

D879,520 S \* 3/2020 Cully ..... D6/686  
D914,174 S \* 3/2021 Smith ..... D23/343  
D914,175 S \* 3/2021 Smith ..... D23/343  
D914,176 S \* 3/2021 Smith ..... D23/343  
2006/0266351 A1\* 11/2006 Griffin ..... F24C 1/04 126/523

(Continued)

**FOREIGN PATENT DOCUMENTS**

GB 4012254 \* 1/2010

**OTHER PUBLICATIONS**

QCP UFO <https://qcp-corp.com/detail/ufo/1047> (Year: 2021).\*

*Primary Examiner* — Ania Aman  
(74) *Attorney, Agent, or Firm* — Lewis Kohn & Walker LLP; Kent M. Walker; Kari Moyer-Henry

(57) **CLAIM**

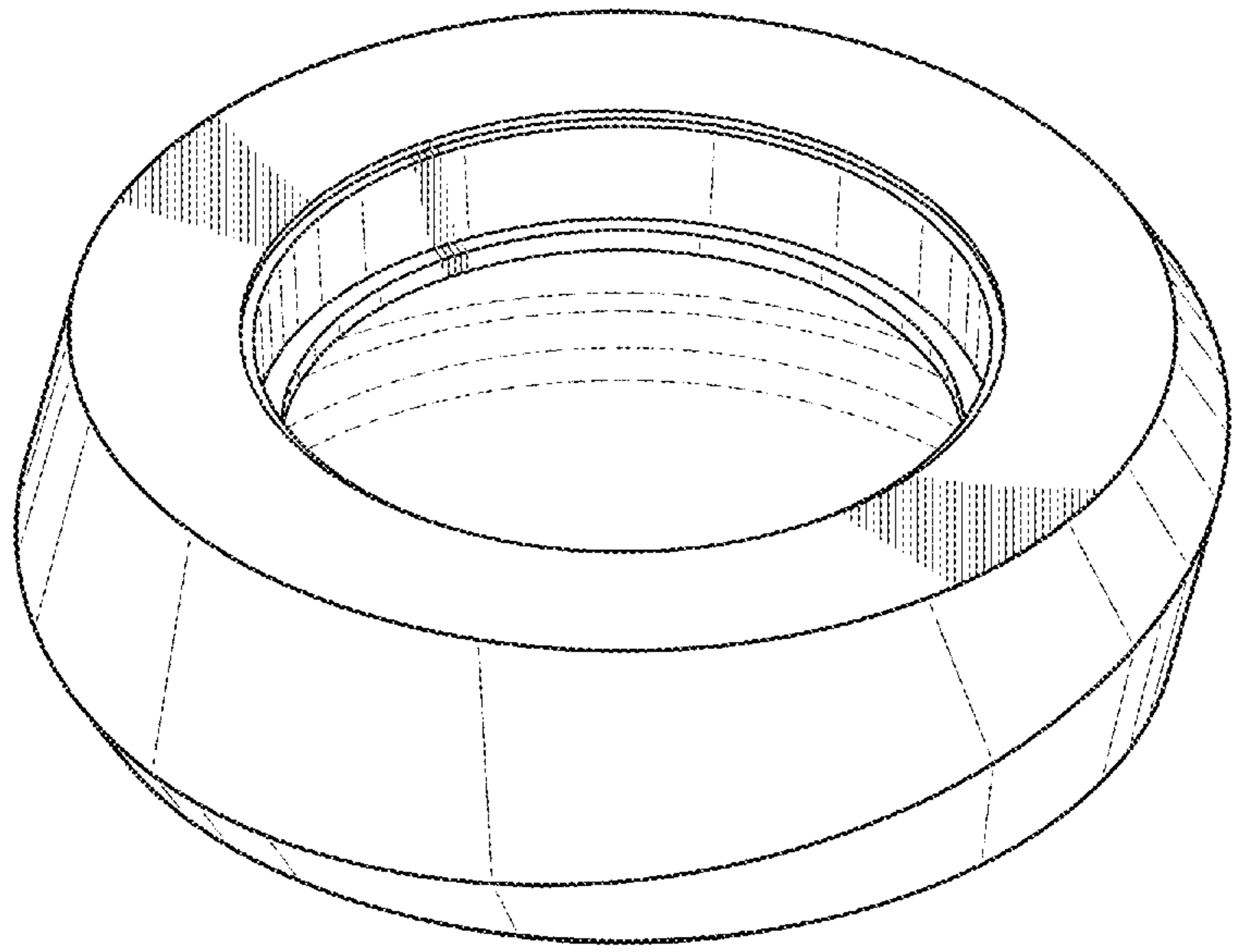
The ornamental design for a concrete fire bowl, as shown and described.

**DESCRIPTION**

FIG. 1 is a top perspective view of the concrete fire bowl embodied in the present invention;  
FIG. 2 is a top view of the concrete fire bowl from FIG. 1;  
FIG. 3 is an end view of the concrete fire bowl from FIG. 1;  
FIG. 4 is a bottom view of the concrete fire bowl from FIG. 1;  
FIG. 5 is a side view of the concrete fire bowl of FIG. 1; and,  
FIG. 6 is a side perspective view of the concrete fire bowl of FIG. 1.  
The broken lines shown in FIGS. 1 and 4 are included for the purpose of illustrating portions of the article that form no part of the claimed design. The broken lines shown in FIG. 6 are included for the purpose of illustrating environmental context and forms no part of the claimed design.

**1 Claim, 4 Drawing Sheets**

(56) **References Cited**  
**U.S. PATENT DOCUMENTS**  
6,055,773 A \* 5/2000 Yang ..... A01G 9/02 119/61.1  
D718,501 S \* 11/2014 Byrne ..... D30/160  
D769,148 S \* 10/2016 Siegel ..... D11/152  
D814,345 S \* 4/2018 Siegel ..... D11/152  
D869,241 S \* 12/2019 Ellison ..... D7/587  
D871,159 S \* 12/2019 Ellison ..... D7/587



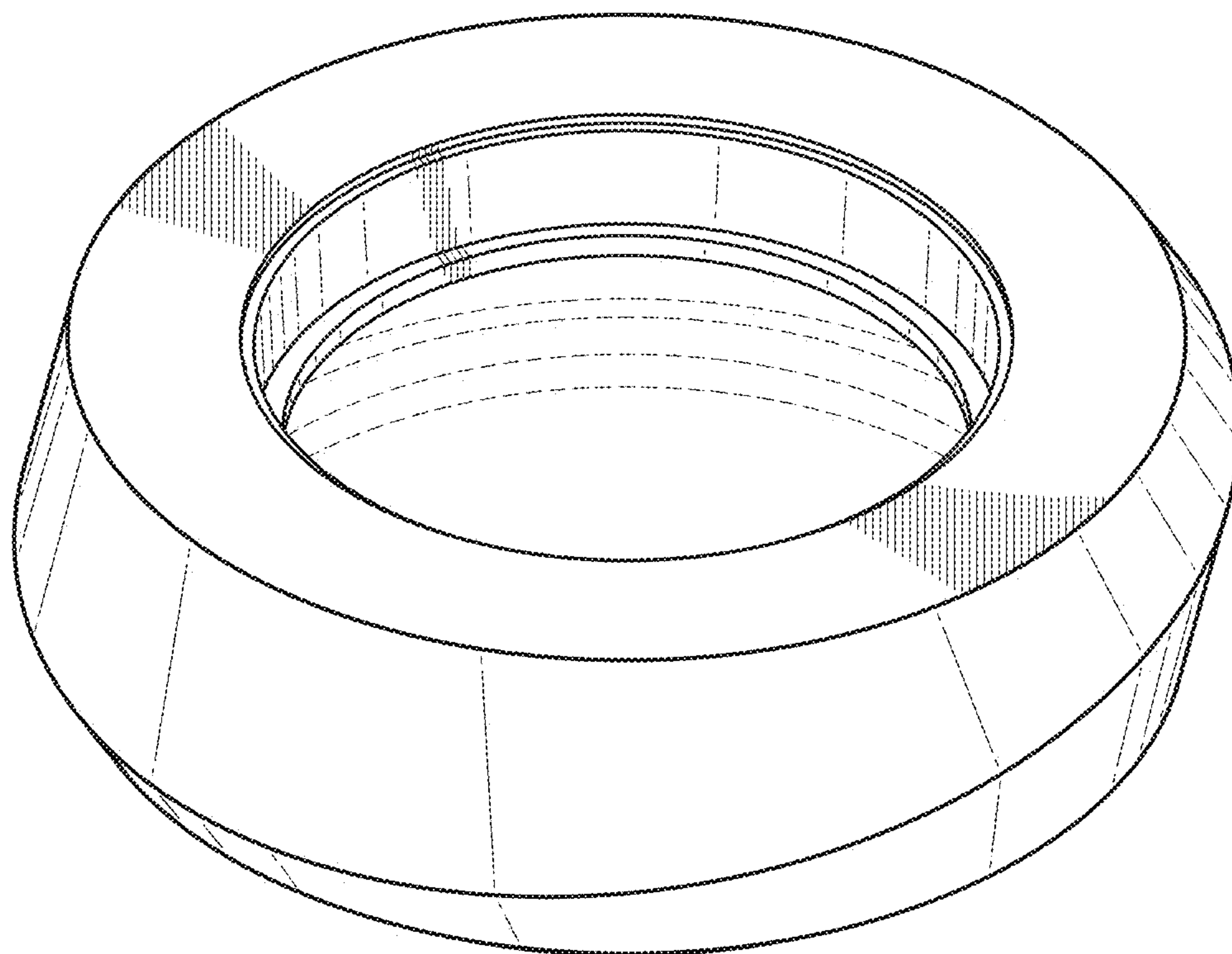
(56)

**References Cited**

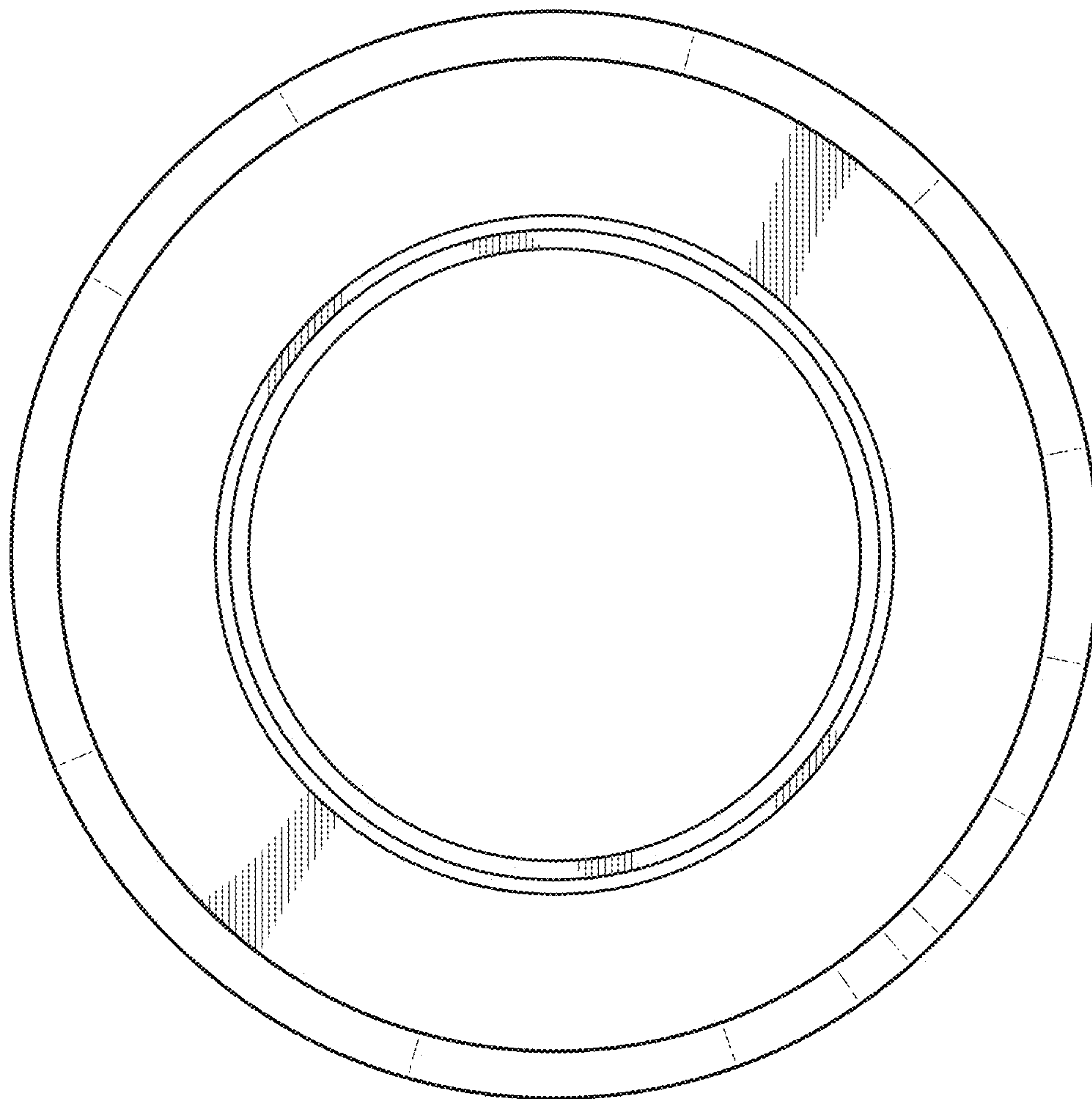
U.S. PATENT DOCUMENTS

2014/0174427 A1\* 6/2014 Yuen ..... A47J 37/067  
126/25 R  
2016/0327266 A1\* 11/2016 Le Blanc ..... B67D 7/305  
2019/0376692 A1\* 12/2019 Seera ..... F24B 1/181

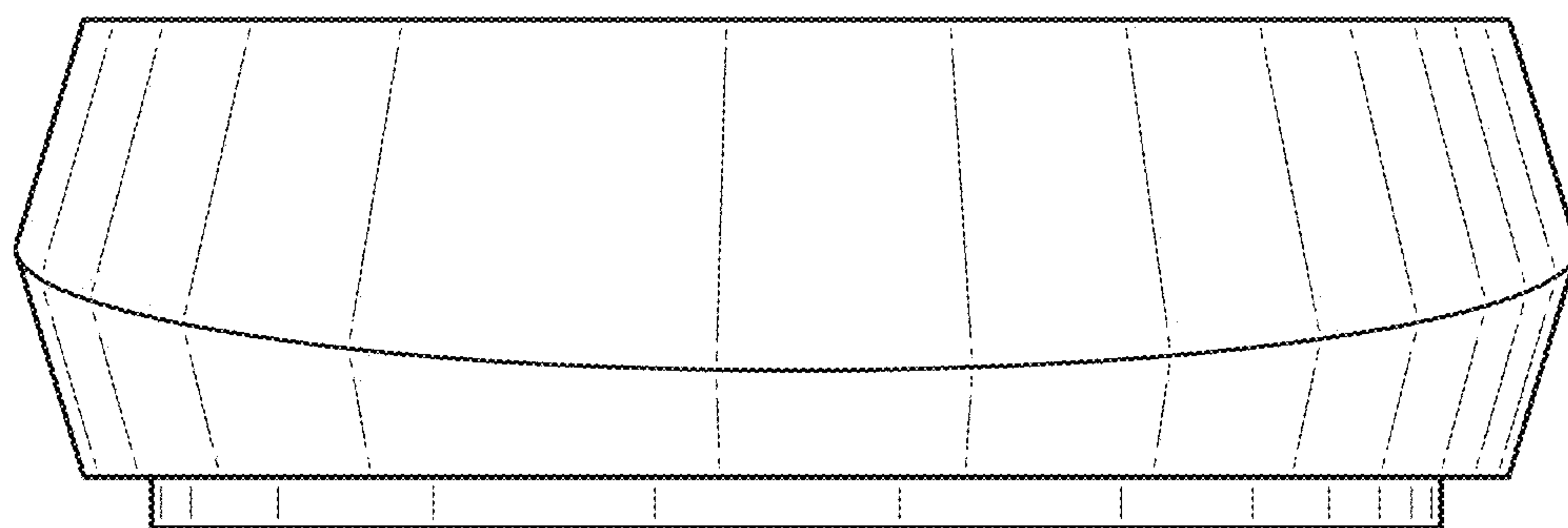
\* cited by examiner



*FIG. 1*

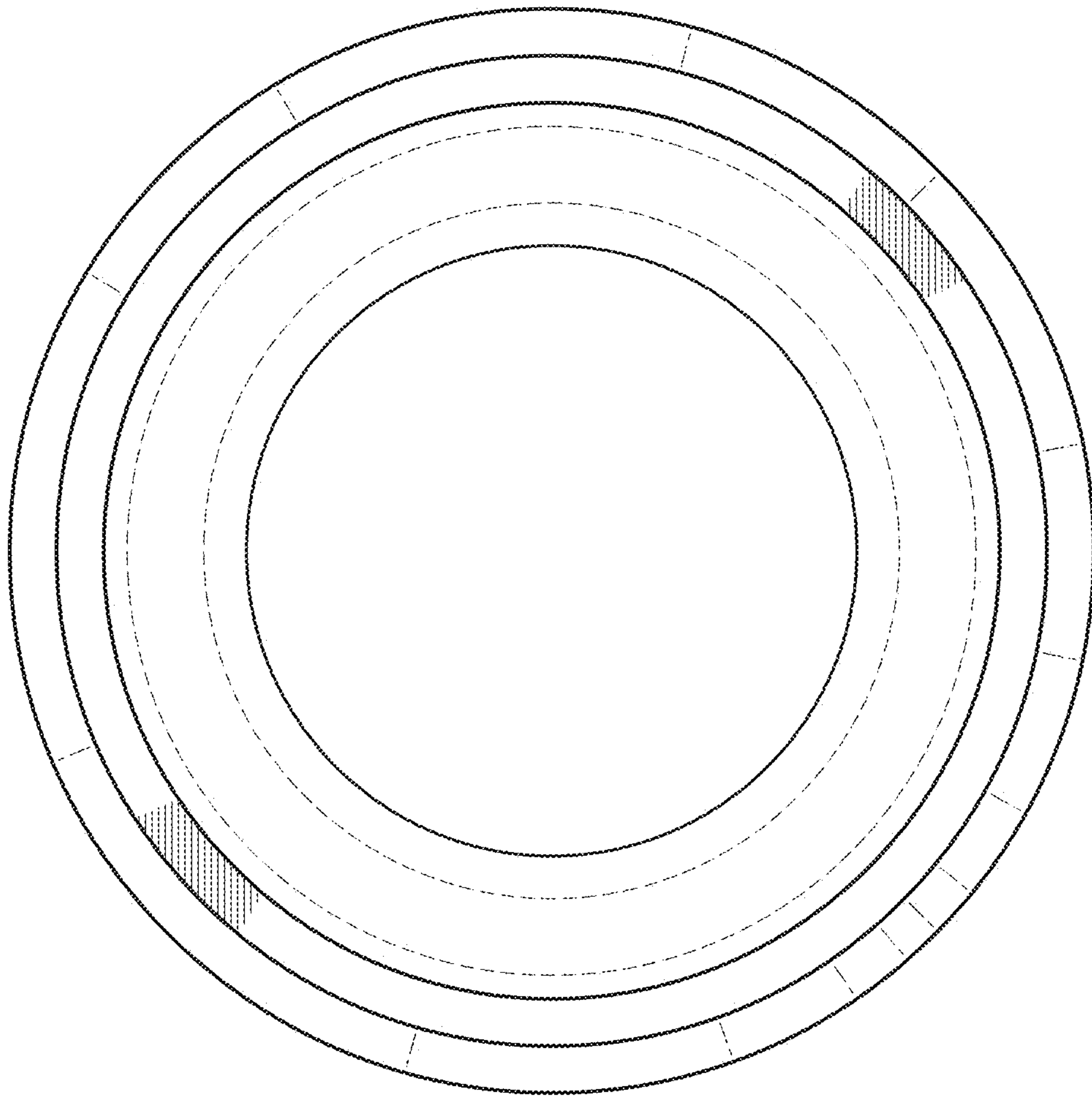


**FIG. 2**

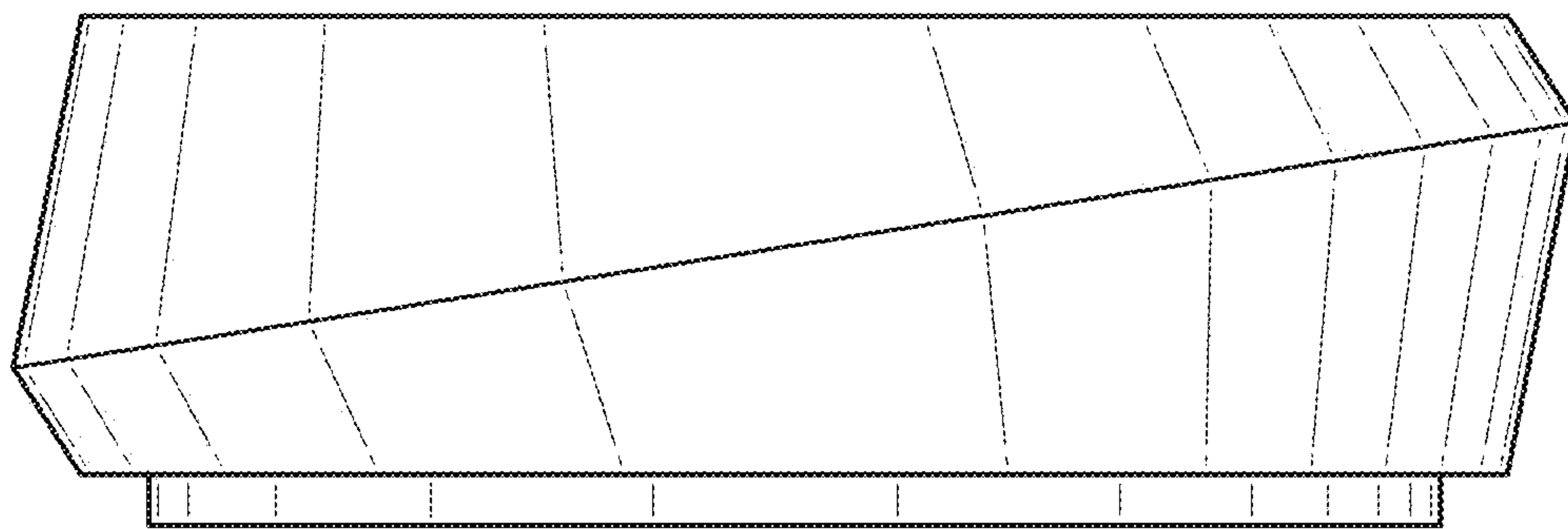


**FIG. 3**

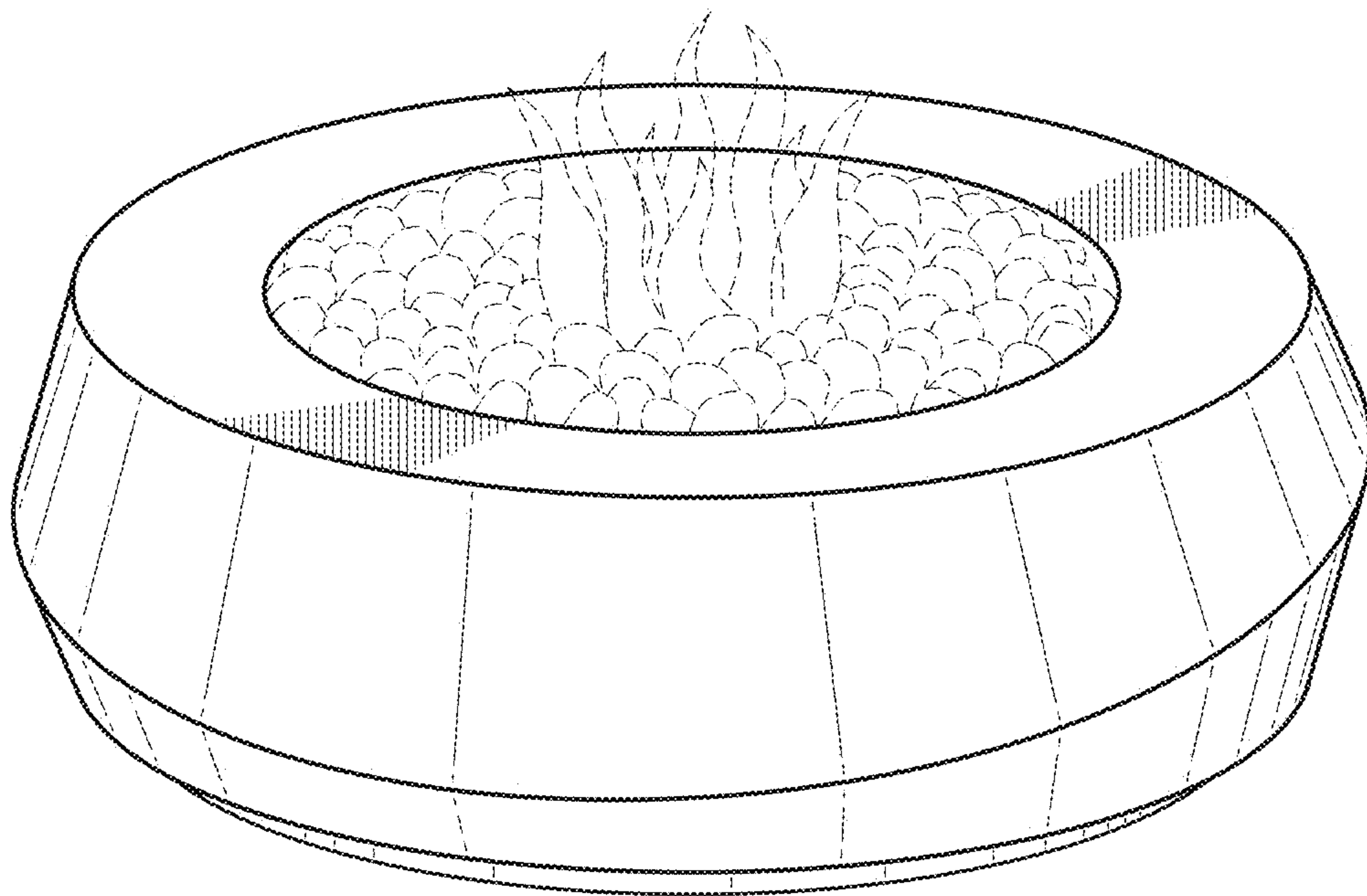




**FIG. 4**



**FIG. 5**



**FIG. 6**