



US00D948683S

(12) **United States Design Patent**
Smith

(10) **Patent No.:** **US D948,683 S**

(45) **Date of Patent:** **** Apr. 12, 2022**

(54) **CONCRETE FIRE BOWL**

(71) Applicant: **Zachary Alan Smith**, San Diego, CA
(US)

(72) Inventor: **Zachary Alan Smith**, San Diego, CA
(US)

(73) Assignee: **Zachary Alan Designs LLC**, San
Diego, CA (US)

(**) Term: **15 Years**

(21) Appl. No.: **29/754,685**

(22) Filed: **Oct. 13, 2020**

(51) **LOC (13) Cl.** **23-03**

(52) **U.S. Cl.**
USPC **D23/343**

(58) **Field of Classification Search**
USPC D23/332, 314, 343, 348, 350, 346, 336,
D23/341, 342, 345; D7/332-337,
D7/402-405, 352, 587; D8/400, 499,
D8/356, 352; D13/156; D11/143, 152,
D11/154, 155, 156, 164; D26/9, 15, 21,
D26/22

CPC F24C 1/16; F24C 5/00; F24C 3/14; A47J
33/00; A47J 37/0763; A47J 37/07; F24B
1/18; F24B 1/182; F24B 1/1808; F24B
1/181; F24B 1/195; F24B 1/191

See application file for complete search history.

(56) **References Cited**

U.S. PATENT DOCUMENTS

6,055,773 A * 5/2000 Yang A01G 9/02
119/61.1
D718,501 S * 11/2014 Byrne D30/160
D769,148 S * 10/2016 Siegel D11/152
D814,345 S * 4/2018 Siegel D11/152
D869,241 S * 12/2019 Ellison D7/587
D871,159 S * 12/2019 Ellison D7/587

D879,520 S * 3/2020 Cully D6/686
D914,174 S * 3/2021 Smith D23/343
D914,175 S * 3/2021 Smith D23/343
D914,176 S * 3/2021 Smith D23/343

(Continued)

FOREIGN PATENT DOCUMENTS

GB 4012254 * 1/2010

OTHER PUBLICATIONS

Amazon Elementi Lunar Bowl Cast Concrete Fire Pit—Natural Gas
https://www.amazon.com/dp/B01N01YCII/ref=cm_sw_r_em_api_glt_fabc_FC3MA3PM7Y4CQNNFGSTR (Year: 2020).*

(Continued)

Primary Examiner — Ania Aman

(74) *Attorney, Agent, or Firm* — Lewis Kohn & Walker
LLP; Kent M. Walker; Kari Moyer-Henry

(57) **CLAIM**

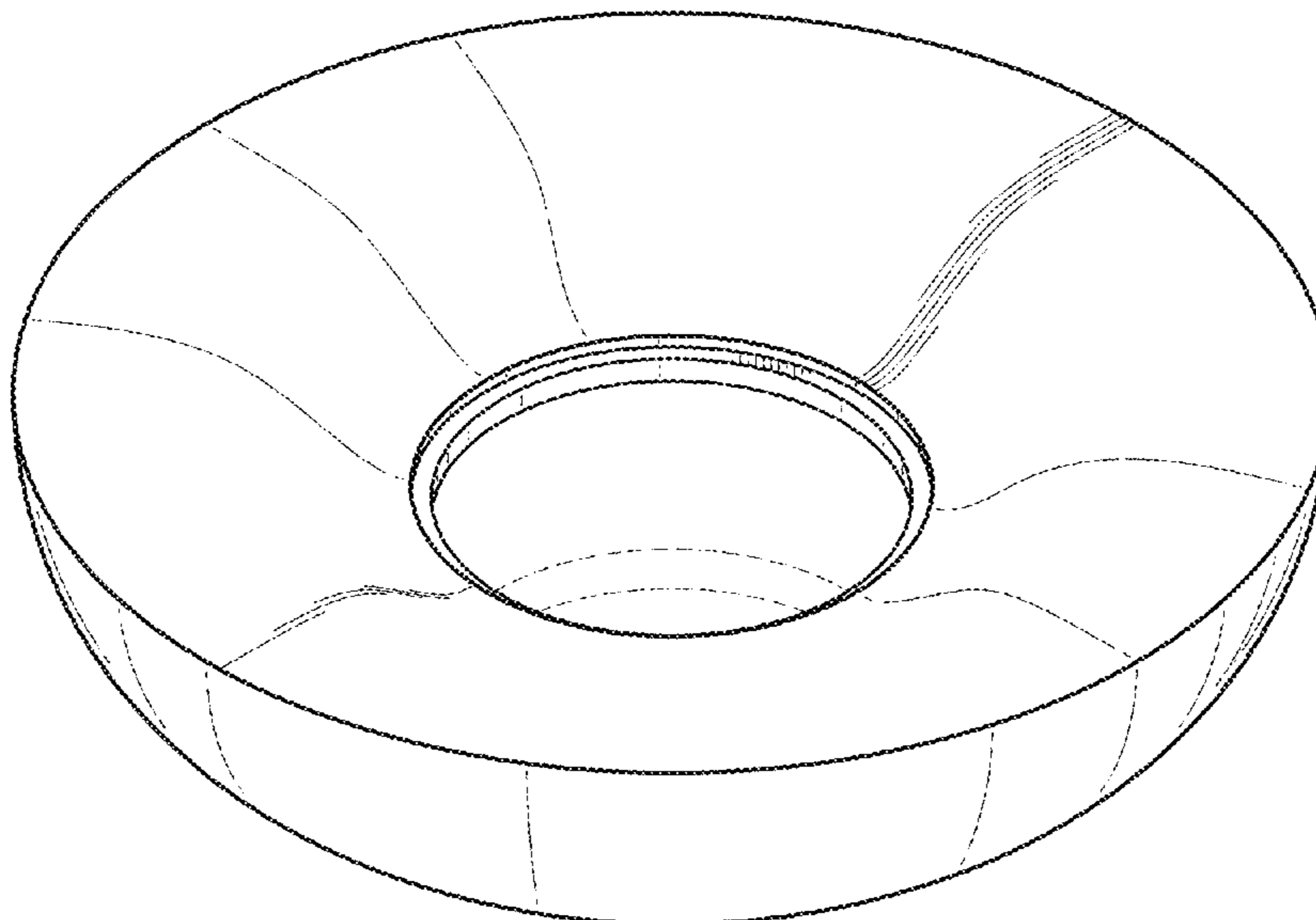
The ornamental design for a concrete fire bowl, as shown
and described.

DESCRIPTION

FIG. 1 is a top perspective view of the concrete fire bowl
embodied in the present invention;
FIG. 2 is a top view of the concrete fire bowl from FIG. 1;
FIG. 3 is a side view of the concrete fire bowl from FIG. 1;
FIG. 4 is a bottom view of the concrete fire bowl from FIG.
1; and,
FIG. 5 is a side perspective view of the concrete fire bowl
of FIG. 1.

The broken lines shown in FIGS. 1 and 4 are included for the
purpose of illustrating portions of the article that form no
part of the claimed design. The broken lines shown in FIG.
5 are included for the purpose of illustrating environmental
context and forms no part of the claimed design.

1 Claim, 4 Drawing Sheets



(56)

References Cited

U.S. PATENT DOCUMENTS

2006/0266351 A1* 11/2006 Griffin F24C 1/04
126/523
2014/0174427 A1* 6/2014 Yuen A47J 37/067
126/25 R
2016/0327266 A1* 11/2016 Le Blanc B67D 7/305
2019/0376692 A1* 12/2019 Seera F24B 1/181

OTHER PUBLICATIONS

Amazon A Fire Pit for Your Patio Table. Landscape Quality Table-top Fire Bowl Made of Concrete with 40,000 BTU Stainless Steel Burner. Runs on Propane. https://www.amazon.com/dp/B01FMWA8LQ/ref=cm_sw_r_em_api_glt_fabc_XA1AQYJ4A34CSJTAY42A?psc=1 (Year: 2018).*

* cited by examiner

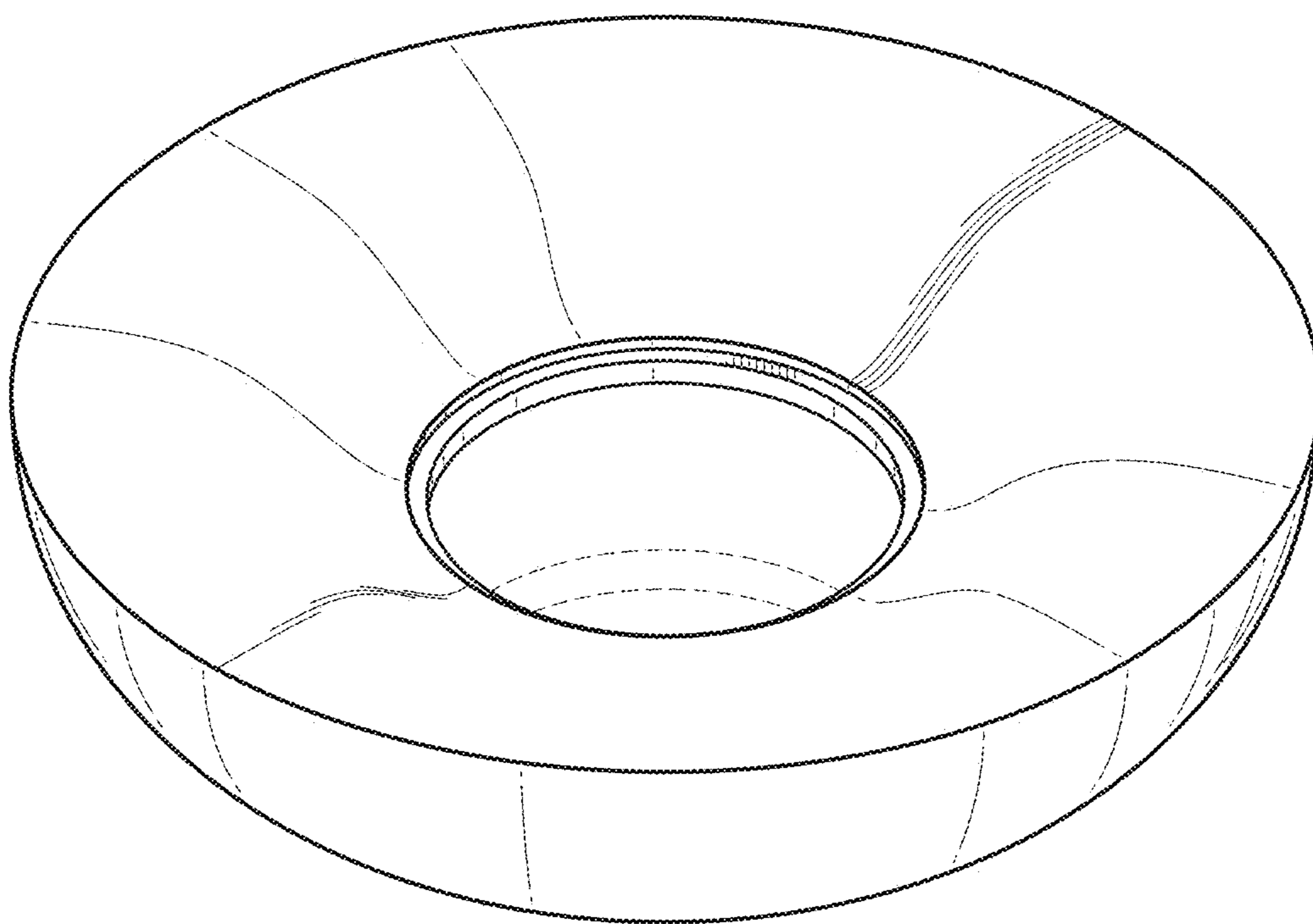


FIG. 1

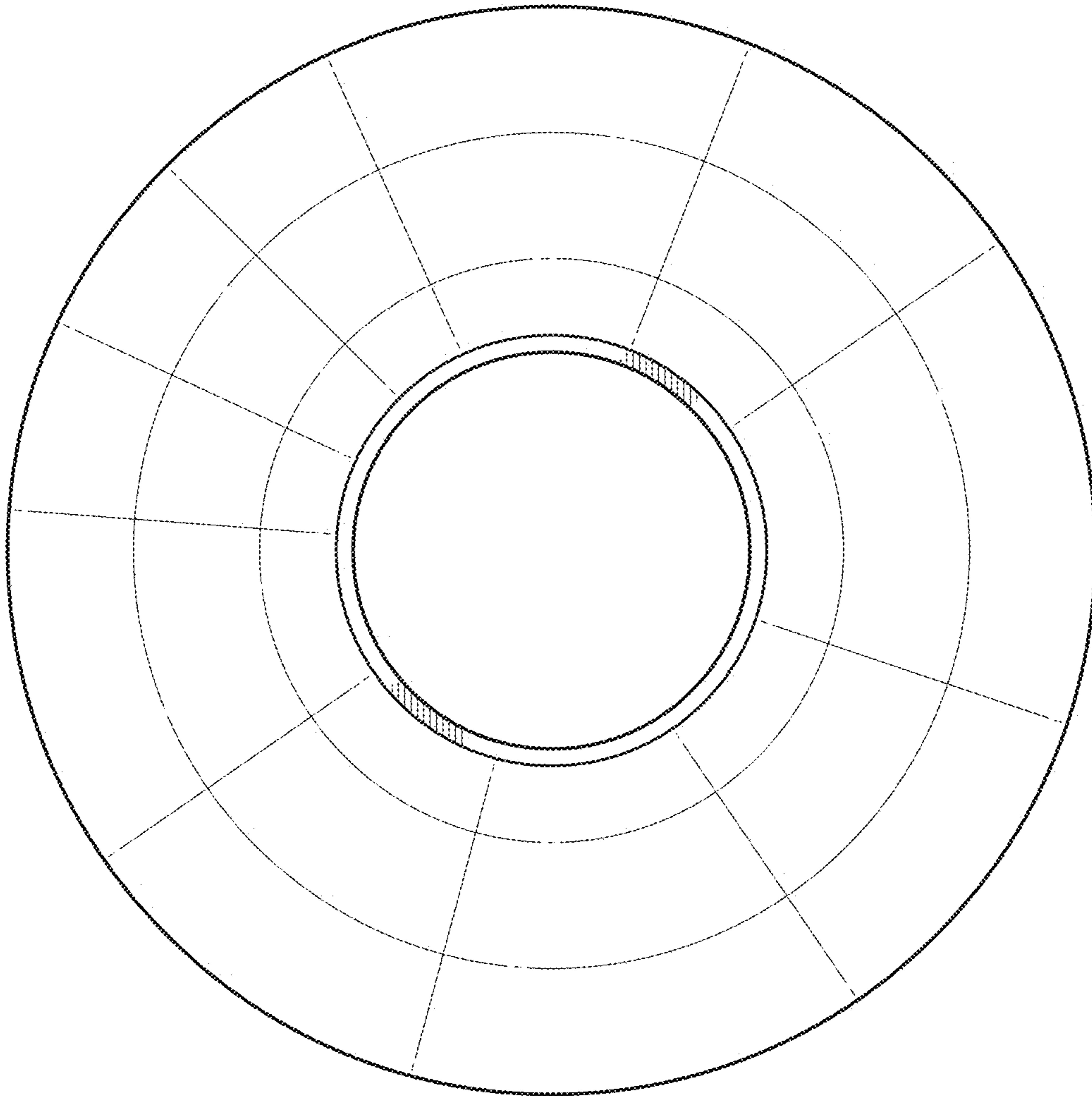


FIG. 2

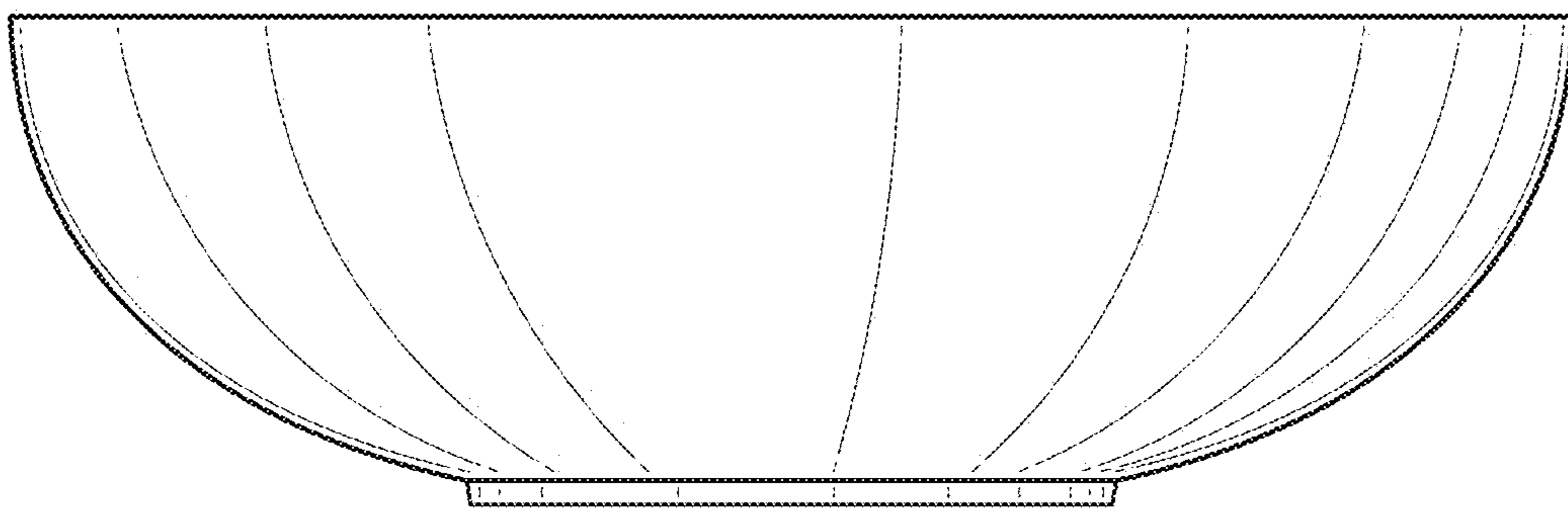


FIG. 3

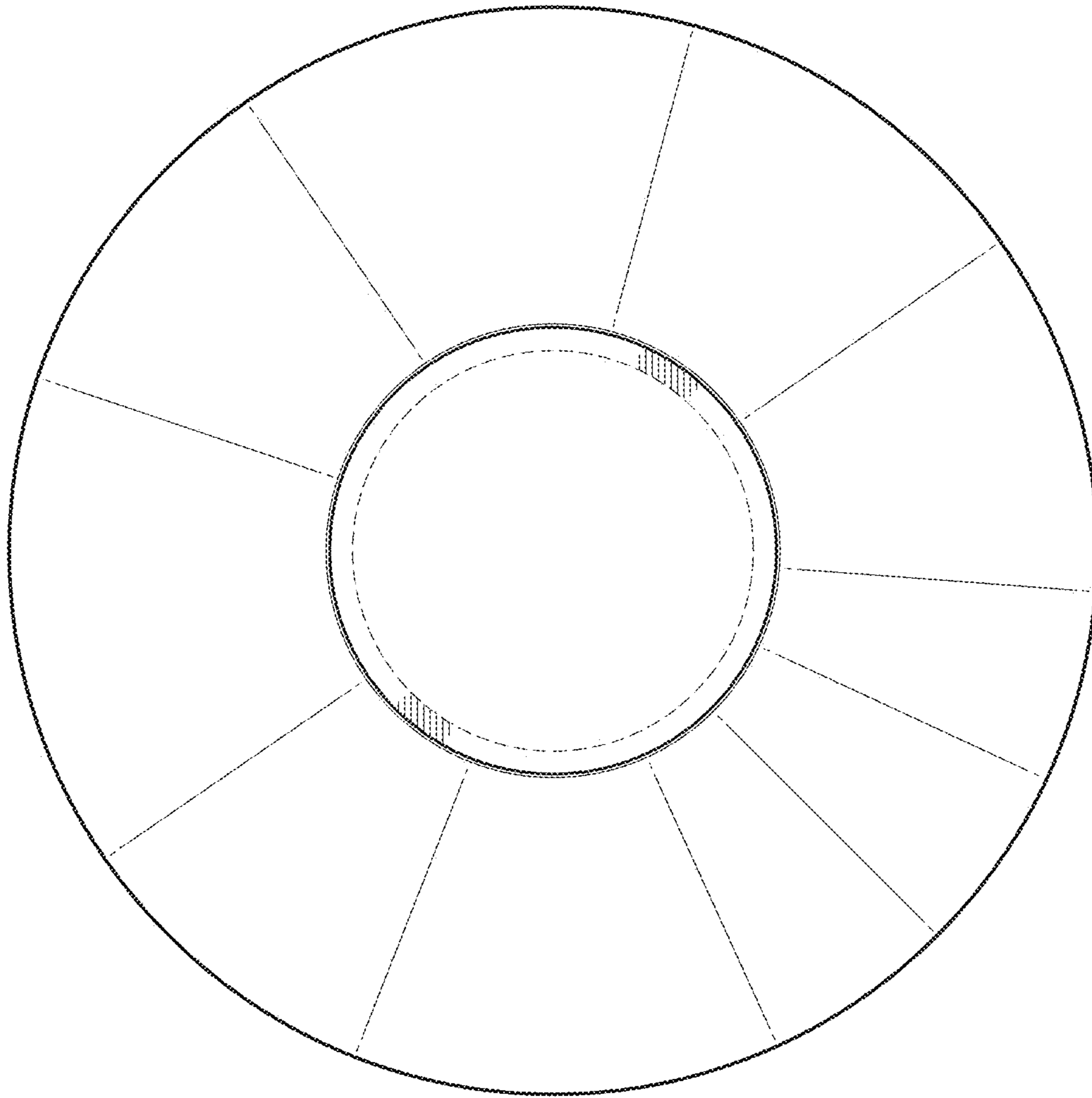


FIG. 4

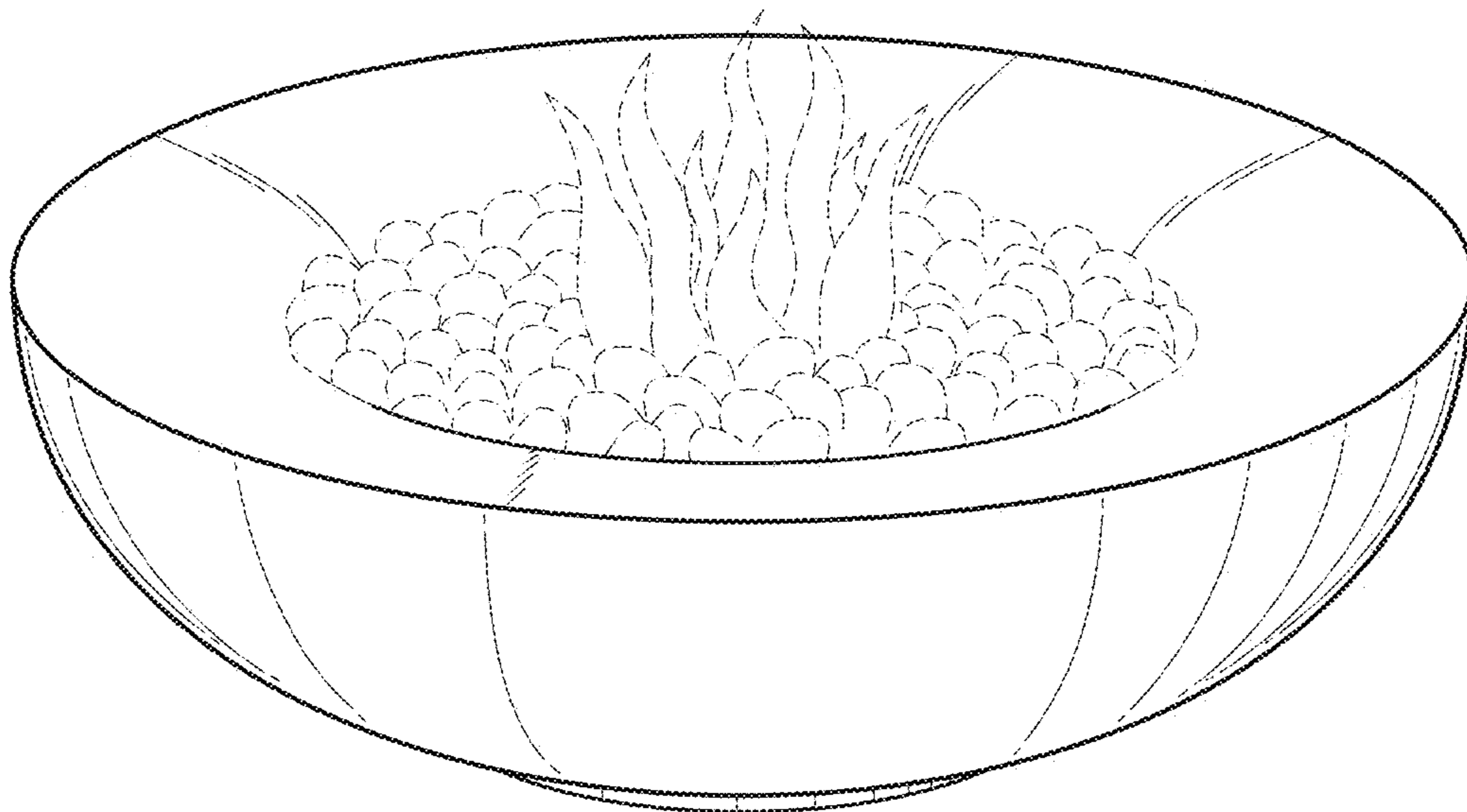


FIG. 5