



US00D948682S

(12) **United States Design Patent**
Smith

(10) **Patent No.:** **US D948,682 S**

(45) **Date of Patent:** **** Apr. 12, 2022**

- (54) **CONCRETE FIRE BOWL**
- (71) Applicant: **Zachary Alan Smith**, San Diego, CA (US)
- (72) Inventor: **Zachary Alan Smith**, San Diego, CA (US)
- (73) Assignee: **Zachary Alan Designs LLC**, San Diego, CA (US)
- (**) Term: **15 Years**
- (21) Appl. No.: **29/754,679**
- (22) Filed: **Oct. 13, 2020**
- (51) **LOC (13) Cl.** **23-03**
- (52) **U.S. Cl.**
USPC **D23/343**
- (58) **Field of Classification Search**
USPC D23/332, 314, 343, 348, 350, 346, 336, D23/341, 342, 345; D7/332-337, D7/402-405, 352, 587; D8/400, 499, D8/356, 352; D13/156; D11/143, 152, D11/154, 155, 156, 164; D26/9, 15, 21, D26/22
CPC F24C 1/16; F24C 5/00; F24C 3/14; A47J 33/00; A47J 37/0763; A47J 37/07; F24B 1/18; F24B 1/182; F24B 1/1808; F24B 1/181; F24B 1/195; F24B 1/191
See application file for complete search history.

D869,241 S *	12/2019	Ellison	D7/587
D871,159 S *	12/2019	Ellison	D7/587
D879,520 S *	3/2020	Cully	D6/686
D914,174 S *	3/2021	Smith	D23/343
D914,175 S *	3/2021	Smith	D23/343
D914,176 S *	3/2021	Smith	D23/343
2006/0266351 A1 *	11/2006	Griffin	F24C 1/04 126/523
2014/0174427 A1 *	6/2014	Yuen	A47J 37/067 126/25 R
2016/0327266 A1 *	11/2016	Le Blanc	B67D 7/305
2019/0376692 A1 *	12/2019	Seera	F24B 1/181

FOREIGN PATENT DOCUMENTS

GB 4012254 * 1/2010

* cited by examiner

Primary Examiner — Ania Aman

(74) *Attorney, Agent, or Firm* — Lewis Kohn & Walker LLP; Kent M. Walker; Kari Moyer-Henry

(57) **CLAIM**

The ornamental design for a concrete fire bowl, as shown and described.

DESCRIPTION

FIG. 1 is a top perspective view of the concrete fire bowl embodied in the present invention;

FIG. 2 is a top view of the concrete fire bowl from FIG. 1;

FIG. 3 is a side view of the concrete fire bowl from FIG. 1;

FIG. 4 is a bottom view of the concrete fire bowl from FIG. 1; and,

FIG. 5 is a side perspective view of the concrete fire bowl of FIG. 1.

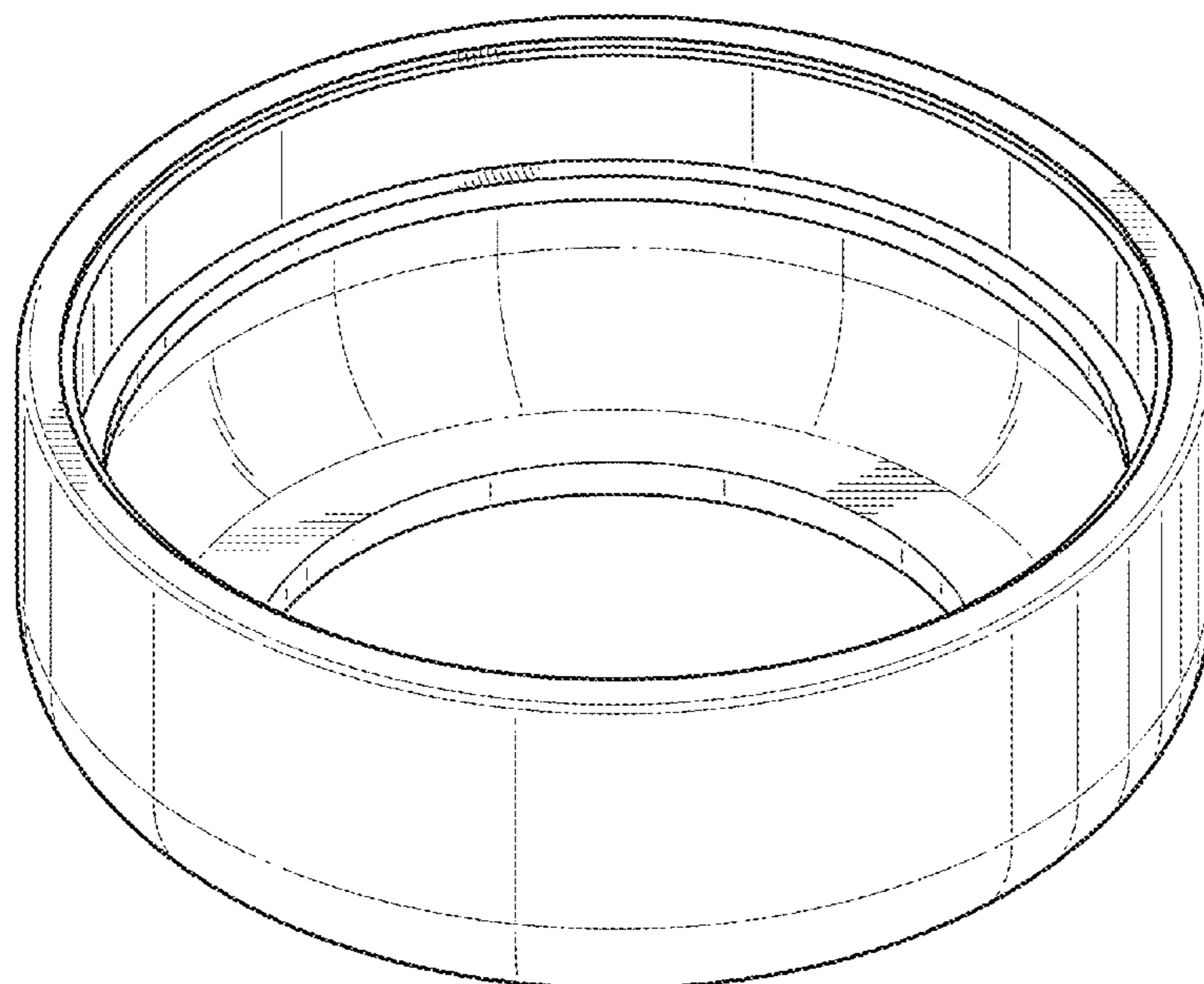
The dash-dash-dash broken line shown in FIG. 5 is included for the purpose of illustrating environmental context and forms no part of the claimed design.

1 Claim, 4 Drawing Sheets

(56) **References Cited**

U.S. PATENT DOCUMENTS

6,055,773 A *	5/2000	Yang	A01G 9/02 119/61.1
D718,501 S *	11/2014	Byrne	D30/160
D769,148 S *	10/2016	Siegel	D11/152
D814,345 S *	4/2018	Siegel	D11/152



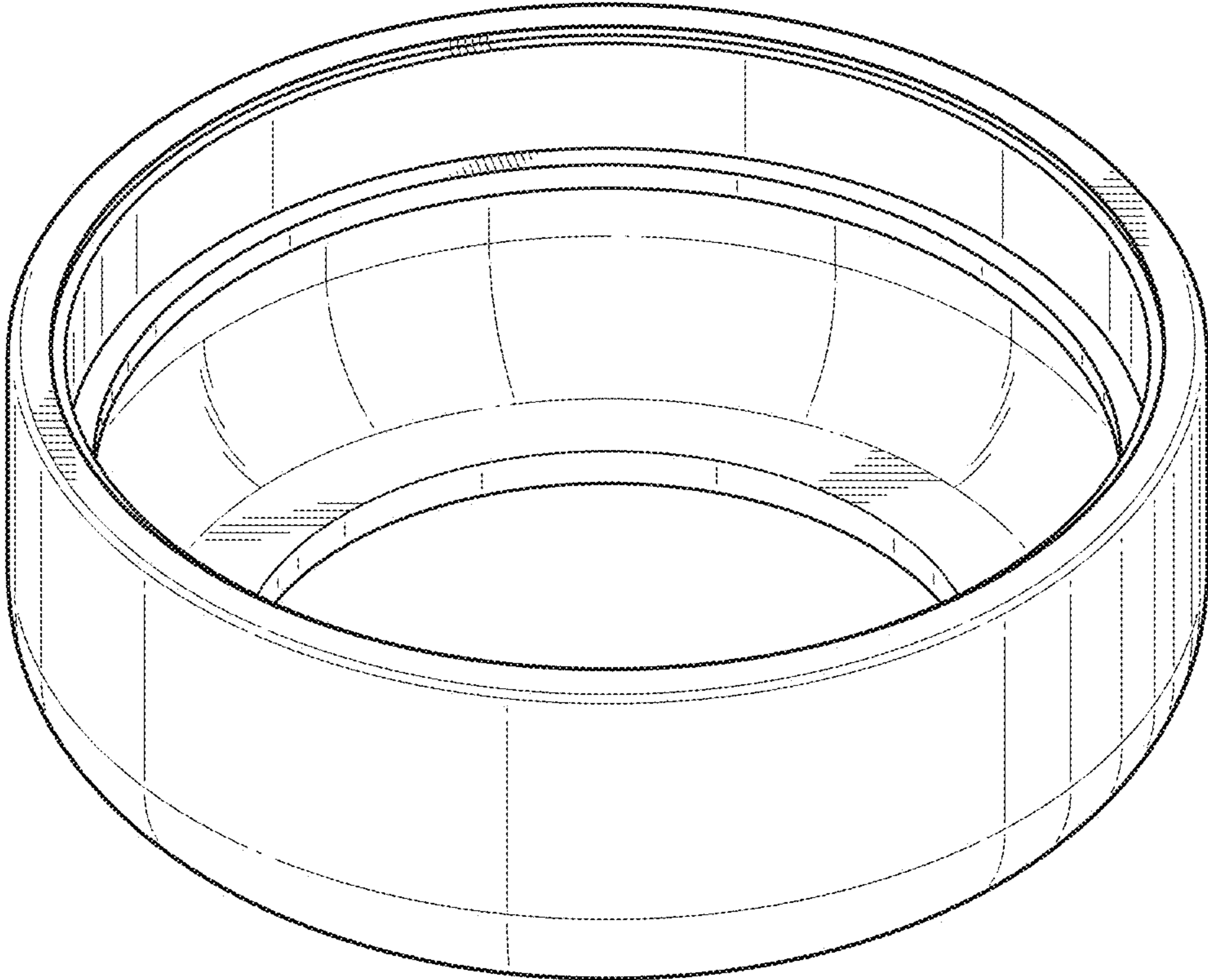


FIG. 1

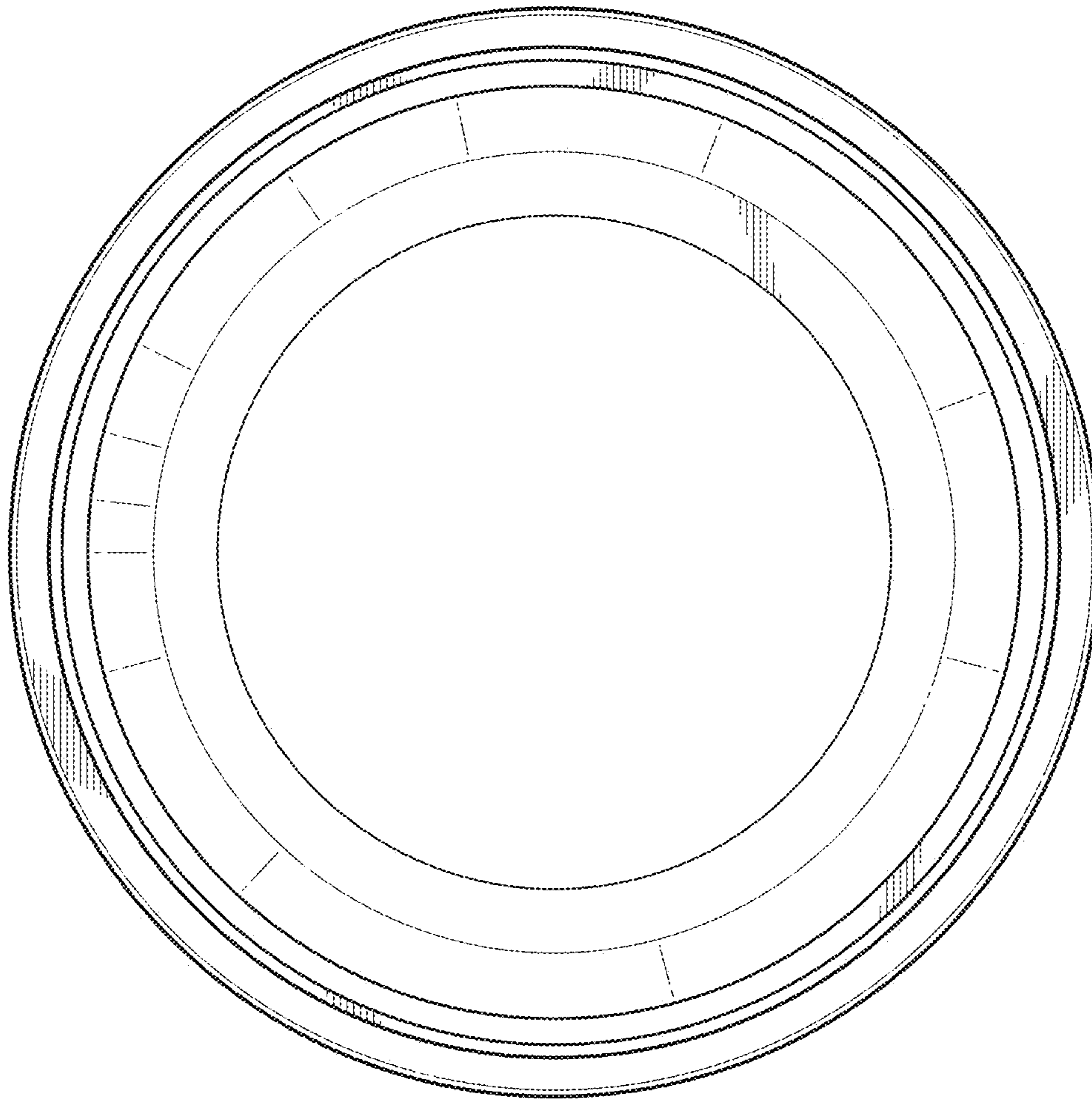


FIG. 2

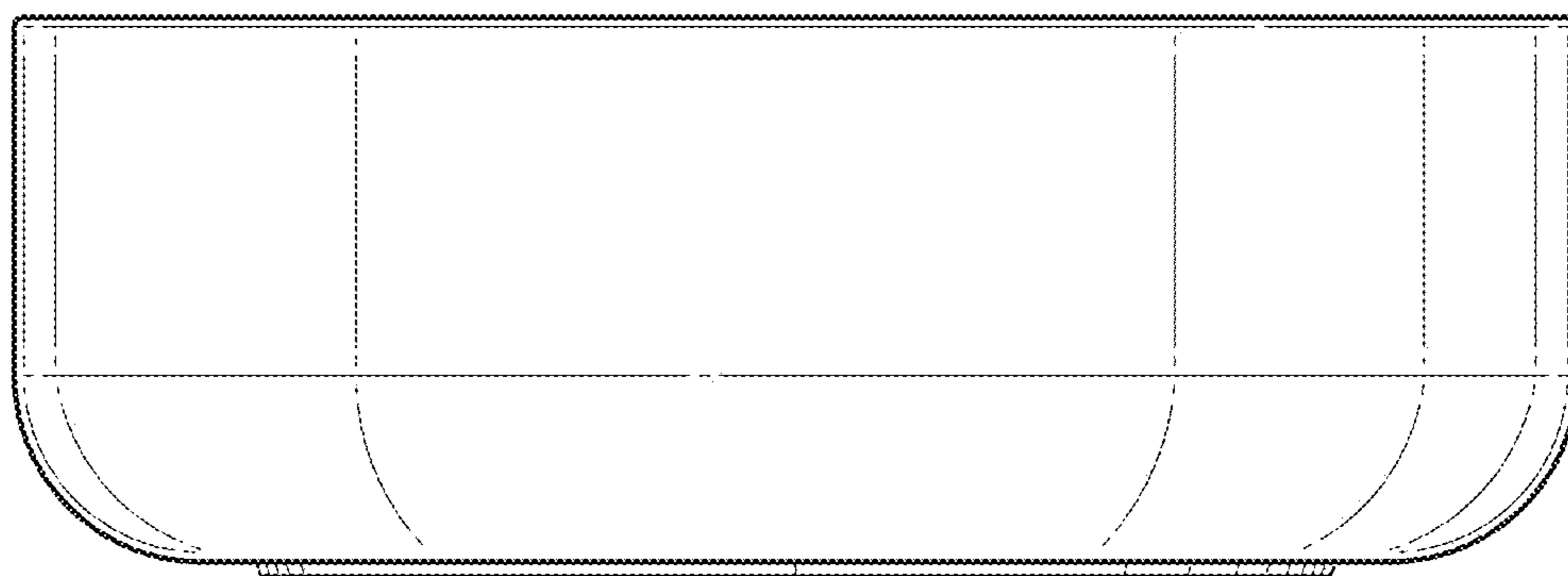


FIG. 3

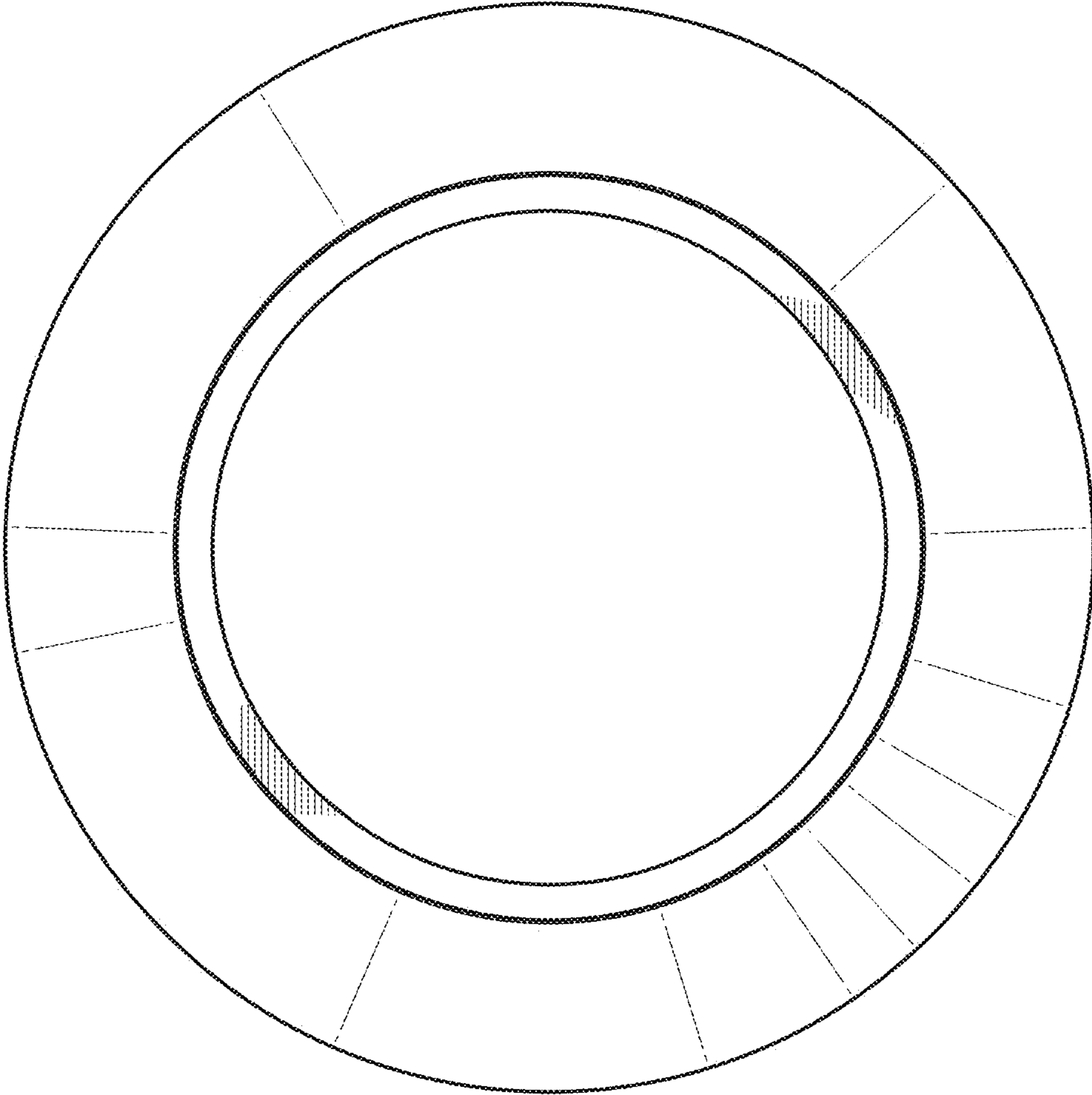


FIG. 4

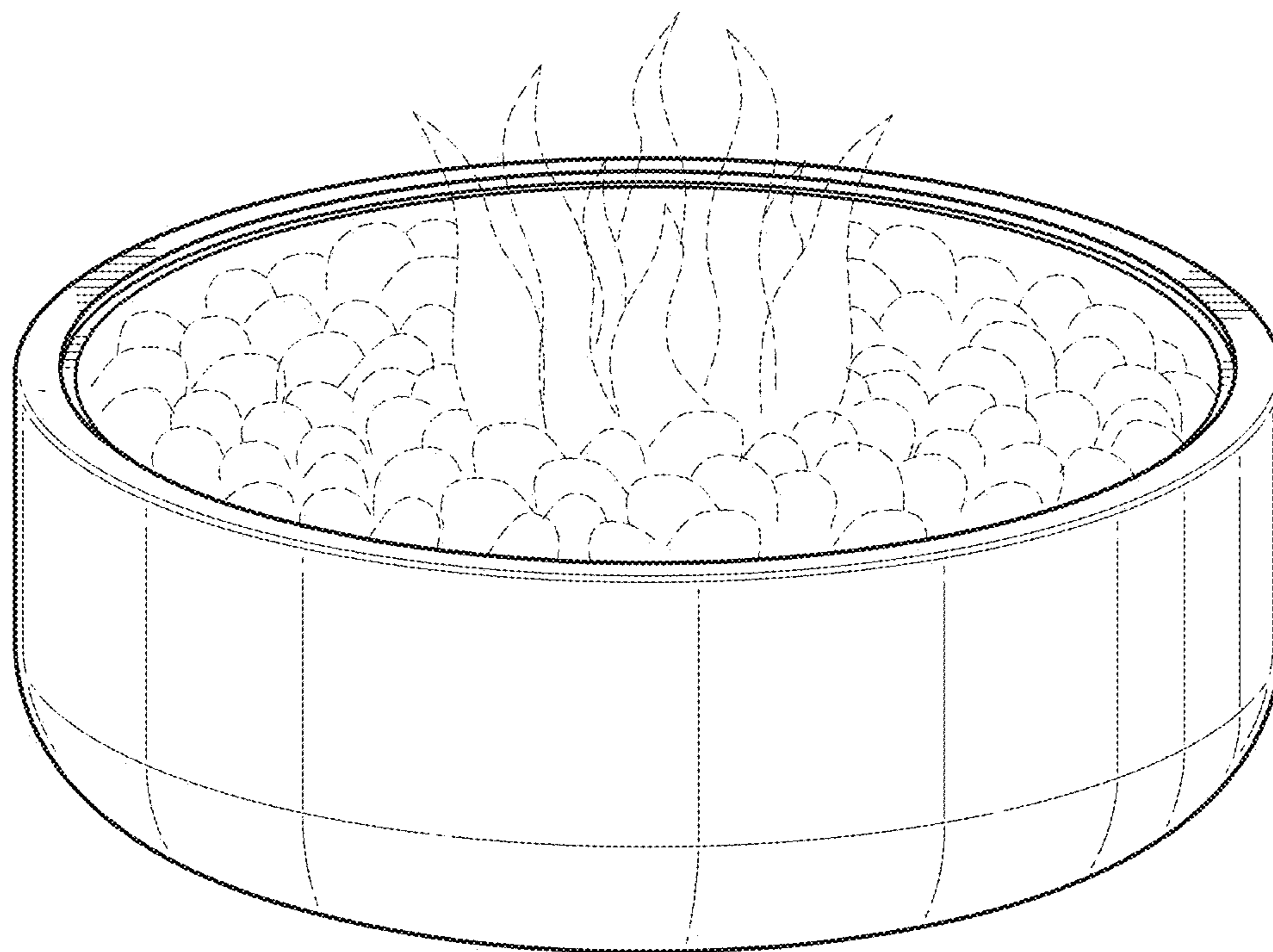


FIG. 5