



US00D948680S

(12) **United States Design Patent**  
**Barlettano**

(10) **Patent No.:** **US D948,680 S**  
(45) **Date of Patent:** **\*\* Apr. 12, 2022**

(54) **EVAPORATIVE AIR COOLING TOWER**

FOREIGN PATENT DOCUMENTS

(71) Applicant: **ONTEL PRODUCTS CORPORATION**, Fairfield, NJ (US)

CN 3589286 S 12/2006  
CN 3643876 S 5/2007

(Continued)

(72) Inventor: **Scott Barlettano**, Wayne, NJ (US)

OTHER PUBLICATIONS

(73) Assignee: **ONTEL PRODUCTS CORPORATION**, Fairfield, NJ (US)

COSTWAY Evaporative Cooler—Oscillating Air Cooler with LED Display—Remote Control—125 Square Foot Cooling, 8-Hour Timing Function, for Home & Office, Cooling & Humidification Function (41-Inch), <https://www.amazon.com/dp/B07XNTDGLD> accessed on May 29, 2020.

(\*\*) Term: **15 Years**

(Continued)

(21) Appl. No.: **29/756,076**

(22) Filed: **Oct. 26, 2020**

*Primary Examiner* — Sharon S Oum

(74) *Attorney, Agent, or Firm* — Dickinson Wright PLLC

**Related U.S. Application Data**

(63) Continuation of application No. 29/736,364, filed on May 29, 2020.

(51) **LOC (13) Cl.** ..... **23-04**

(52) **U.S. Cl.**  
USPC ..... **D23/333; D23/378**

(58) **Field of Classification Search**  
USPC ..... D23/332, 333, 335–337, 342, 351, 352, D23/355–362, 364–366, 370, 378, 381, D23/383

CPC ..... F04D 25/08; F04D 29/38; F04D 29/384; F04D 29/386; F04D 29/48; F04D 17/04; F04D 25/10; F24H 3/0417; A61L 9/16; A61L 9/22; B01D 47/00; B01D 47/027; B01D 2221/02; B03C 3/155; B03C 3/368; F24F 3/16; F24F 13/20

See application file for complete search history.

(57) **CLAIM**

I claim the ornamental design for an evaporative air cooling tower, as shown and described.

**DESCRIPTION**

FIG. 1 is a top-front perspective view of an evaporative air cooling tower;

FIG. 2 is a front view of the evaporative air cooling tower of FIG. 1;

FIG. 3 is a rear view of the evaporative air cooling tower of FIG. 1;

FIG. 4 is a left side view of the evaporative air cooling tower of FIG. 1;

FIG. 5 is a right side view of the evaporative air cooling tower of FIG. 1;

FIG. 6 is a top view of the evaporative air cooling tower of FIG. 1;

FIG. 7 is a bottom view of the evaporative air cooling tower of FIG. 1; and,

FIG. 8 is a top-rear perspective view of FIG. 1.

The broken lines in the drawings illustrate portions of the evaporative air cooling tower that form no part of the claimed design.

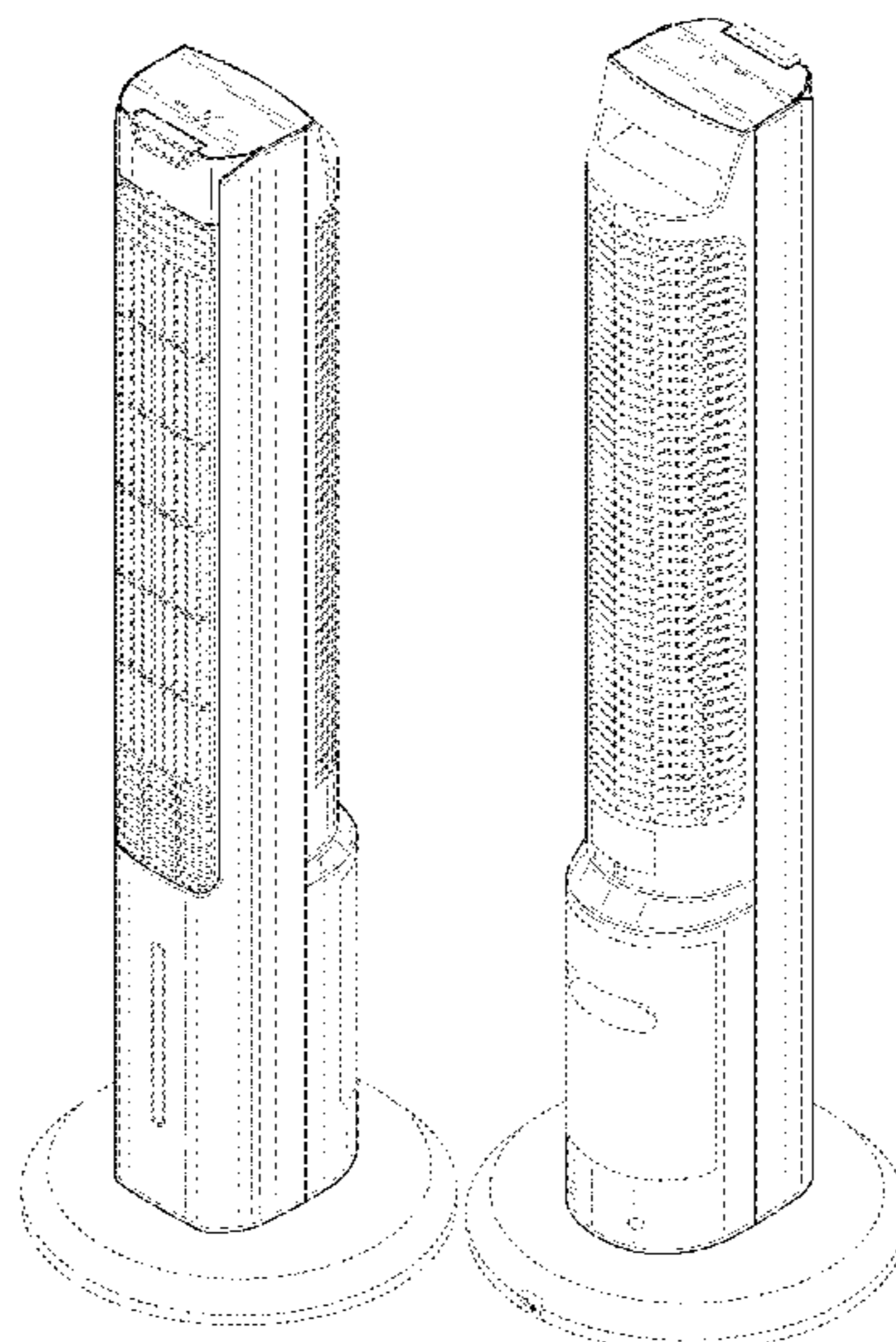
(56) **References Cited**

U.S. PATENT DOCUMENTS

D185,748 S 7/1959 Goettl et al.  
D188,357 S 7/1960 Klotz

(Continued)

**1 Claim, 8 Drawing Sheets**



(56)

References Cited

U.S. PATENT DOCUMENTS

3,176,117 A 3/1965 Knoll  
 4,016,835 A 4/1977 Yarden et al.  
 D279,815 S 7/1985 Yuen  
 D282,101 S 1/1986 Yuen  
 D282,102 S 1/1986 Yuen  
 D291,350 S 8/1987 Sherman et al.  
 4,835,982 A 6/1989 Ferdows  
 D313,069 S 12/1990 McCormick  
 4,977,755 A 12/1990 Tulley  
 D319,498 S 8/1991 Huang  
 D323,874 S 2/1992 Hirman et al.  
 5,162,088 A 11/1992 Peng et al.  
 5,309,726 A 5/1994 Asbridge  
 D361,828 S 8/1995 Chen  
 D367,525 S 2/1996 Gruebel  
 D376,418 S 12/1996 Wang  
 D384,407 S 9/1997 Kamada  
 D402,745 S 12/1998 Termeer et al.  
 D402,746 S 12/1998 Clark et al.  
 D414,253 S 9/1999 Kobayashi et al.  
 D416,993 S 11/1999 Dong et al.  
 6,098,895 A 8/2000 Walzel et al.  
 D433,111 S 10/2000 Wright  
 6,155,782 A 12/2000 Hsu  
 D448,071 S 9/2001 Birdsell et al.  
 6,293,121 B1 9/2001 Labrador  
 D453,558 S 2/2002 Segawa et al.  
 D468,005 S 12/2002 Bailey  
 6,581,402 B2 6/2003 Maisotsenko et al.  
 D516,689 S 3/2006 Salmon et al.  
 D536,780 S 2/2007 Lerche et al.  
 D543,614 S 5/2007 Chen  
 D553,725 S 10/2007 Shimizu  
 D559,973 S 1/2008 Rabito et al.  
 D594,960 S 6/2009 Orihara et al.  
 D606,645 S 12/2009 Orihara et al.  
 7,698,906 B2 4/2010 Jarvis  
 D616,080 S 5/2010 Ching  
 D621,026 S 8/2010 Peterson et al.  
 7,997,565 B1 8/2011 Chan  
 D691,250 S 10/2013 Chan  
 D731,633 S \* 6/2015 Farone ..... D23/364  
 D733,273 S 6/2015 Jeon et al.  
 D733,860 S 7/2015 Konno et al.  
 D769,431 S 10/2016 Lopez  
 D788,279 S 5/2017 Lee et al.  
 D791,290 S 7/2017 Shapiro  
 D804,001 S 11/2017 Cartwright et al.  
 10,006,648 B2 6/2018 Vandermeulen et al.  
 D827,115 S 8/2018 Petersen et al.  
 D841,795 S \* 2/2019 Chen ..... D23/378  
 D848,593 S 5/2019 Exley  
 D849,220 S 5/2019 Fang  
 D852,340 S 6/2019 Barlettano  
 D875,235 S 2/2020 Coleman et al.  
 10,712,029 B1 7/2020 Barlettano  
 D896,936 S 9/2020 Ou  
 2009/0211291 A1 8/2009 Gildersleeve et al.  
 2014/0260402 A1 9/2014 Varma  
 2015/0247644 A1 9/2015 Stearns  
 2017/0138650 A1 5/2017 Eiserer  
 2019/0226696 A1 7/2019 Kim et al.  
 2020/0326081 A1 \* 10/2020 Barlettano ..... F24F 1/36  
 2021/0148584 A1 \* 5/2021 Barlettano ..... F24F 1/36

FOREIGN PATENT DOCUMENTS

CN 201331225 Y 10/2009  
 CN 301559760 S 11/2010  
 CN 301635055 S 8/2011  
 CN 202032693 U 11/2011  
 CN 301743975 S 11/2011  
 CN 202470270 U 10/2012  
 CN 302405864 S 4/2013  
 CN 302782479 S 4/2014

CN 302809630 S 4/2014  
 CN 302809632 S 4/2014  
 CN 203848426 U 9/2014  
 CN 303013053 S 11/2014  
 CN 303321645 S 8/2015  
 CN 106091220 A 11/2016  
 CN 304047506 S 2/2017  
 CN 304206641 S 7/2017  
 CN 304229250 S 8/2017  
 CN 304232931 S 8/2017  
 CN 304275843 S 9/2017  
 CN 107327992 A 11/2017  
 CN 304409176 S 12/2017  
 CN 206905164 U 1/2018  
 CN 207262610 U 4/2018  
 CN 304589588 S 4/2018  
 CN 304594138 S 4/2018  
 CN 304607851 S 5/2018  
 CN 304607887 S 5/2018  
 CN 207527751 U 6/2018  
 CN 207975768 U 10/2018  
 CN 304870145 S 10/2018  
 CN 108826551 A 11/2018  
 CN 208042402 U 11/2018  
 CN 304934939 S 12/2018  
 CN 304947235 S 12/2018  
 CN 305072142 S 3/2019  
 CN 305223717 S 6/2019  
 CN 305281766 S 7/2019  
 CN 209639184 U 11/2019  
 CN 209689113 U 11/2019  
 CN 305474029 S 12/2019  
 CN 305612741 S 2/2020  
 CN 305612750 S 2/2020  
 CN 305627369 S 2/2020  
 CN 305627370 S 2/2020  
 CN 305672142 S 3/2020  
 CN 305708993 S 4/2020  
 CN 210290192 U 10/2020  
 CN 306360588 S 3/2021  
 EP 661504 A1 7/1995  
 EP 001712704-0001 S 5/2010  
 GB 2420083 A 5/2006  
 JP D1258427 12/2005  
 JP 1374275 S 10/2009  
 JP 1388881 S 4/2010  
 KR 30-0309259 10/2002  
 KR 30-0309260 10/2002  
 KR 100543336 B1 1/2006  
 KR 30602966-1 6/2013  
 KR 30-0764177 9/2014  
 KR 30-0765886 10/2014  
 KR 30-0865259 7/2016  
 KR 20160083171 A 7/2016  
 TW M490518 U 11/2014  
 WO 9513506 A1 5/1995  
 WO 2005073642 A1 8/2005  
 WO 2018058132 A1 3/2018

OTHER PUBLICATIONS

Luma Comfort EC45S Tower Evaporative Cooler with 125 Square Foot Cooling, 250 CFM, <https://www.amazon.com/Luma-Comfort-EC45S-Evaporative-Cooling/dp/B007SNQ4FM/>, accessed on May 29, 2020.  
 NewAir AF-310 Portable Evaporative Air Fan and Humidifier, Personal Indoor Outdoor Swamp Cooler, <https://www.amazon.com/NewAir-Portable-Evaporative-Humidifier-AF-310/dp/B009KGB4FK/>, accessed on May 29, 2020.  
 Global Sources Home Products, No. 10, vol. 8, p. 11, Docket No. HB26005377: Design Division of the Japan Patent Office; Nov. 27, 2014.  
 HoMedics MyChill Personal Space Cooler in Blue, [www.amazon.com/HoMedics-MyChill-Personal-Space-Cooler/dp/B075564HQZ](http://www.amazon.com/HoMedics-MyChill-Personal-Space-Cooler/dp/B075564HQZ), retrieved Oct. 31, 2018.  
 Issuance of Notice of Grant for Japanese Design Application No. 2018-013816.

(56)

**References Cited**

## OTHER PUBLICATIONS

Ontel AA-MC4 Arctic Air Personal Space & Portable Cooler | The Quick & Easy Way to Cool Any Space, As Seen On TV, [www.amazon.com/AA-MC4-Arctic-Personal-Portable-Cooler/dp/B0787DD3RX](http://www.amazon.com/AA-MC4-Arctic-Personal-Portable-Cooler/dp/B0787DD3RX), retrieved Oct. 31, 2018.

Ontel Arctic Air Personal Space Cooler Replacement Filter Authentic OEM, [www.amazon.com/dp/B07DQ6DXXC/](http://www.amazon.com/dp/B07DQ6DXXC/), retrieved Oct. 31, 2018.

Luonita Portable Air Conditioner, <https://www.amazon.com/Luonita-Portable-Conditioner-Humidifier-Evaporative/dp/B07TXZ57XR/>, retrieved Mar. 26, 2020.

GLmblllo Baby Stroller Mini Fan, [https://www.amazon.com/GLmblllo-Stroller-Portable-Cooler-Child/dp/B07V6R2DC8/ef=sr\\_1\\_2?keywords=portable+evaporative+cooler+stroller&qid=1578343377&sr=8-2](https://www.amazon.com/GLmblllo-Stroller-Portable-Cooler-Child/dp/B07V6R2DC8/ef=sr_1_2?keywords=portable+evaporative+cooler+stroller&qid=1578343377&sr=8-2), retrieved Mar. 26, 2020.

Domus, vol. 767, Jan. 31, 1995, p. 108, Docket No. HB07009193: Design Division of the Japan Patent Office.

European Search Report; Appl. No. 19154738.9, dated Aug. 29, 2019; 4 pages.

Evapolar Air Cooler evaSmart EV-3000 Opaque White US Plug, [www.amazon.com/dp/B075G1HBNW](http://www.amazon.com/dp/B075G1HBNW), retrieved Oct. 31, 2018.

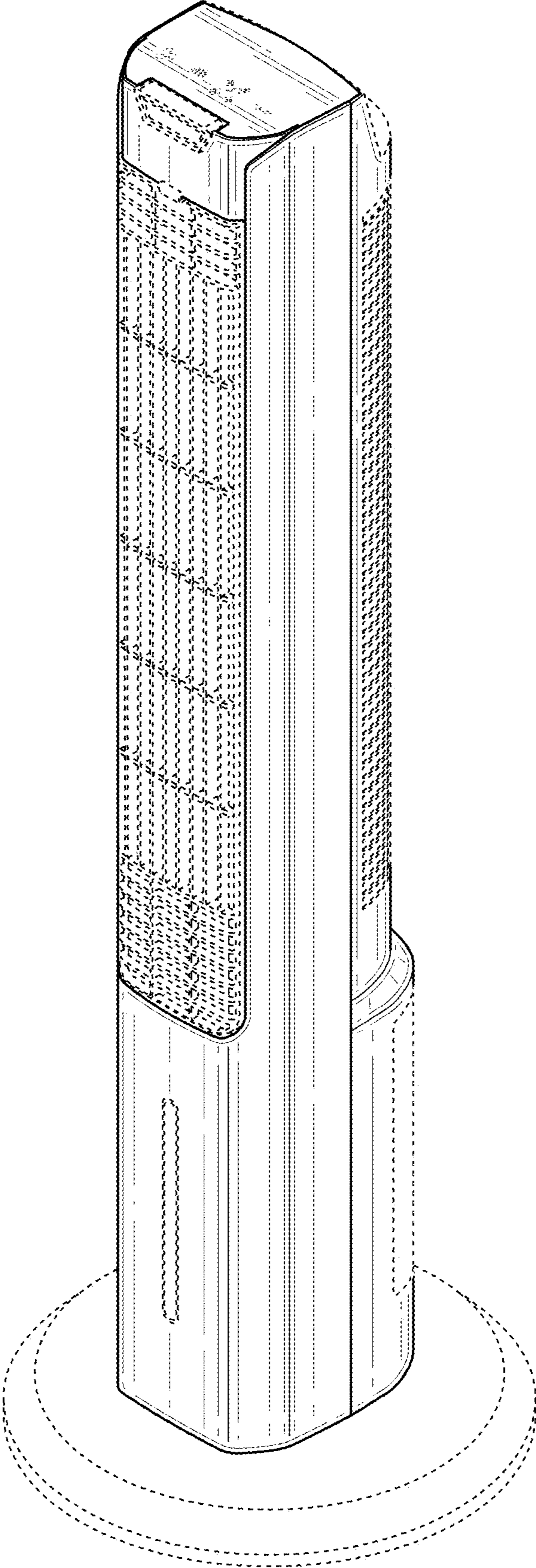
Evapolar EV1000CART Replacement Evaporative Cartridge for EV-1000 evaLight Personal Air Cooler and Humidifier, [www.amazon.com/Evapolar-EV1000CART-Replacement-Evaporative-Humidifier/dp/B06XT5B742](http://www.amazon.com/Evapolar-EV1000CART-Replacement-Evaporative-Humidifier/dp/B06XT5B742), retrieved Oct. 31, 2018.

Filter for Personal Space Cooler, Arctic Air Cooler Replacement Filler Humidifier, [www.amazon.com/dp/B07DGWMSH6/](http://www.amazon.com/dp/B07DGWMSH6/), retrieved Oct. 31, 2018.

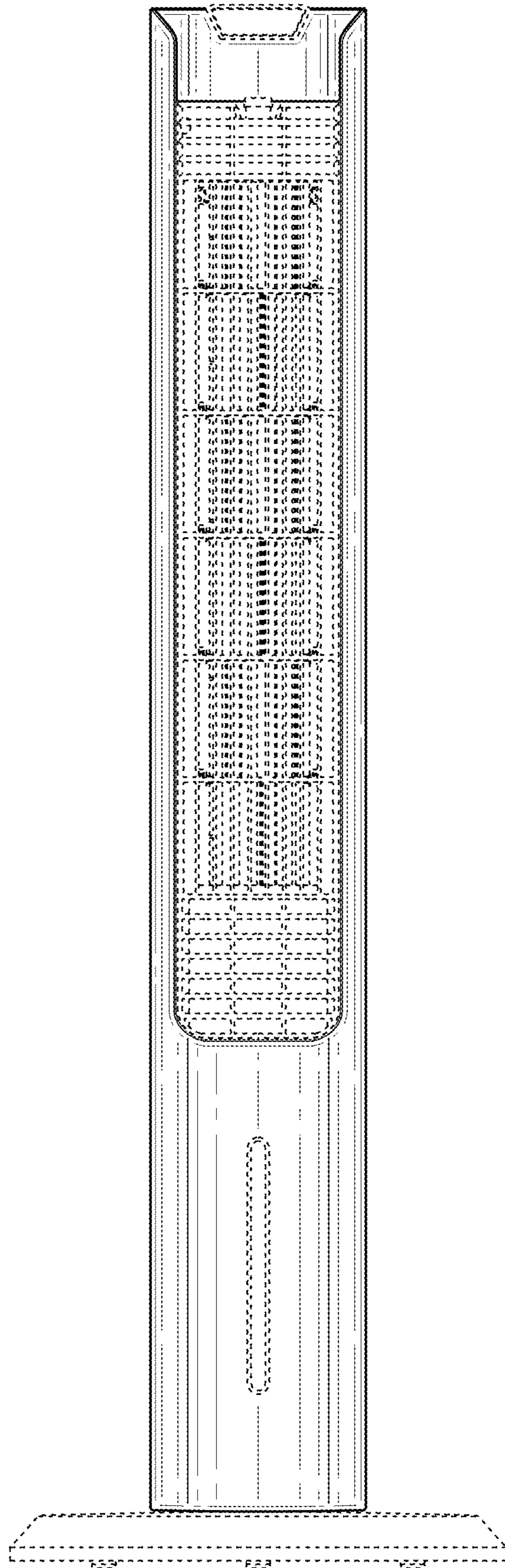
Worlds First Personal Air Cooler (Evapolar), [www.youtube.com/watch?v=k4NxBWPTqOA](http://www.youtube.com/watch?v=k4NxBWPTqOA), published Aug. 23, 2016.

GDSTIME EC Cooling Fan, [www.amazon.com/dp/B07H8W376G](http://www.amazon.com/dp/B07H8W376G), retrieved Nov. 7, 2018.

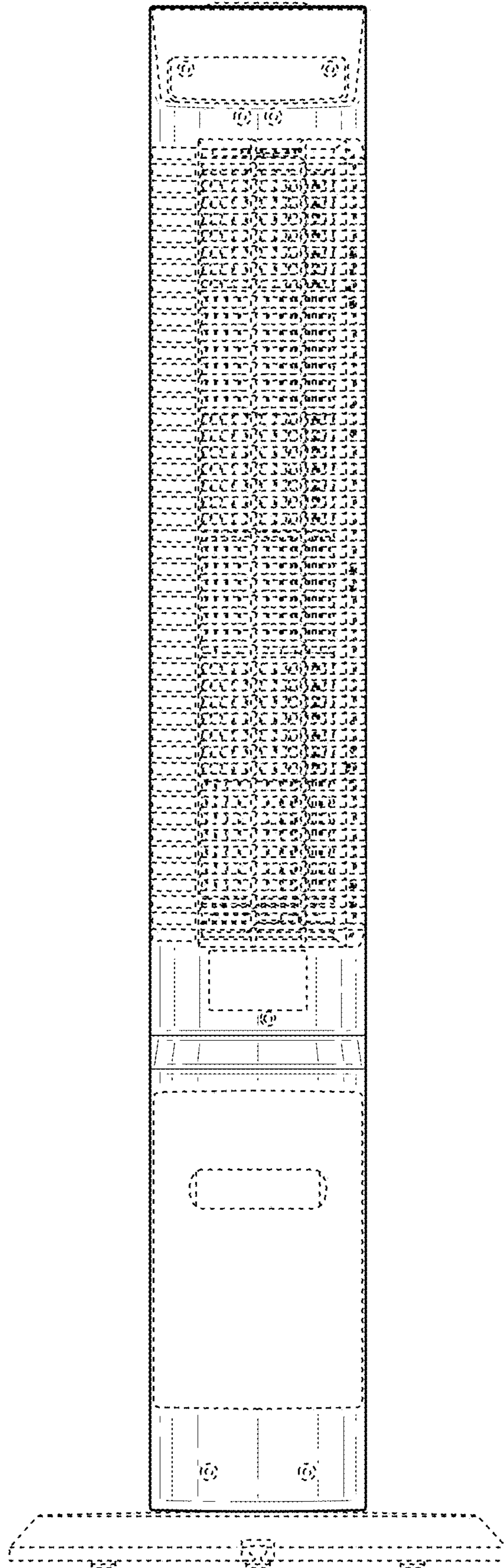
\* cited by examiner



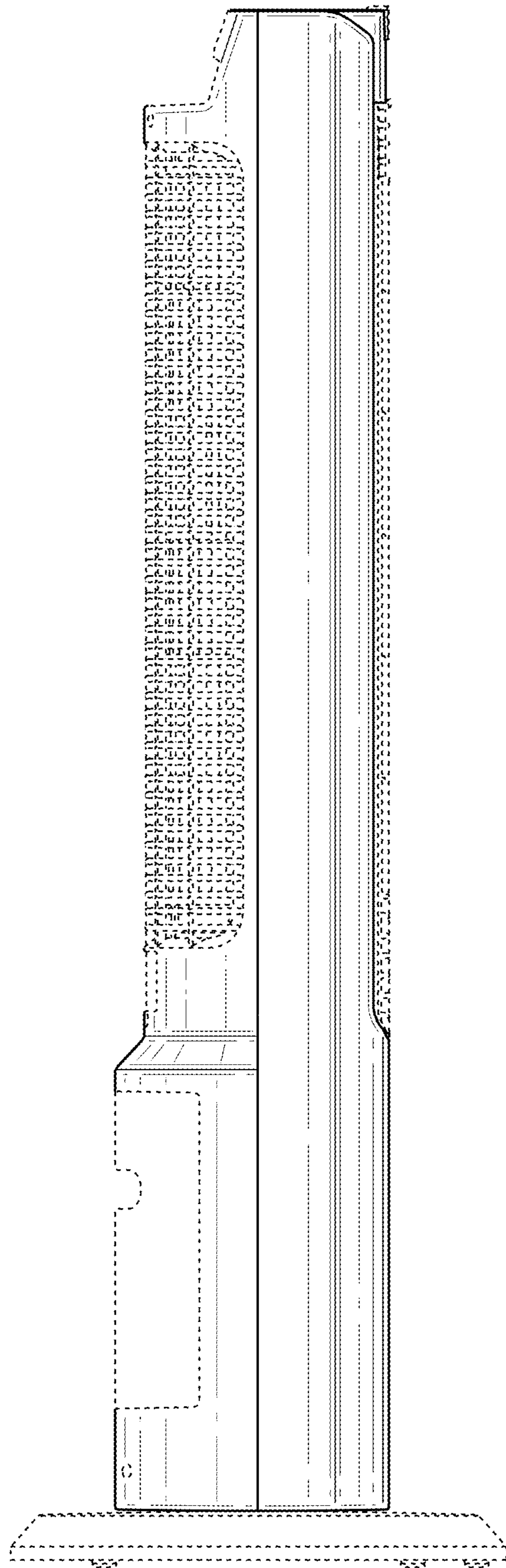
**FIG. 1**



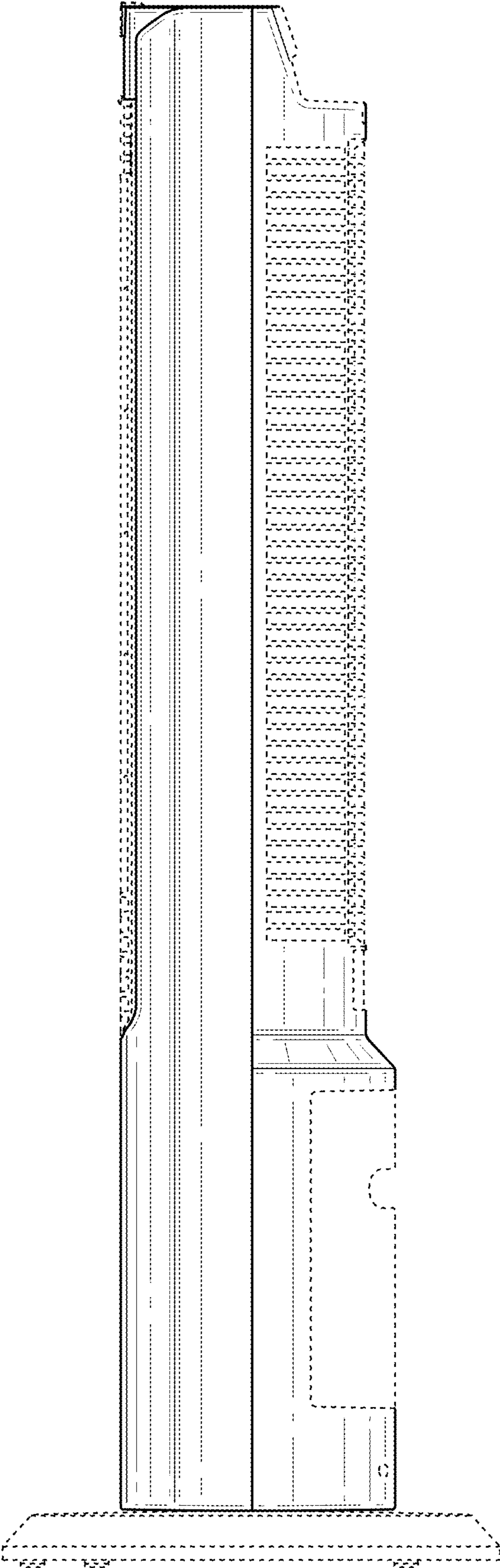
**FIG. 2**



**FIG. 3**

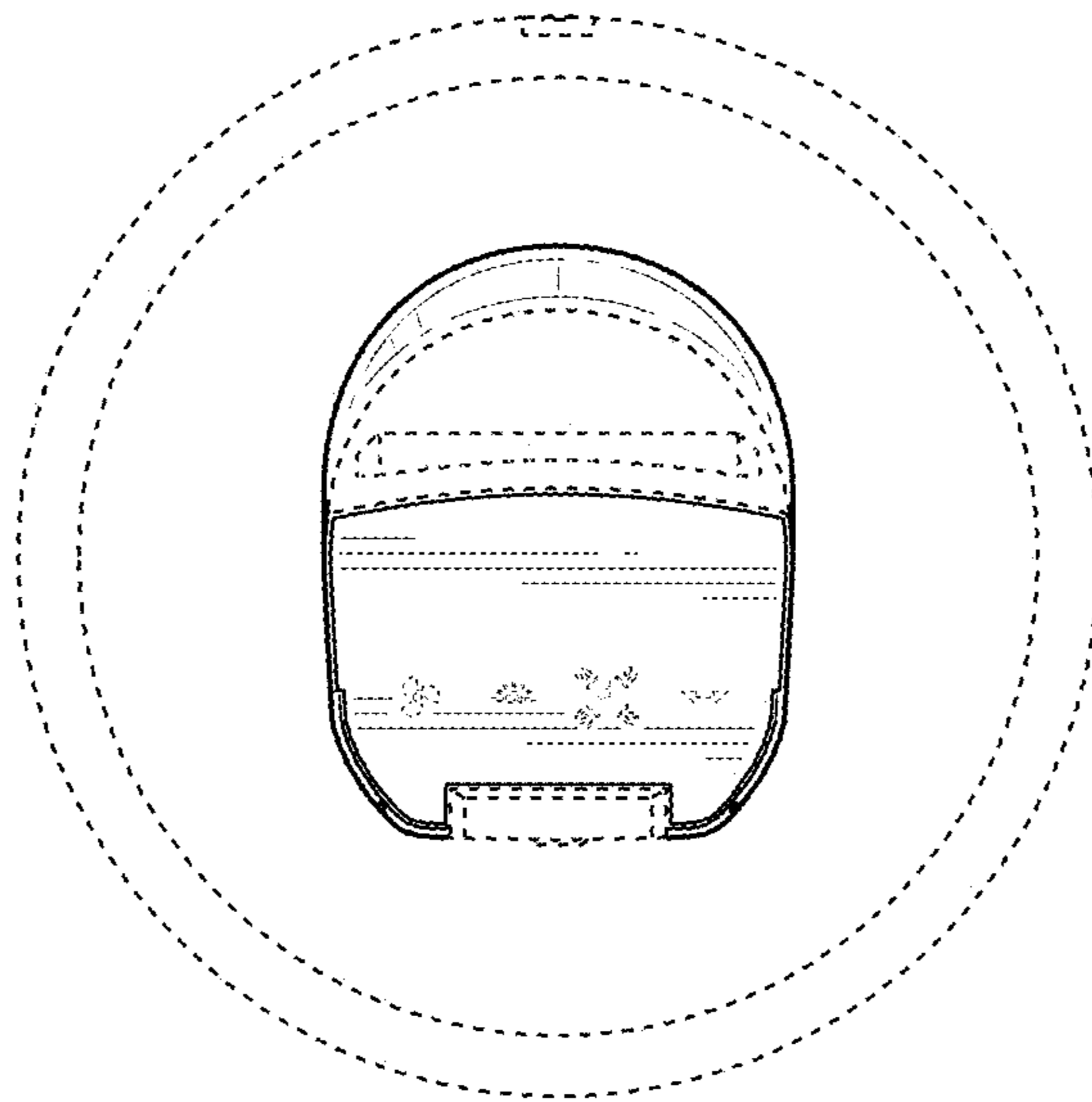


**FIG. 4**

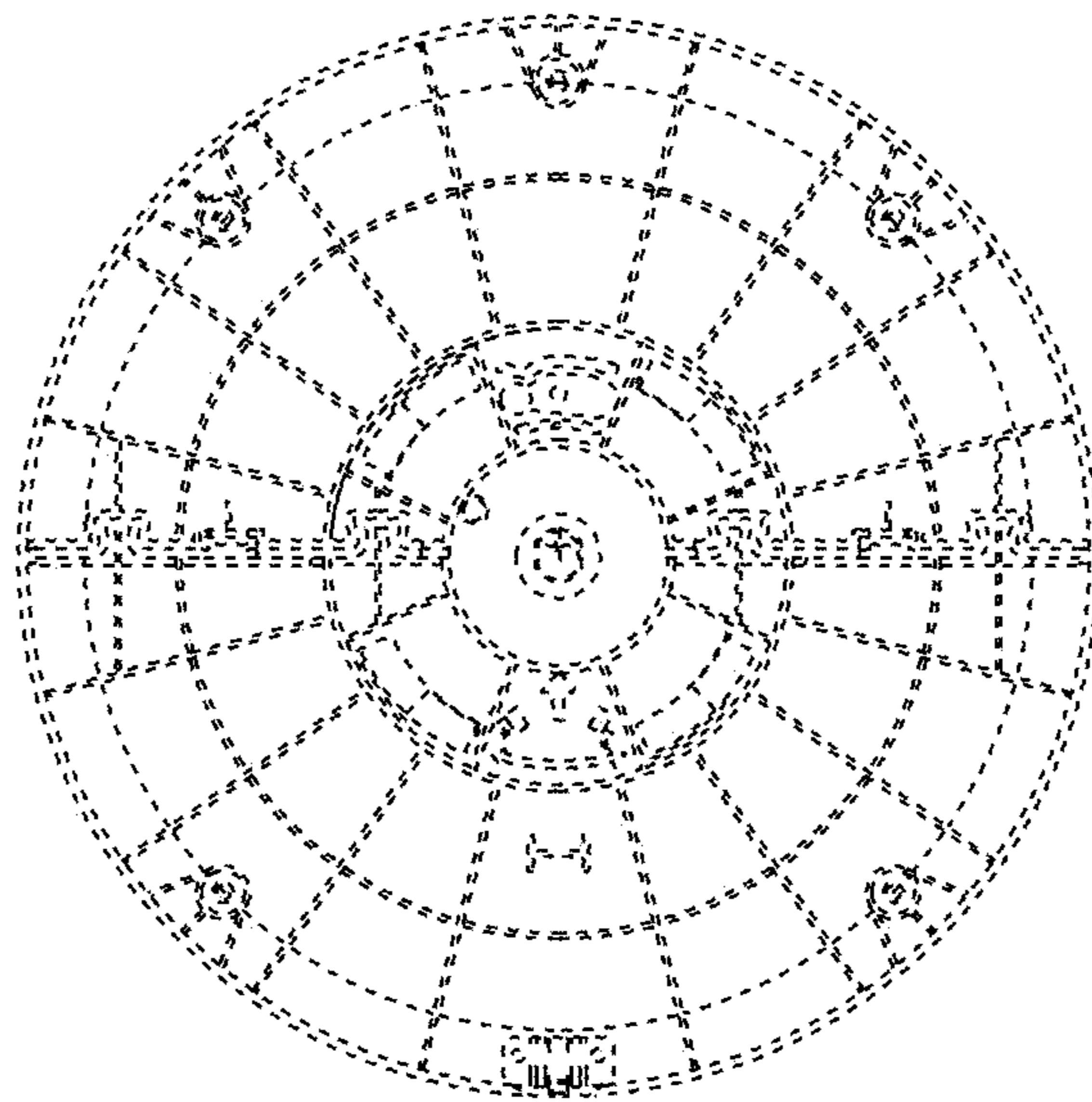


**FIG. 5**

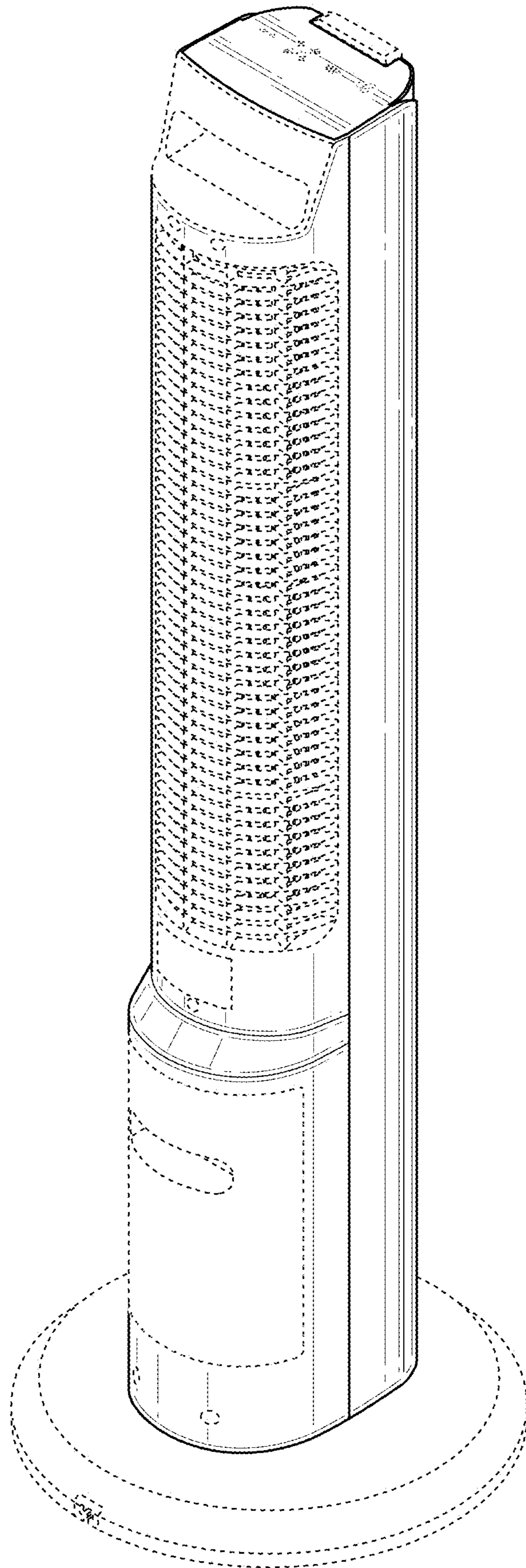




**FIG. 6**



**FIG. 7**



**FIG. 8**