

US00D948679S

(12) **United States Design Patent**  
**Barlettano**

(10) **Patent No.:** **US D948,679 S**  
(45) **Date of Patent:** **\*\* Apr. 12, 2022**

- (54) **PERSONAL AIR COOLER**
- (71) Applicant: **ONTEL PRODUCTS CORPORATION**, Fairfield, NJ (US)
- (72) Inventor: **Scott Barlettano**, Wayne, NJ (US)
- (73) Assignee: **ONTEL PRODUCTS CORPORATION**, Fairfield, NJ (US)

D319,498 S 8/1991 Huang  
 D323,874 S 2/1992 Hirman et al.  
 5,162,088 A 11/1992 Peng et al.  
 (Continued)

**FOREIGN PATENT DOCUMENTS**

CN 3589286 12/2006  
 CN 3643876 5/2007  
 (Continued)

(\*\*) Term: **15 Years**

**OTHER PUBLICATIONS**

Global Sources Home Products, No. 10, vol. 8, p. 11, Design Division of the Japan Patent Office; Nov. 27, 2014.  
 (Continued)

- (21) Appl. No.: **29/729,377**
- (22) Filed: **Mar. 26, 2020**
- (51) **LOC (13) Cl.** ..... **23-04**
- (52) **U.S. Cl.**  
USPC ..... **D23/333; D23/381**
- (58) **Field of Classification Search**  
USPC ..... D23/200, 223, 228, 314, 328, 332, 333,  
D23/335, 336, 337, 351, 355, 356, 370,  
D23/371, 378-380, 381, 382, 383,  
D23/411-412  
CPC .... F04D 25/0673; F04D 25/08; F04D 25/084;  
F04D 29/4226  
See application file for complete search history.

*Primary Examiner* — Sharon S Oum  
 (74) *Attorney, Agent, or Firm* — Dickinson Wright PLLC

(57) **CLAIM**

I claim the ornamental design for a personal air cooler, as shown and described.

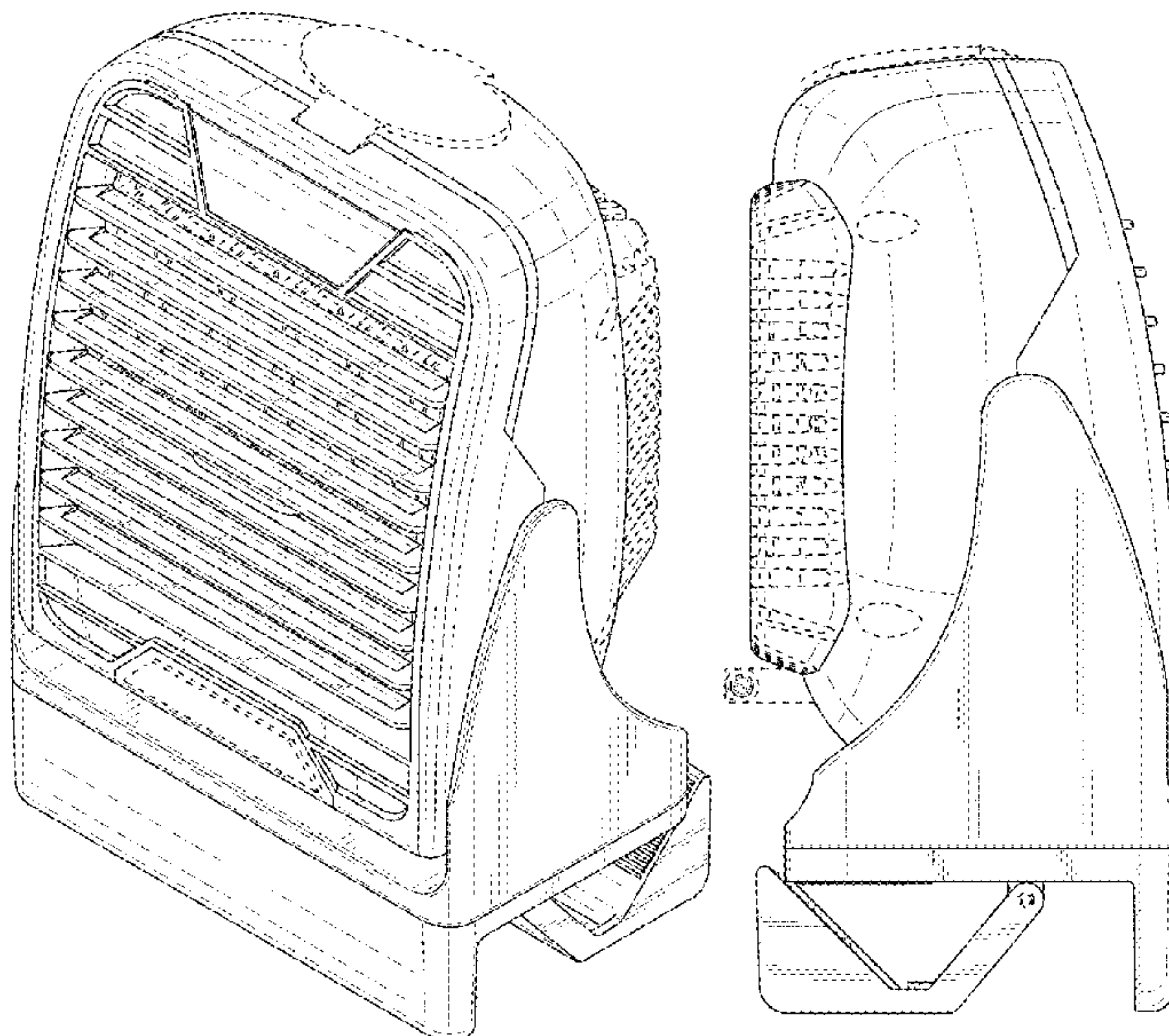
**DESCRIPTION**

FIG. 1 is a top front perspective view of a personal air cooler;  
 FIG. 2 is a front view of the personal air cooler of FIG. 1;  
 FIG. 3 is a rear view of the personal air cooler of FIG. 1;  
 FIG. 4 is a left side view of the personal air cooler of FIG. 1;  
 FIG. 5 is a right side view of the personal air cooler of FIG. 1;  
 FIG. 6 is a top view of the personal air cooler of FIG. 1;  
 FIG. 7 is a bottom view of the personal air cooler of FIG. 1;  
 and,  
 FIG. 8 is a top rear perspective view of the personal air cooler of FIG. 1.  
 The broken lines in the drawings illustrate portions of the personal air cooler that form no part of the claimed design.

(56) **References Cited**  
**U.S. PATENT DOCUMENTS**

D185,748 S	7/1959	Goettl
D188,357 S	7/1960	Klotz
3,176,117 A	3/1965	Knoll
4,016,835 A	4/1977	Yarden
D279,815 S	7/1985	Yuen
D282,101 S	1/1986	Yuen
D282,102 S	1/1986	Yuen
D291,350 S	8/1987	Sherman
4,835,982 A	6/1989	Ferdows
D313,069 S	12/1990	McCormick
4,977,755 A	12/1990	Tulley

**1 Claim, 8 Drawing Sheets**





(56)

References Cited

U.S. PATENT DOCUMENTS

5,309,726 A 5/1994 Asbridge  
 D361,828 S 8/1995 Chen  
 D367,525 S 2/1996 Gruebel  
 D376,418 S 12/1996 Wang  
 D384,407 S 9/1997 Yamada  
 D402,745 S 12/1998 Termeer et al.  
 D402,746 S 12/1998 Clark et al.  
 D414,253 S 9/1999 Kobayashi  
 D416,993 S 11/1999 Dong et al.  
 6,098,895 A 8/2000 Walzel  
 D433,111 S 10/2000 Wright  
 6,155,782 A 12/2000 Hsu  
 D448,071 S 9/2001 Birdsell et al.  
 6,293,121 B1 9/2001 Labrador  
 D453,558 S 2/2002 Segawa et al.  
 D468,005 S 12/2002 Bailey  
 6,581,402 B2 6/2003 Maisotsenko et al.  
 D516,689 S 3/2006 Salmon et al.  
 D536,780 S 2/2007 Lerche et al.  
 D543,614 S 5/2007 Chen  
 D553,725 S 10/2007 Shimizu  
 D559,973 S 1/2008 Rabito  
 D594,960 S 6/2009 Orihara  
 D606,645 S 12/2009 Orihara  
 7,698,906 B2 4/2010 Jarvis  
 D616,080 S 5/2010 Ching  
 D621,026 S \* 8/2010 Peterson ..... D23/382  
 7,997,565 B1 8/2011 Chan  
 D691,250 S 10/2013 Chan  
 D731,633 S 6/2015 Farone et al.  
 D733,273 S 6/2015 Jeon  
 D733,860 S 7/2015 Konno  
 D769,431 S 10/2016 Lopez  
 D788,279 S 5/2017 Lee et al.  
 D791,290 S 7/2017 Shapiro  
 D804,001 S 11/2017 Cartwright  
 10,006,648 B2 6/2018 Vandermeulen et al.  
 D827,115 S 8/2018 Petersen  
 D841,795 S 2/2019 Chen  
 D848,593 S \* 5/2019 Exley ..... D23/351  
 D849,220 S 5/2019 Fang  
 D852,340 S \* 6/2019 Barlettano ..... D23/333  
 D875,235 S \* 2/2020 Coleman ..... D23/382  
 10,712,029 B1 \* 7/2020 Barlettano ..... F24F 8/117  
 D896,936 S 9/2020 Ou  
 2009/0211291 A1 8/2009 Gildersleeve  
 2014/0260402 A1 9/2014 Varma  
 2015/0247644 A1 9/2015 Stearns  
 2017/0138650 A1 5/2017 Eiserer  
 2019/0226696 A1 7/2019 Kim et al.  
 2020/0326081 A1 10/2020 Barlettano  
 2021/0148584 A1 5/2021 Barlettano

FOREIGN PATENT DOCUMENTS

CN 201331225 Y 10/2009  
 CN 301559760 S 11/2010  
 CN 301635055 S 8/2011  
 CN 202032693 U 11/2011  
 CN 301743975 S 11/2011  
 CN 202470270 U 10/2012  
 CN 302405864 S 4/2013  
 CN 302782479 S 4/2014  
 CN 302809630 S 4/2014  
 CN 302809632 S 4/2014  
 CN 203848426 U 9/2014  
 CN 303013053 S 11/2014  
 CN 303321645 S 8/2015  
 CN 106091220 11/2016  
 CN 106091220 A 11/2016  
 CN 304047506 S 2/2017  
 CN 304206641 S 7/2017  
 CN 304229250 S 8/2017  
 CN 304232931 S 8/2017  
 CN 304275843 S 9/2017

CN 107327992 11/2017  
 CN 107327992 A 11/2017  
 CN 304409176 S 12/2017  
 CN 206905164 U 1/2018  
 CN 207262610 U 4/2018  
 CN 304589588 S 4/2018  
 CN 304594138 S 4/2018  
 CN 304607851 S 5/2018  
 CN 304607887 S 5/2018  
 CN 207527751 U 6/2018  
 CN 207975768 U 10/2018  
 CN 304870145 S 10/2018  
 CN 108826551 11/2018  
 CN 208042402 U 11/2018  
 CN 304934939 S 12/2018  
 CN 304947235 S 12/2018  
 CN 305072142 S 3/2019  
 CN 305223717 S 6/2019  
 CN 305281766 S 7/2019  
 CN 209639184 U 11/2019  
 CN 209689113 U 11/2019  
 CN 305474029 S 12/2019  
 CN 305612741 S 2/2020  
 CN 305612750 S 2/2020  
 CN 305627369 S 2/2020  
 CN 305627370 S 2/2020  
 CN 305672142 S 3/2020  
 CN 305708993 S 4/2020  
 CN 210290192 U 10/2020  
 CN 306360588 S 3/2021  
 EP 0661504 A1 7/1995  
 EP 0017127704-0001 6/2010  
 GB 2420083 A 5/2006  
 JP D1258427 12/2005  
 JP 1374275 11/2009  
 JP 1388881 5/2010  
 KR 30-0309259 10/2002  
 KR 30-0309260 10/2002  
 KR 100543336 B1 1/2006  
 KR 30602966-1 6/2013  
 KR 30-0764177 10/2014  
 KR 30-0765886 10/2014  
 KR 30-0865259 7/2016  
 KR 20160083171 A 7/2016  
 TW M490518 U 11/2014  
 WO 9513506 5/1995  
 WO 2005073642 A1 8/2005  
 WO 2018058132 A1 3/2018

OTHER PUBLICATIONS

GDSTIME EC Cooling Fan, [www.amazon.com/dp/B07H8W376G](http://www.amazon.com/dp/B07H8W376G), retrieved Nov. 7, 2018.  
 Ontel AA-MC4 Arctic Air Personal Space & Portable Cooler | The Quick & Easy Way to Cool Any Space, As Seen On TV, [www.amazon.com/AA-MC4-Arctic-Personal-Portable-Cooler/dp/B0787DD3RX](http://www.amazon.com/AA-MC4-Arctic-Personal-Portable-Cooler/dp/B0787DD3RX), retrieved Oct. 31, 2018.  
 Evapolar Air Cooler evaSMART EV-3000 Opaque White US Plug, [www.amazon.com/dp/B075G1HBNW](http://www.amazon.com/dp/B075G1HBNW), retrieved Oct. 31, 2018.  
 Evapolar EV1000CART Replacement Evaporative Cartridge for EV-1000 evaLIGHT Personal Air Cooler and Humidifier, [www.amazon.com/Evapolar-EV1000CART-Replacement-Evaporative-Humidifier/dp/B06XT5B742](http://www.amazon.com/Evapolar-EV1000CART-Replacement-Evaporative-Humidifier/dp/B06XT5B742), retrieved Oct. 31, 2018.  
 HoMedics MyChill Personal Space Cooler in Blue, [www.amazon.com/HoMedics-MyChill-Personal-Space-Cooler/dp/B075564HQZ](http://www.amazon.com/HoMedics-MyChill-Personal-Space-Cooler/dp/B075564HQZ), retrieved Oct. 31, 2018.  
 Filter for Personal Space Cooler, Arctic Air Cooler Replacement Filter Humidifier, [www.amazon.com/dp/B07DGWMSH6/](http://www.amazon.com/dp/B07DGWMSH6/), retrieved Oct. 31, 2018.  
 Ontel Arctic Air Personal Space Cooler Replacement Filter Authentic OEM, [www.amazon.com/dp/B07DQ6DXXC/](http://www.amazon.com/dp/B07DQ6DXXC/), retrieved Oct. 31, 2018.  
 World's First Personal Air Cooler (EVAPOLAR), [www.youtube.com/watch?v=k4NxBWPTqOA](http://www.youtube.com/watch?v=k4NxBWPTqOA), published Aug. 23, 2016.  
 Domus, vol. 767, Jan. 31, 1995, p. 108, Design Division of the Japan Patent Office.

(56)

**References Cited**

## OTHER PUBLICATIONS

Issuance of Notice of Grant for Japanese Design Application No. 2018-013816.

European Search Report; Appl. No. 19154738.9, dated Aug. 29, 2019; 4 pages.

Luonita Portable Air Conditioner, <https://www.amazon.com/Luonita-Portable-Conditioner-Humidifier-Evaporative/dp/B07TXZ57XR/>, retrieved Mar. 26, 2020.

GLmblo Baby Stroller Mini Fan, [https://www.amazon.com/GLmblo-Stroller-Portable-Cooler-Child/dp/B07V6R2DC8/ref=sr\\_1\\_2?keywords=portable+evaporative+cooler+stroller&qid=1578343377&sr=8-2](https://www.amazon.com/GLmblo-Stroller-Portable-Cooler-Child/dp/B07V6R2DC8/ref=sr_1_2?keywords=portable+evaporative+cooler+stroller&qid=1578343377&sr=8-2), retrieved Mar. 26, 2020.

Filter for Personal Space Cooler, Arctic Air Cooler Replacement Filler Humidifier, [www.amazon.com/dp/B07DGWMSH6/](http://www.amazon.com/dp/B07DGWMSH6/), retrieved Oct. 31, 2018.

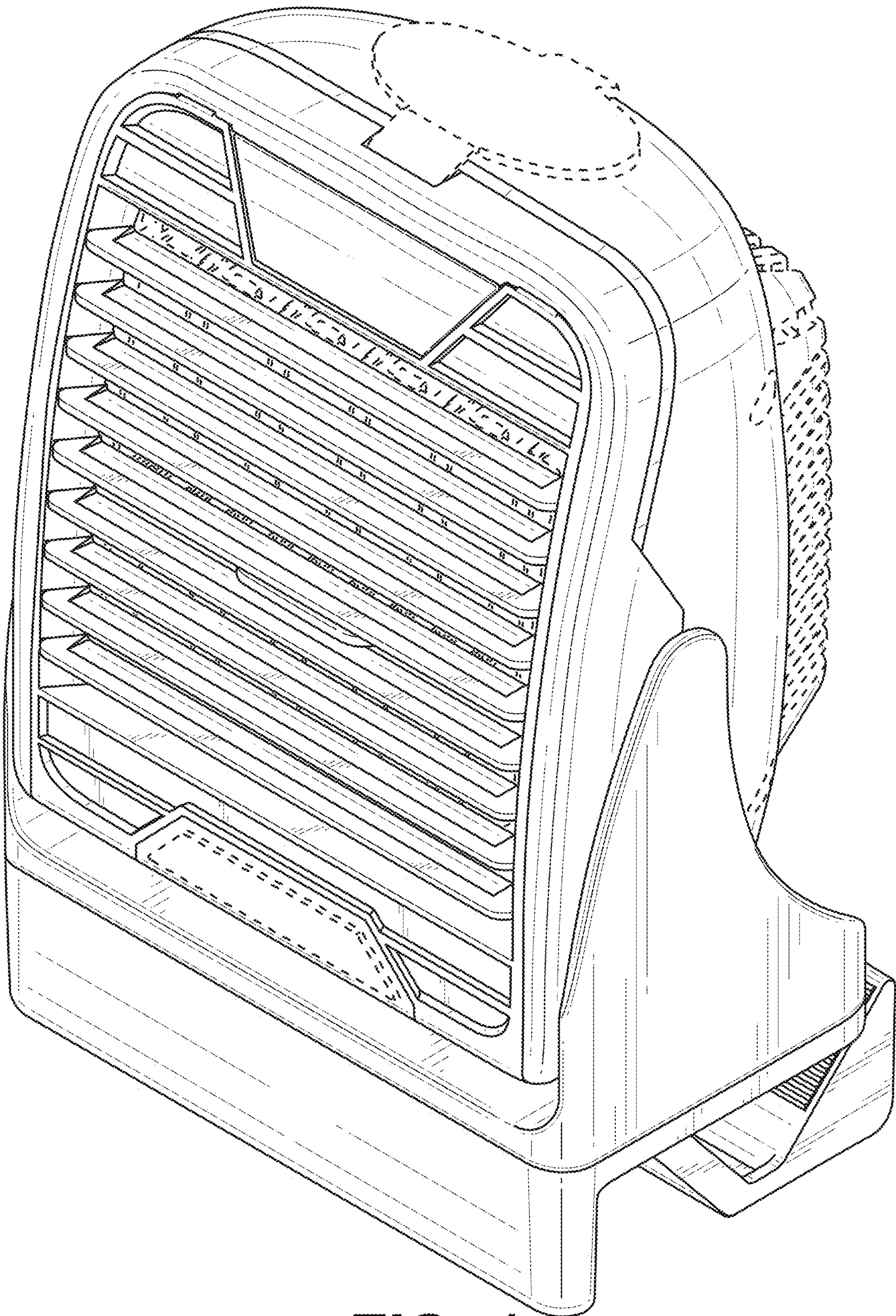
NewAir AF-310 Portable Evaporative Air Fan and Humidifier Personal Indoor Outdoor Swamp Cooler, <https://www.amazon.com/NewAir-Portable-Evaporative-Humidifier-AF-310/dp/B009KGB4FK/>, accessed on May 29, 2020.

Luma Comfort EC45S Tower Evaporative Cooler with 125 Square Foot Cooling, 250 CFM, <https://www.amazon.com/Luma-Comfort-EC45S-Evaporative-Cooling/dp/B007SNQ4FM/>, accessed on May 29, 2020.

Costway Evaporative Cooler—Oscillating Air Cooler with LED Display—Remote Control—125 Square Foot Cooling, 8-Hour Timing Function, for Home & Office, Cooling & Humidification Function (41-Inch), <https://www.amazon.com/dp/B07XNTDGLD>, accessed May 29, 2020.

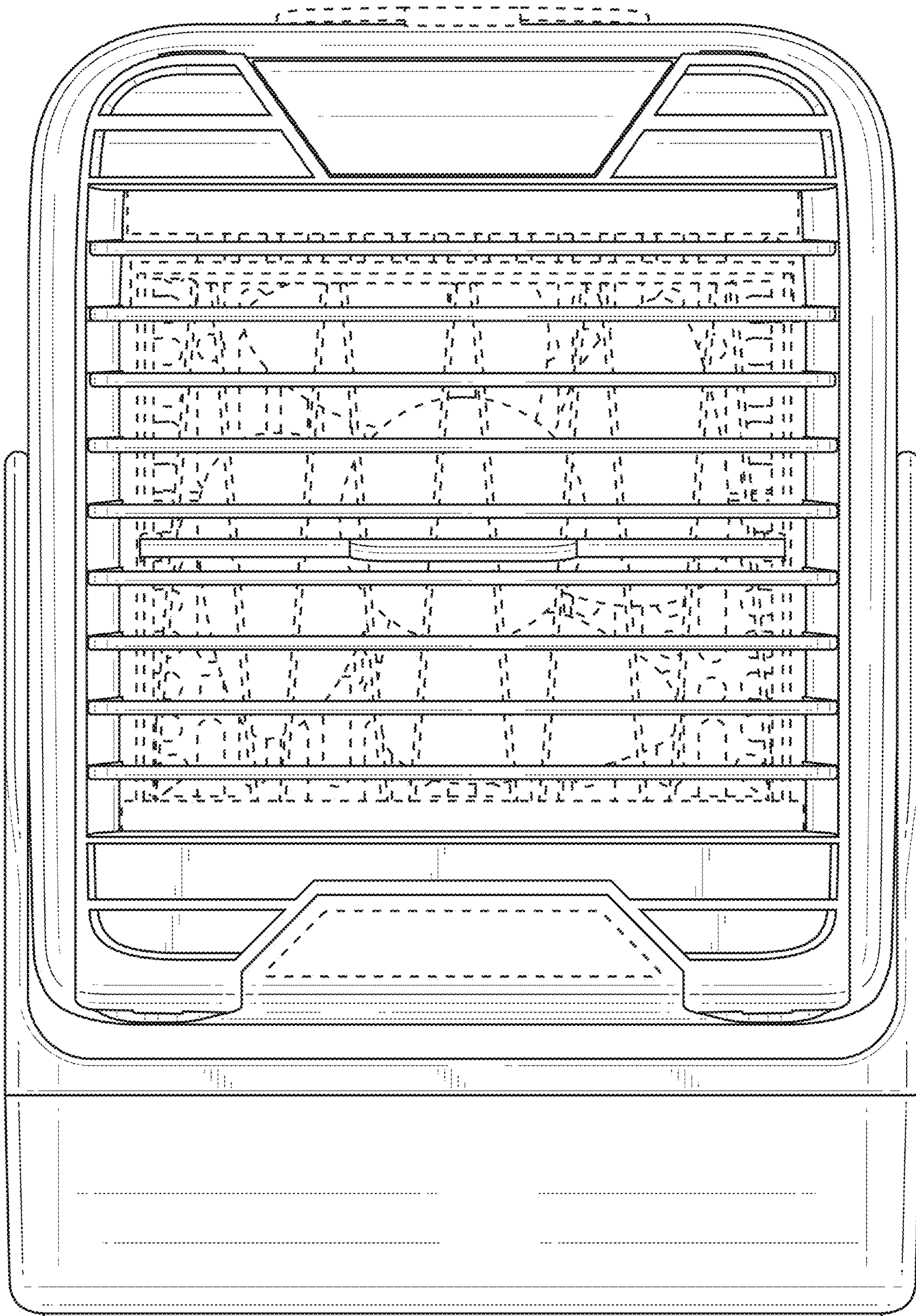
\* cited by examiner



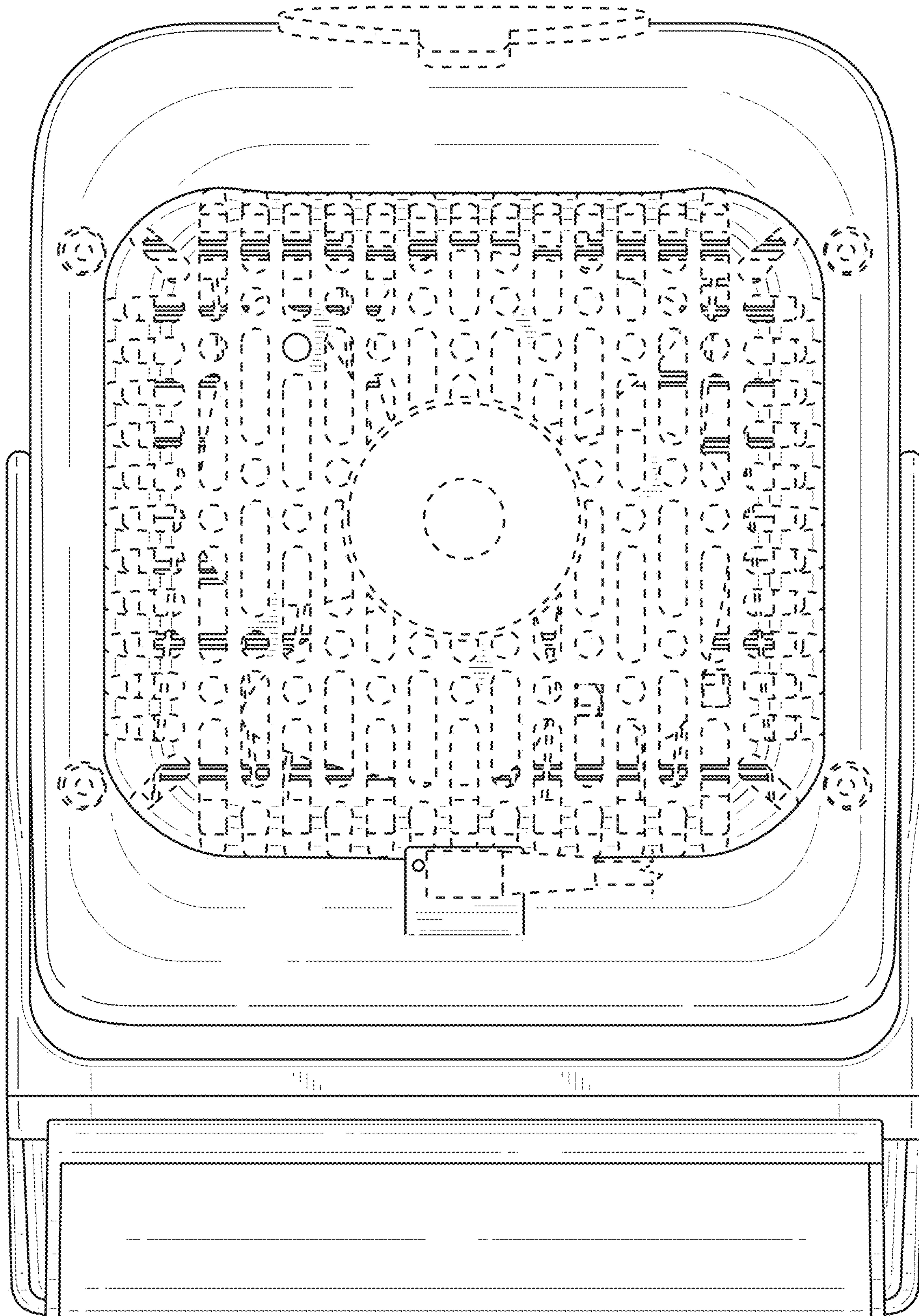


**FIG. 1**

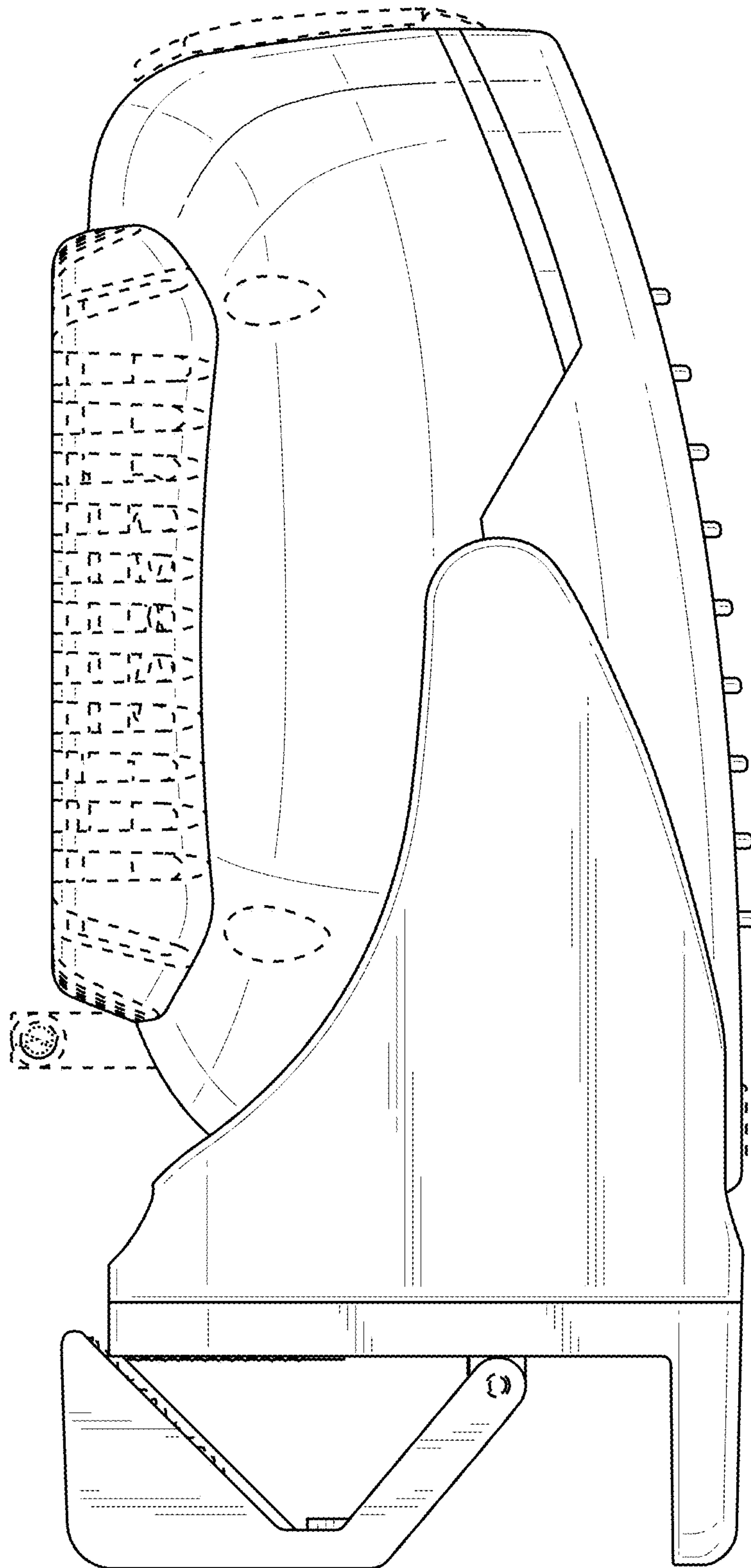




**FIG. 2**

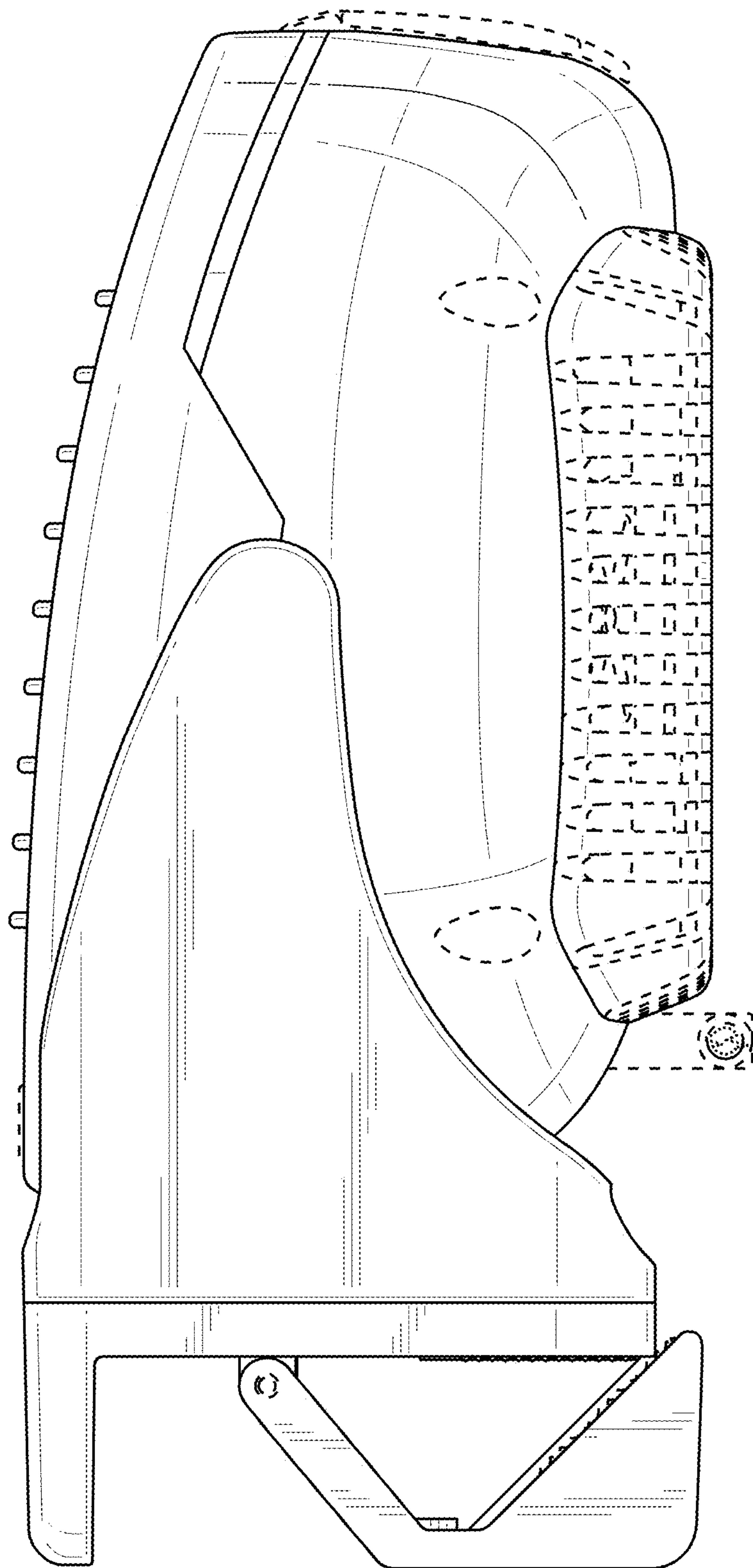


**FIG. 3**



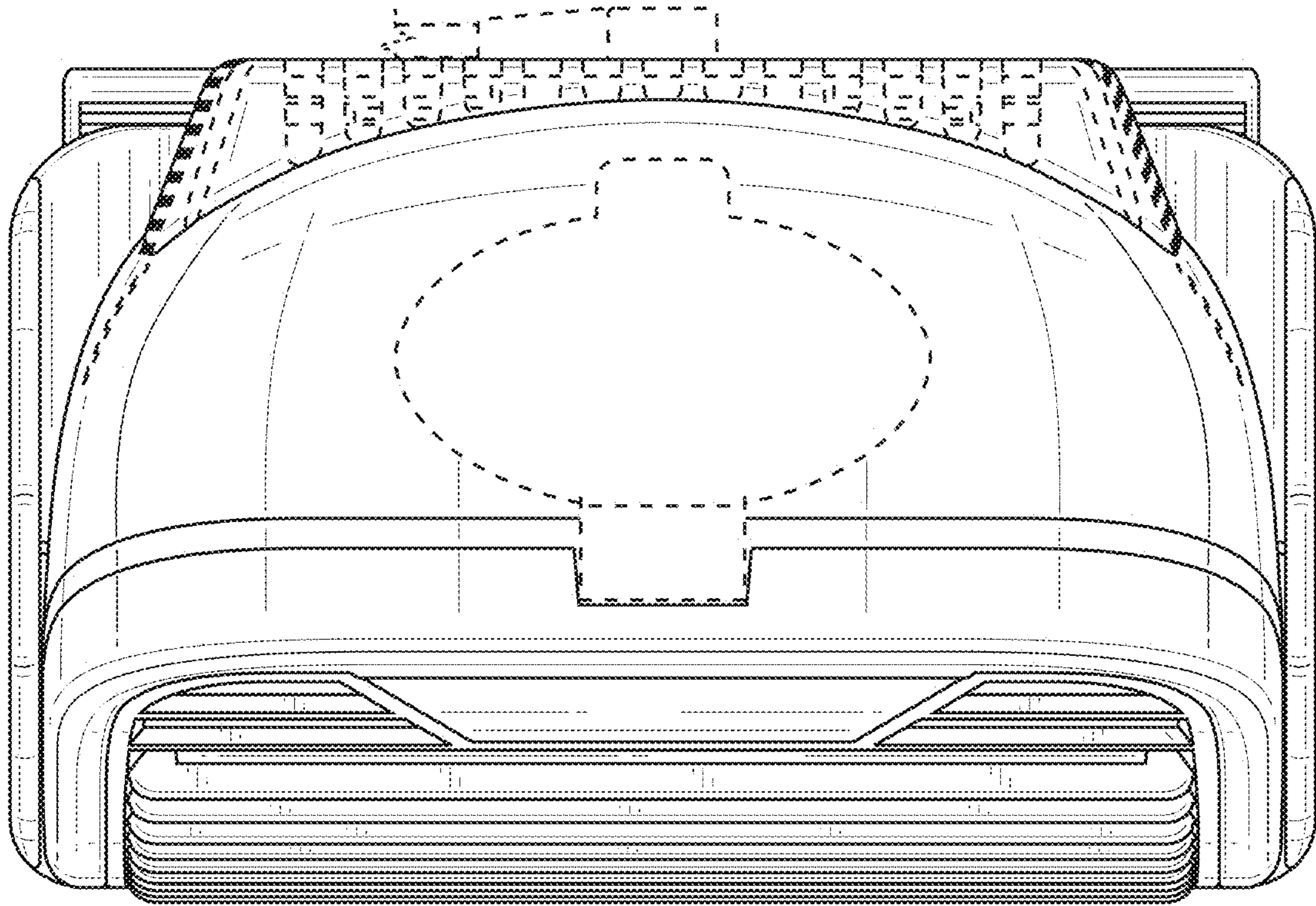
**FIG. 4**



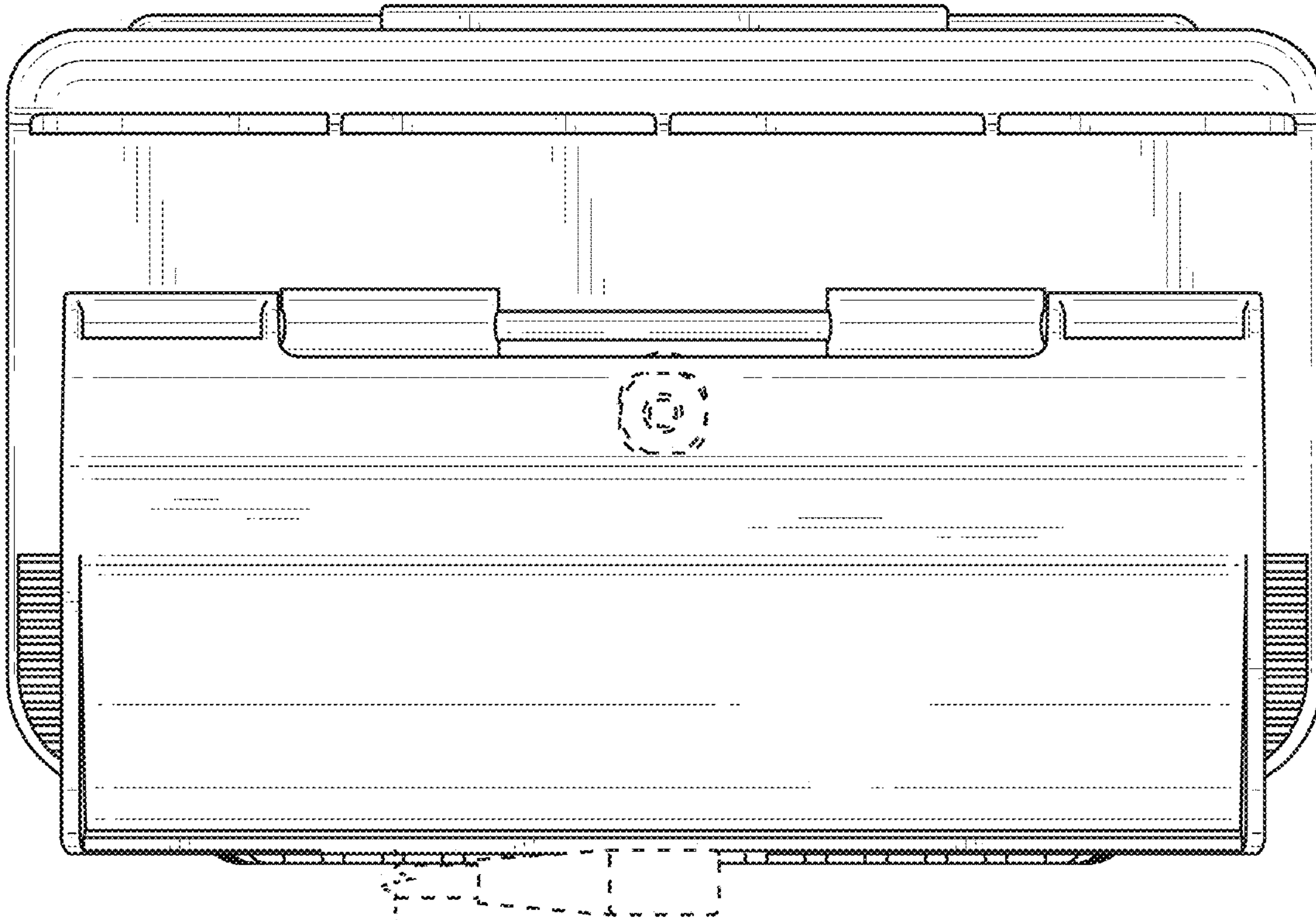


**FIG. 5**



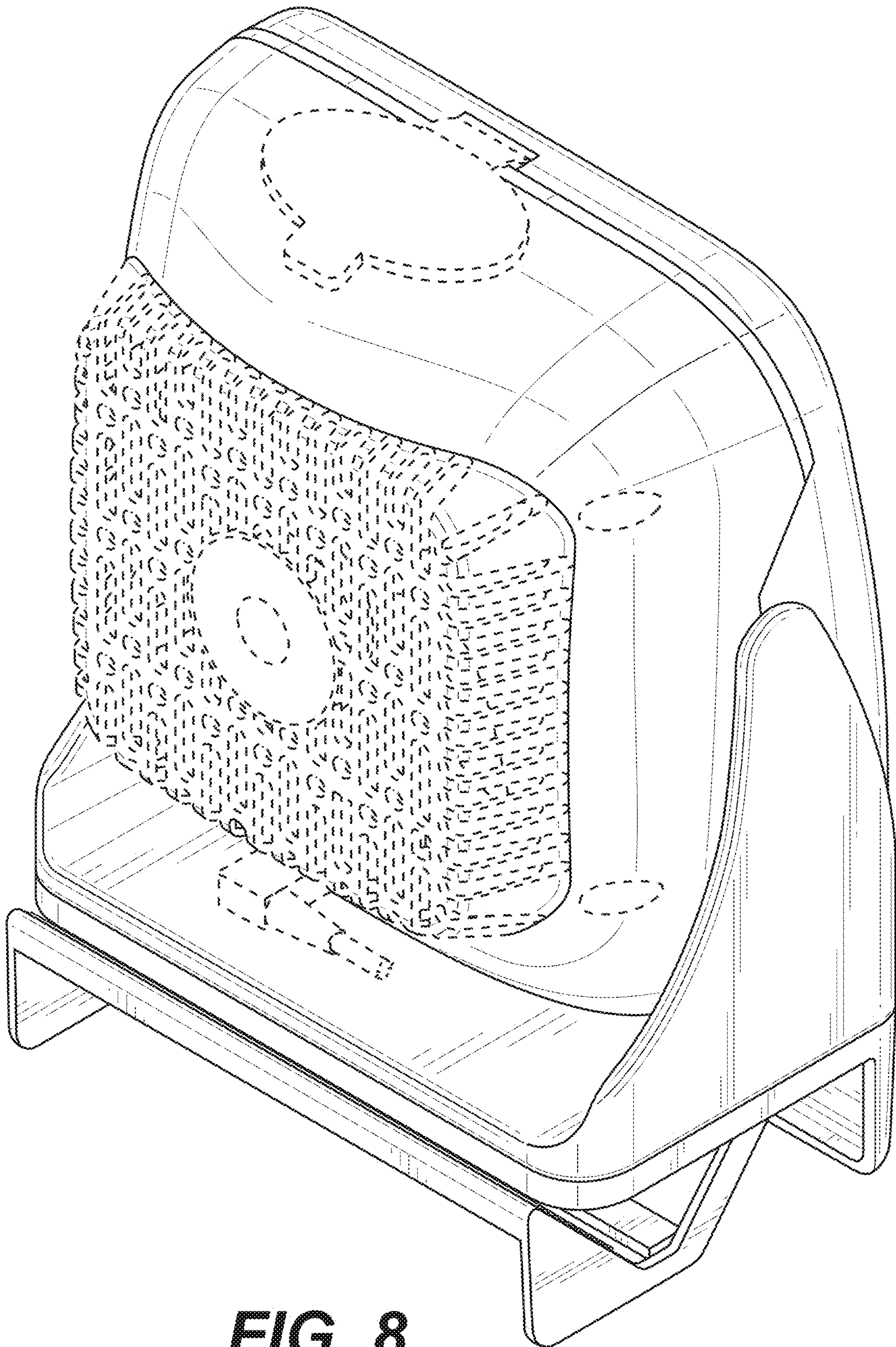


**FIG. 6**



**FIG. 7**





**FIG. 8**