



US00D948677S

(12) **United States Design Patent** (10) **Patent No.:** **US D948,677 S**
Gochko (45) **Date of Patent:** **** Apr. 12, 2022**

(54) **TOILET**

(71) Applicant: **Entijs Canada Inc.**, North York (CA)

(72) Inventor: **Ivan Gochko**, North York (CA)

(73) Assignee: **Entijs Canada Inc.**, Ontario (CA)

(**) Term: **15 Years**

(21) Appl. No.: **29/704,397**

(22) Filed: **Sep. 4, 2019**

(51) **LOC (13) Cl.** **23-02**

(52) **U.S. Cl.**
USPC **D23/301**

(58) **Field of Classification Search**
USPC D23/295, 301, 309, 313
See application file for complete search history.

(56) **References Cited**

U.S. PATENT DOCUMENTS

3,599,246	A	8/1971	Bramati et al.	
4,063,316	A	12/1977	Hunninghaus	
4,441,218	A	4/1984	Trybom	
5,199,113	A *	4/1993	Glasow	E03C 1/324 192/129 R
5,271,105	A	12/1993	Tyler	
D358,201	S *	5/1995	Wilhelm	D23/300
6,496,989	B1	12/2002	Meiser	
D533,261	S *	12/2006	Mukai	D23/301
D614,751	S *	4/2010	Ogawa	D23/295

(Continued)

FOREIGN PATENT DOCUMENTS

CN	101353902	1/2009
FR	2480825	10/1981

(Continued)

OTHER PUBLICATIONS

Daigle, Julien, "PCT International Search Report and Written Opinion of the International Searching Authority", PCT International Application No. PCT/CA2017/051346 filed on Nov. 10, 2017, dated Feb. 9, 2018, Quebec, Canada.

Primary Examiner — Robert A Delehanty

(74) *Attorney, Agent, or Firm* — Woods Oviatt Gilman LLP; Dennis B. Danella, Esq.

(57) **CLAIM**

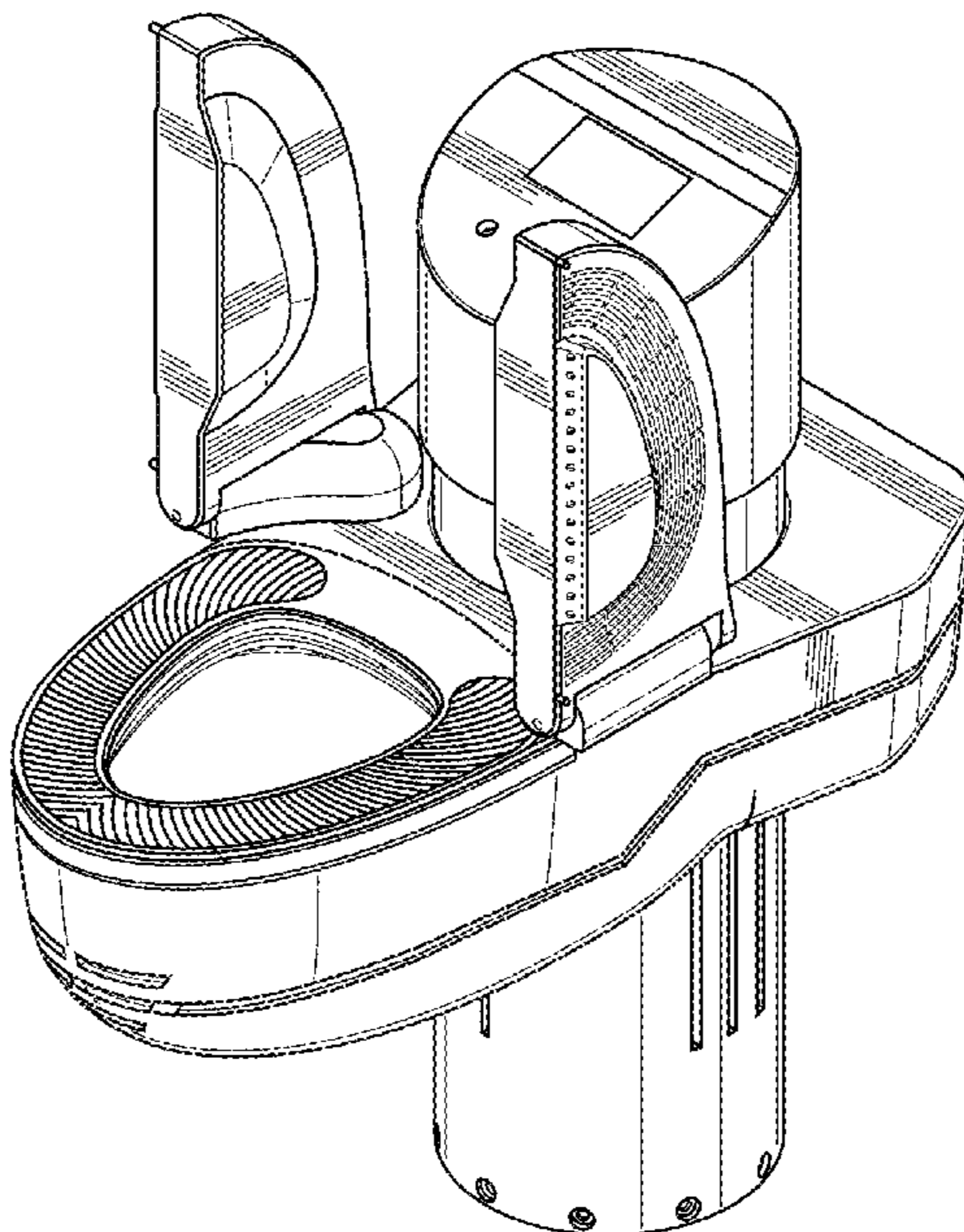
The ornamental design for the toilet, as shown and described.

DESCRIPTION

FIG. 1 is a front perspective view of a toilet, and in which a bowl portion of the toilet is shown in a raised position and a lid portion of the toilet is shown in an open position; FIG. 2 is a rear perspective view of the toilet of FIG. 1; FIG. 3 is a front view of the toilet of FIG. 1; FIG. 4 is a rear view of the toilet of FIG. 1; FIG. 5 is a left side view of the toilet of FIG. 1; FIG. 6 is a right side view of the toilet of FIG. 1; FIG. 7 is a top view of the toilet of FIG. 1; FIG. 8 is a bottom view of the toilet of FIG. 1; FIG. 9 is a front perspective view of the toilet of FIG. 1, and in which the bowl portion of the toilet is shown in a lowered position; FIG. 10 is a front perspective view of the toilet of FIG. 1, and in which the lid portion of the toilet is shown in a closed position; and, FIG. 11 is a rear perspective view of the toilet of FIG. 10. The portions of the drawings shown in broken lines form no part of the claimed design.

Furthermore, the present patent application also includes the contents set forth in Appendix A, which is attached herewith and incorporated herein by reference in their entirety.

1 Claim, 6 Drawing Sheets



(56)

References Cited

U.S. PATENT DOCUMENTS

7,987,529 B1 * 8/2011 Wise E03D 11/025
4/254
8,239,973 B1 8/2012 Character
8,291,525 B2 10/2012 Pondelick et al.
8,800,074 B2 * 8/2014 Rodgers E03D 11/135
4/667
2011/0113540 A1 5/2011 Plate et al.
2015/0308091 A1 10/2015 Foust et al.
2018/0338652 A1 * 11/2018 Erkelens A47K 17/028
2020/0102731 A1 * 4/2020 Gochko E03D 11/04
2020/0205688 A1 * 7/2020 Hall A61B 5/02444
2021/0246645 A1 * 8/2021 Rodgers E03D 11/12

FOREIGN PATENT DOCUMENTS

FR 2809124 11/2001
KR 100663754 1/2007
KR 20090076869 7/2009
KR 101140280 5/2012
WO 9218713 10/1992
WO 2010039567 4/2010
WO 2015155304 10/2015
WO 2018085939 5/2018

* cited by examiner

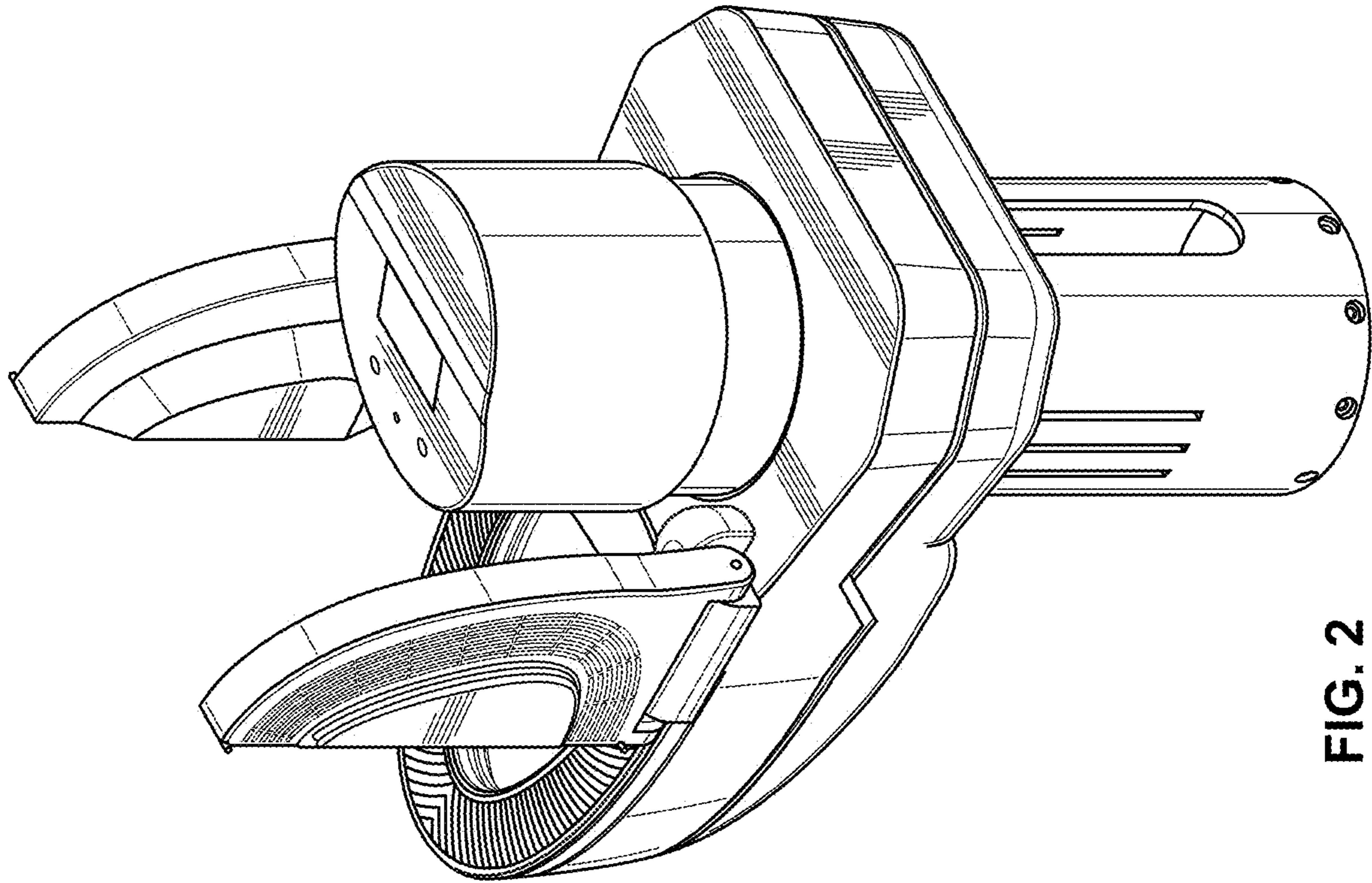


FIG. 1

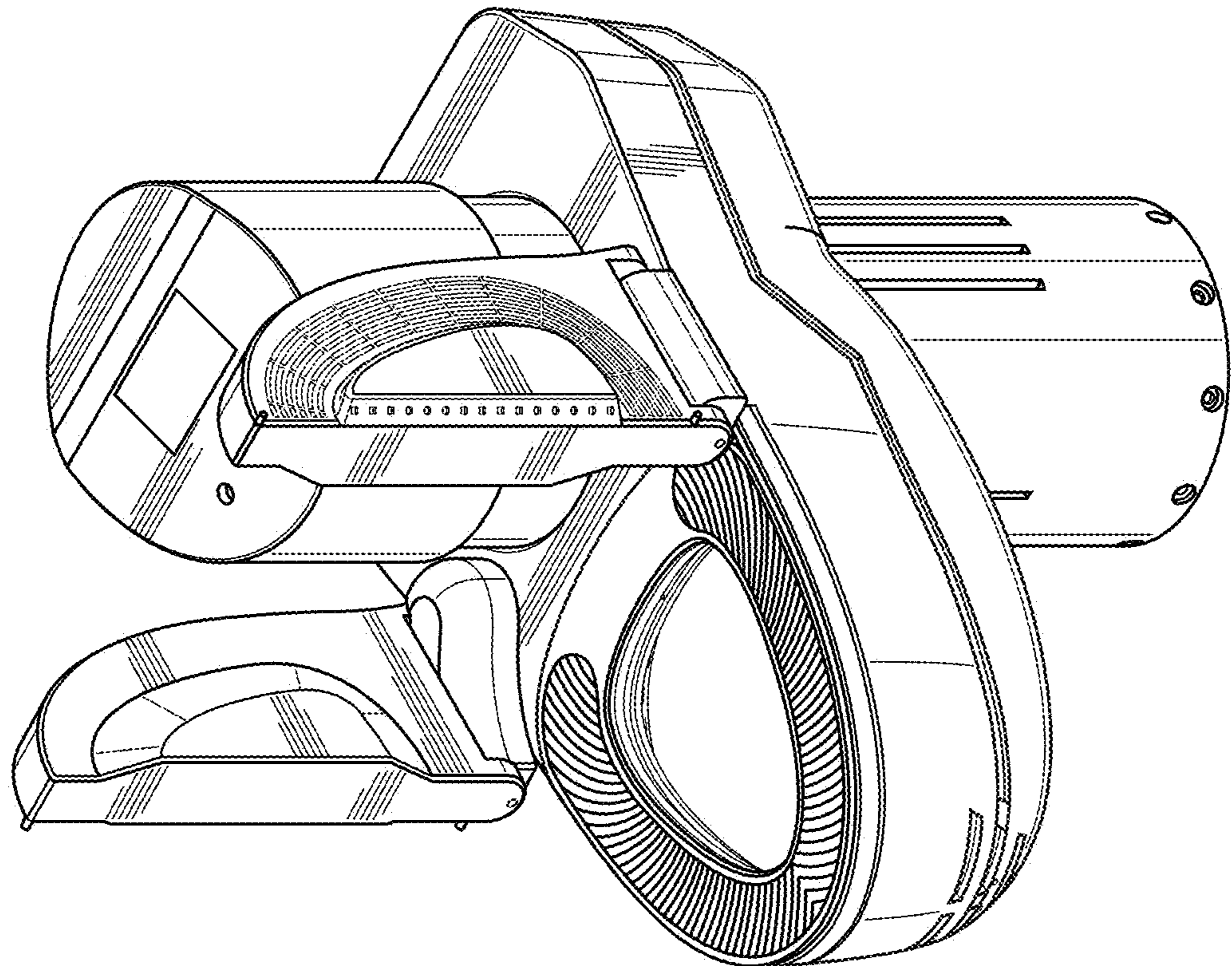


FIG. 2

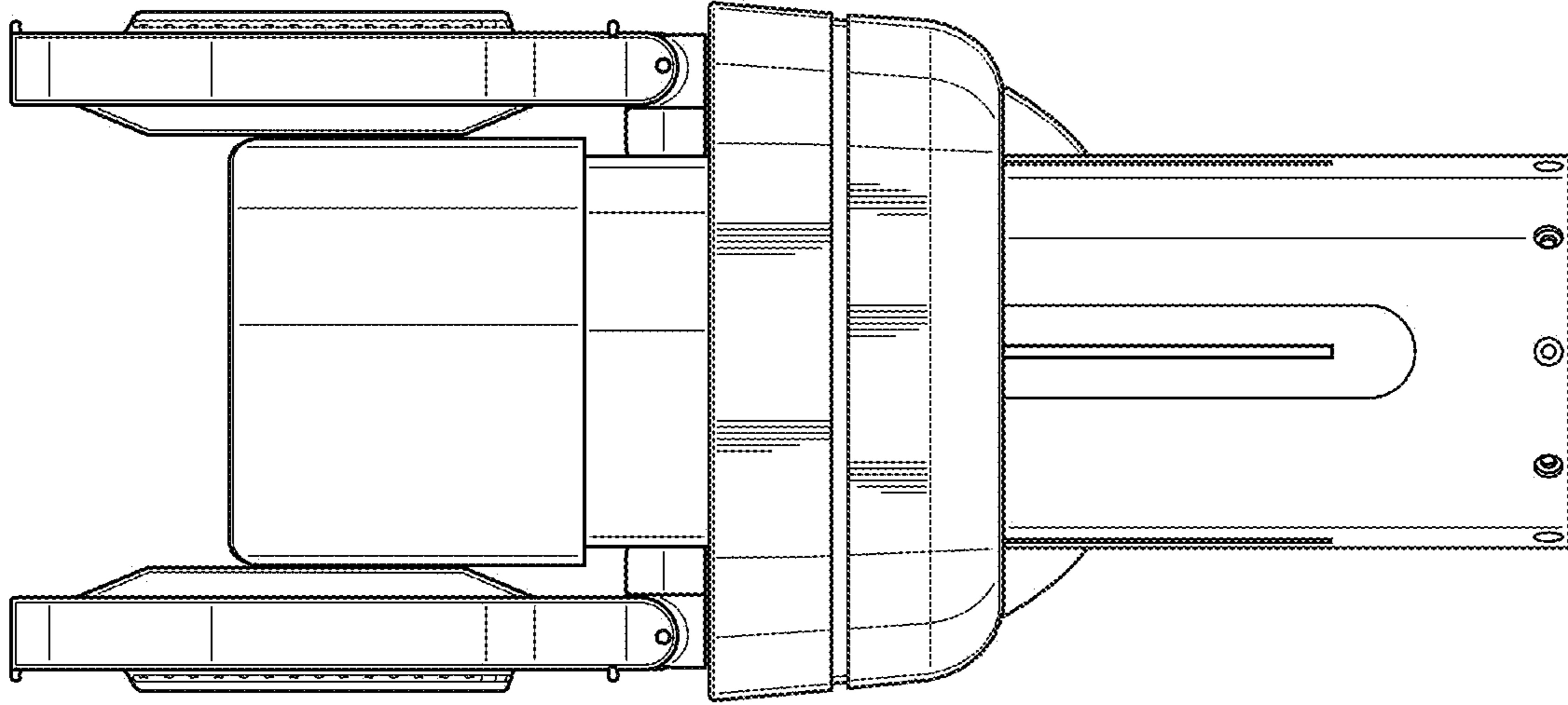


FIG. 4

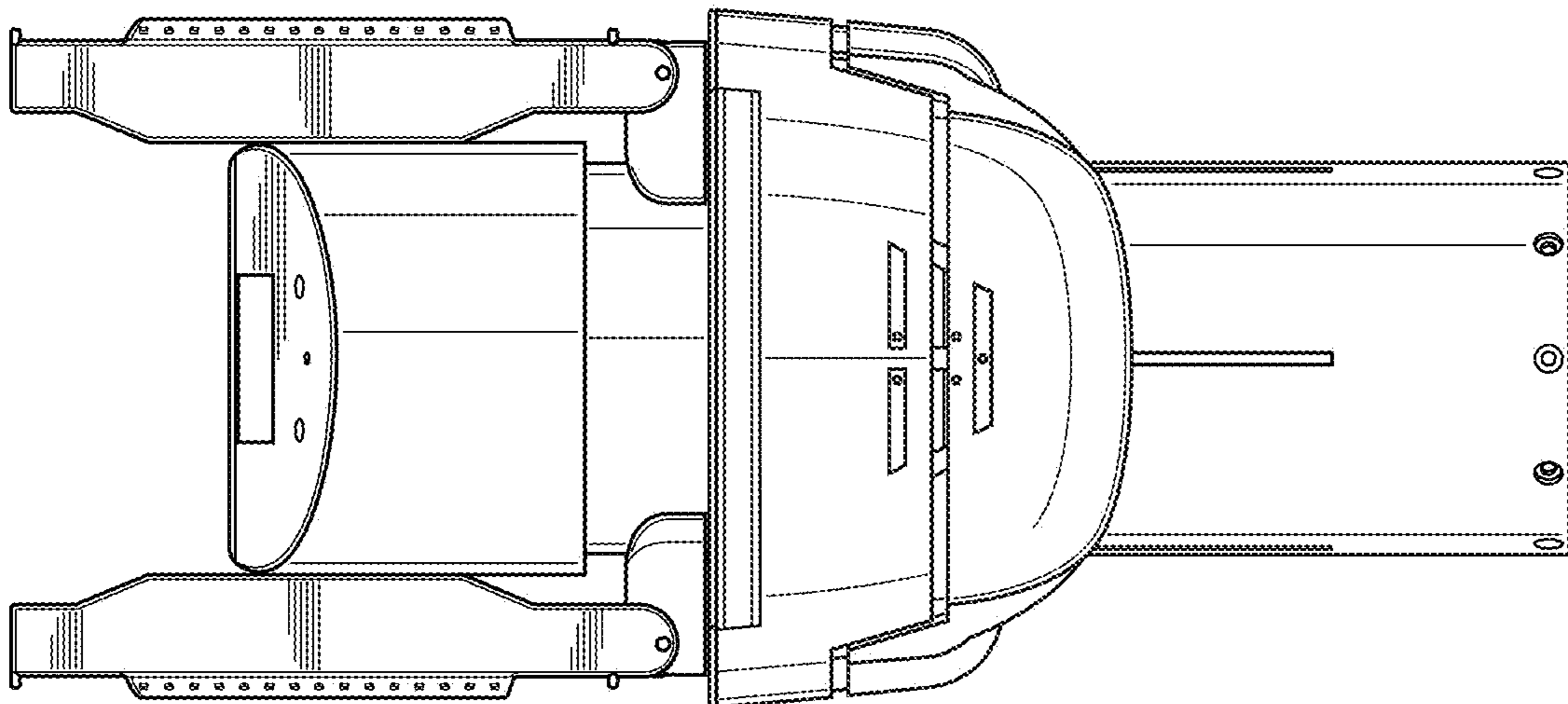


FIG. 3

FIG. 6

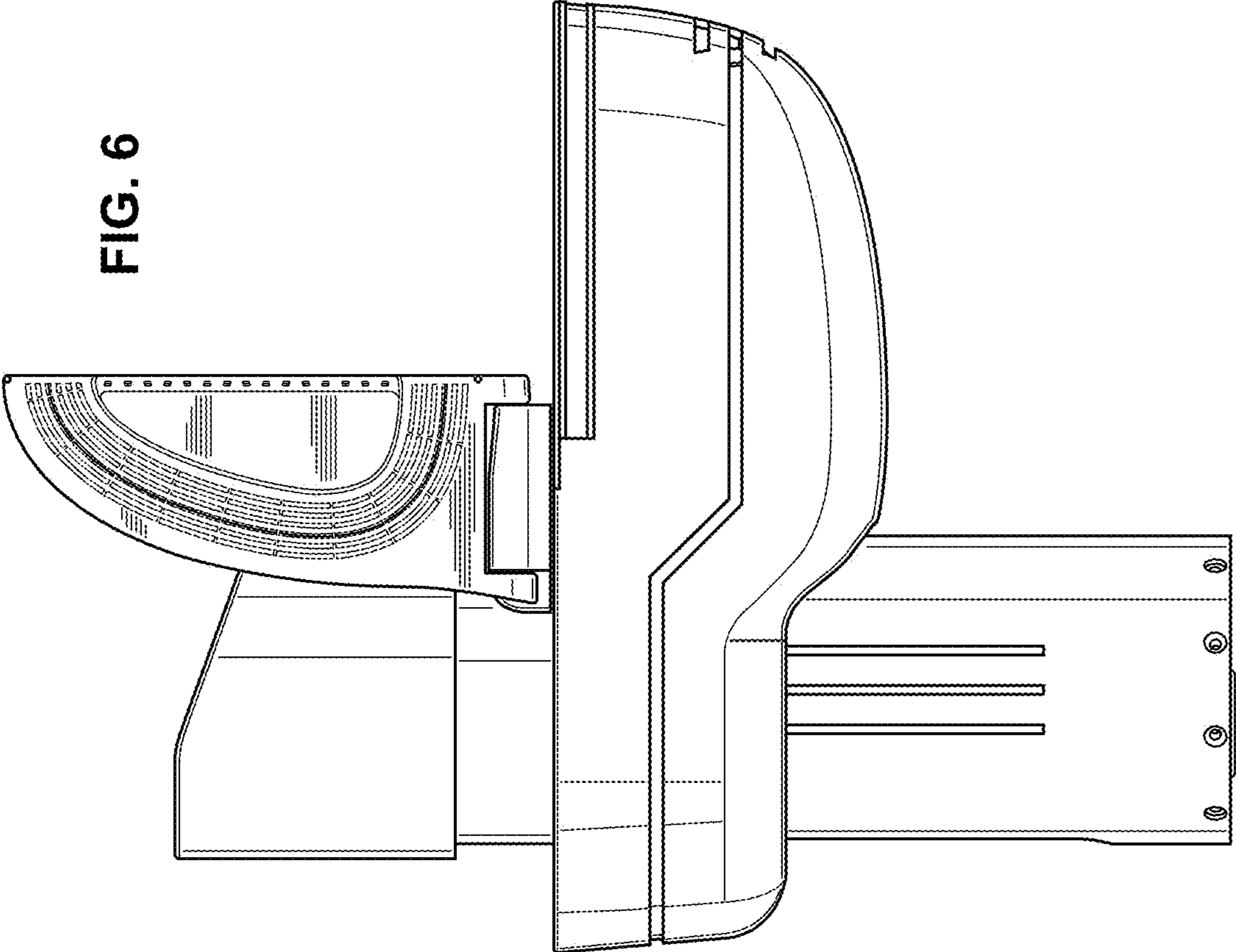


FIG. 5

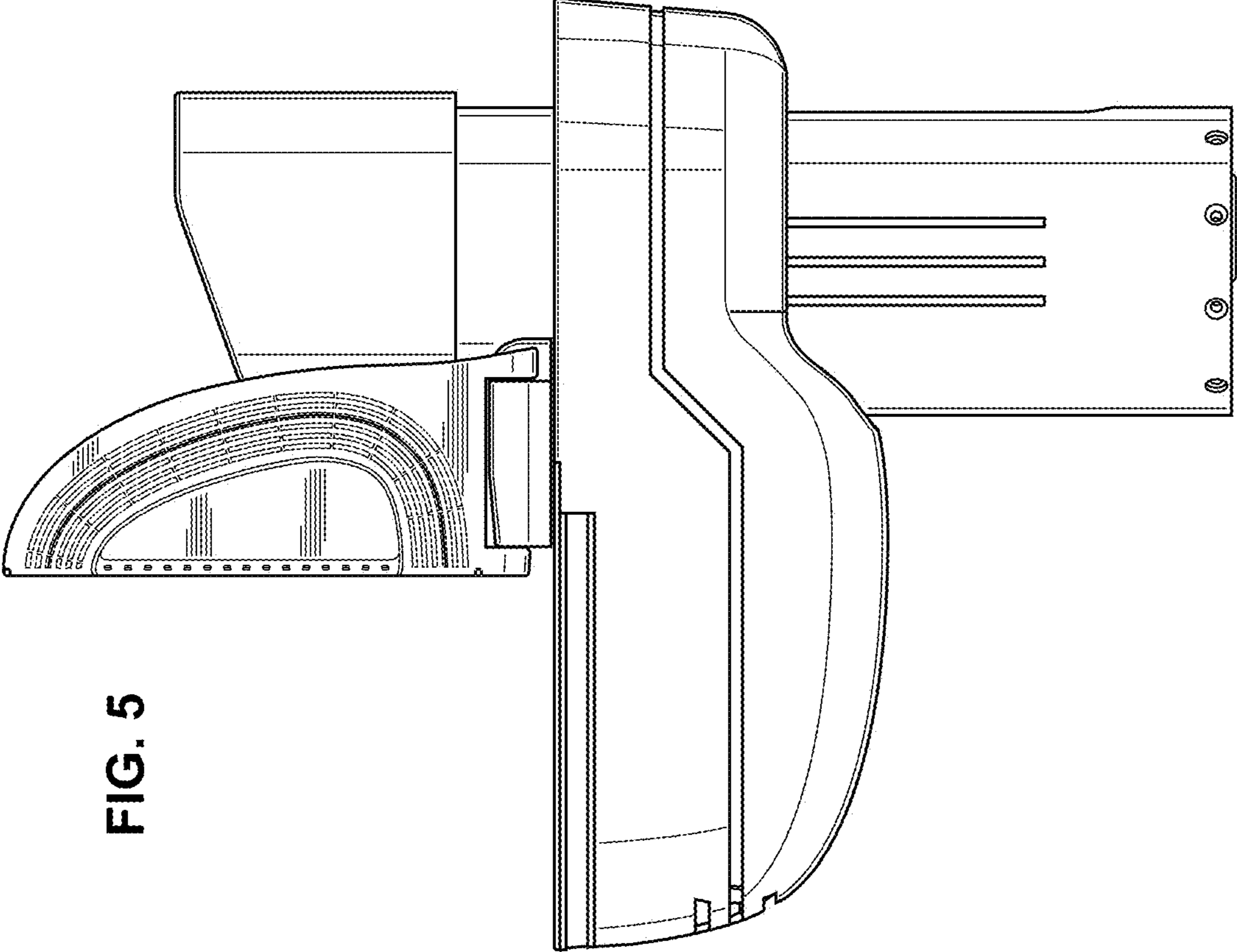


FIG. 8

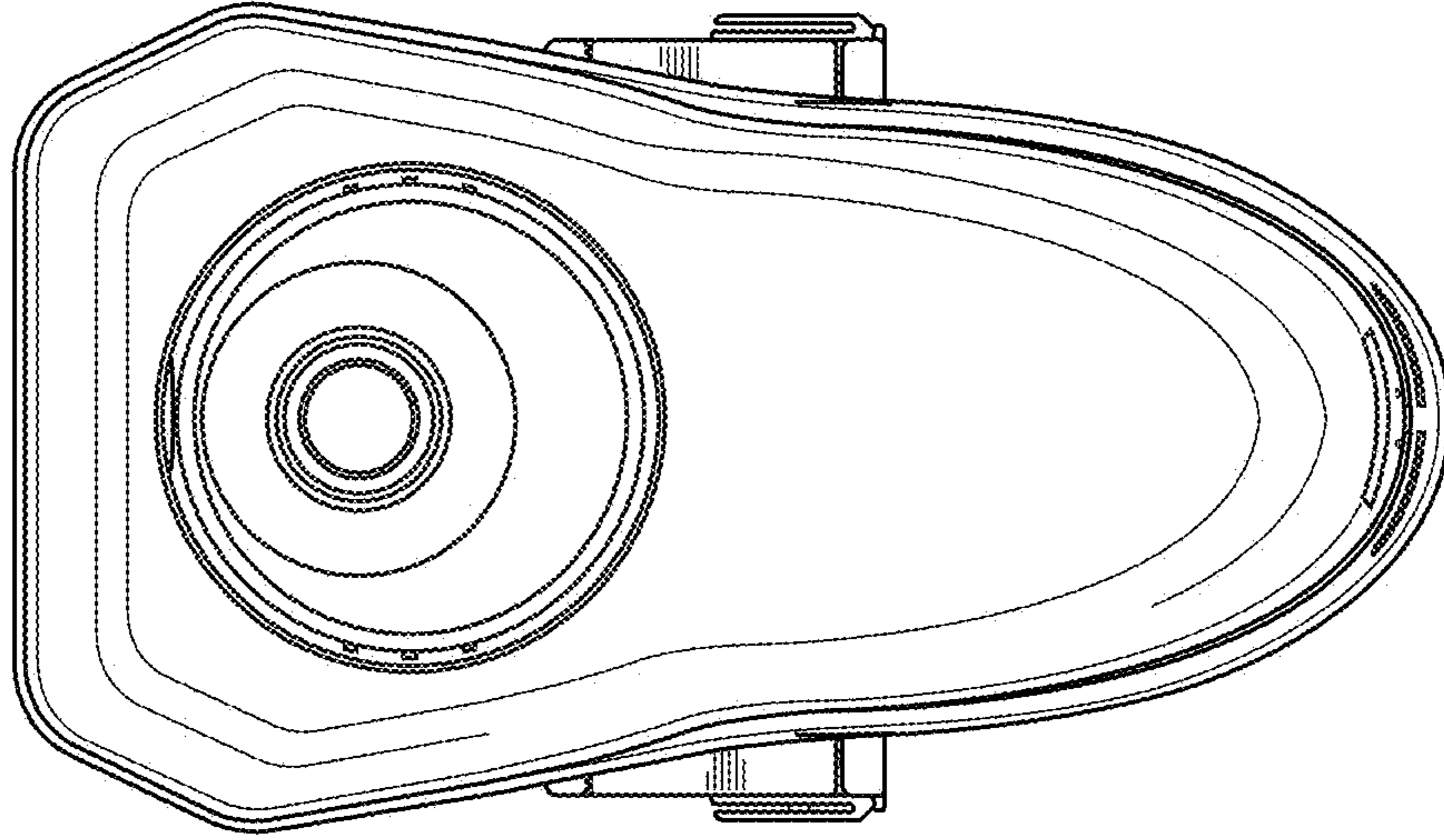
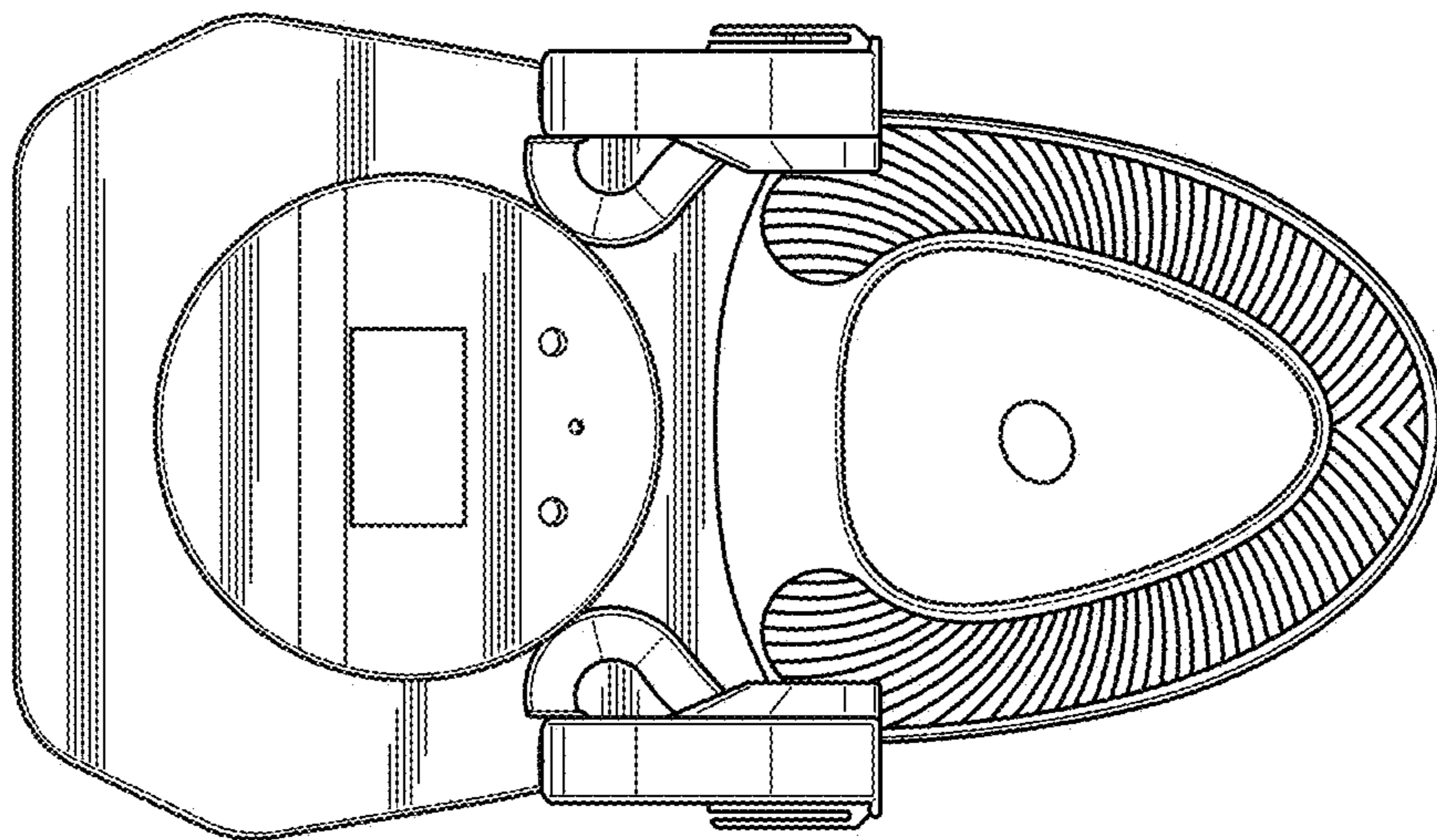


FIG. 7



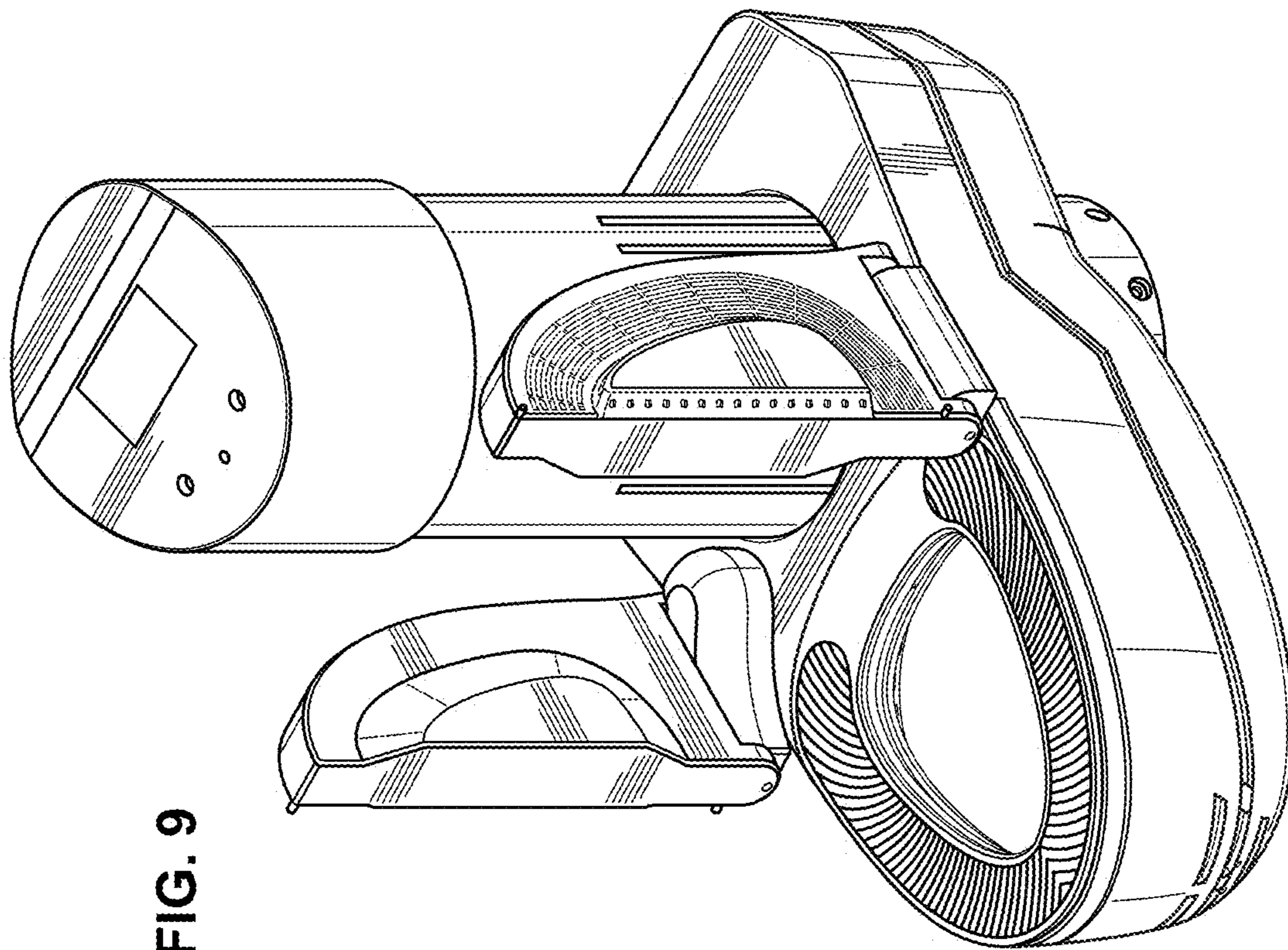


FIG. 9

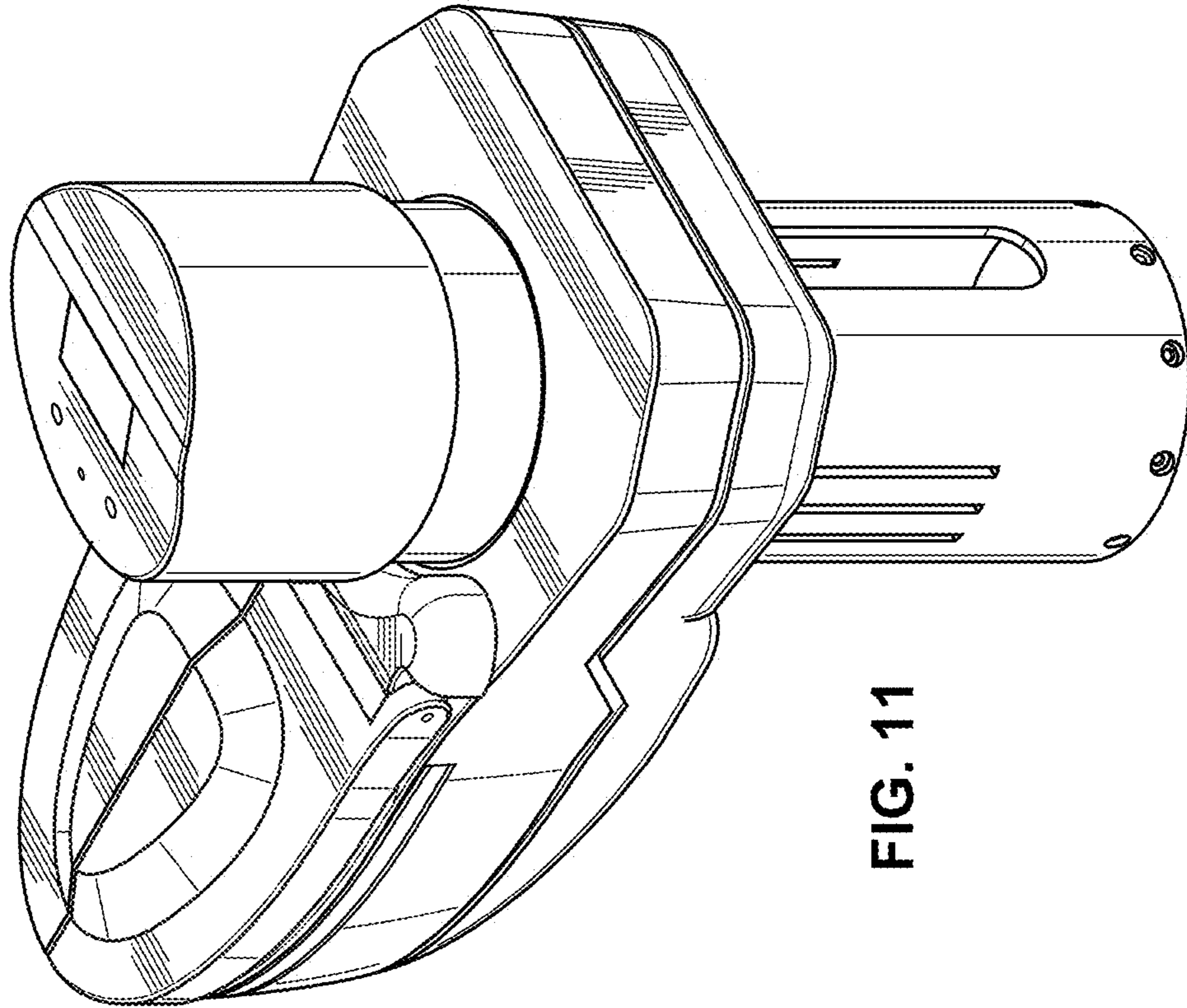


FIG. 11

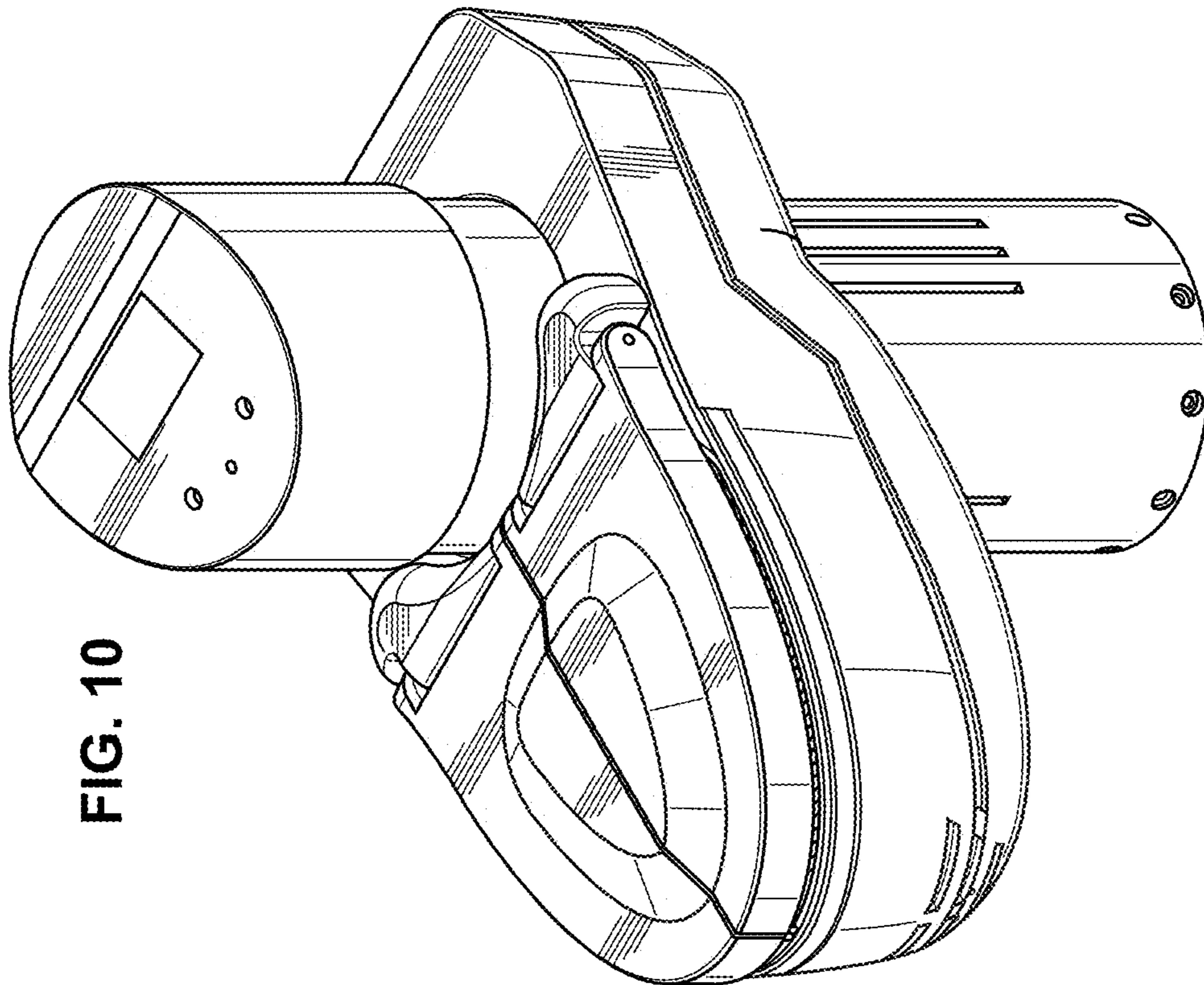


FIG. 10