



US00D948676S

(12) **United States Design Patent** (10) **Patent No.:** **US D948,676 S**  
**Bélanger** (45) **Date of Patent:** **\*\* Apr. 12, 2022**

(54) **BATHTUB**

FOREIGN PATENT DOCUMENTS

(71) Applicant: **Manufacturier Wet Inc./Wet Manufacturing Inc.**, Saint-Bruno (CA)

CN 305373399 \* 1/2019

(72) Inventor: **Pierre Bélanger**, Saint-Bruno (CA)

OTHER PUBLICATIONS

(73) Assignee: **Manufacturier Wet Inc./Wet Manufacturing Inc.**, Saint-Bruno (CA)

Ove Decors Freestanding Soaking Bathtub, first available Nov. 5, 2013[online], [site visited Jul. 14, 2021]. Available from internet, URL:<https://www.amazon.com/Ove-Decors-Terra-Freestanding-Acrylc/dp/B00G9TFW04/ref=cm\_cr\_arp\_d\_product\_top?ie=UTF8> (Year: 2013).\*

(\*\*) Term: **15 Years**

BLB 02 Lab Collection, announced Date unavailable[online], [site visited Jul. 15, 2021]. Available from internet, URL:<https://wetstyle.ca/product/blb-02/> (Year: 2021).\*

(21) Appl. No.: **29/718,715**

(22) Filed: **Dec. 27, 2019**

\* cited by examiner

(30) **Foreign Application Priority Data**

Jun. 28, 2019 (CA) ..... CA 188421

*Primary Examiner* — Barbara Fox

(51) **LOC (13) Cl.** ..... **23-01**

*Assistant Examiner* — Jamaal Rasheed

(52) **U.S. Cl.**

(74) *Attorney, Agent, or Firm* — Hodgson Russ LLP

USPC ..... **D23/277**

(58) **Field of Classification Search**

(57) **CLAIM**

USPC ... D23/277–279, 280.1, 280.2, 280.3, 280.4, D23/304–307

The ornamental design for a bathtub, as shown and described.

CPC ..... A47K 3/02; A47K 3/006; A47K 3/022  
See application file for complete search history.

(56) **References Cited**

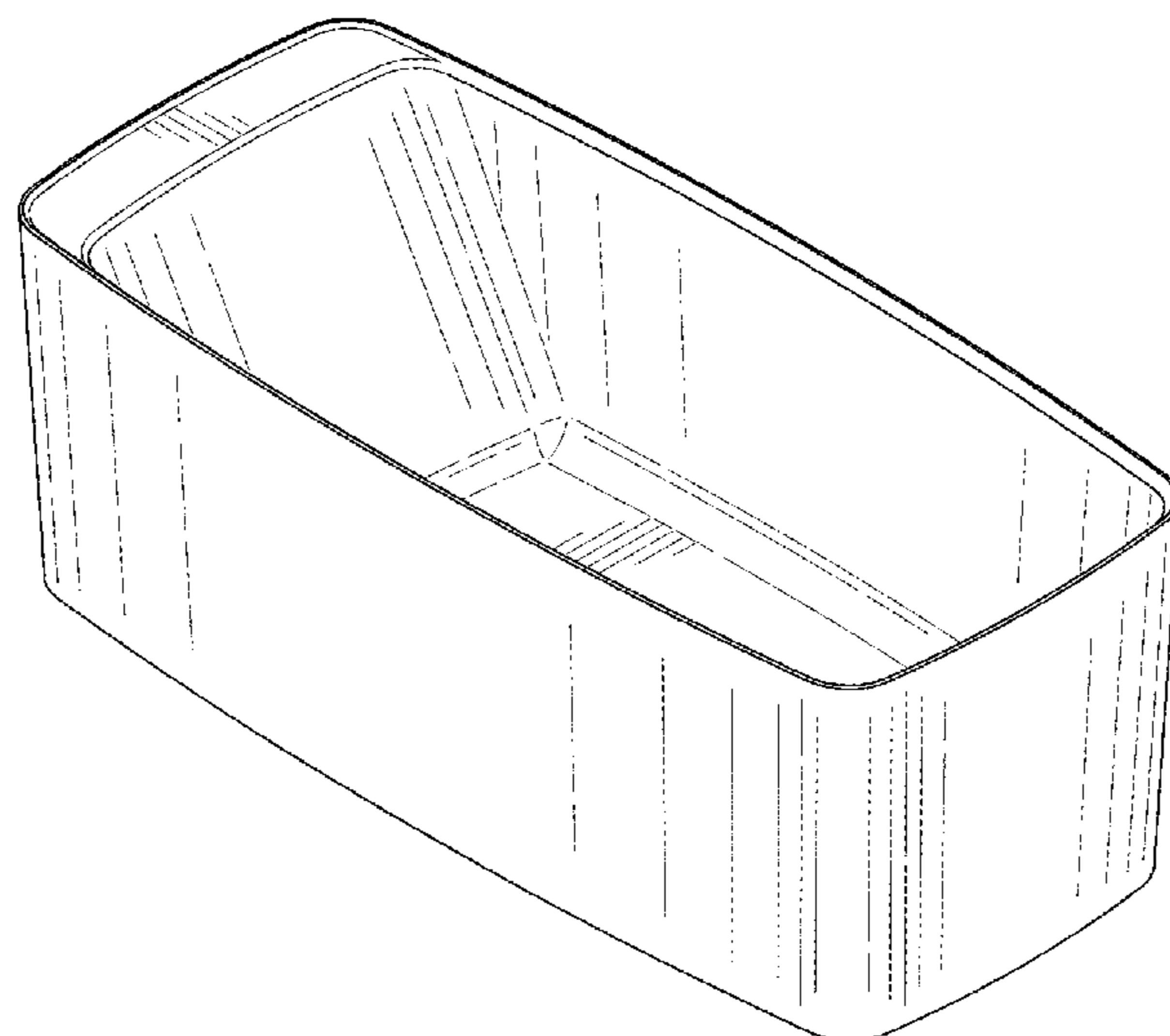
**DESCRIPTION**

U.S. PATENT DOCUMENTS

D77,917 S *	3/1929	Selligman	.....	D23/277
D98,051 S *	1/1936	Callahan	.....	D23/277
4,890,341 A *	1/1990	Forbes	.....	A47K 3/006 4/555
D633,602 S *	3/2011	Miura	.....	D23/280.1
D711,517 S *	8/2014	Newson	.....	D23/280.1
D724,706 S *	3/2015	Meneghello	.....	D23/277
D747,446 S *	1/2016	Yoshioka	.....	D23/277
D826,384 S *	8/2018	Bowen	.....	D23/277
D827,790 S *	9/2018	Bowen	.....	D23/277
D834,157 S *	11/2018	L'Henaff	.....	D23/277
D886,959 S *	6/2020	Bucher	.....	D23/277
2008/0072375 A1 *	3/2008	Stewart	.....	A61H 33/005 4/584

FIG. 1 is top plan view of a bathtub;  
FIG. 2 is a left side elevation view thereof, the right side elevation view, not shown, having the same appearance as the left side elevation view;  
FIG. 3 is a front elevation view thereof;  
FIG. 4 is a front-top-left side perspective view thereof;  
FIG. 5 is another front-top-left side perspective view thereof;  
FIG. 6 is a rear-top-right side perspective view thereof;  
FIG. 7 is top-left side perspective view thereof; and,  
FIG. 8 is a rear-top-left side perspective view thereof.

**1 Claim, 6 Drawing Sheets**



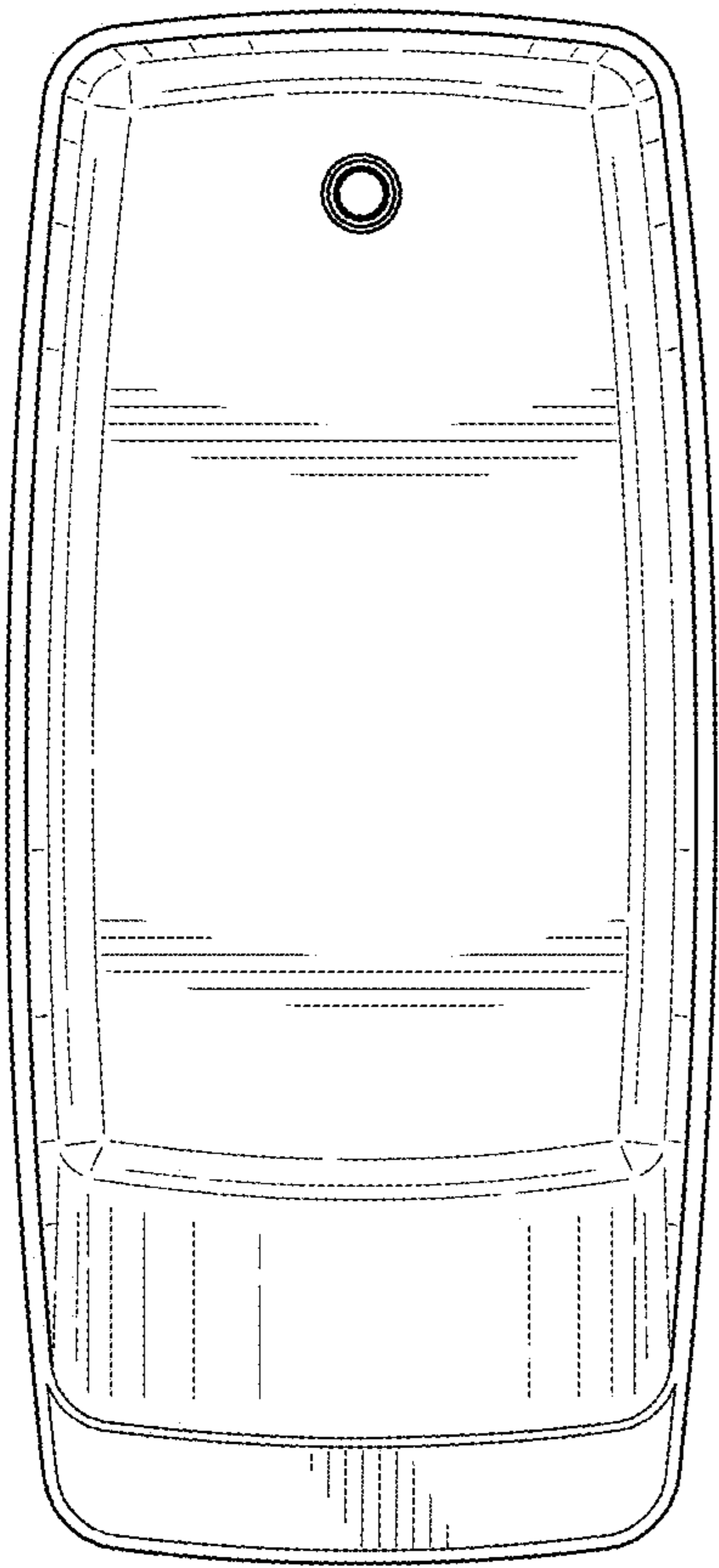


FIG. 1

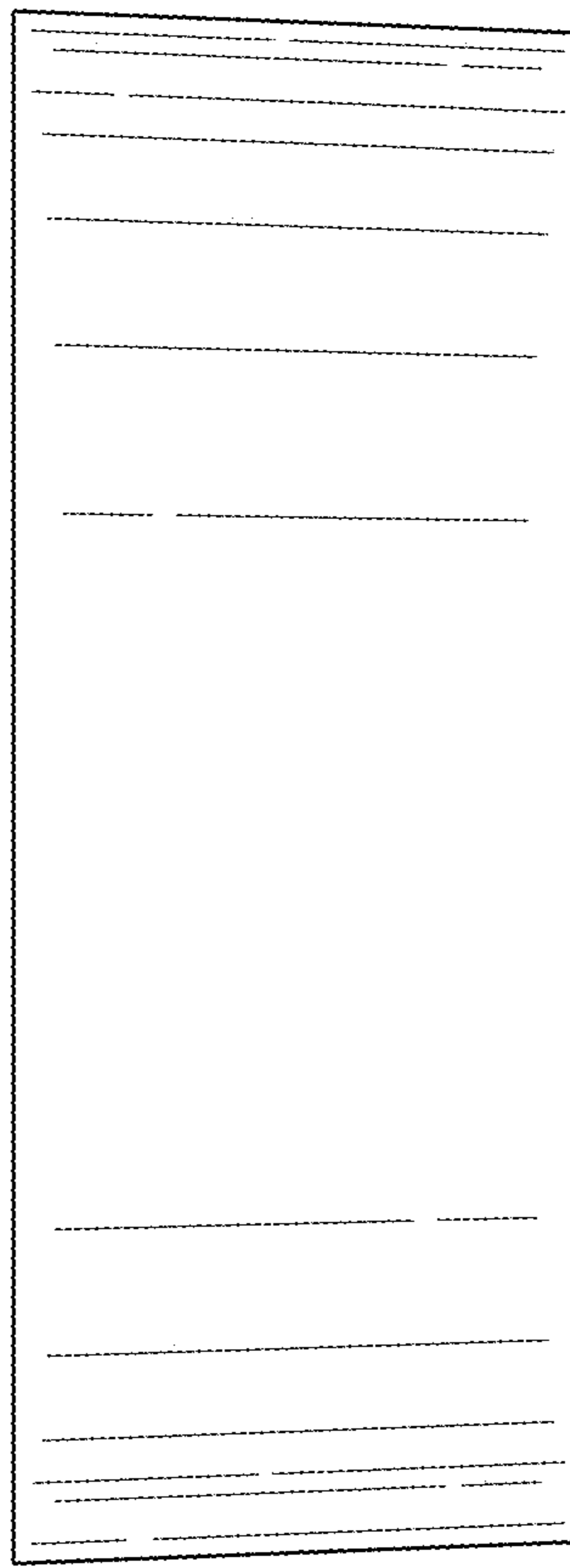


FIG. 2

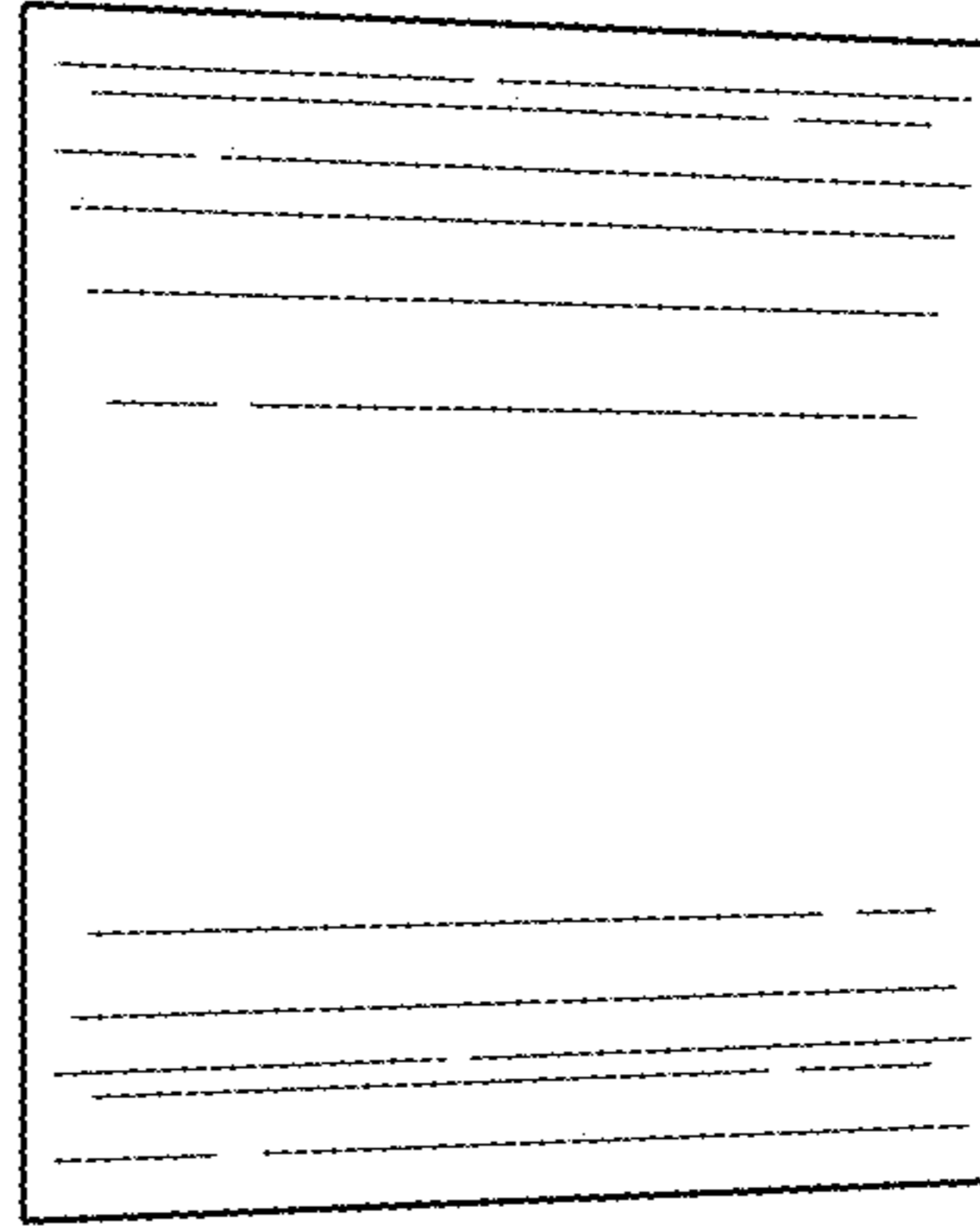


FIG. 3

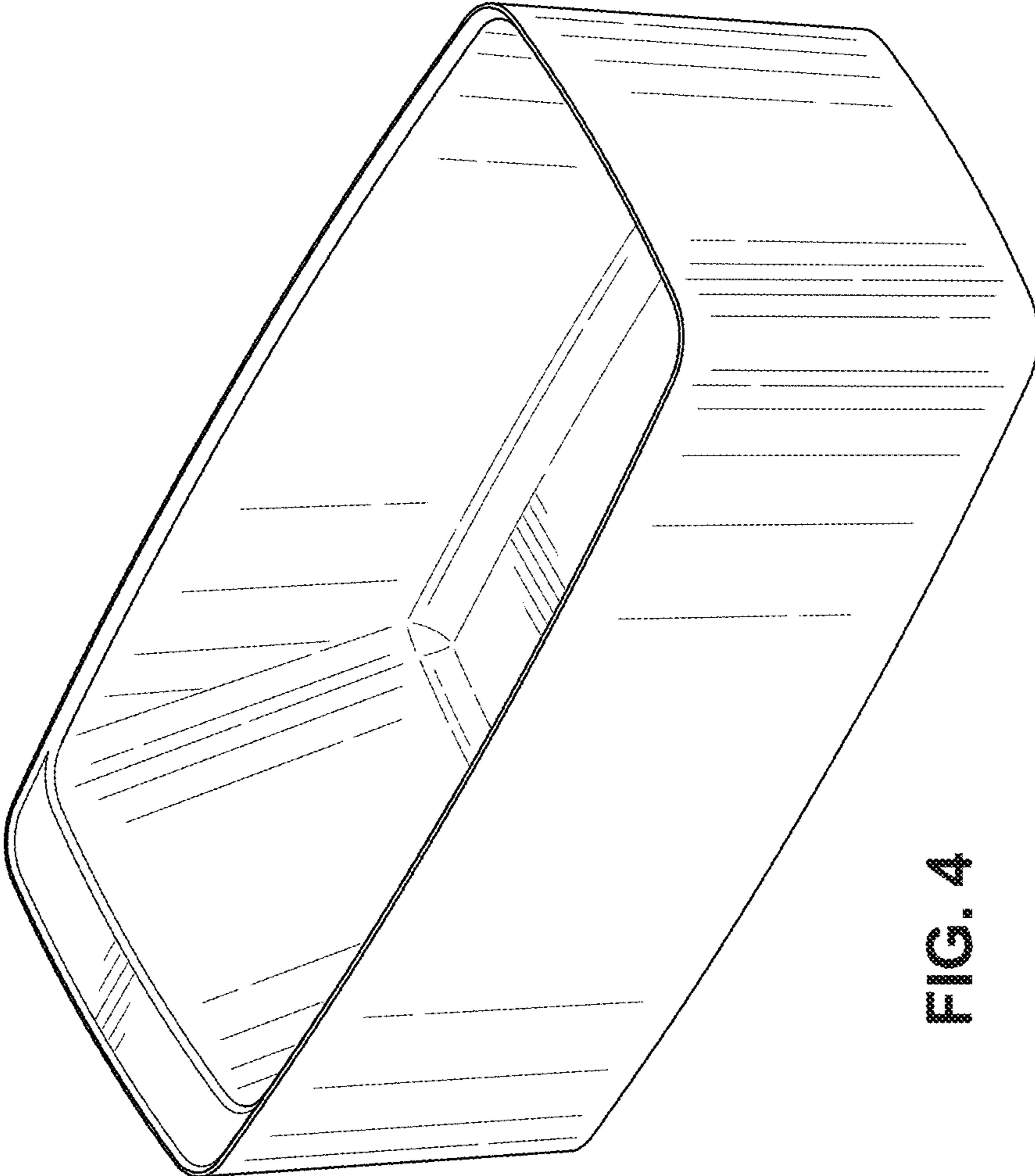


FIG. 4

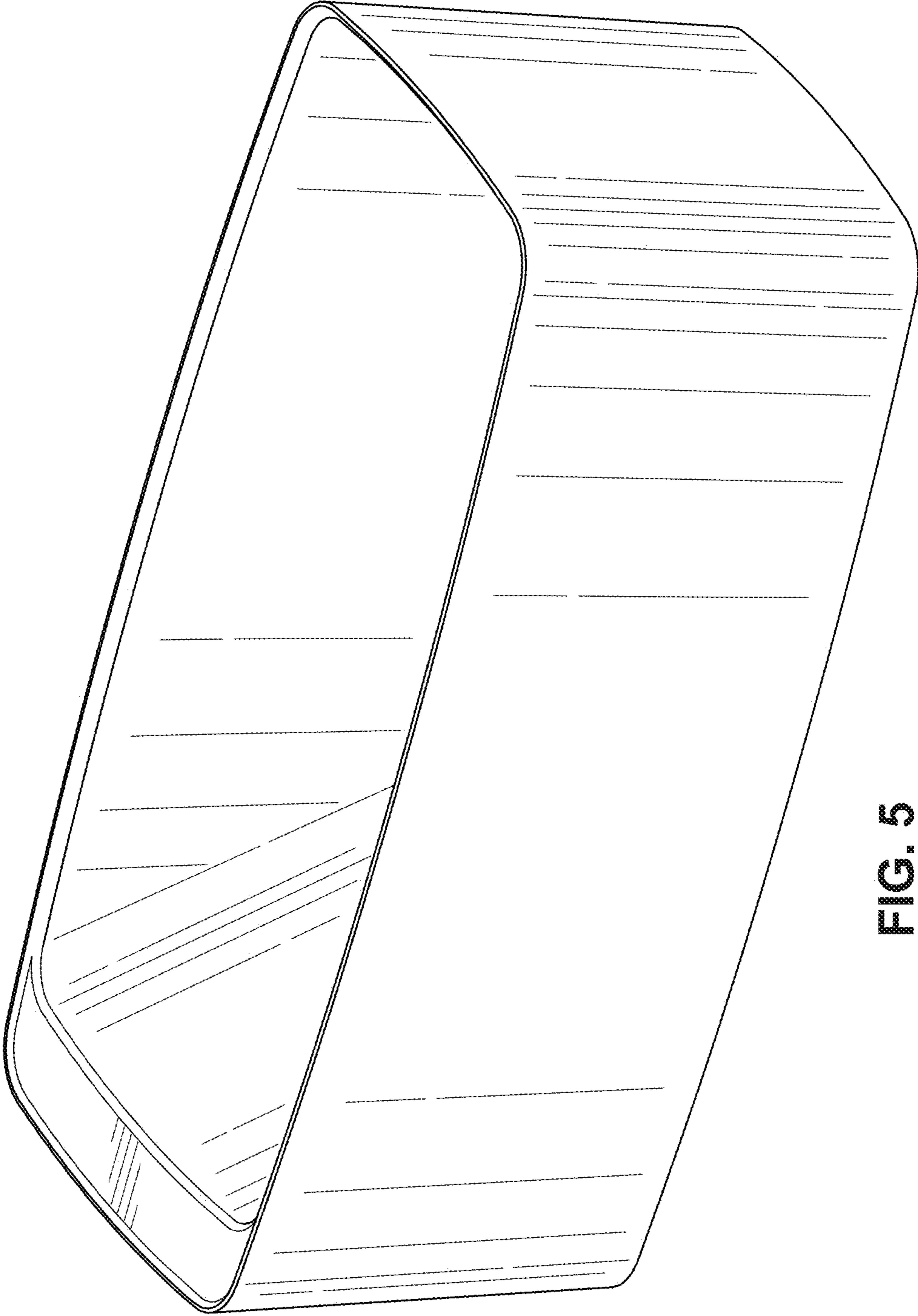


FIG. 5

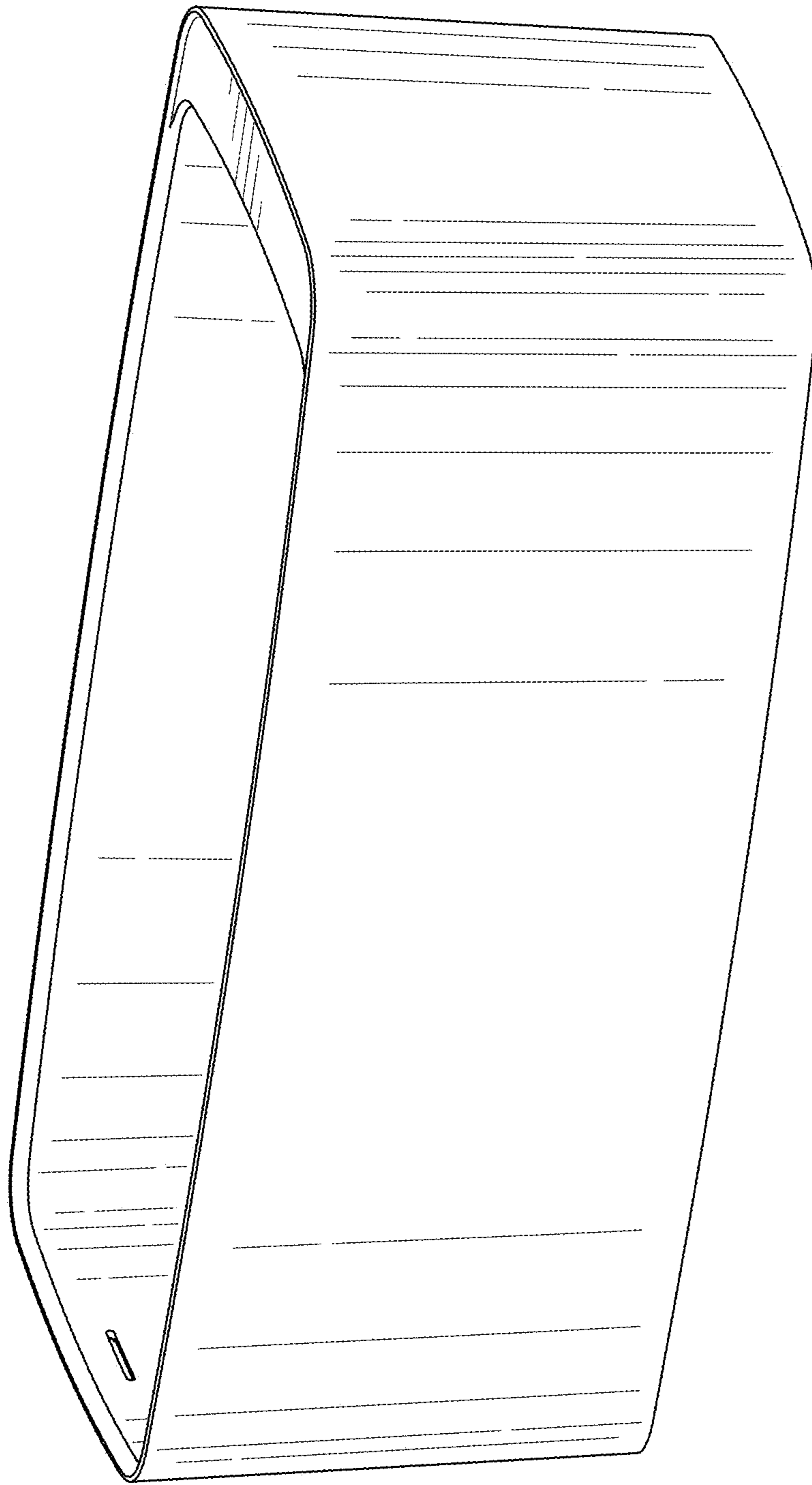


FIG. 6



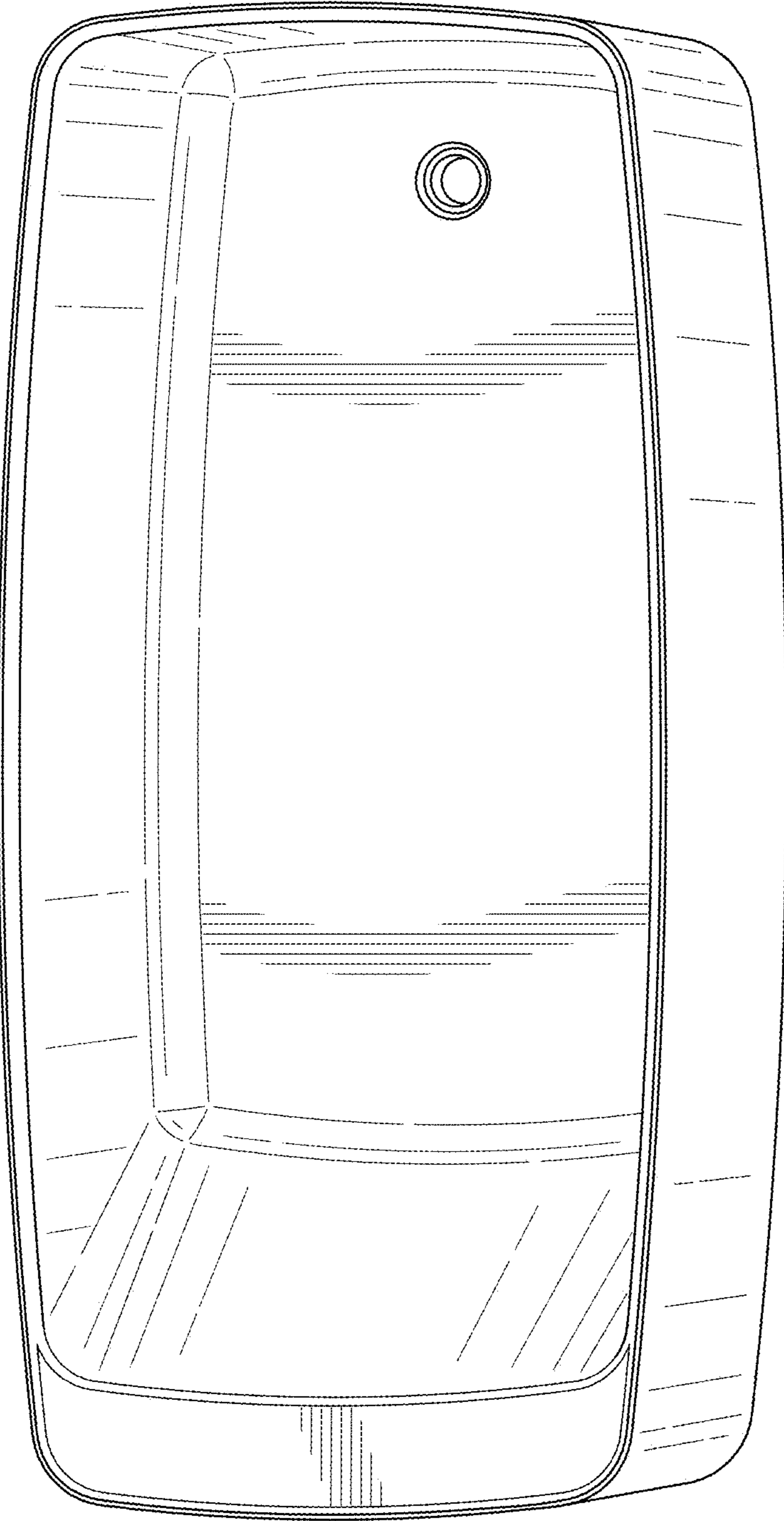


FIG. 7

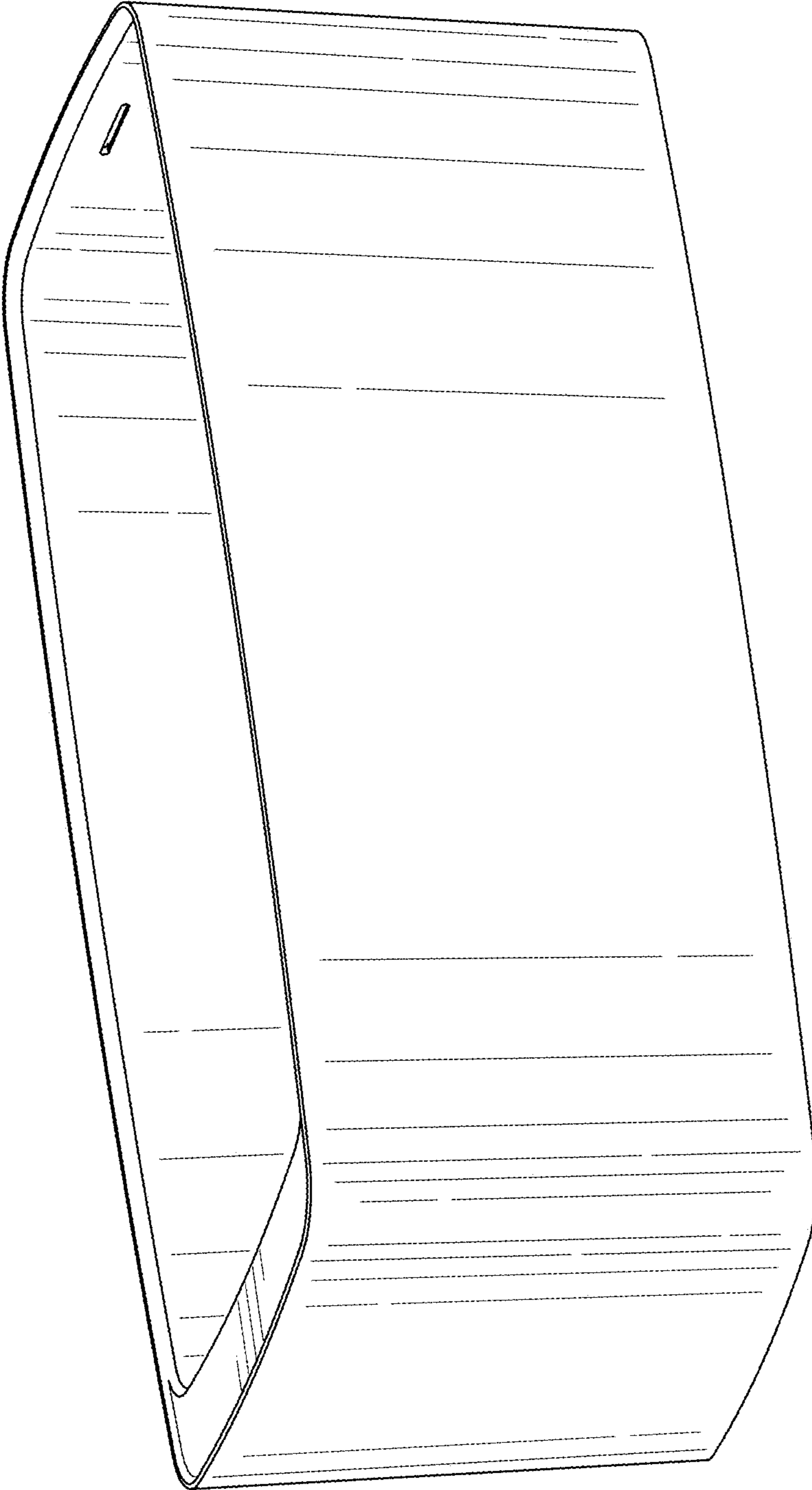


FIG. 8