



US00D948674S

(12) **United States Design Patent**
Santos

(10) **Patent No.:** **US D948,674 S**

(45) **Date of Patent:** **** Apr. 12, 2022**

(54) **UNIVERSAL CONTAINER**

(71) Applicant: **Shawn Santos**, Honolulu, HI (US)

(72) Inventor: **Shawn Santos**, Honolulu, HI (US)

(**) Term: **15 Years**

(21) Appl. No.: **35/001,768**

(22) Filed: **Nov. 20, 2019**

(80) **Hague Agreement Data**

Int. Filing Date: **Nov. 20, 2019**

Int. Reg. No.: **DM/210555**

Int. Reg. Date: **Nov. 20, 2019**

Int. Reg. Pub. Date: **Oct. 9, 2020**

(51) **LOC (13) Cl.** **23-01**

(52) **U.S. Cl.**
USPC **D23/261**

(58) **Field of Classification Search**
USPC D23/259–263, 266–269, 233
CPC F16L 11/00; F16L 37/252; F16L 41/007;
E03C 1/26; E03C 1/262; E03C 1/28;
E03F 5/04; A61B 5/00; A61M 25/09016
See application file for complete search history.

(56) **References Cited**

U.S. PATENT DOCUMENTS

2,783,852 A * 3/1957 Sisk E03F 5/0409
210/165
4,419,232 A * 12/1983 Arntyr E03C 1/262
210/164

D761,942 S * 7/2016 Santos D23/261
D790,673 S * 6/2017 Santos D23/261
D790,674 S * 6/2017 Santos D23/261
D836,756 S * 12/2018 Myers, II E03C 1/26
D23/261
D837,950 S * 1/2019 Santos D23/261
10,870,974 B2 * 12/2020 Santos E03C 1/264
D936,188 S * 11/2021 Cohen D23/261
2016/0002899 A1 * 1/2016 Santos C02F 1/285
4/292

* cited by examiner

Primary Examiner — Michael A. Pratt

(74) *Attorney, Agent, or Firm* — Thorpe North & Western, LLP

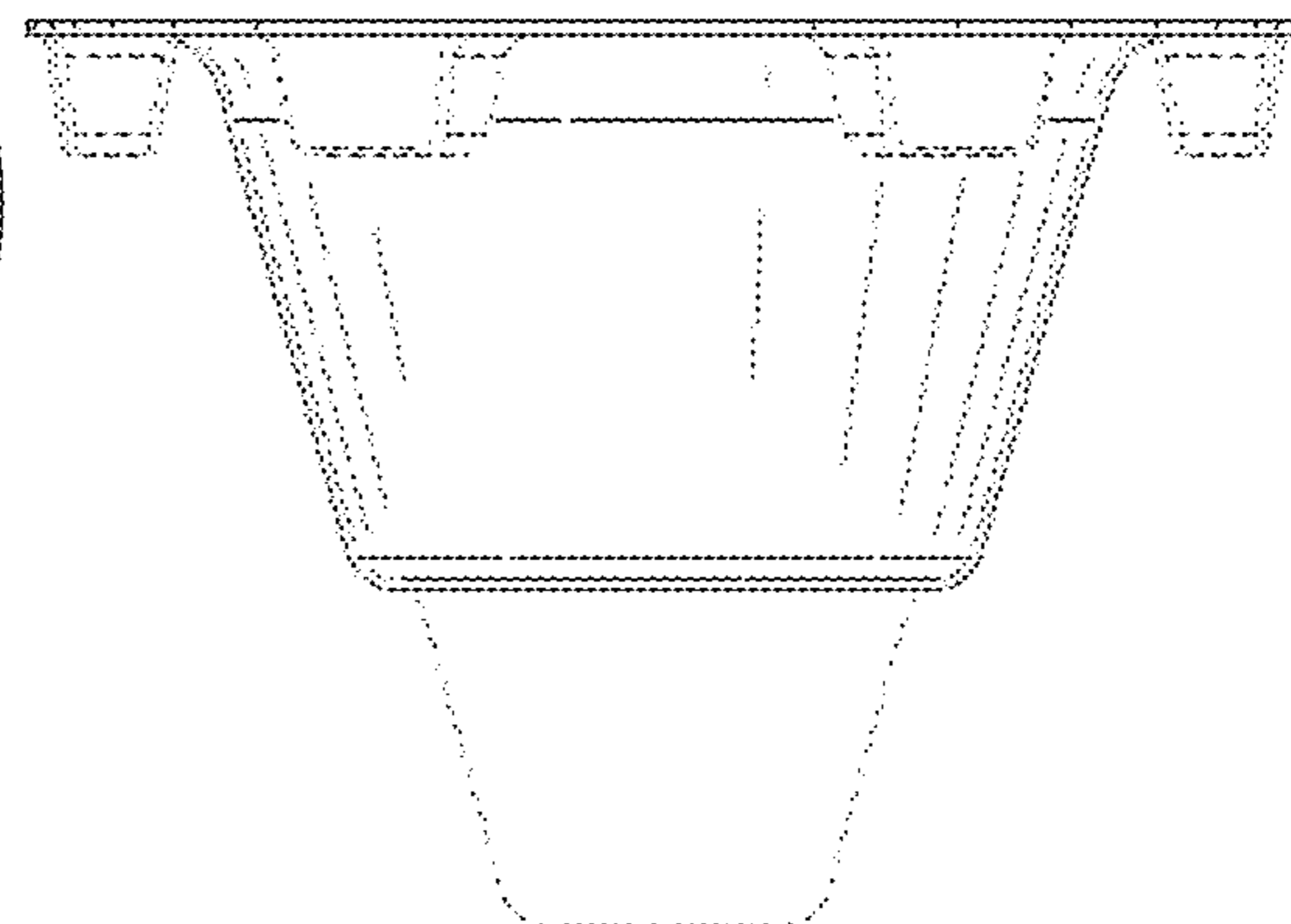
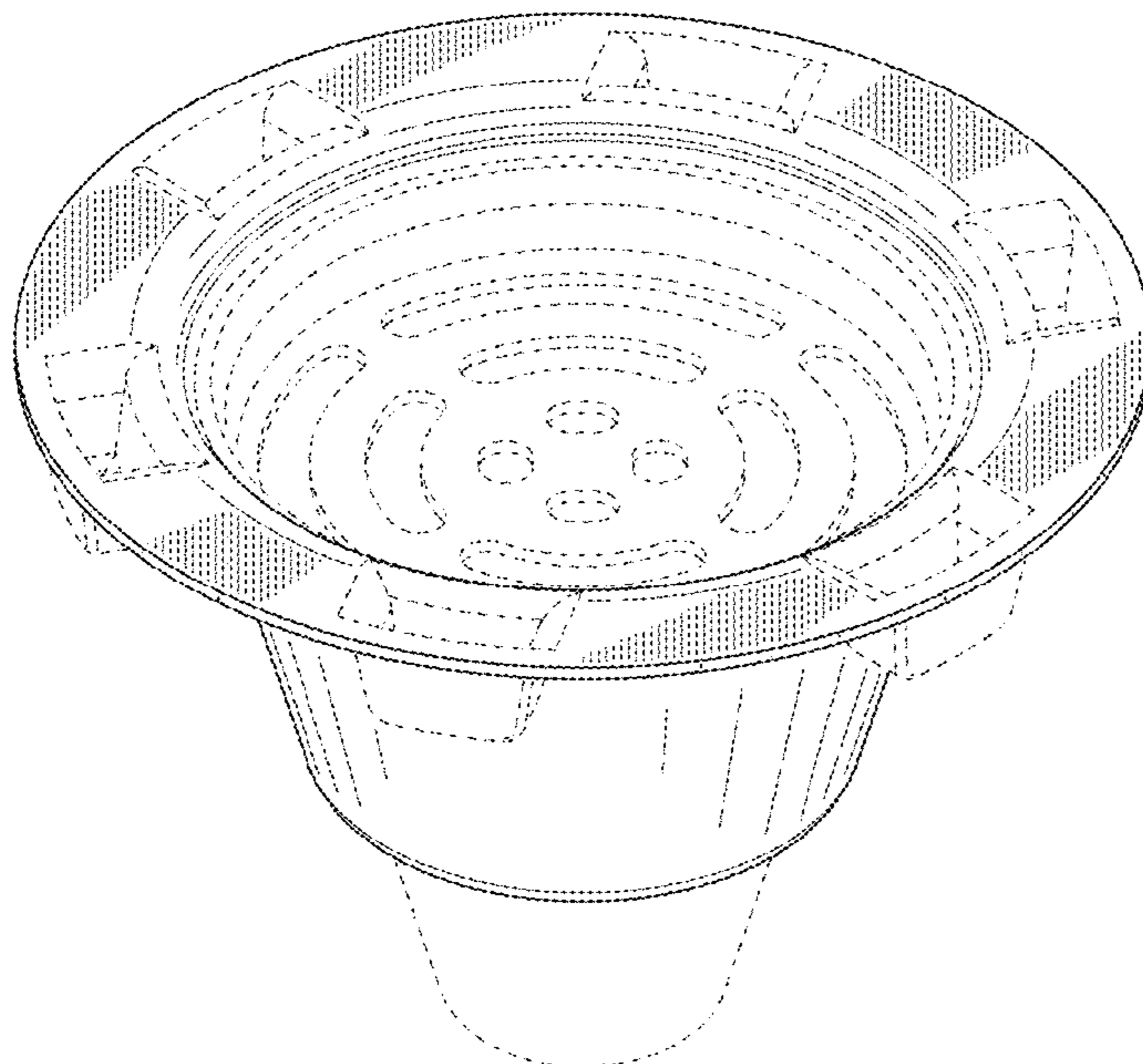
(57) **CLAIM**

The ornamental design for a universal container, as shown and described.

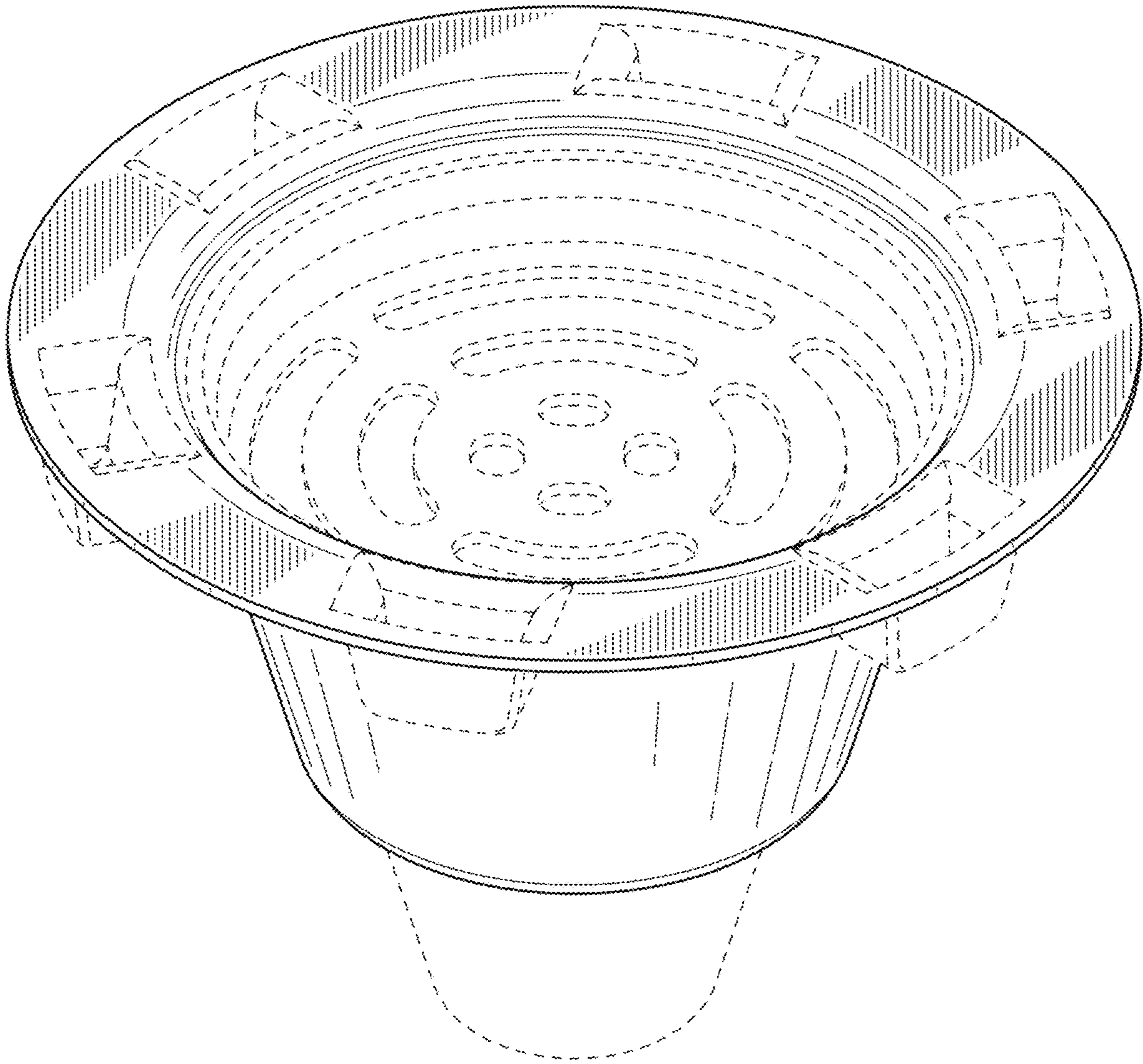
DESCRIPTION

- 1. Universal container
- 1.1 is a Perspective View
- 1.2 is a Left View
- 1.3 is a Right View
- 1.4 is a Top View
- 1.5 is a Bottom View

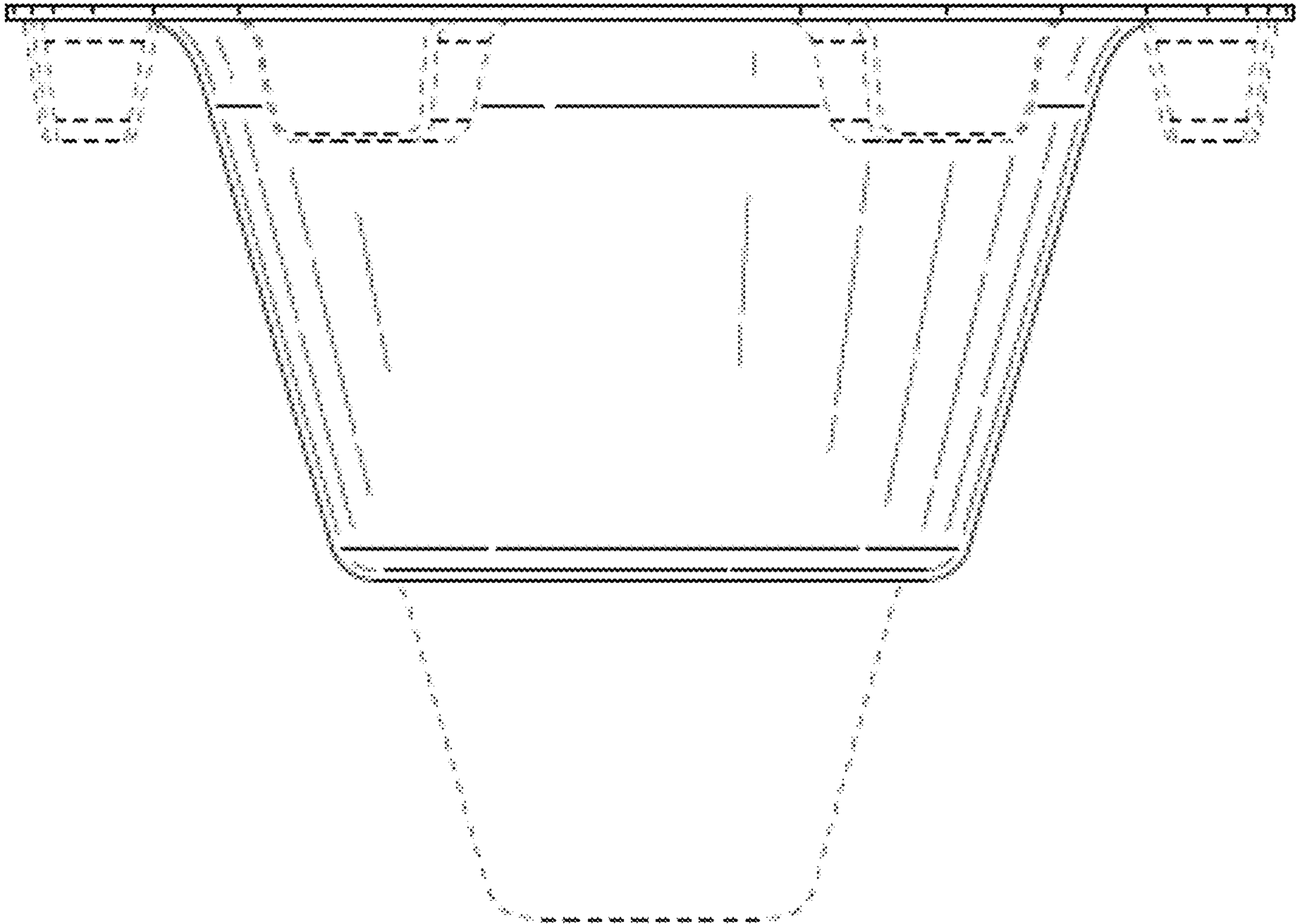
1 Claim, 5 Drawing Sheets



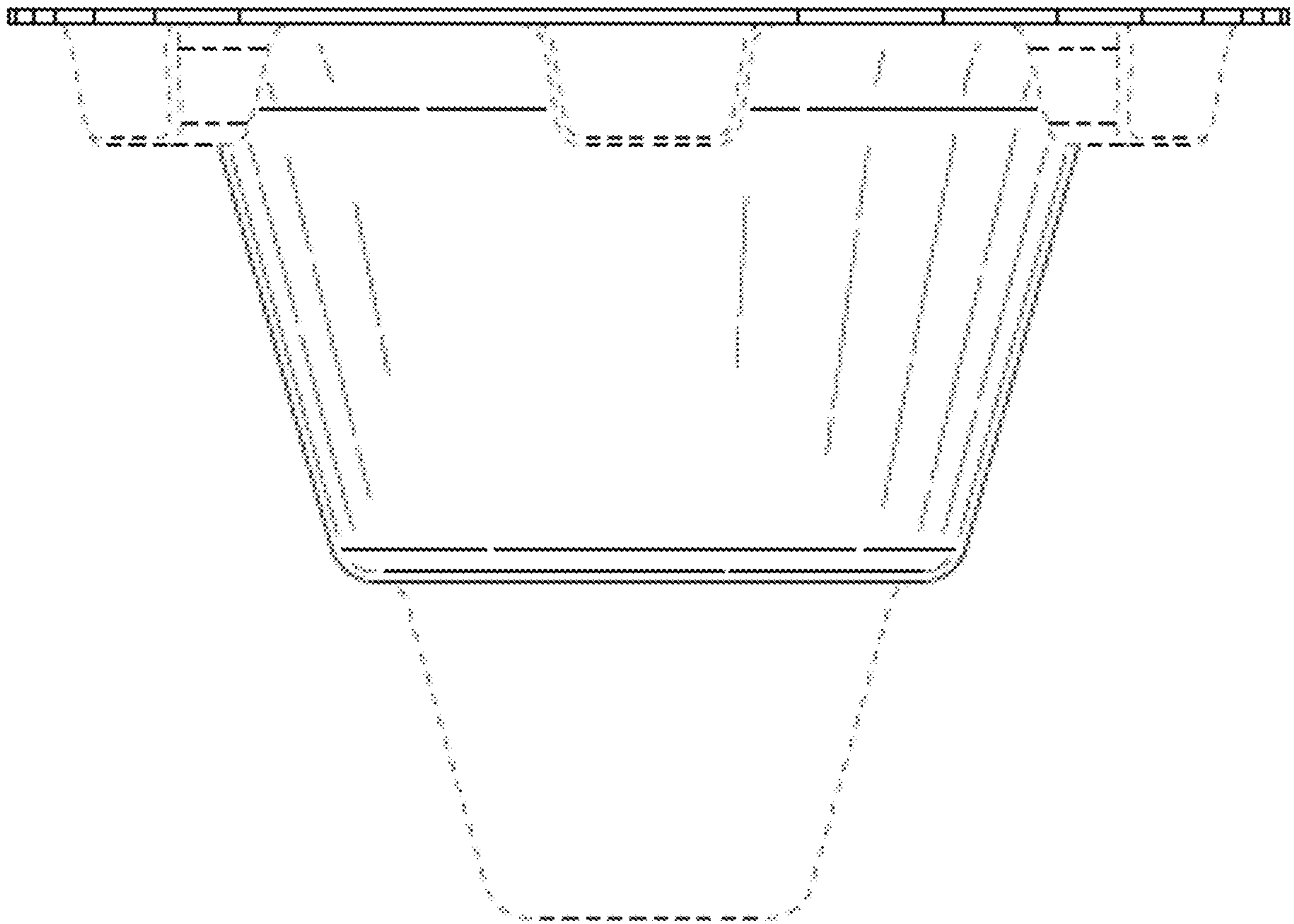
1.1



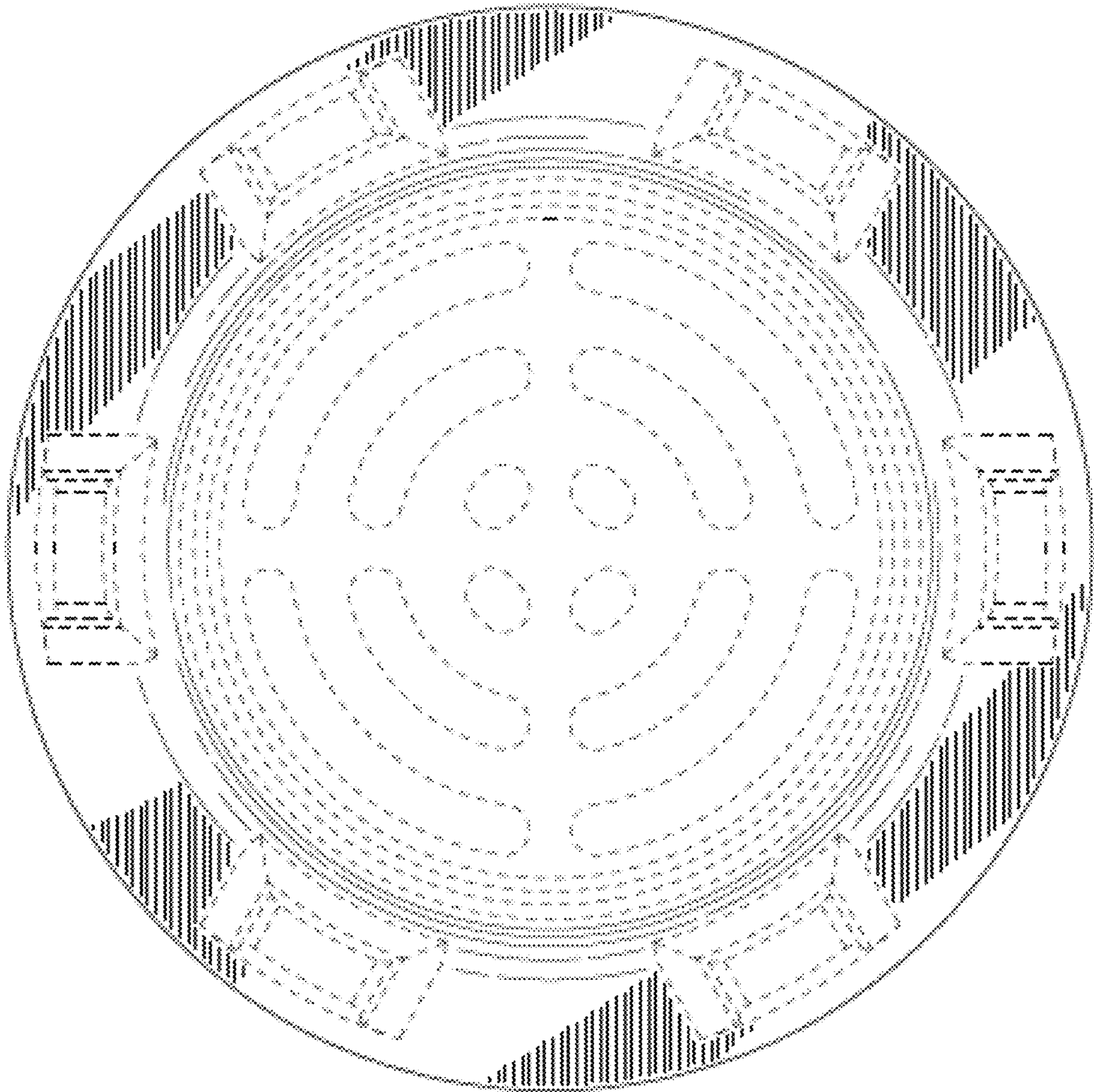
1.2



1.3



1.4



1.5

